

HISTORICAL COLLECTION

WORLD WAR II



BELL® P-39D AIRACOBRA

PLACE OF ORIGIN - UNITED STATES
 IN SERVICE - 1941 - 1945
 ROLE - FIGHTER
 CREW - 1
 WINGSPAN - 10,36m (34')
 LENGTH - 9,2m (30' 2")
 HEIGHT - 3,61m (11' 10")
 EMPTY WEIGHT - 2 480KG (5 460LB)
 ENGINE - ALLISON V1710-35, 1150HP (845KW)
 RANGE - 1 290KM (800MI)
 RATE OF CLIMB - 19M/S (3 800FT/MIN)
 MAXIMUM FLIGHT LEVEL - 9 785M (32 100FT)
 ARMAMENT - 1x 37MM M4 CANNON,
 4x BROWNING 7,62MM (.30) MG,
 BOMB OR DROP TANK
 MAXIMUM SPEED - 592KM/H (368MPH)



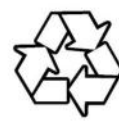
OFFICIAL LICENSED PRODUCT
 68-11121-43210

5746

Bell®, emblems, logos, and body designs are trademarks of Textron Innovations Inc. and are used under license by Cobi.

PAD PRINTED
NO STICKERS

Printed in EU



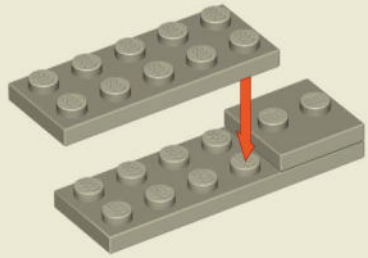
WARNING: CHOKING HAZARD-
 Toy contains small parts.
 Not for children under 3 years.

361 1

BELL® P-39D AIRACOBRA

SCALE 1:32

1



x1

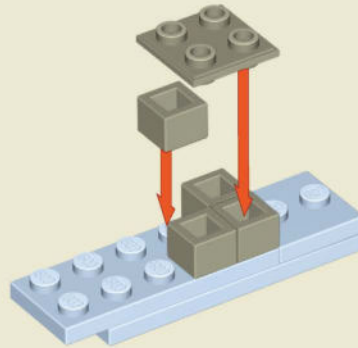


x1



x1

2

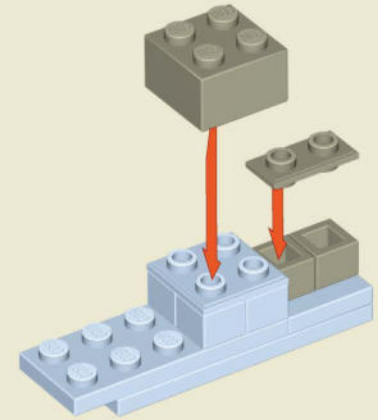


x4



x1

3



x2

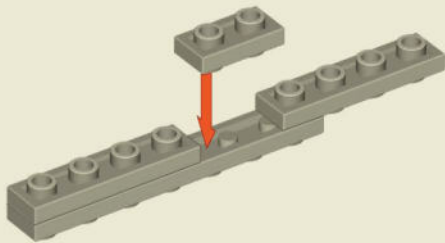


x1



x1

4



x1

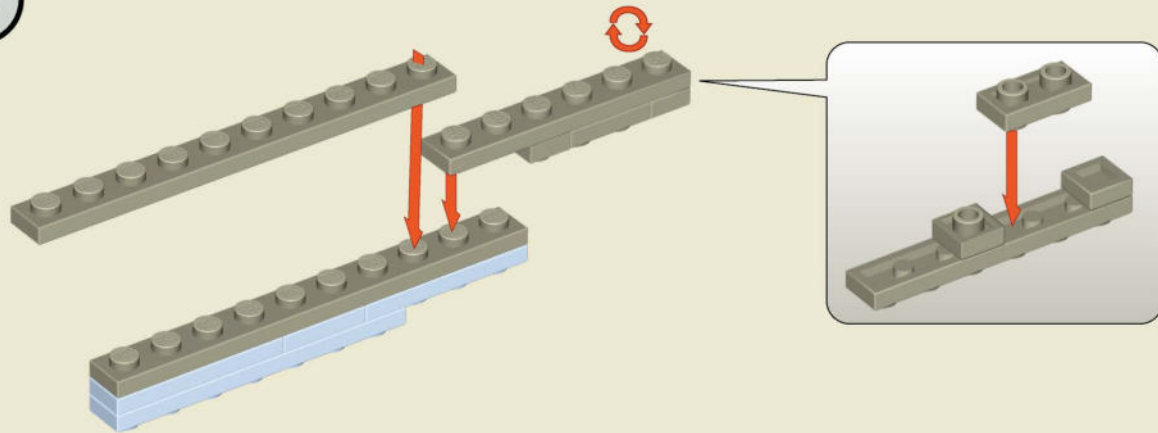


x2



x1

5



x2



x1



x1

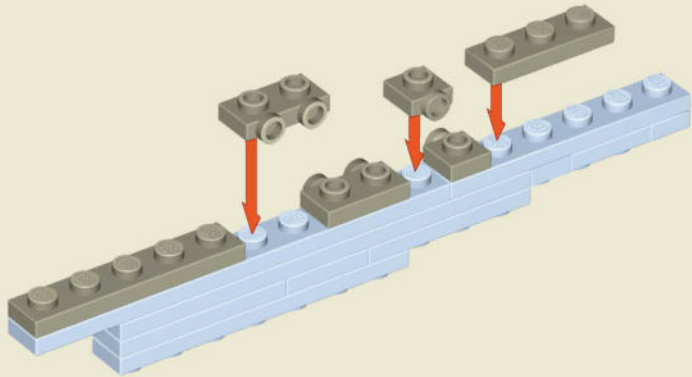


x1

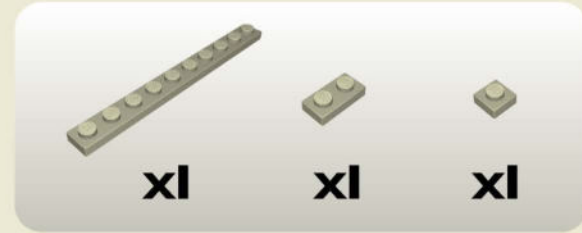
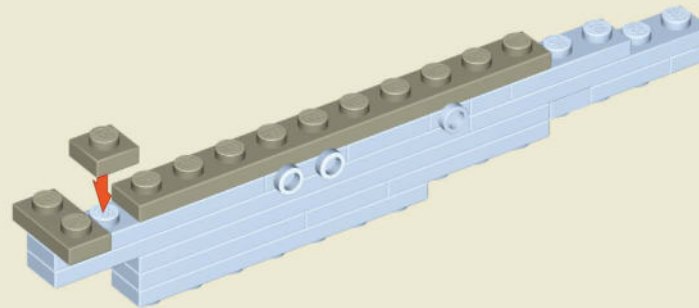


x1

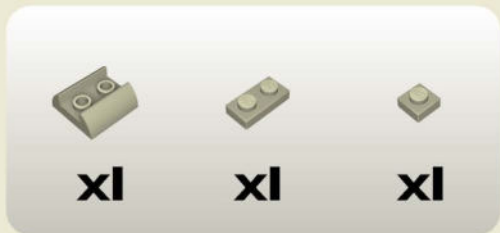
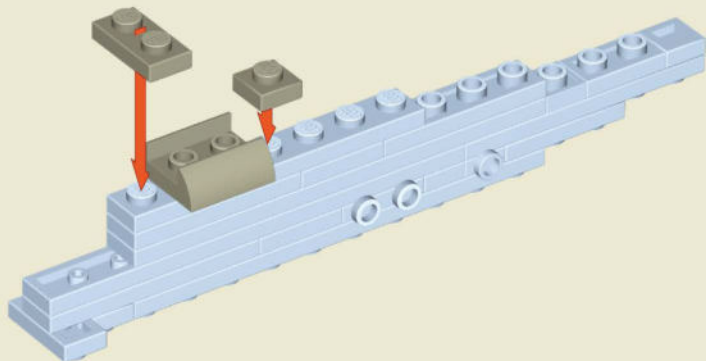
6



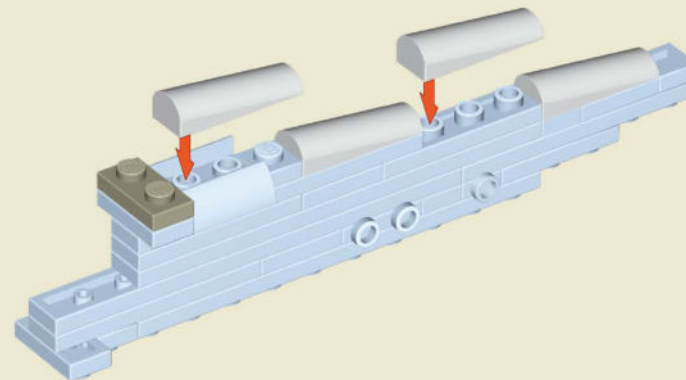
7



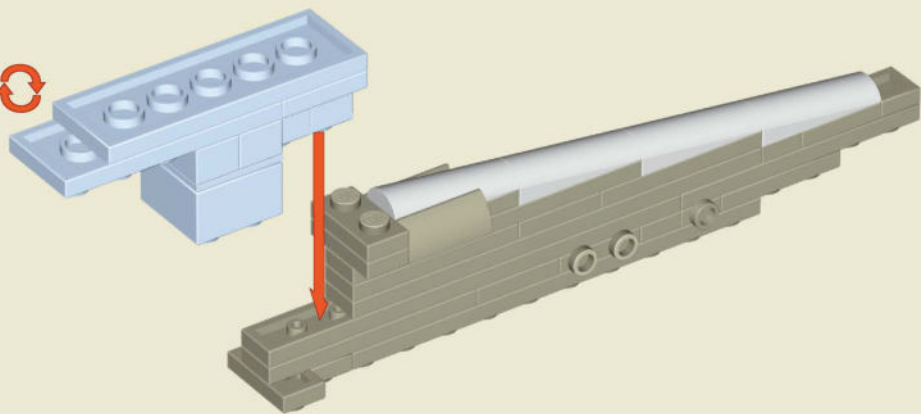
8



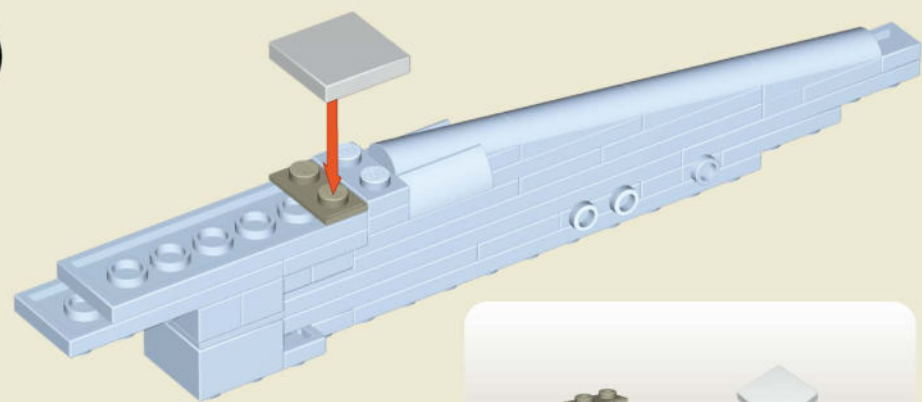
9



10



11



x1

x1

BE CAREFUL: NOTICE THE DIFFERENCE

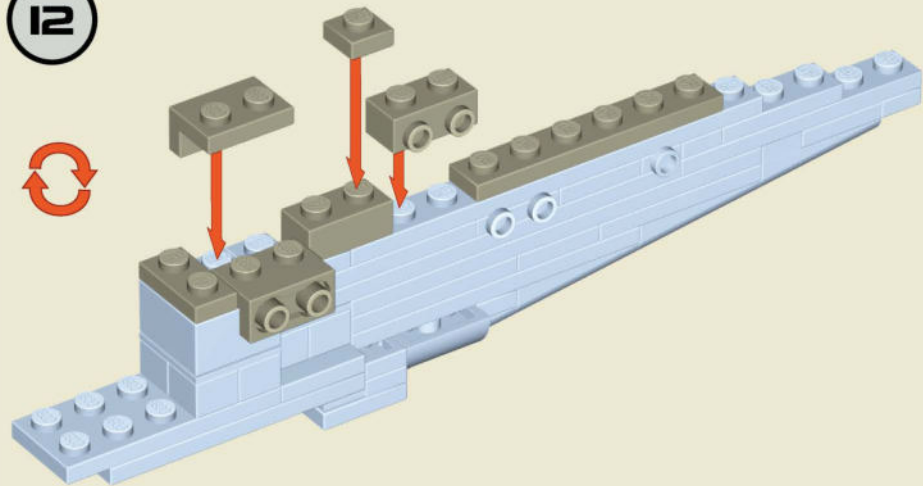
A



B



12



x1

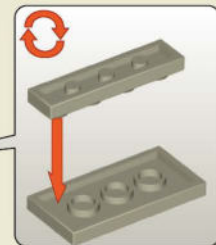
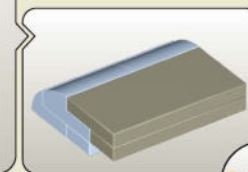
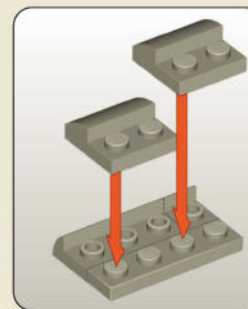
x1

x2

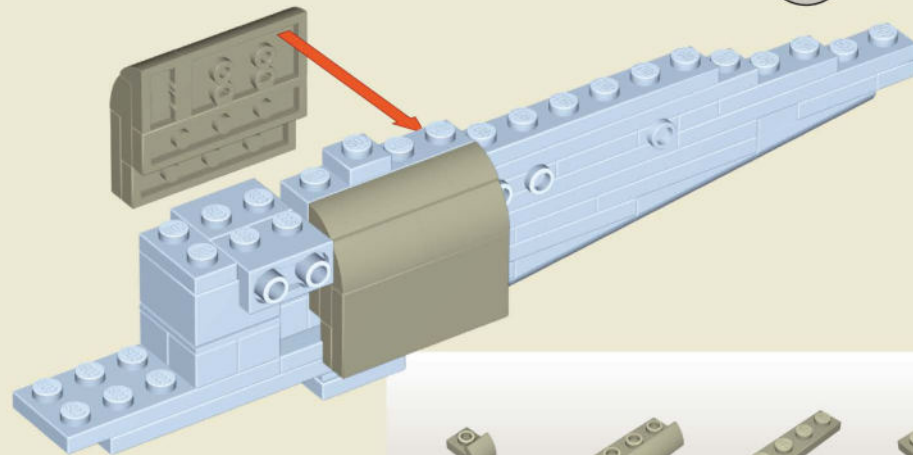
x2

x1

13



x2



x2

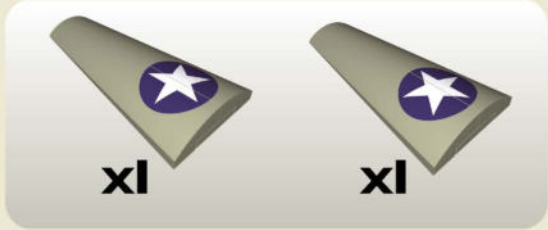
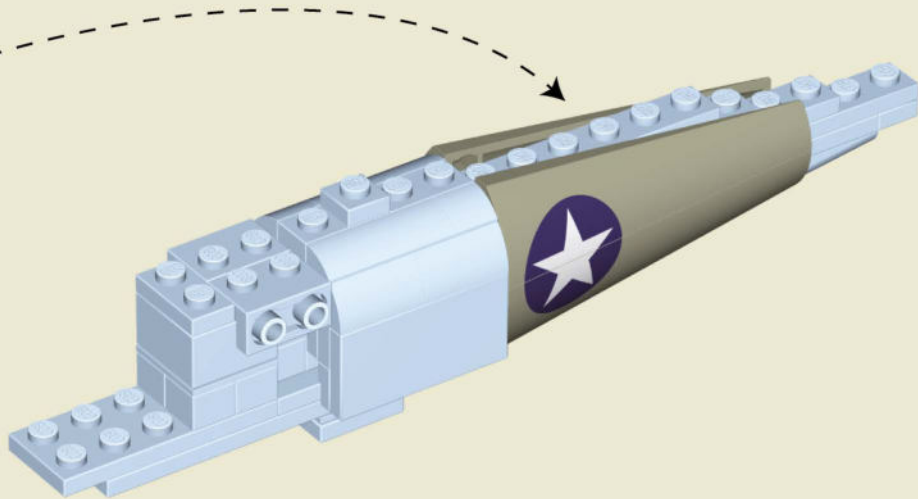
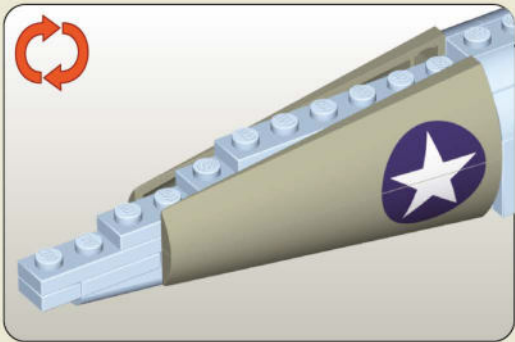
x2

x4

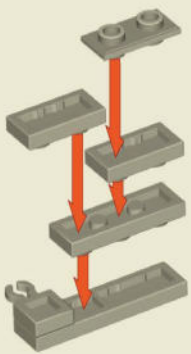
x4

x2

14



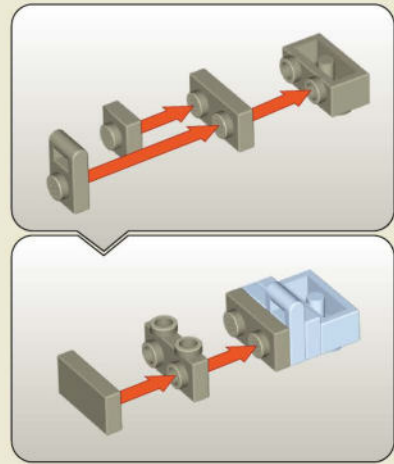
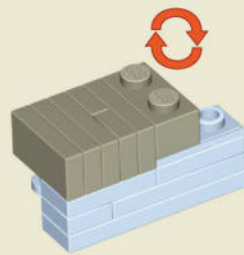
15



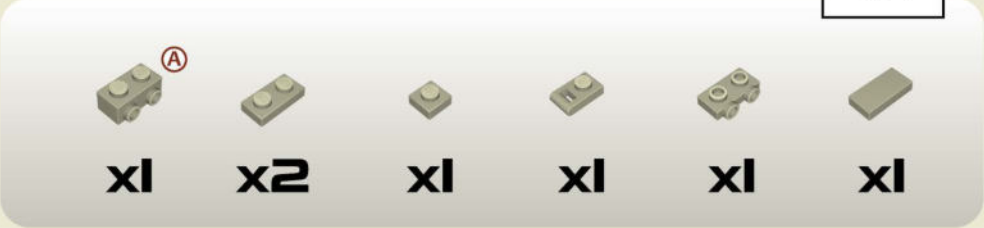
1:1



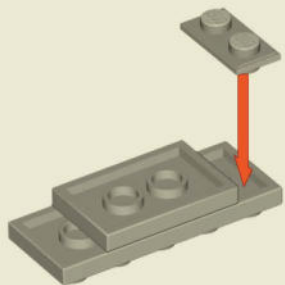
16



1:1



17



x1

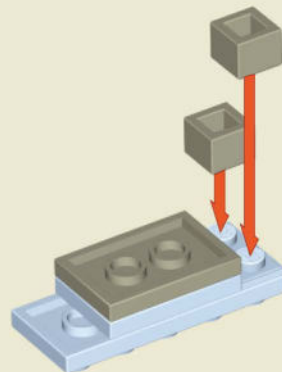


x1



x1

18

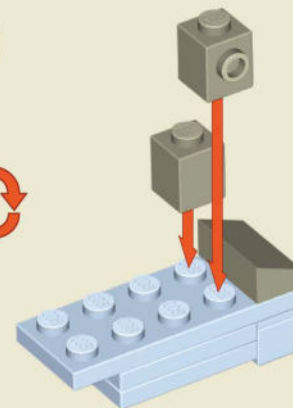


x1



x2

19

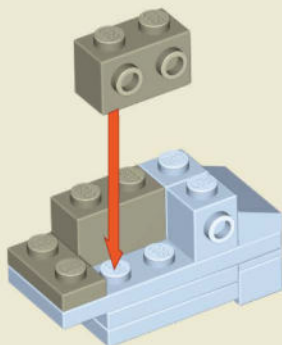


x1



x2

20

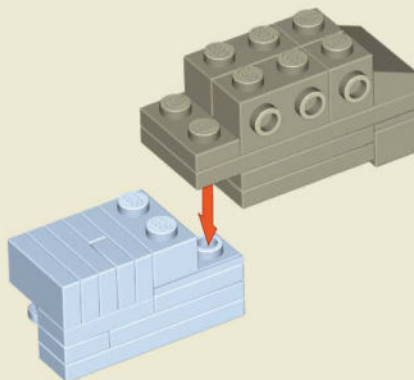


x1

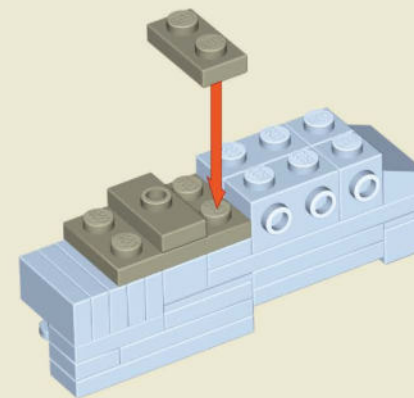


x2

21



22



x1

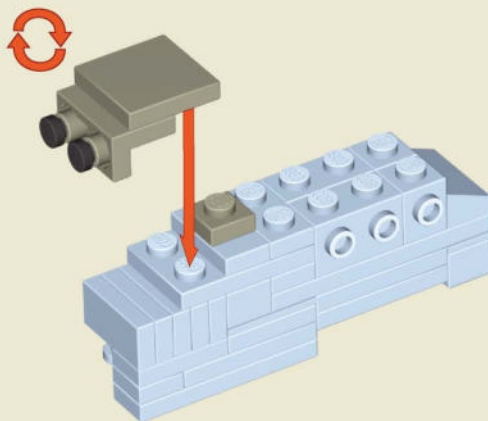
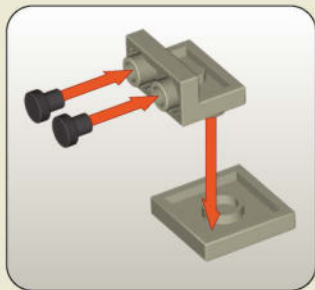






x1



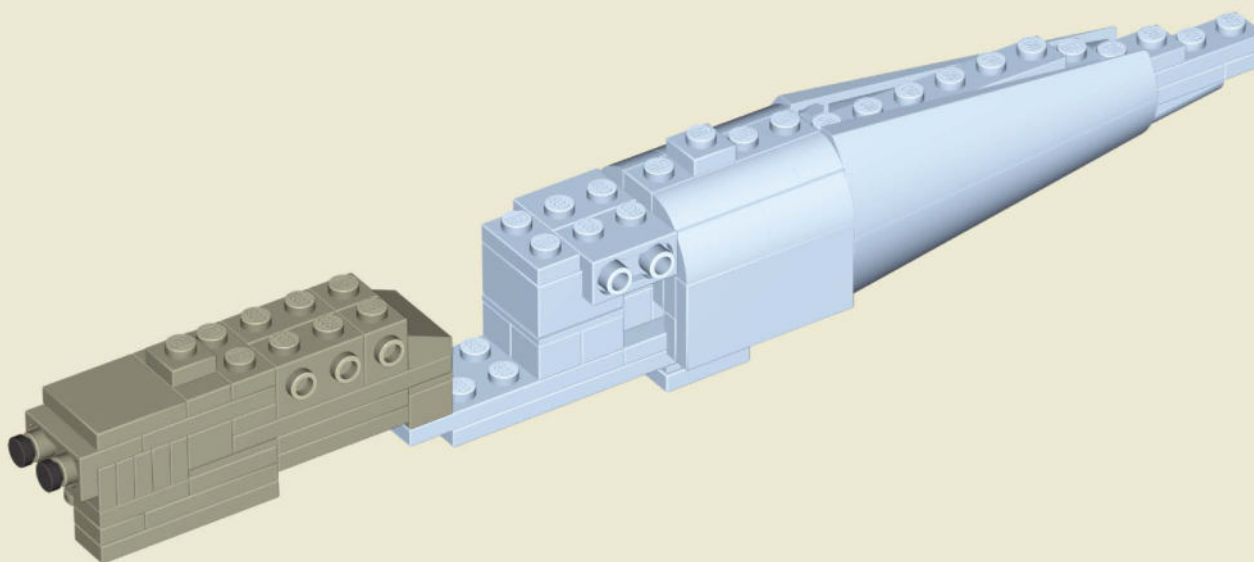
x1

23

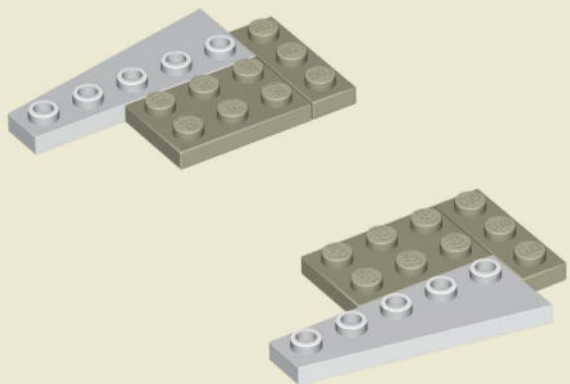


-  x1
-  x1
-  x1
-  x2

24



25



x1



x1

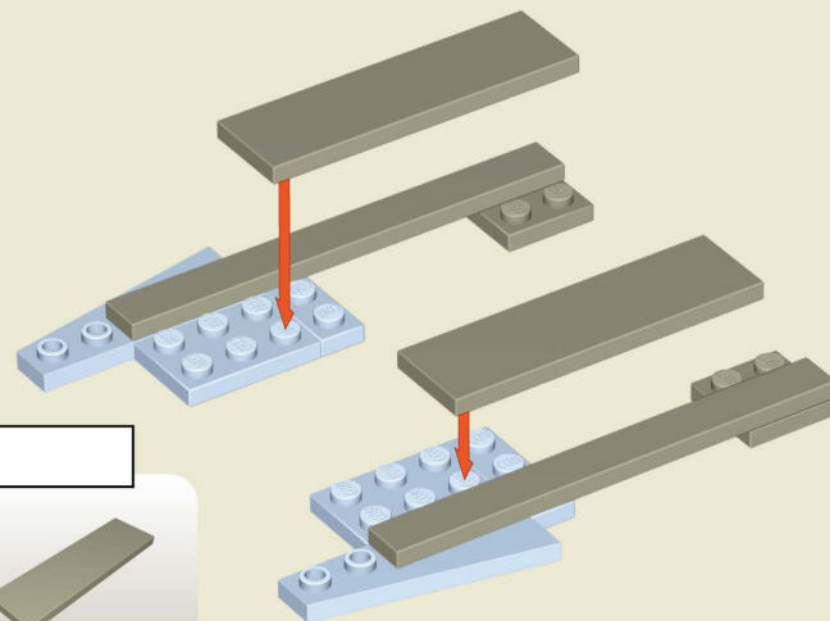


x2



x2

26



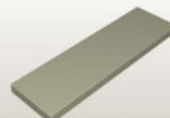
1:1



x2

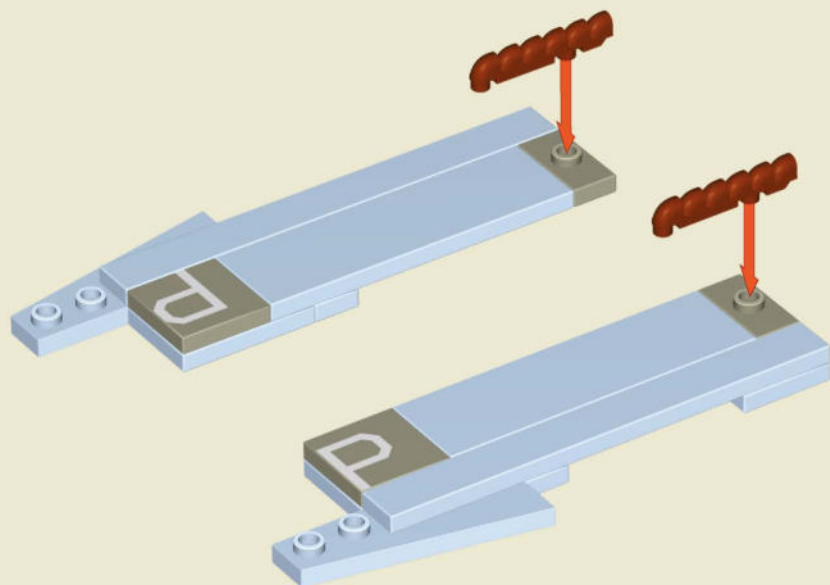


x2



x2

27



x1



x1

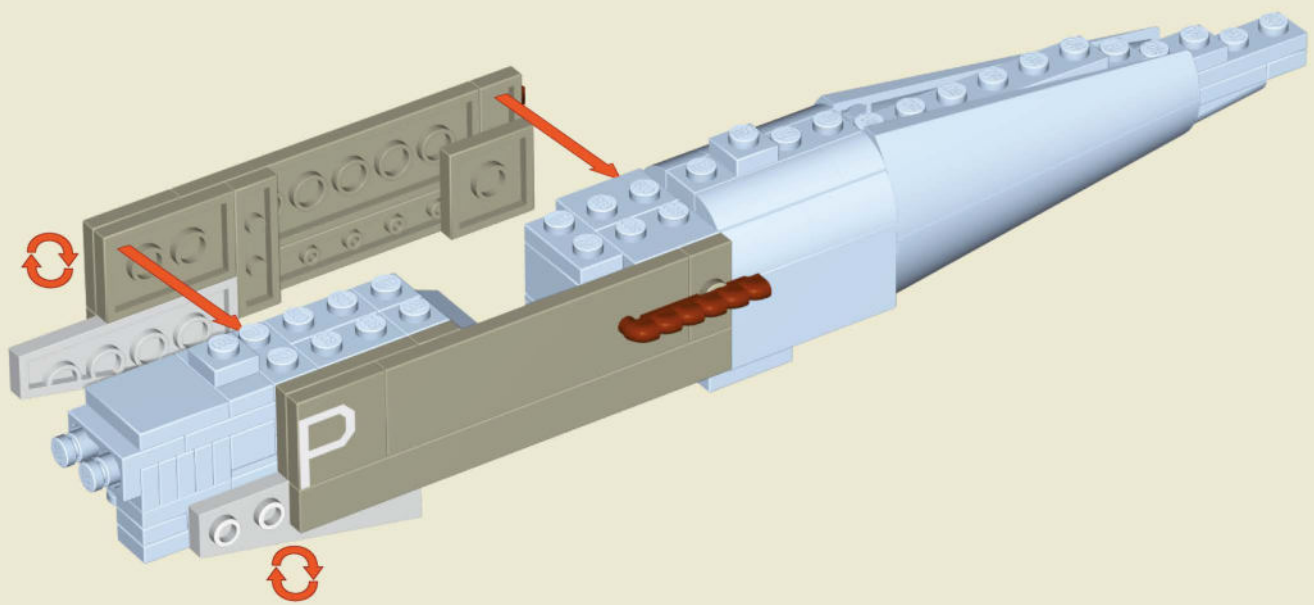


x2

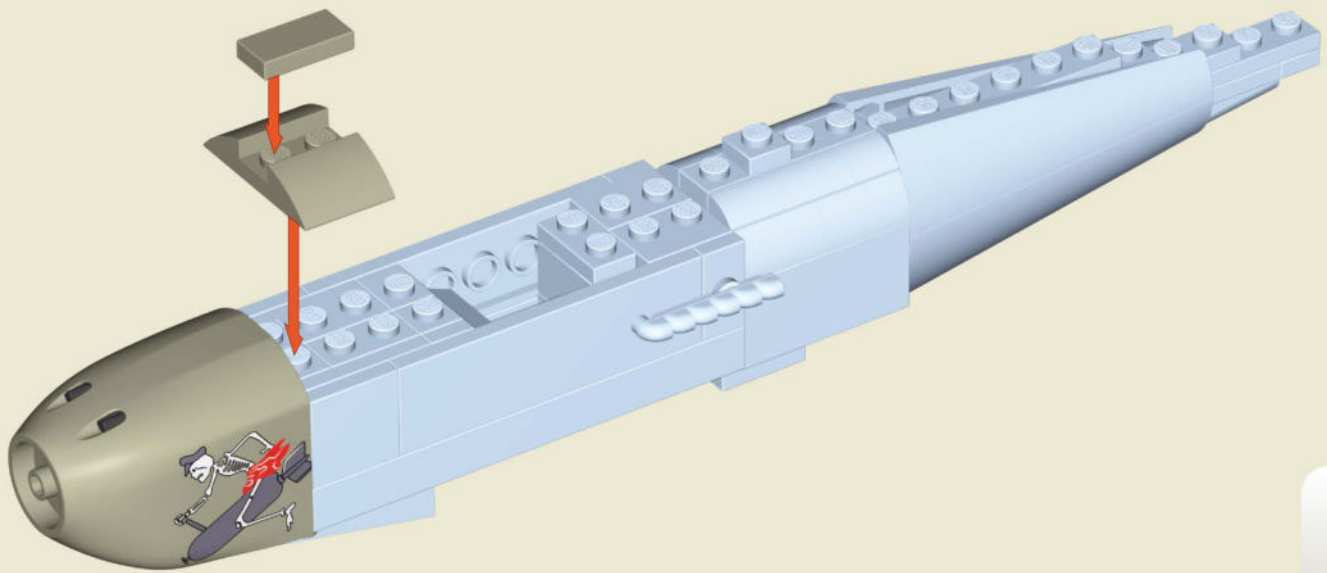



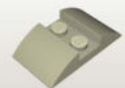

x2

28

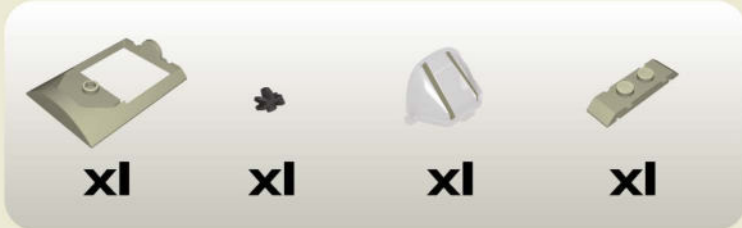
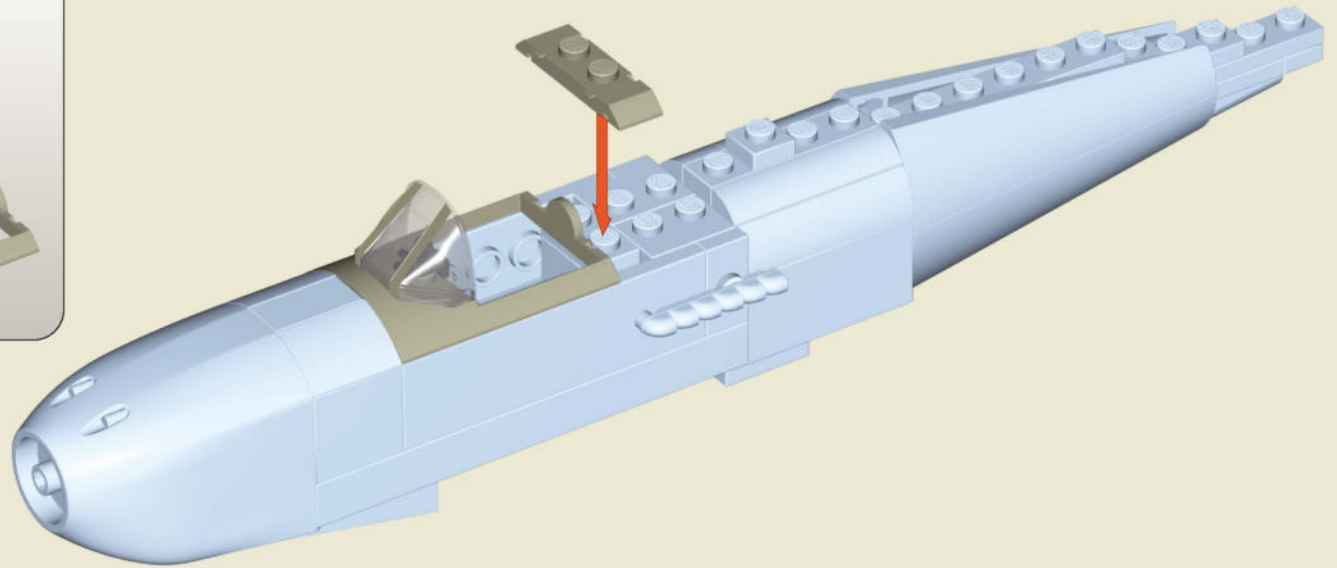
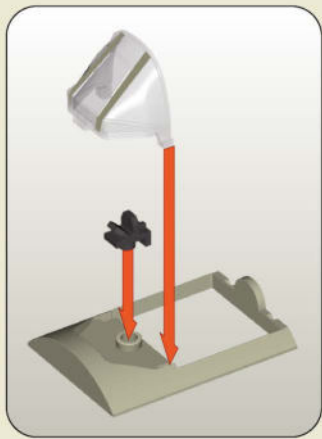


29

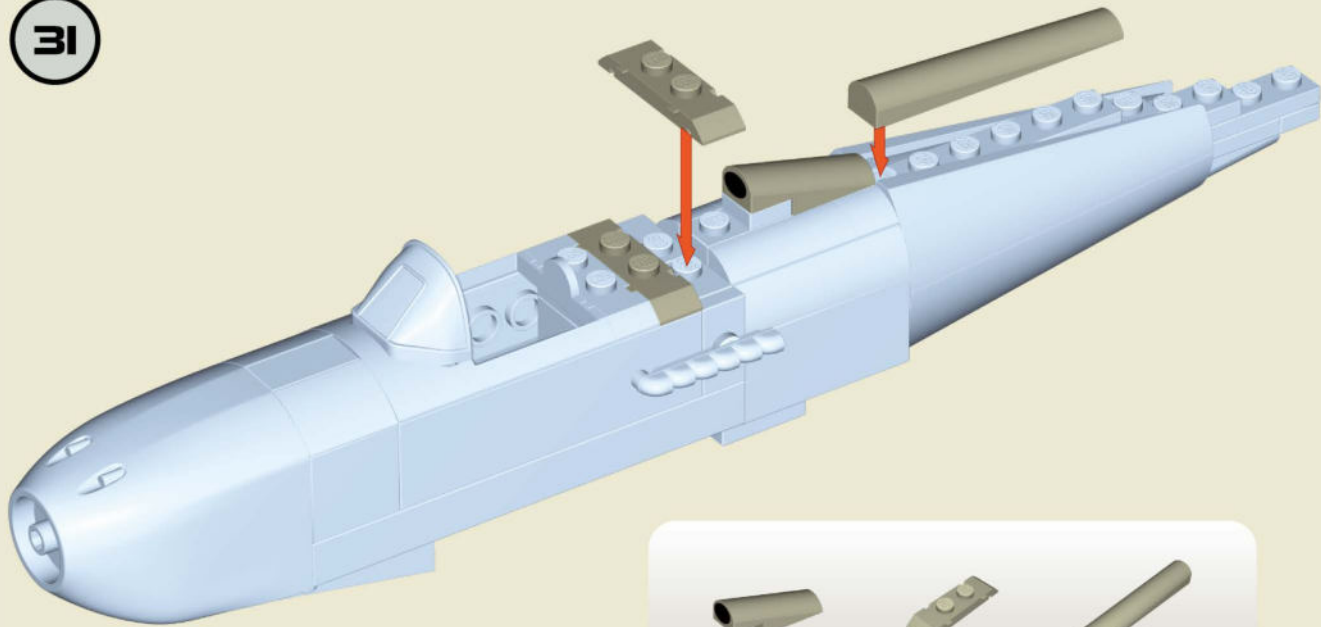


			1:1
x1	x1	x1	

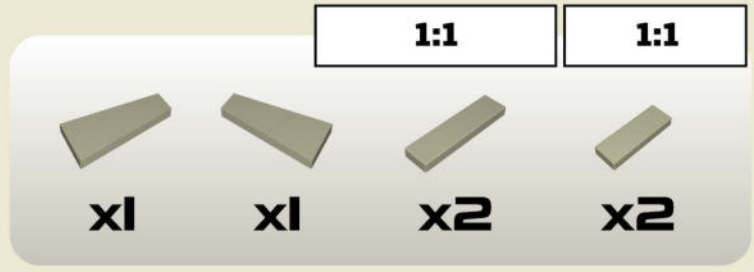
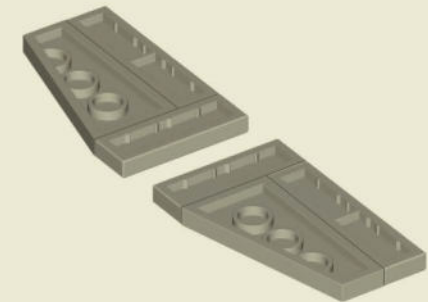
30



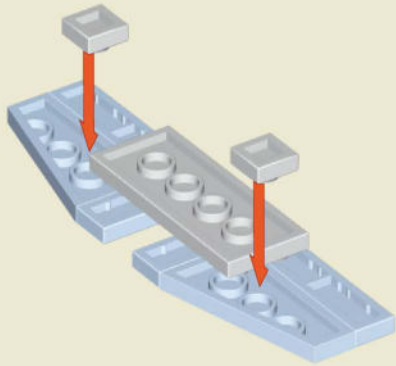
31



32



33

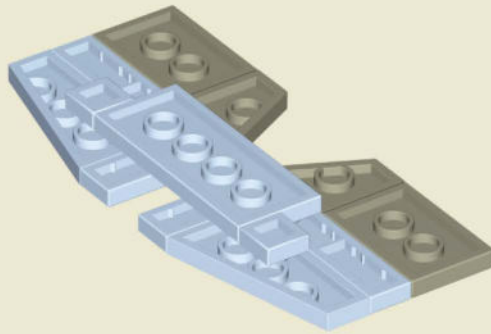


x1



x2

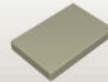
34



x1

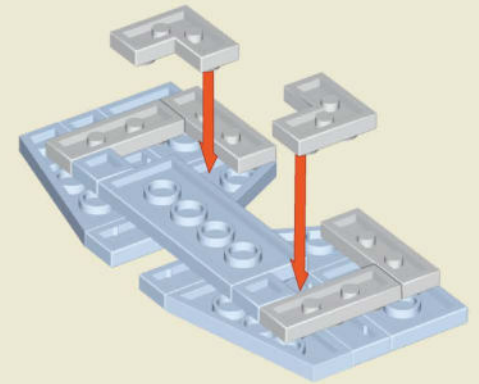


x1



x2

35

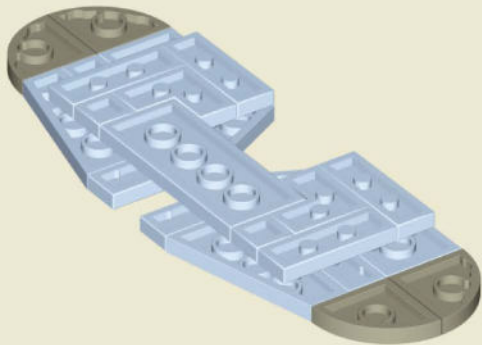


x2



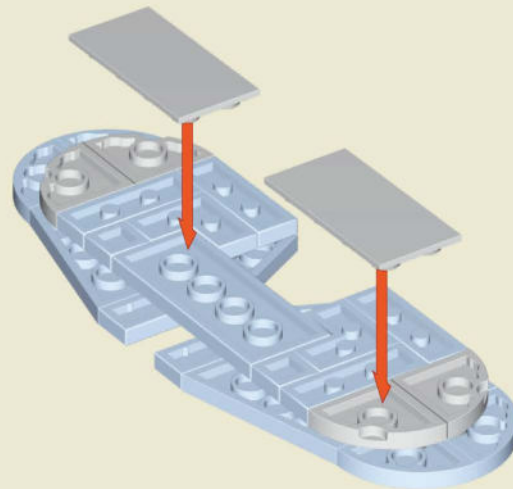
x4

36



x4

37

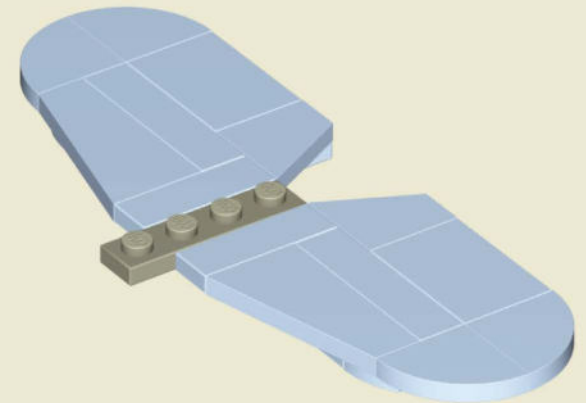


x4



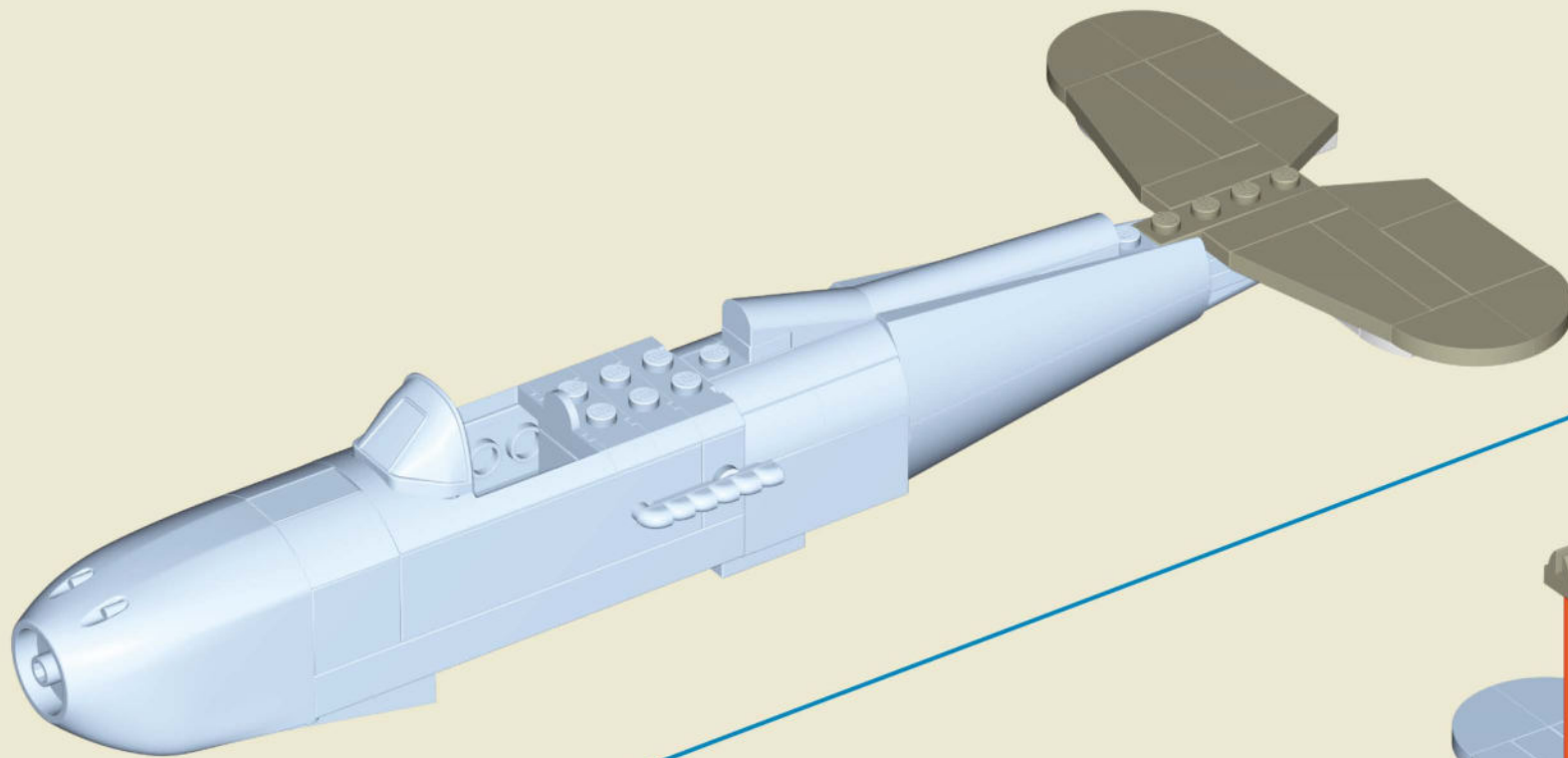
x2

38

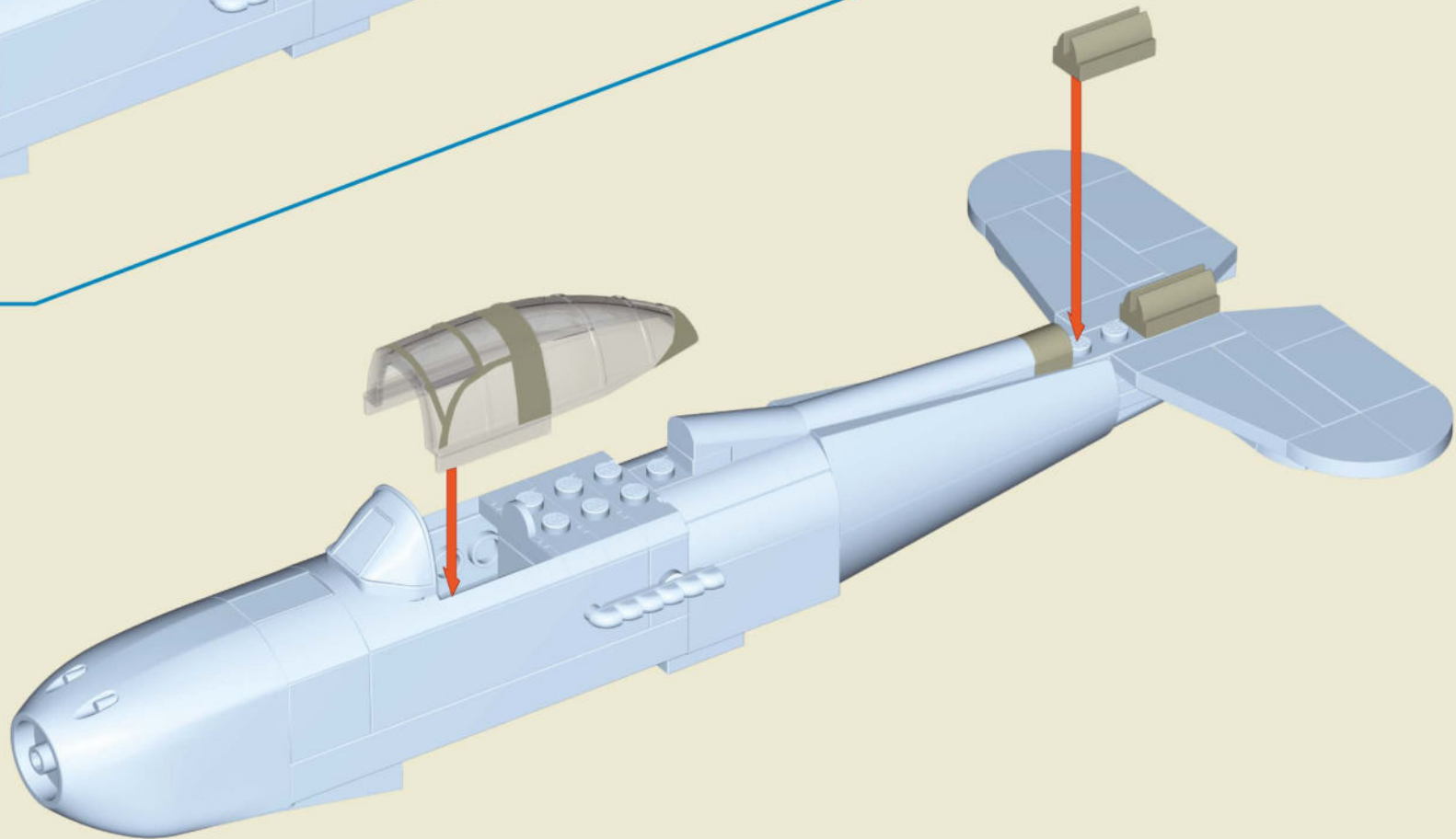


x1


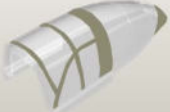
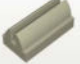
39



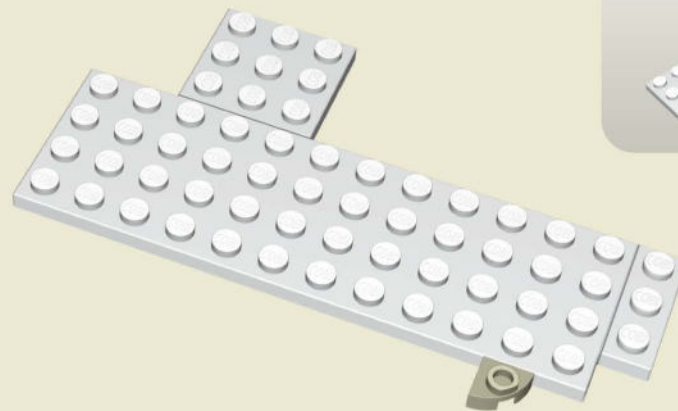
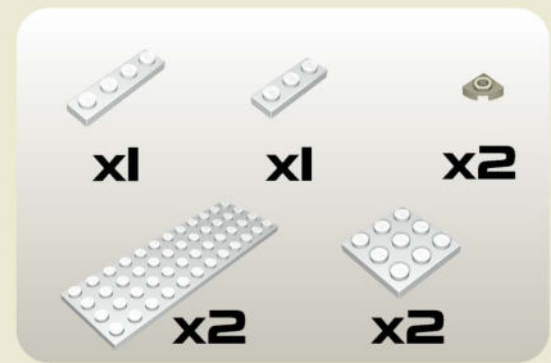
40



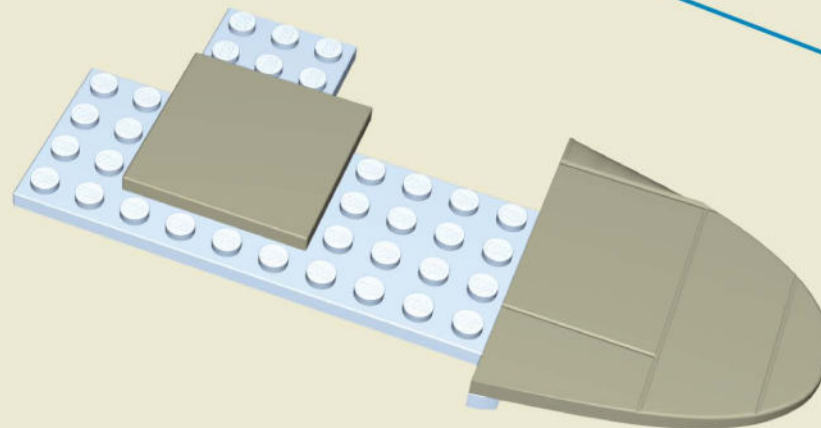
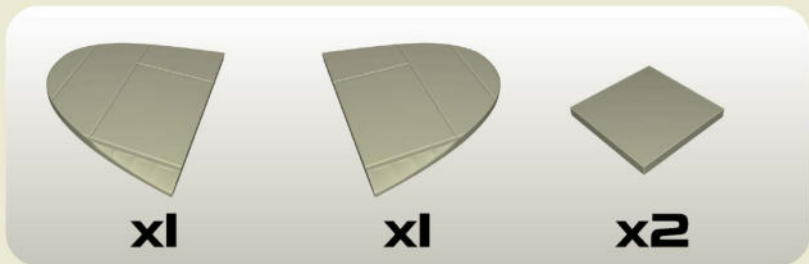
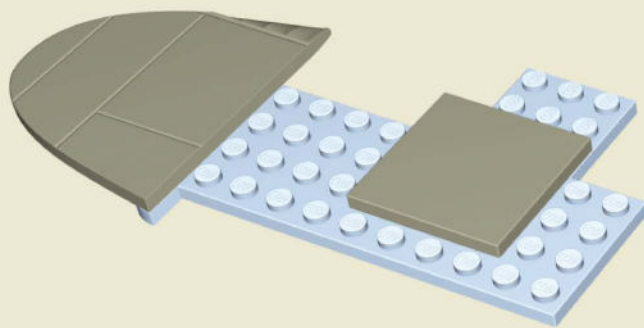
Parts list for step 40:

-  x1
-  x1
-  x2

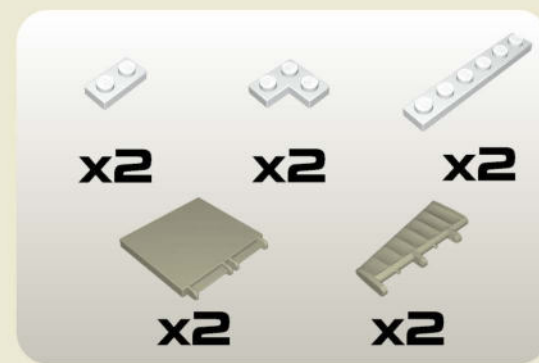
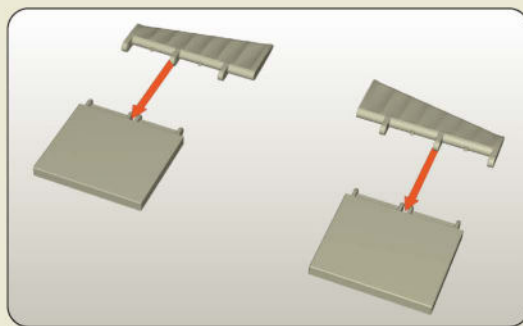
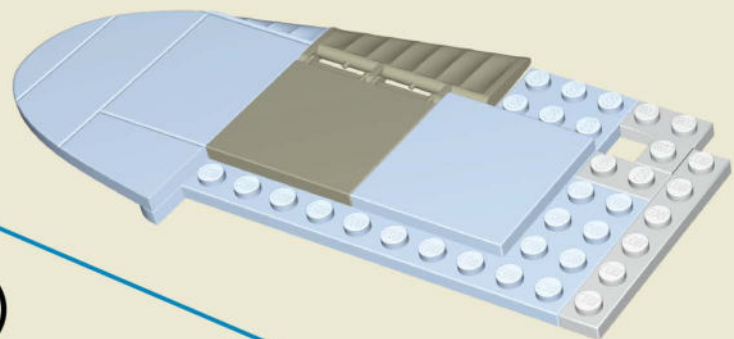
41



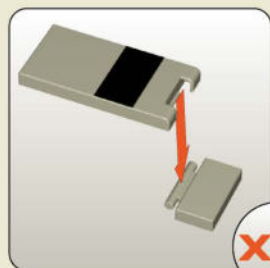
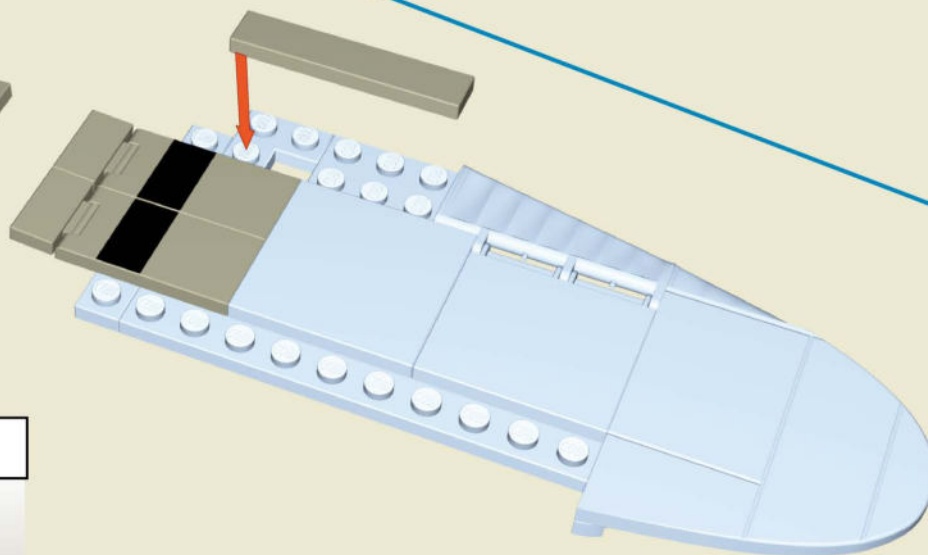
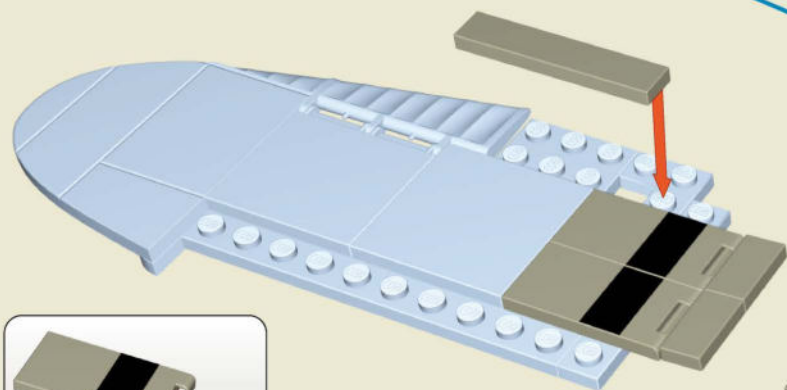
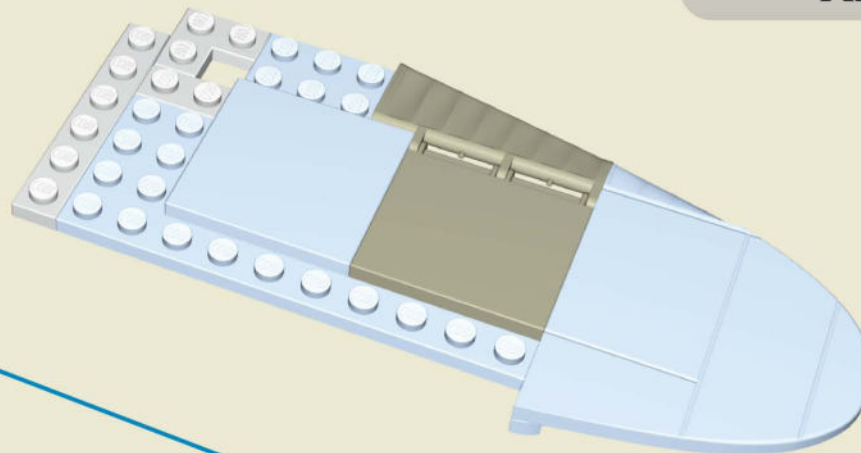
42



43



44

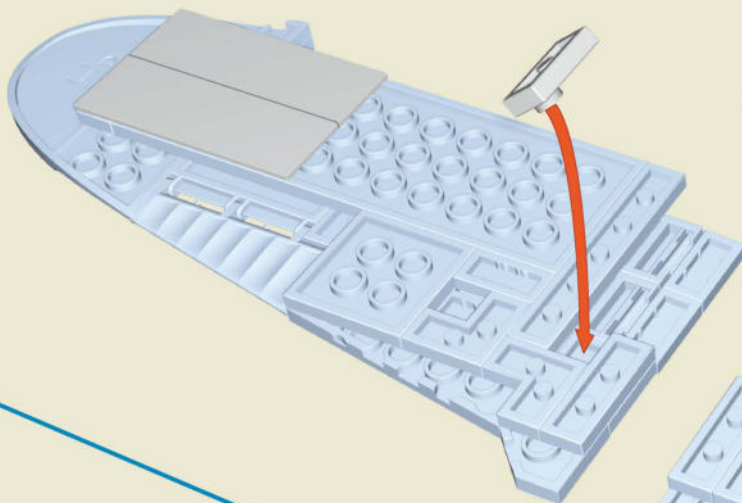


x4

1:1

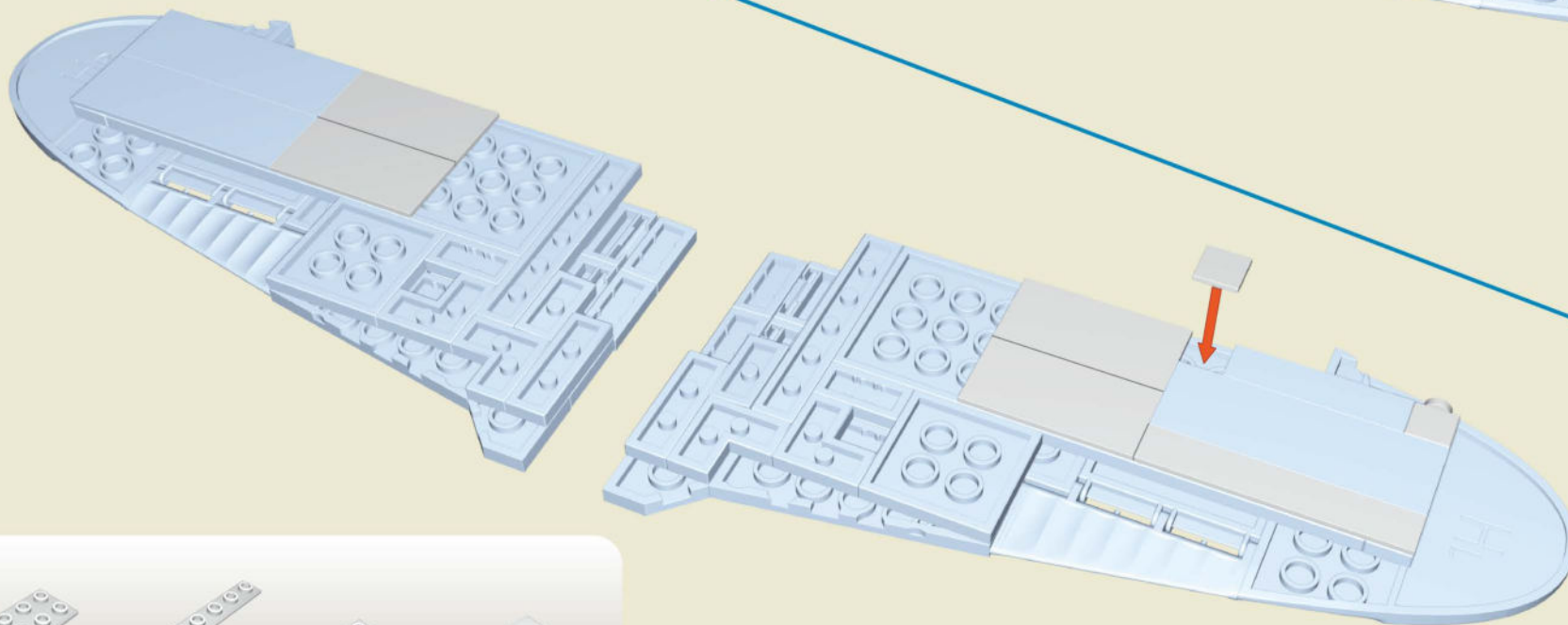
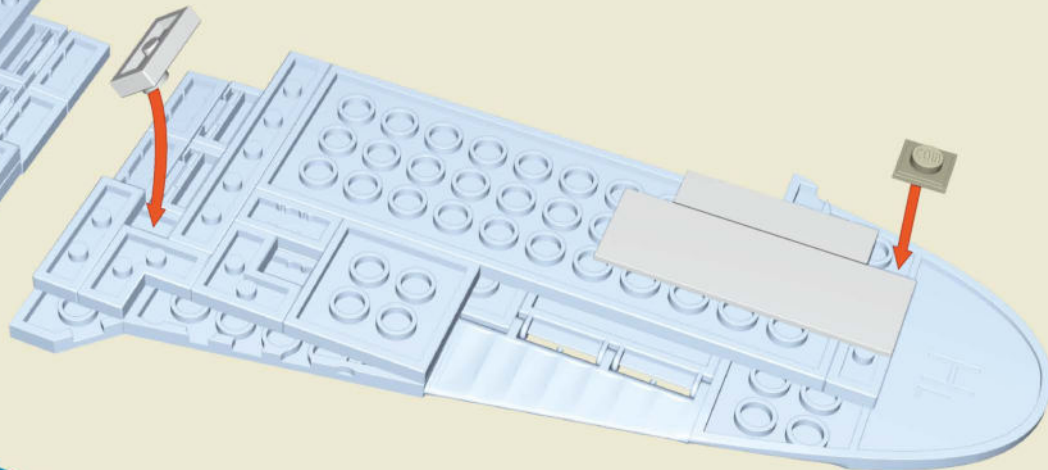


47









x3	x1	x2	x1

48

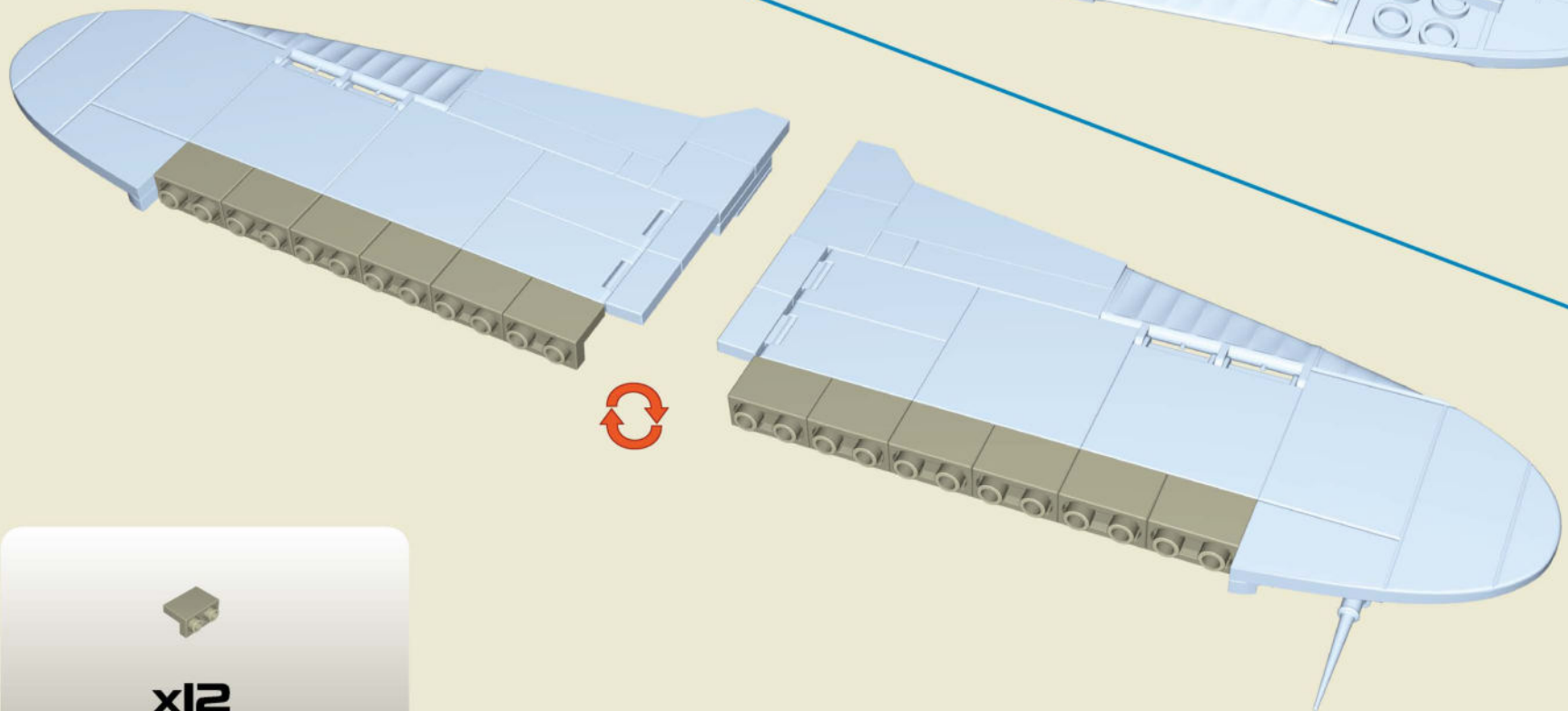
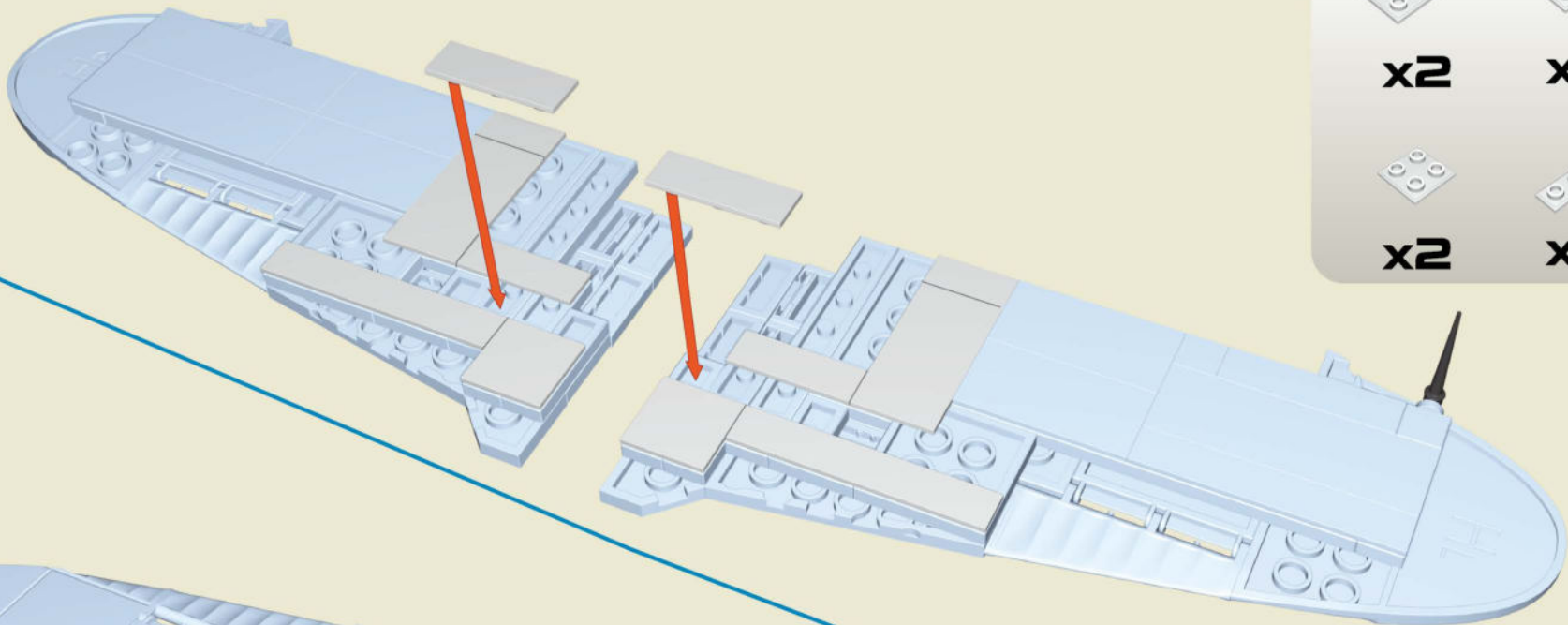


x4	x1	x1	x1

49

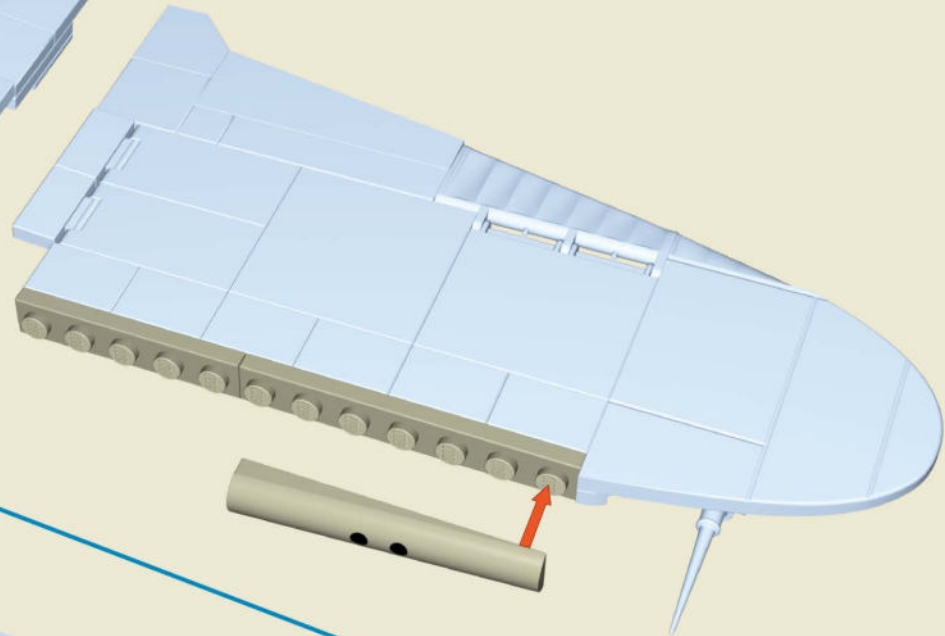
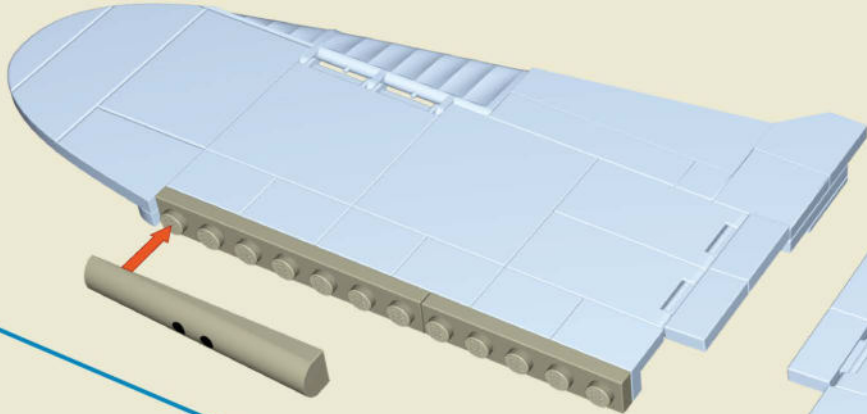
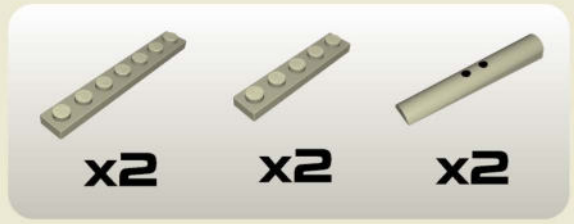
		
x2	x2	x2
		
x2	x4	x1

50

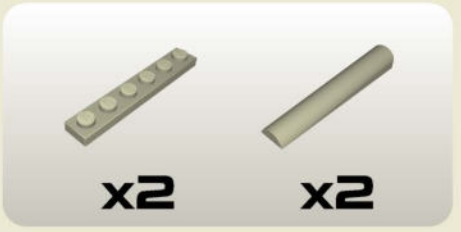
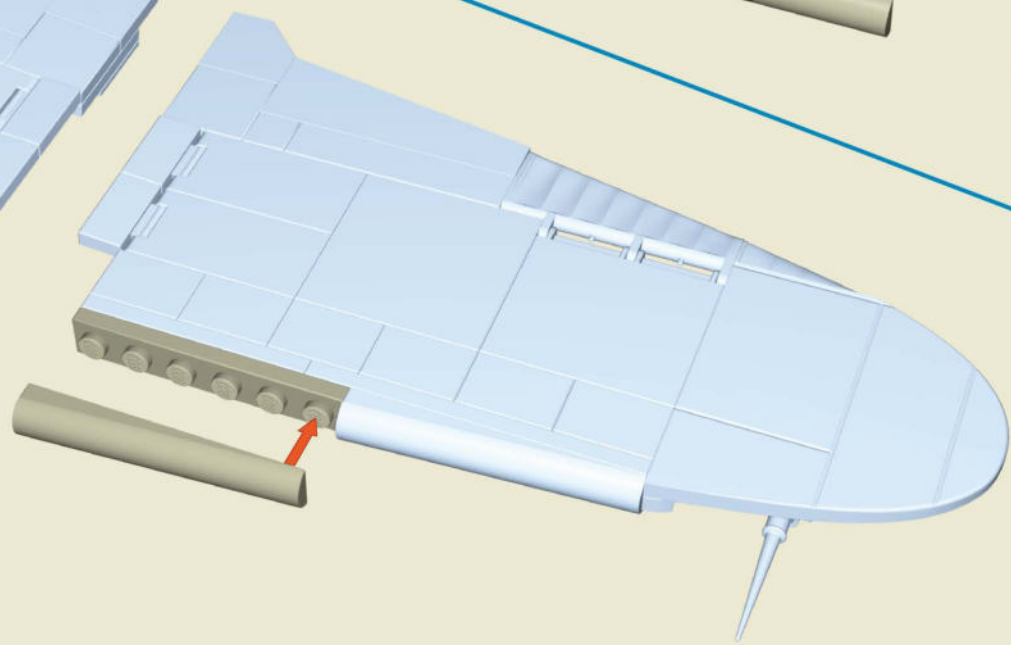
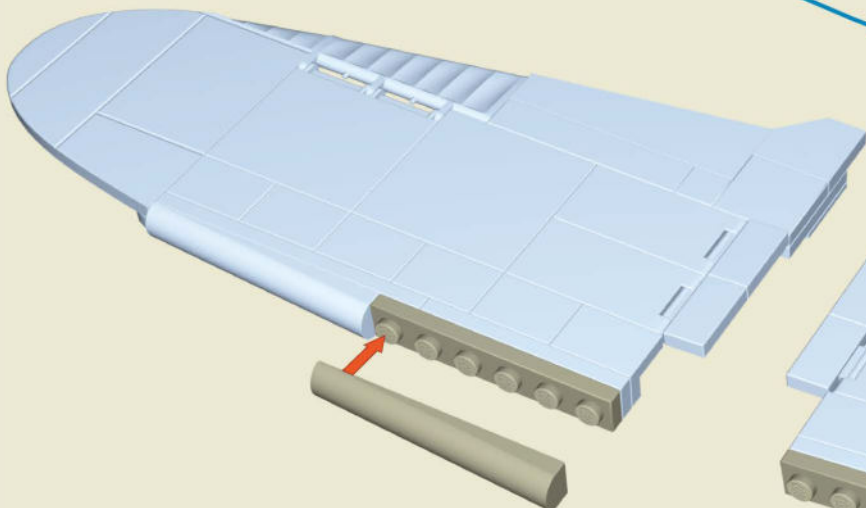



x12

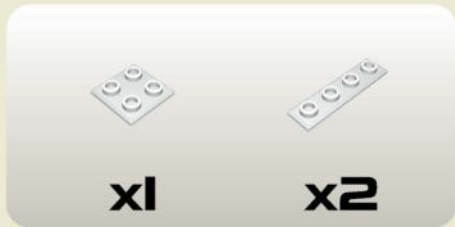
51



52



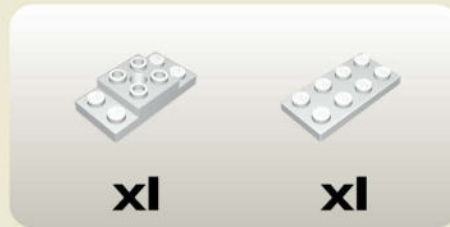
53



x1

x2

54



x1

x1

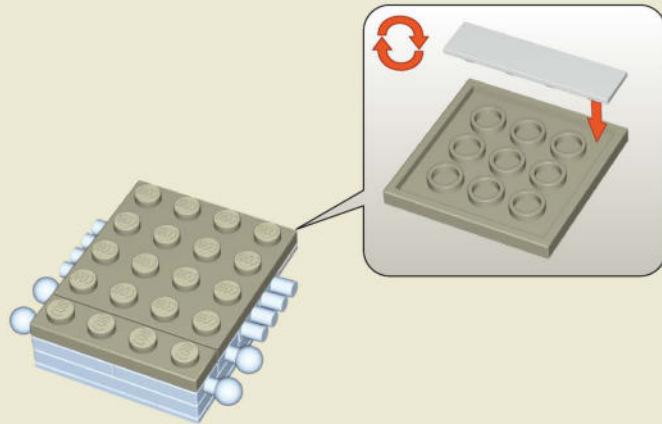
55



x4

x4

56

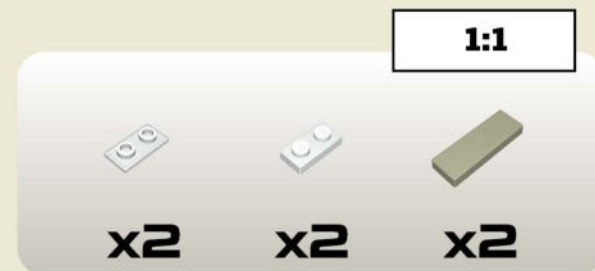
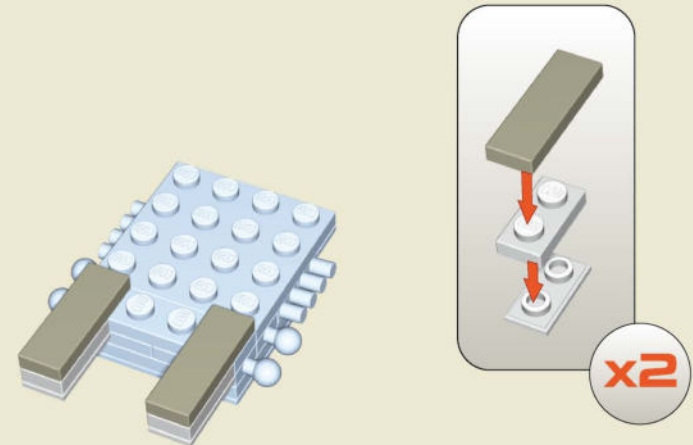


x1

x1

x1

57

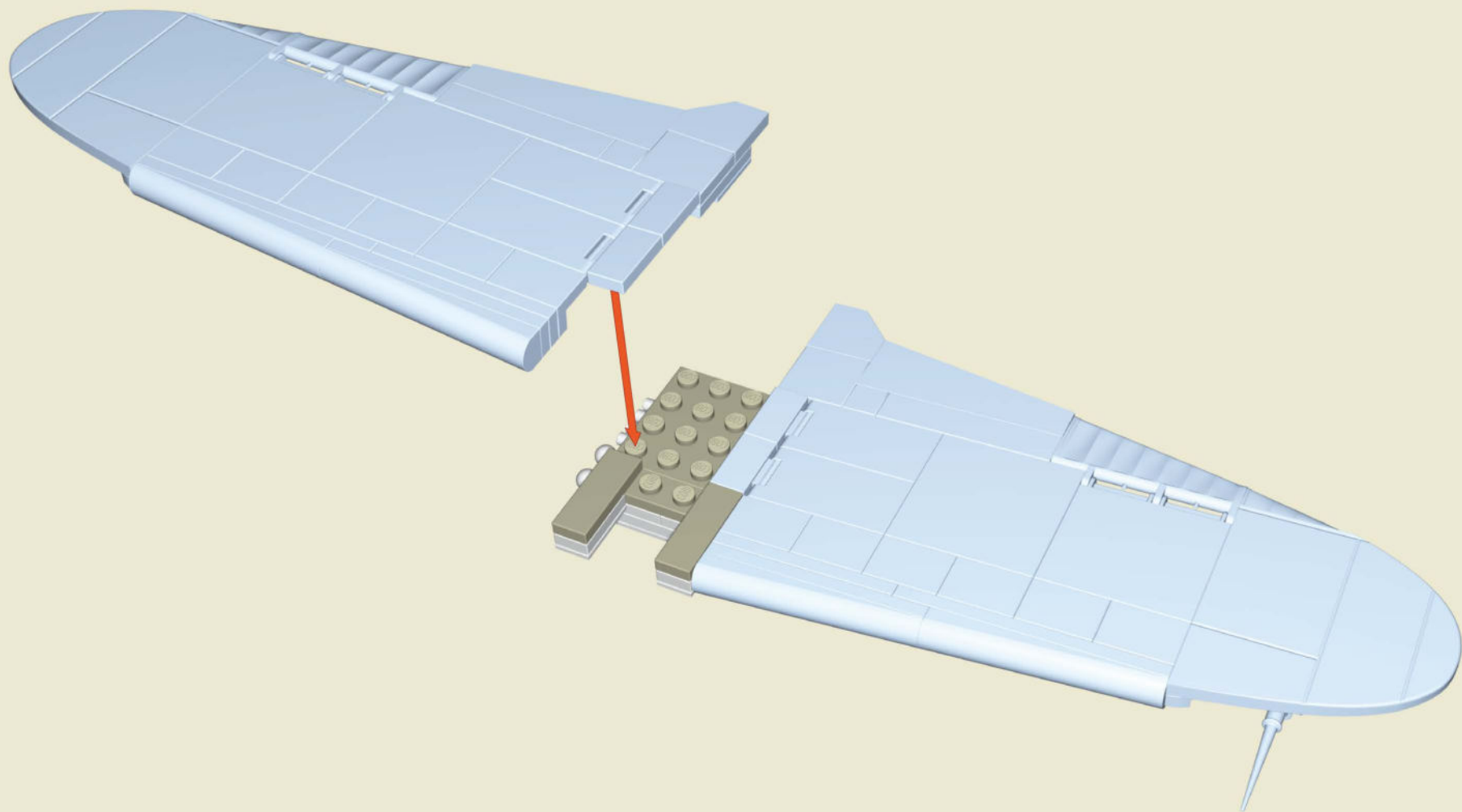


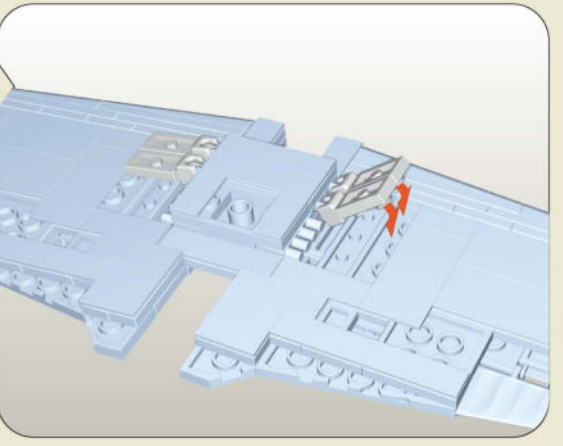
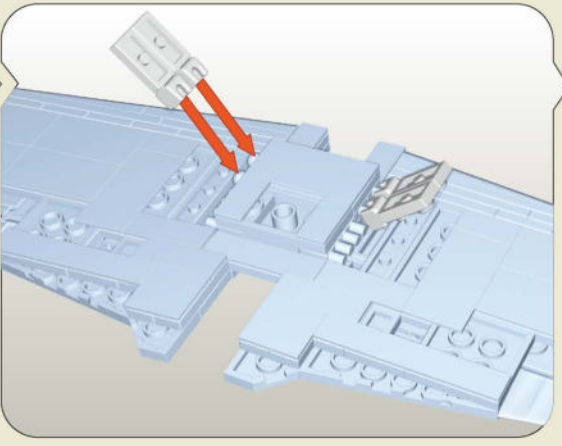
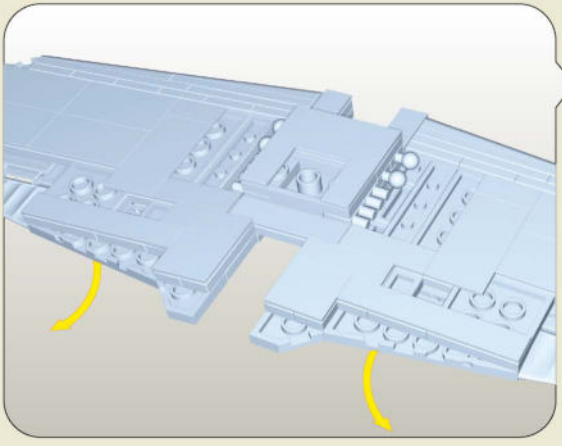
x2


x2

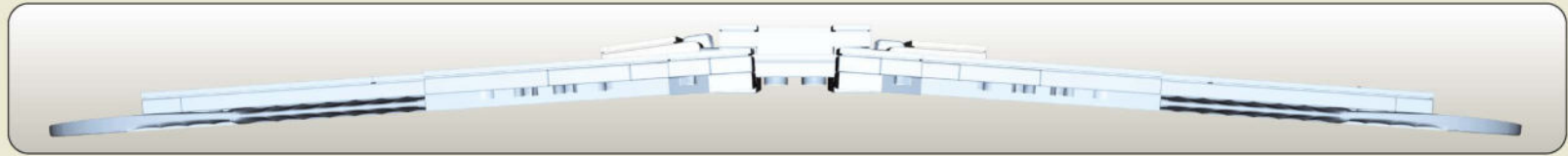
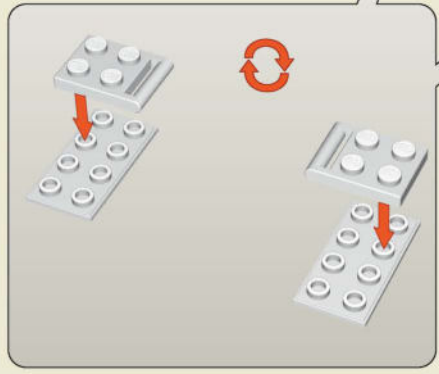
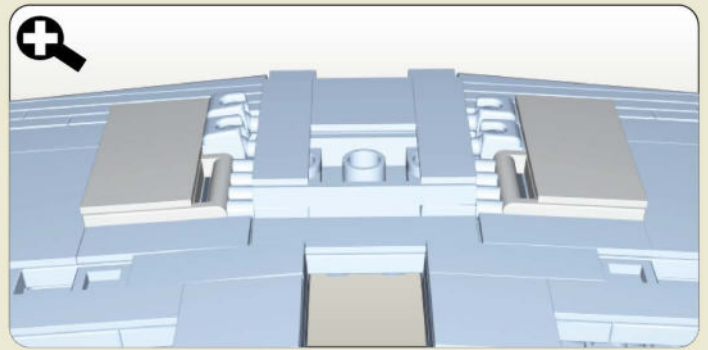
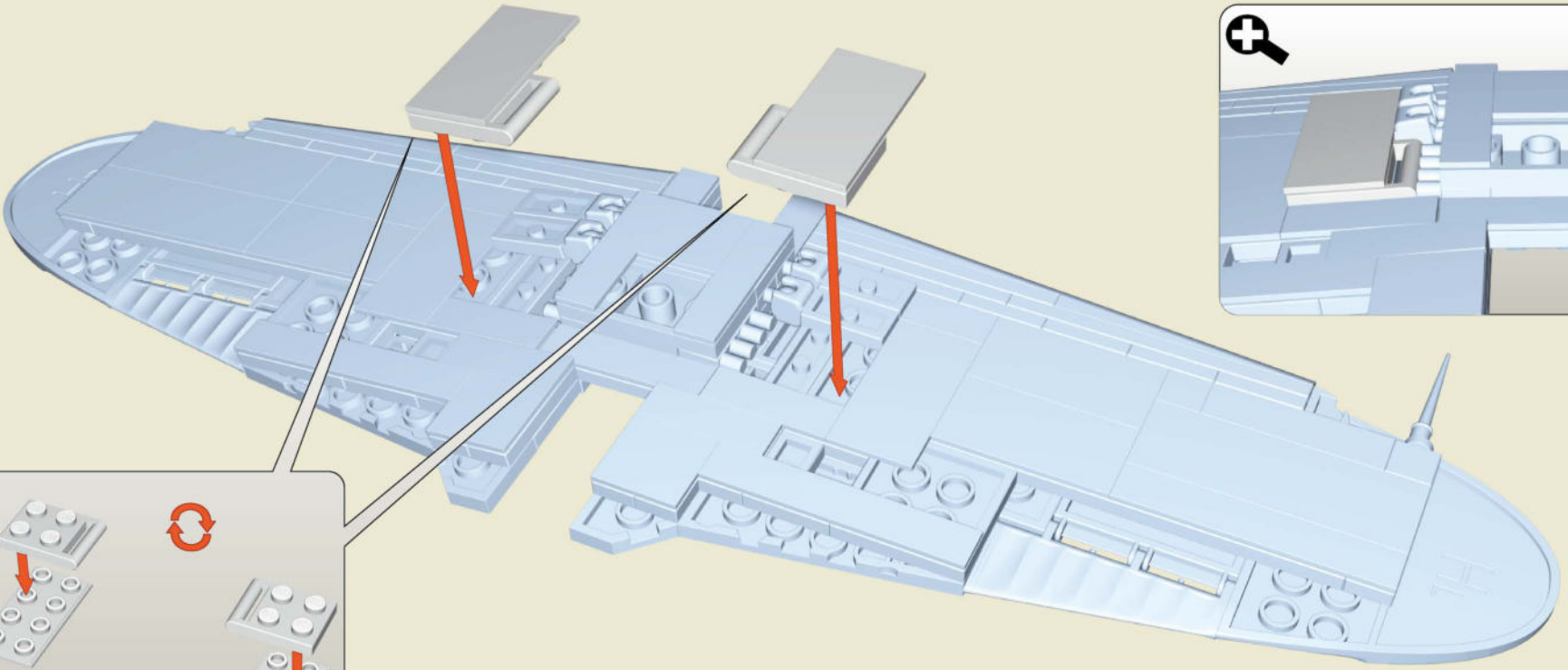
x2

1:1

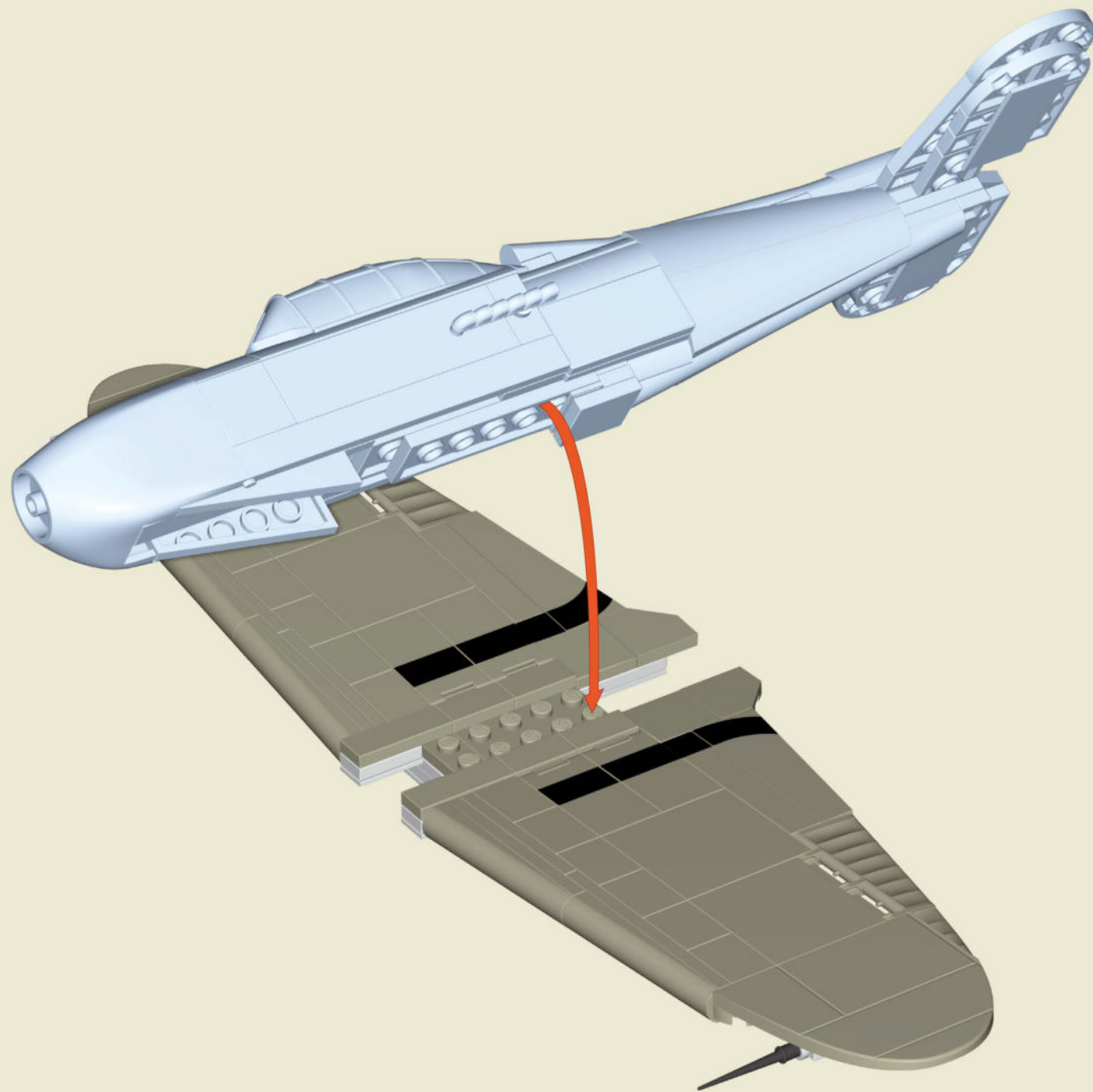


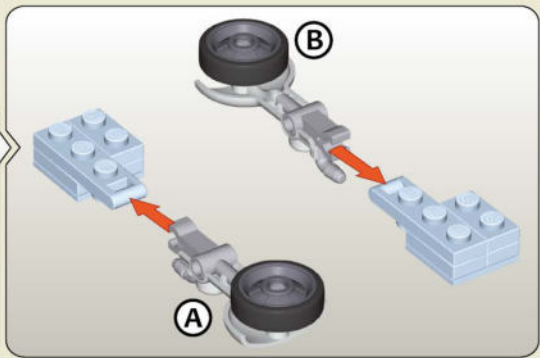
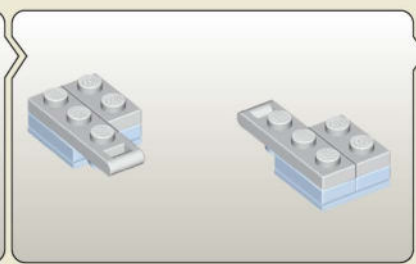
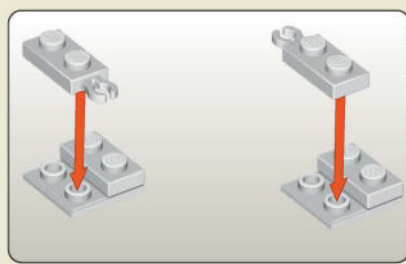
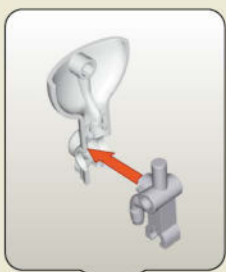
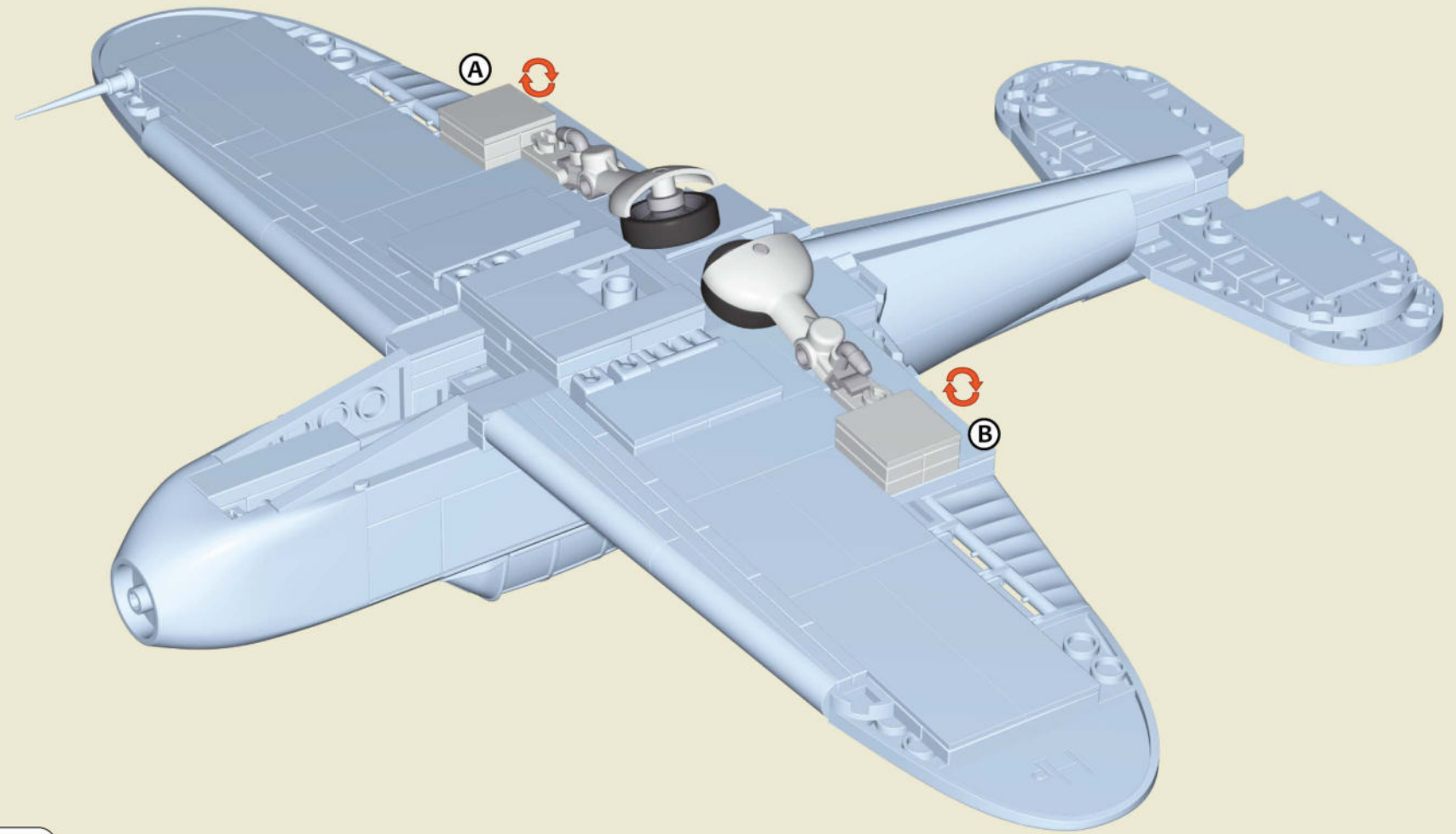


-  x4
-  x2
-  x2

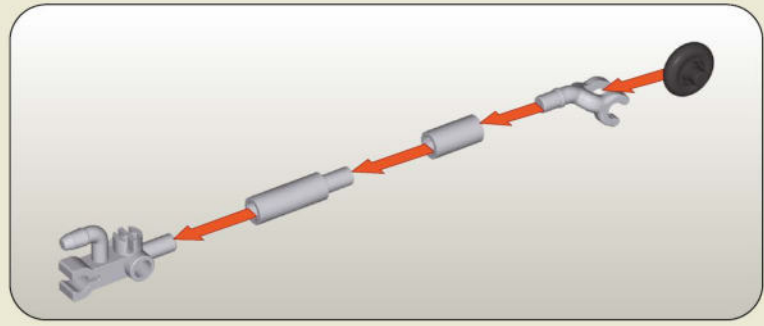
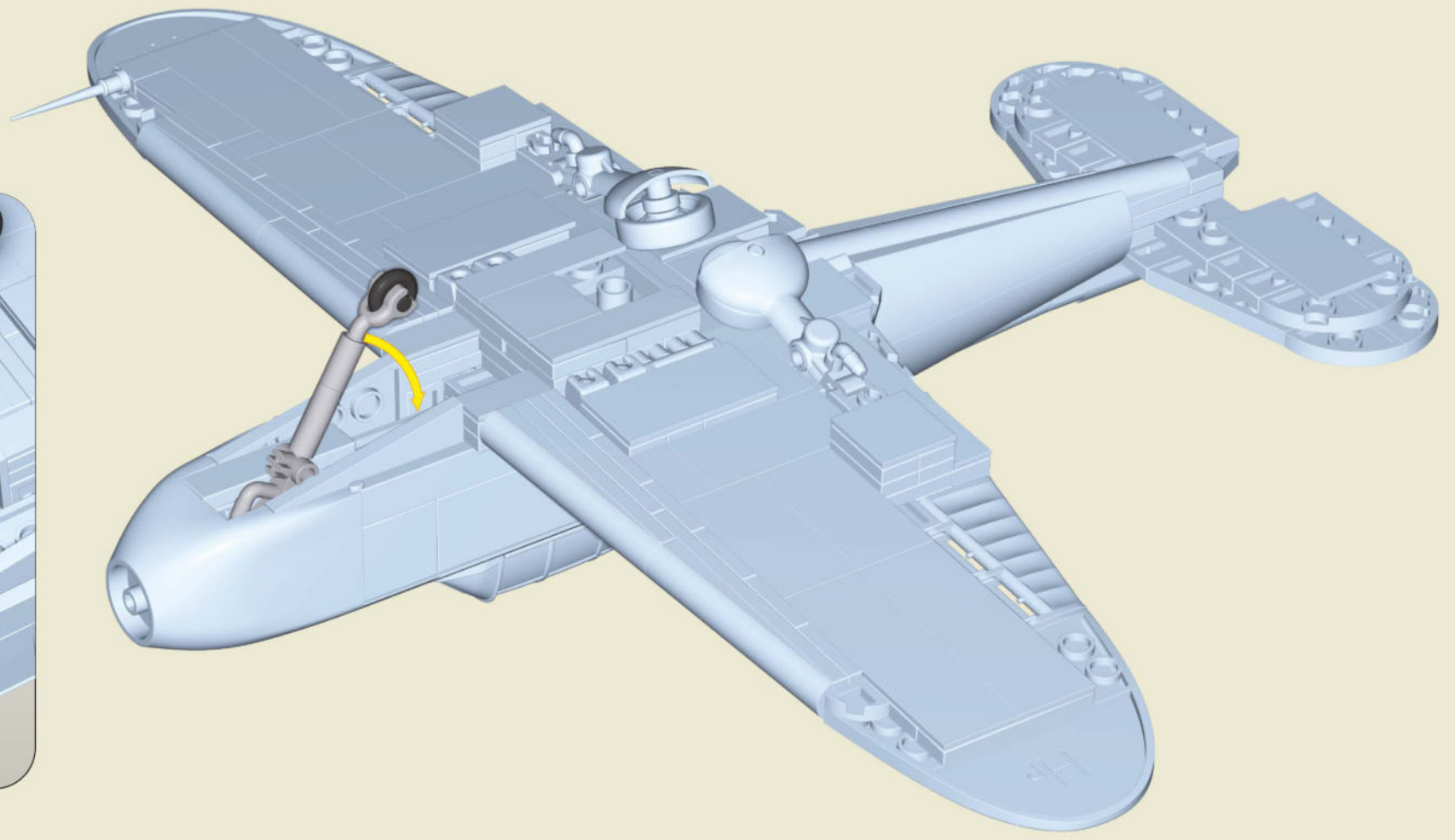
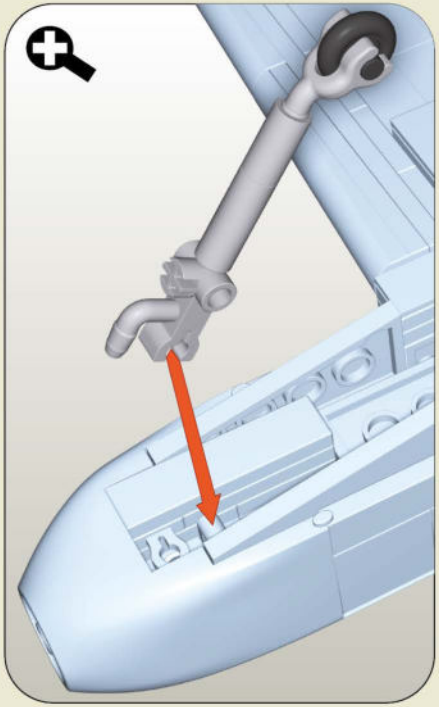







60

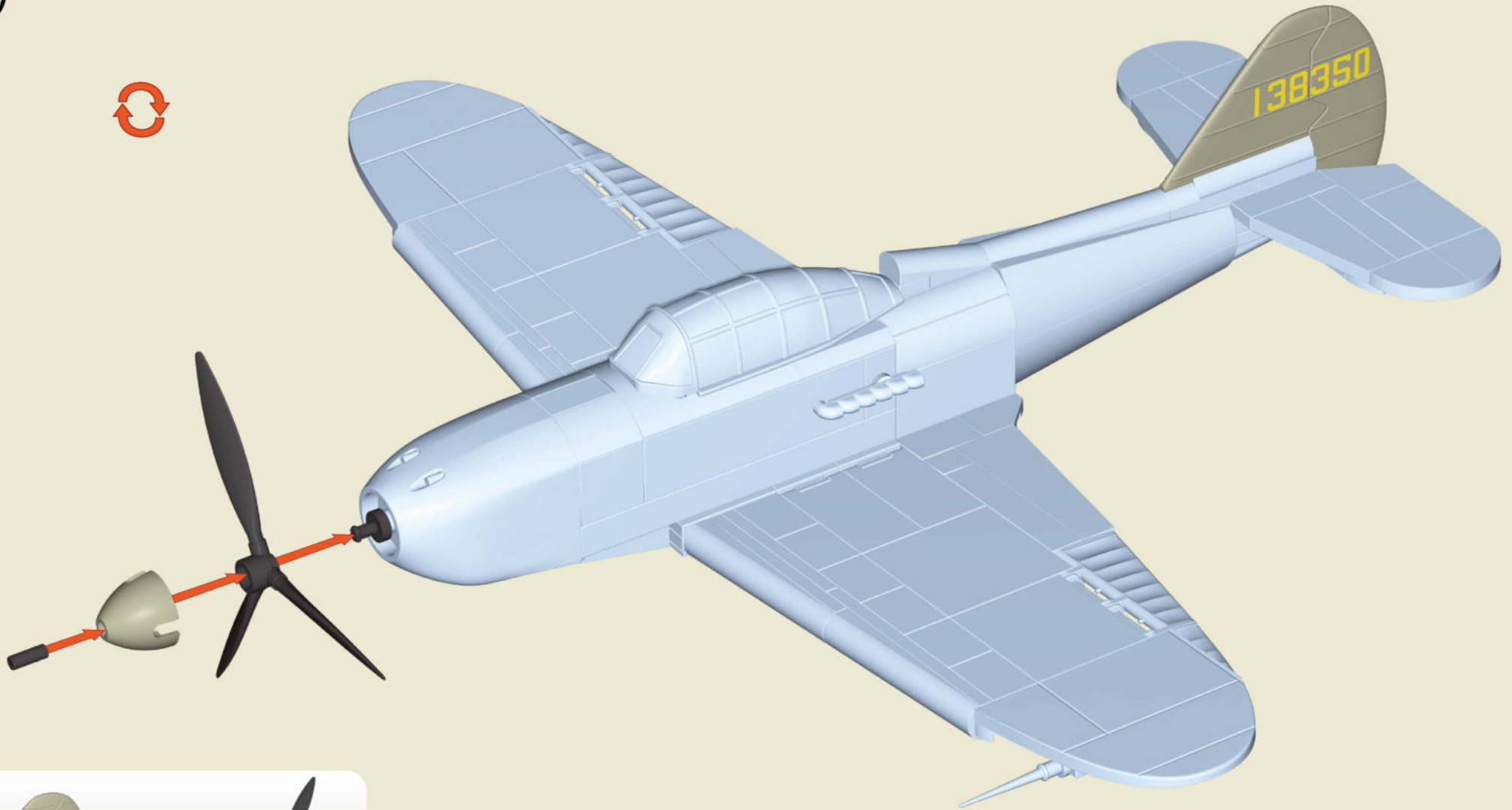




- | | | | | |
|-----------|-----------|-----------|-----------|-----------|
| | | | | |
| x2 | x2 | x4 | x2 | x2 |
| | | | | |
| x2 | x2 | x2 | x2 | |

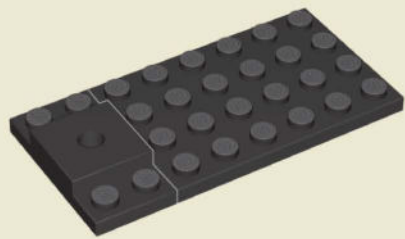


- | | | |
|---|---|---|
|  |  |  |
| xl | xl | xl |
|  |  | |
| xl | xl | |

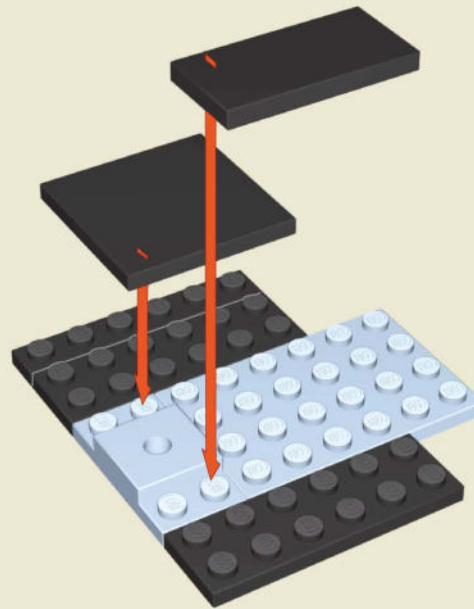


 x1	 x1	 x1
 x1	 x1	

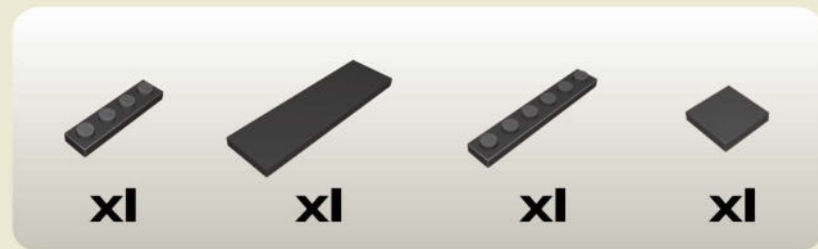
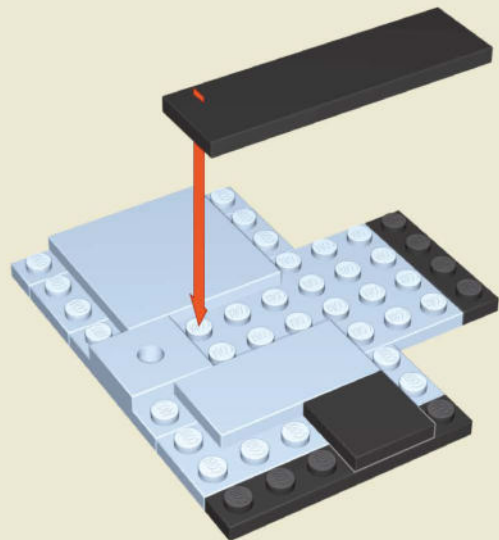
64



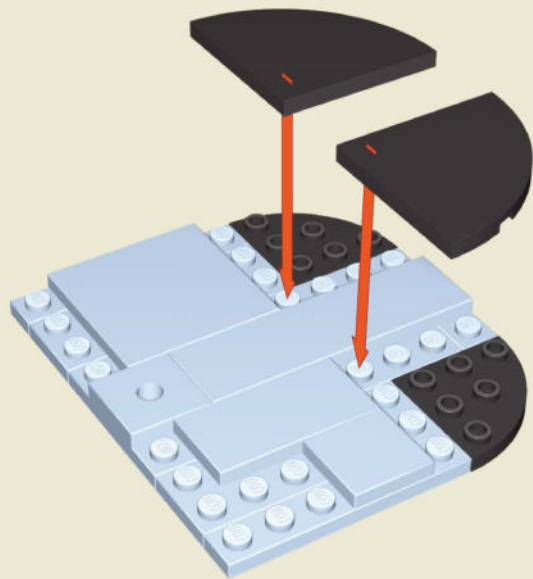
65



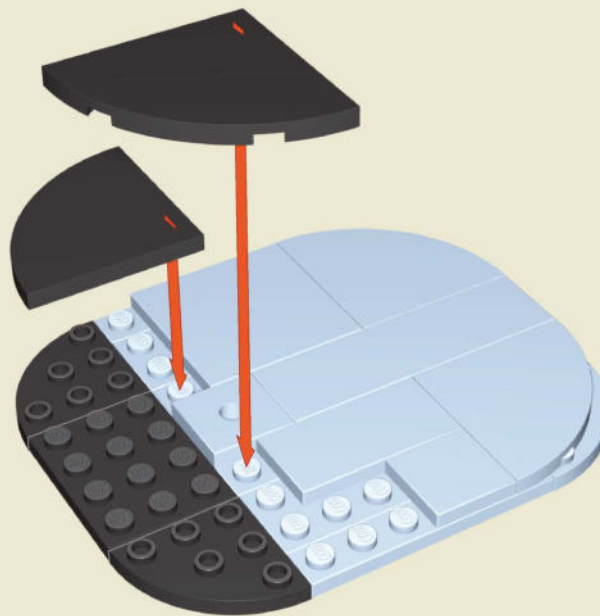
66



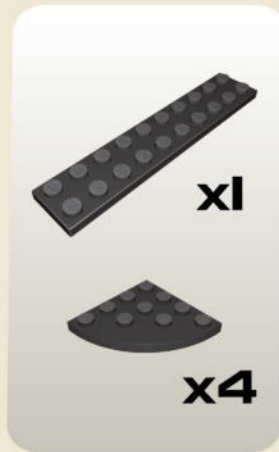
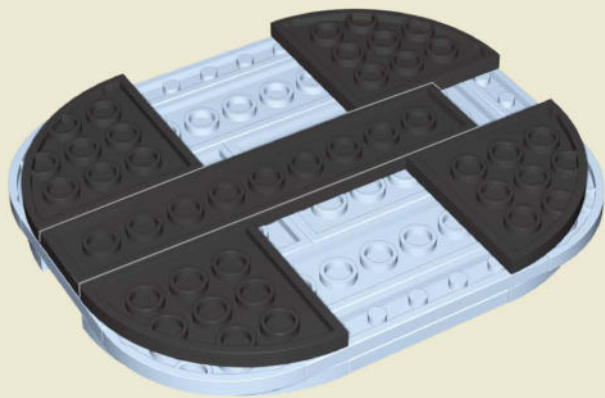
67



68



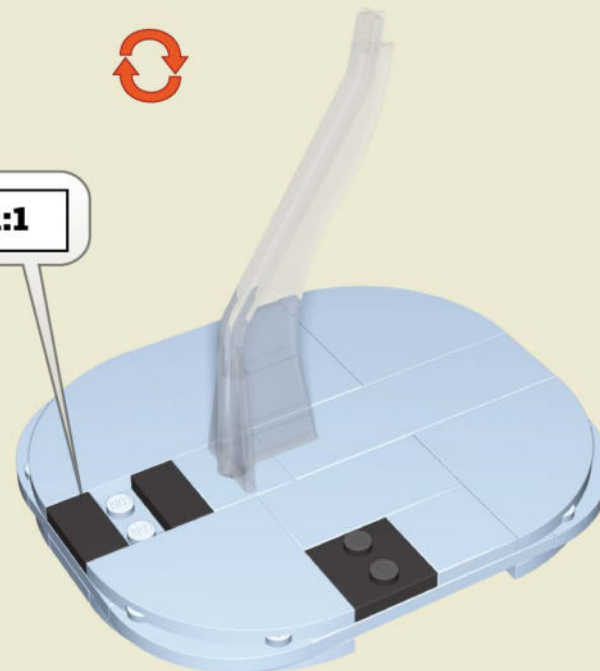
69



70

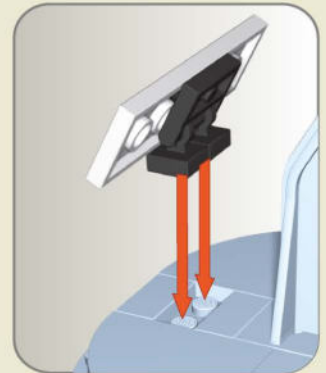
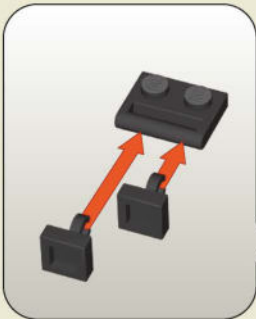
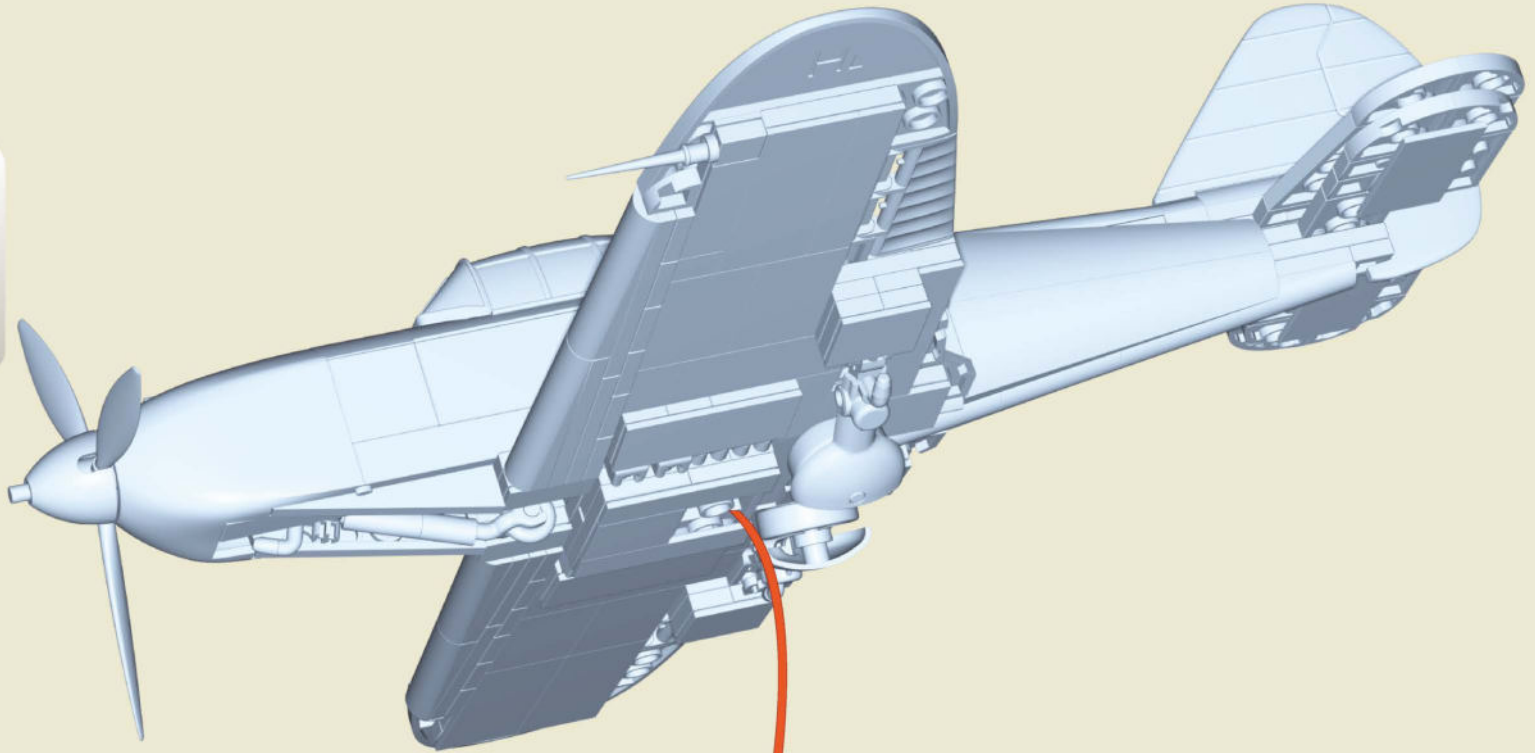


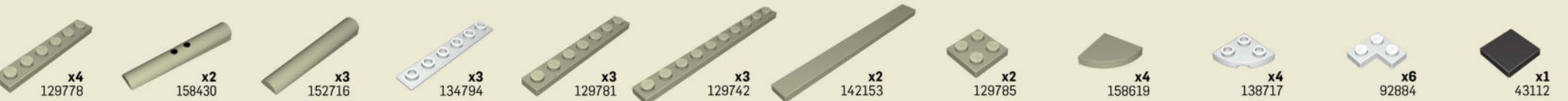
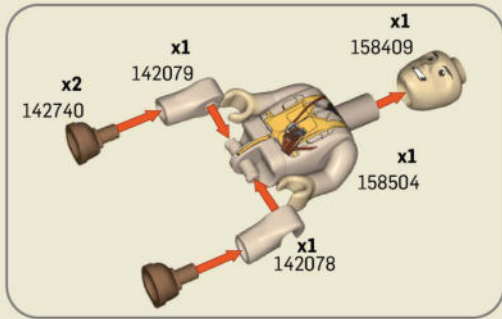
1:1

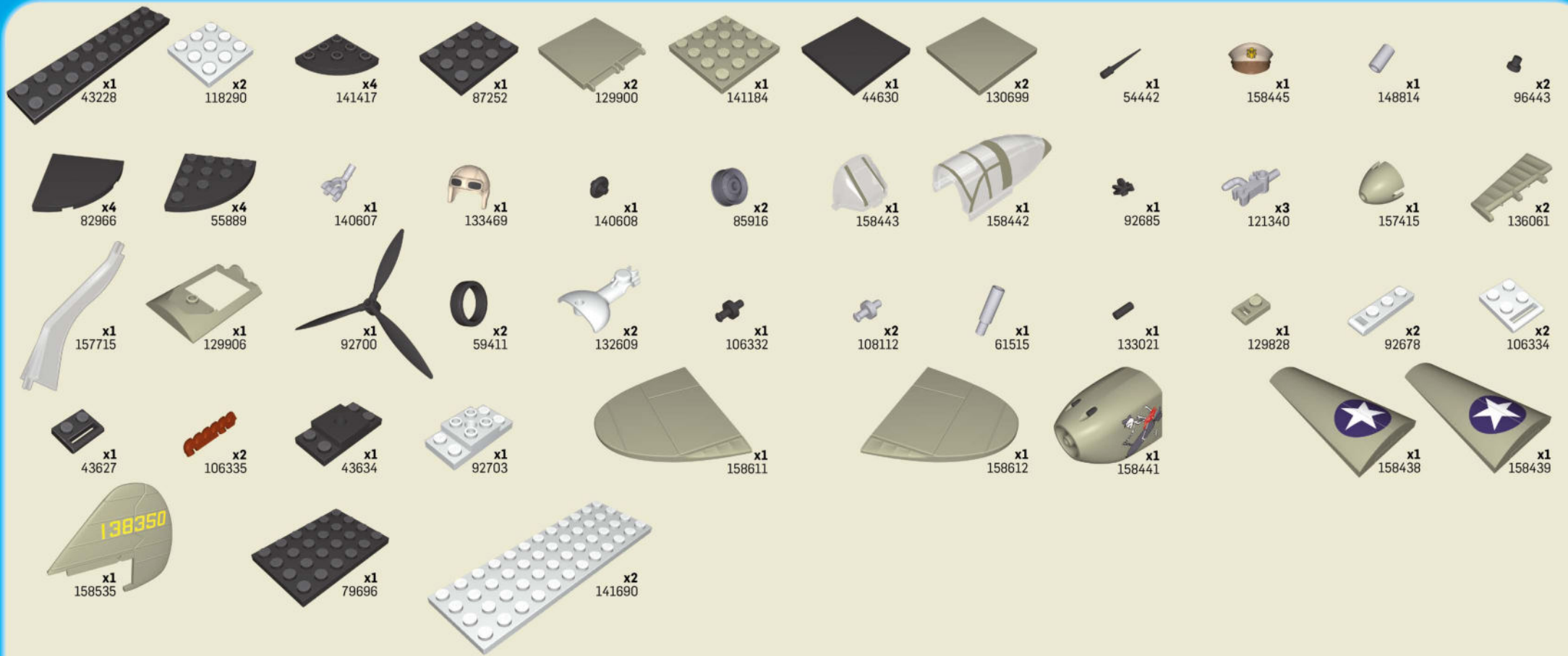


71

x2 x1 x1









HISTORICAL COLLECTION



MITSUBISHI A6M2 "ZERO-SEN"

● 5729



KAWASAKI KI-61-I HIEN (TONY)

● 5740



DOUGLAS™ C-47 SKYTRAIN (DAKOTA)

★ 5743



IL-2M3 SHTURMOVIK

☐★ 5744



HISTORICAL COLLECTION



FOCKE-WULF FW 190 A-3
+ 5741



ILYUSHIN IL-2 (1943)
★ 5745



PZL P.11c
⊠ 5742



NORTHROP GRUMMAN



P-47 THUNDERBOLT™
⊙ 5737



For news and special deals

Find us on:
f cobibricks
i cobiklocki
y COBI SA

WWW.COBIBRICKS.COM

19-05746-350