

# HISTORICAL COLLECTION

## GREAT WAR



### SOPWITH CAMEL F.1

PLACE OF ORIGIN - UNITED KINGDOM  
IN SERVICE - 1917 - 1920  
ROLE - BIPLANE FIGHTER  
CREW - 1  
WINGSPAN - 8,53M (28')  
LENGTH - 5,72M (18' 9")  
HEIGHT - 2,59M (8' 6")  
ENGINE - CLERGET 9B, 130HP  
RANGE - 485KM (300MI)  
RATE OF CLIMB - 5,5M/S (1,085FT/MIN)  
SERVICE CEILING - 5791M (19,000FT)  
ARMAMENT - 2x 7,7MM (.303)  
VICKERS GUNS  
SPEED - 182KM/H (113MPH)



2987

Printed in EU

PAD PRINTED  
NO STICKERS



**WARNING: CHOKING HAZARD-**  
Toy contains small parts.  
Not for children under 3 years.



UK  
CA



CE

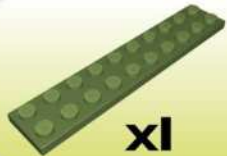
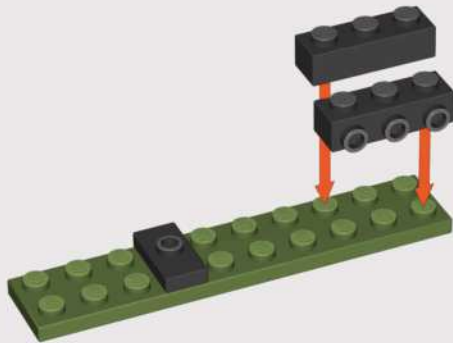


176  1 

# SOPWITH CAMEL F.1

SCALE 1:32

1



x1

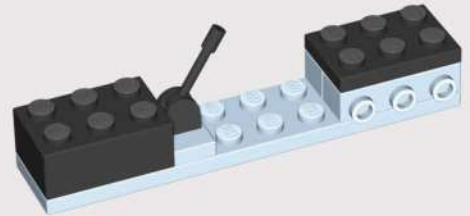


x1



x2

2



x1



x1



x1



x1

3



x1



x1

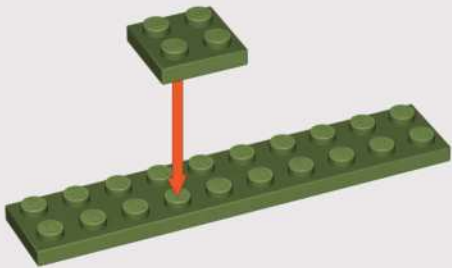


x1

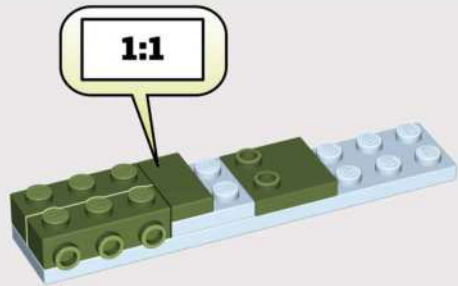


x1

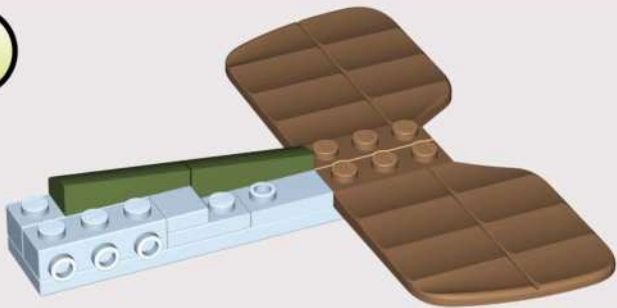
4



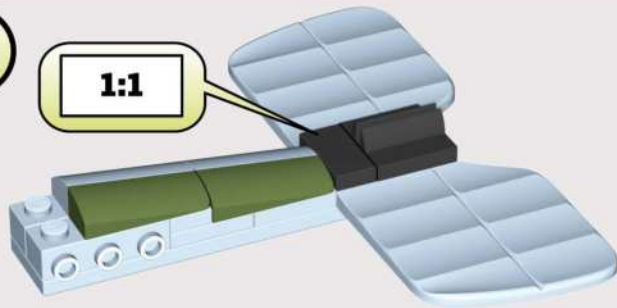
5



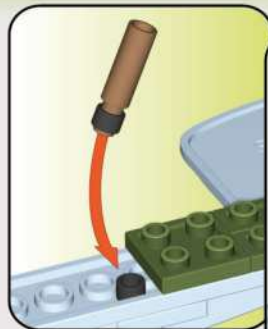
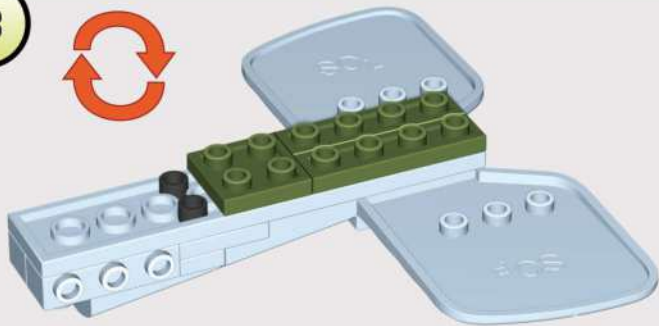
6



7



8



x2

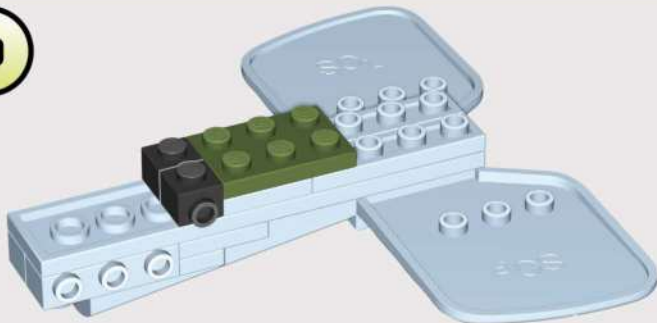


x1



x2

9

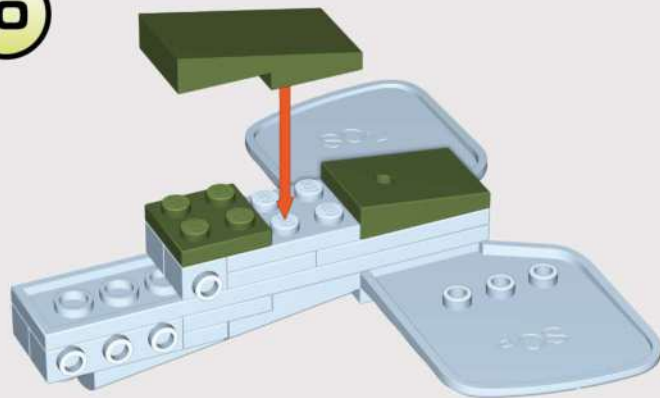


x2



x1

10



x1

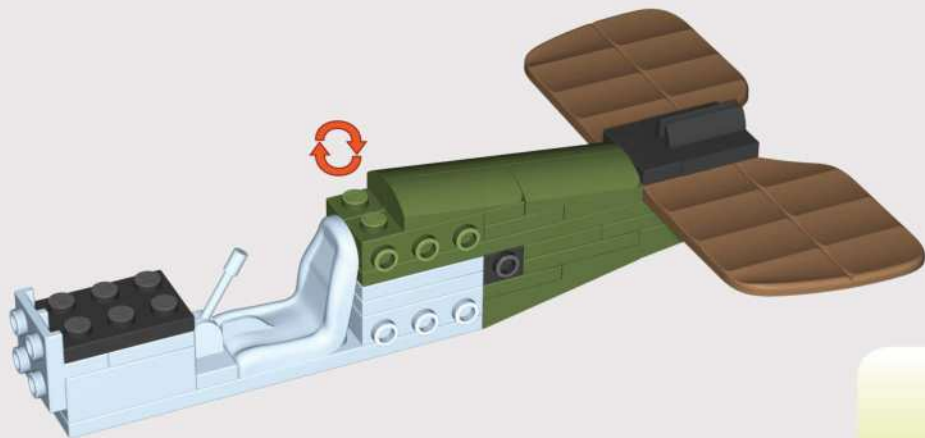


x1

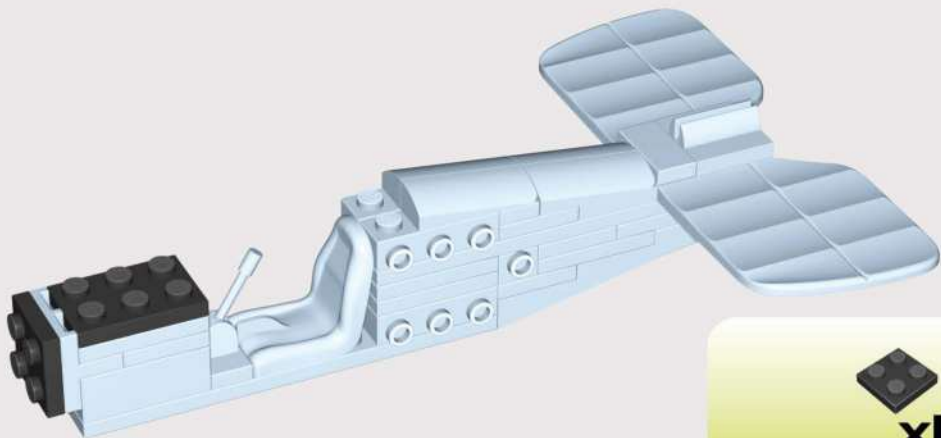


x1

11

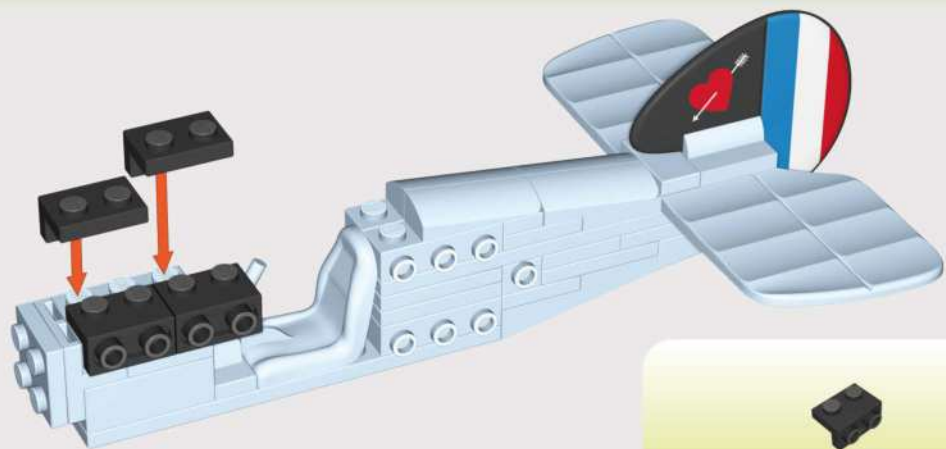


12





13

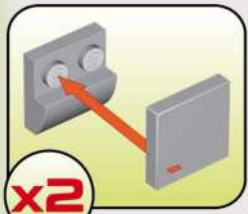
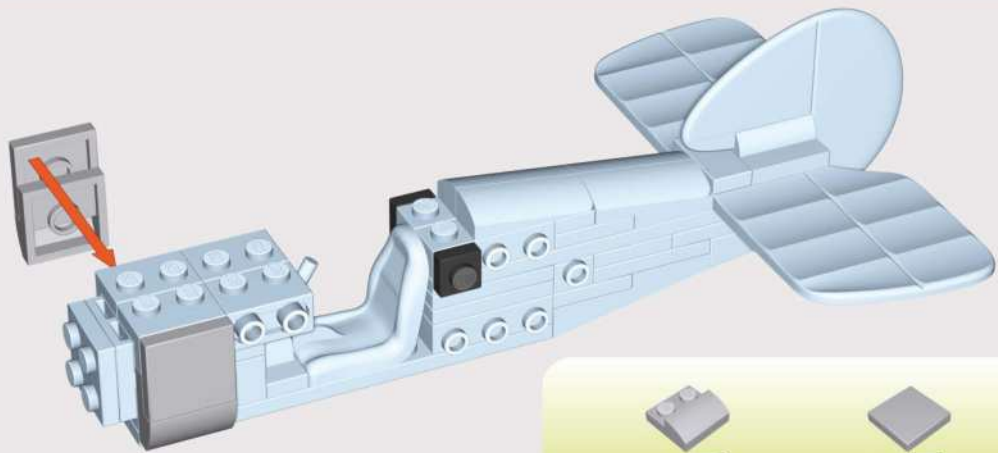


x4



x1

14



x2



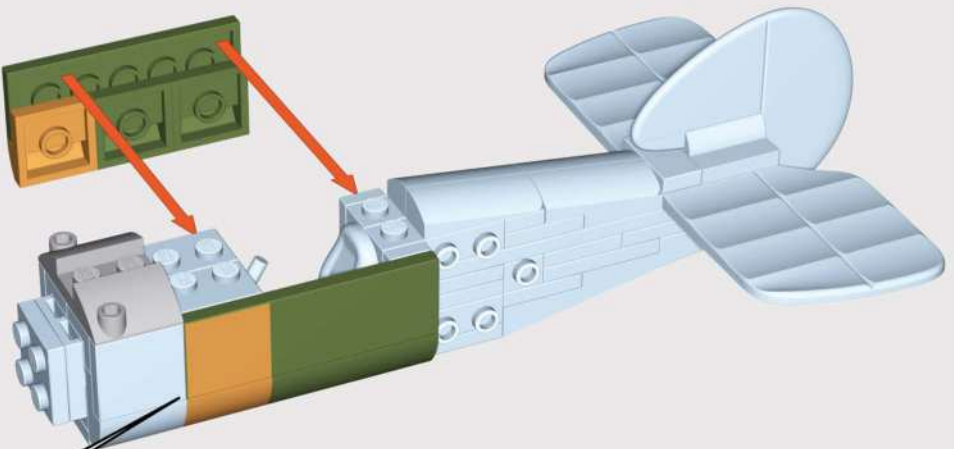
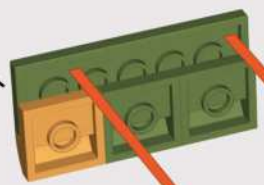
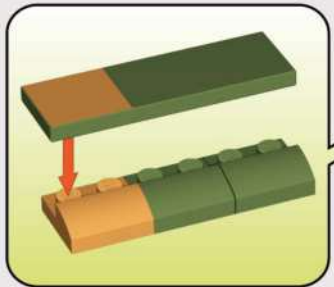
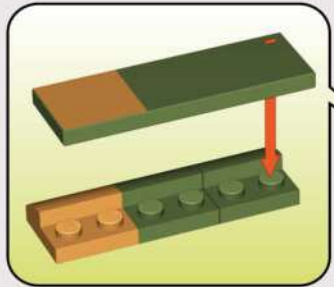
x2



x2

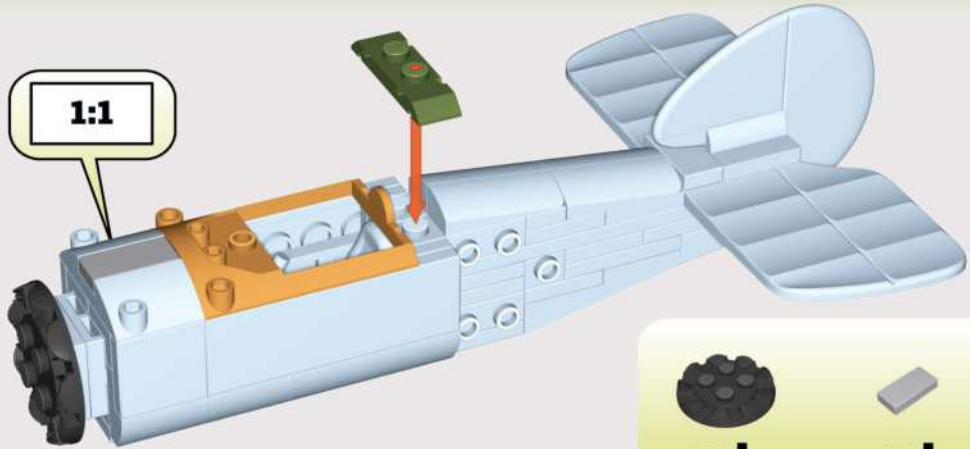


x2

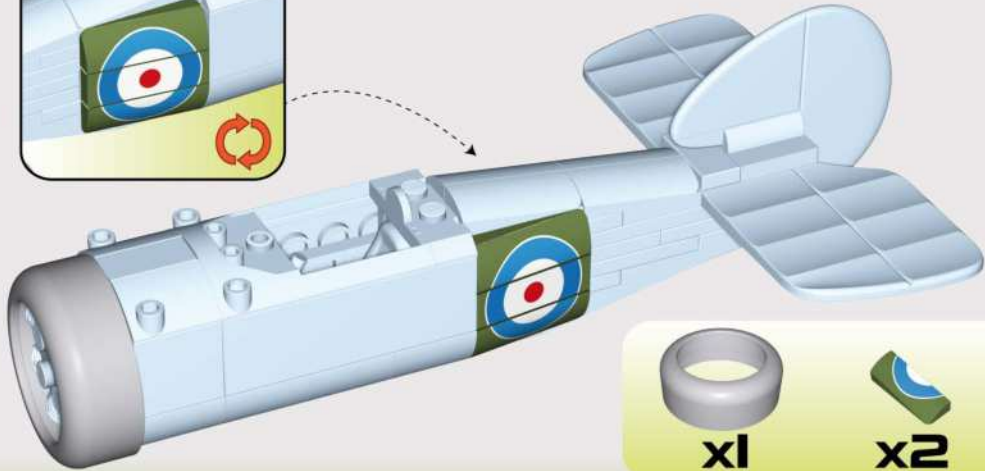


16

1:1

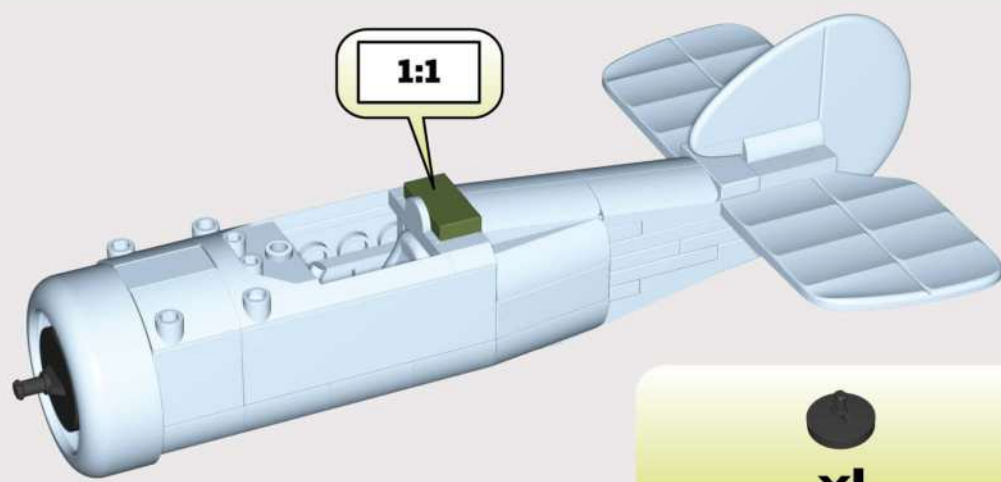


17



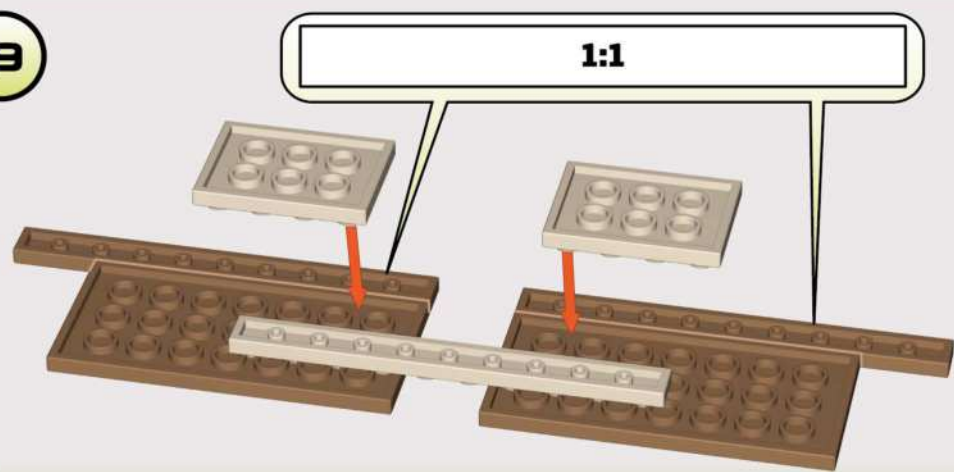




18





 **x1**
 **x1**

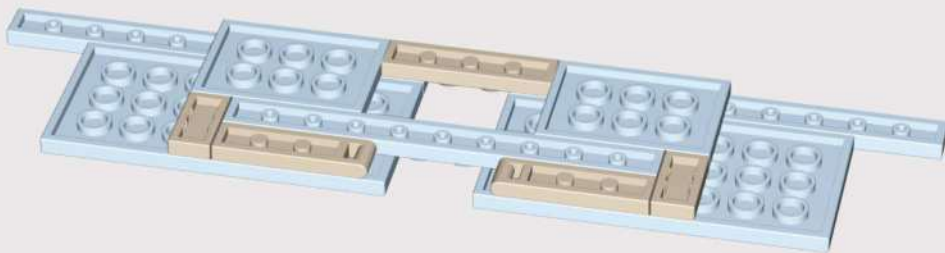
19



 **x2**
 **x2**

 **x1**
 **x2**

20



x2

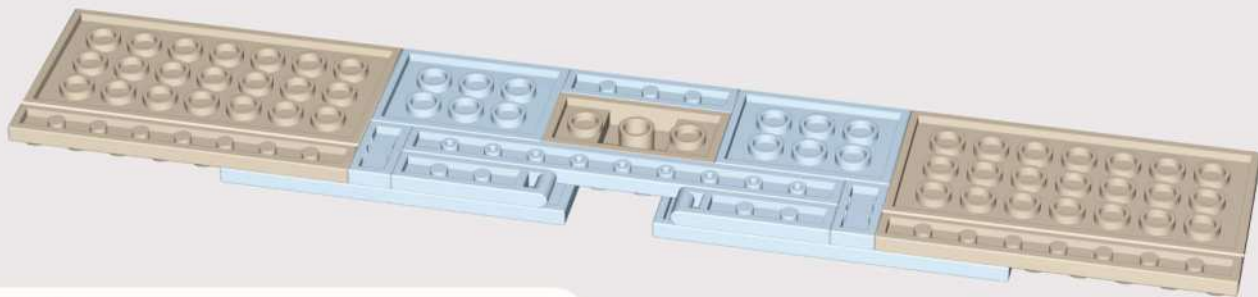


x2



x1

21



x2



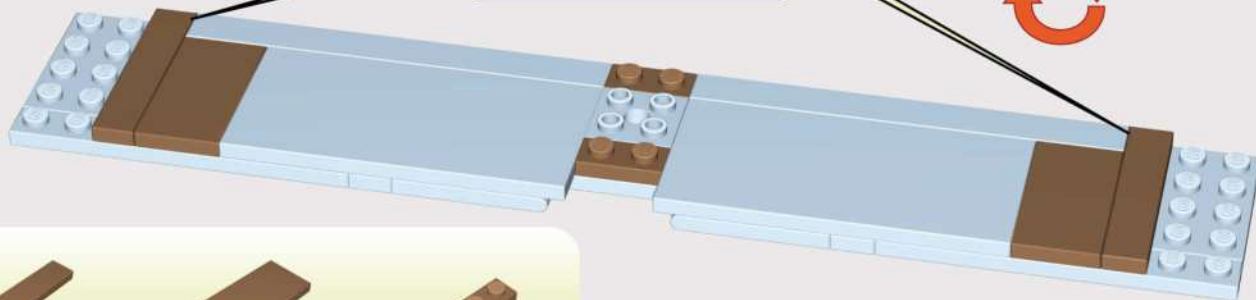
x2



x1

22

1:1



x2



x2



x2

23

1:1



x2

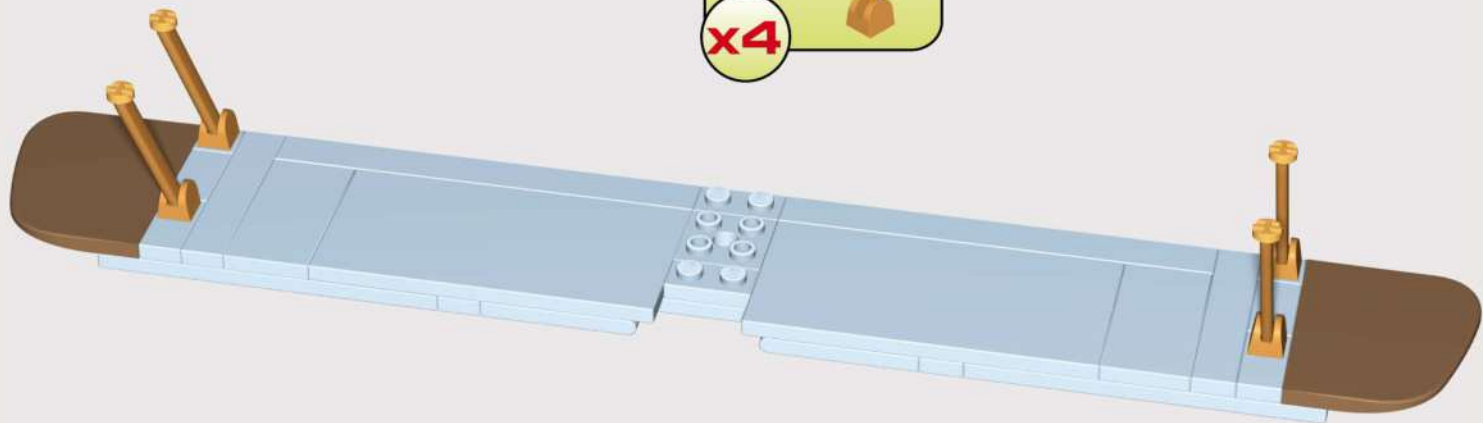
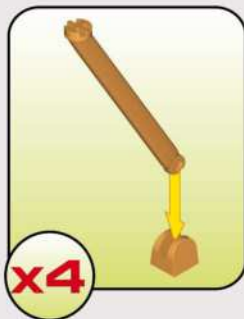


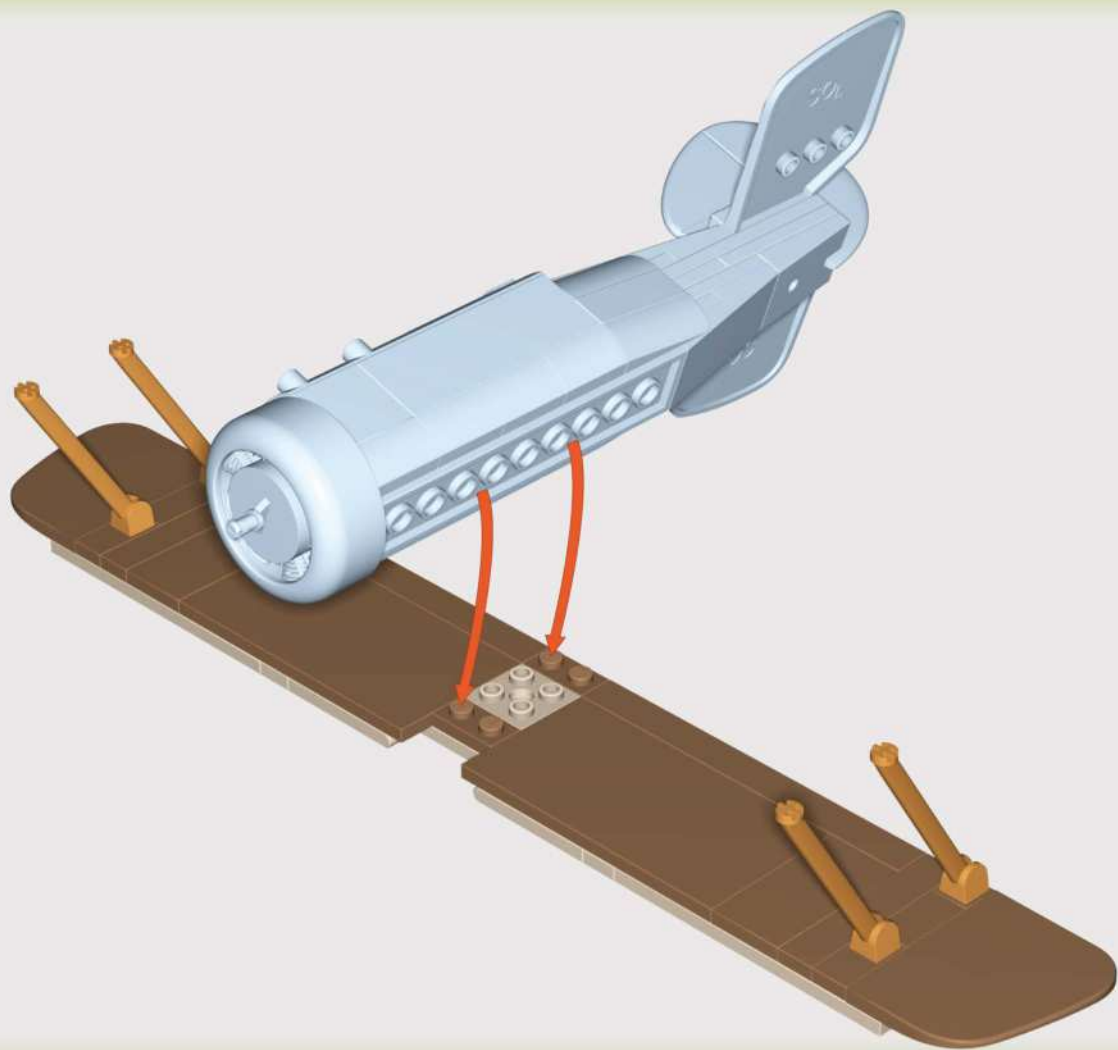
x2



x2

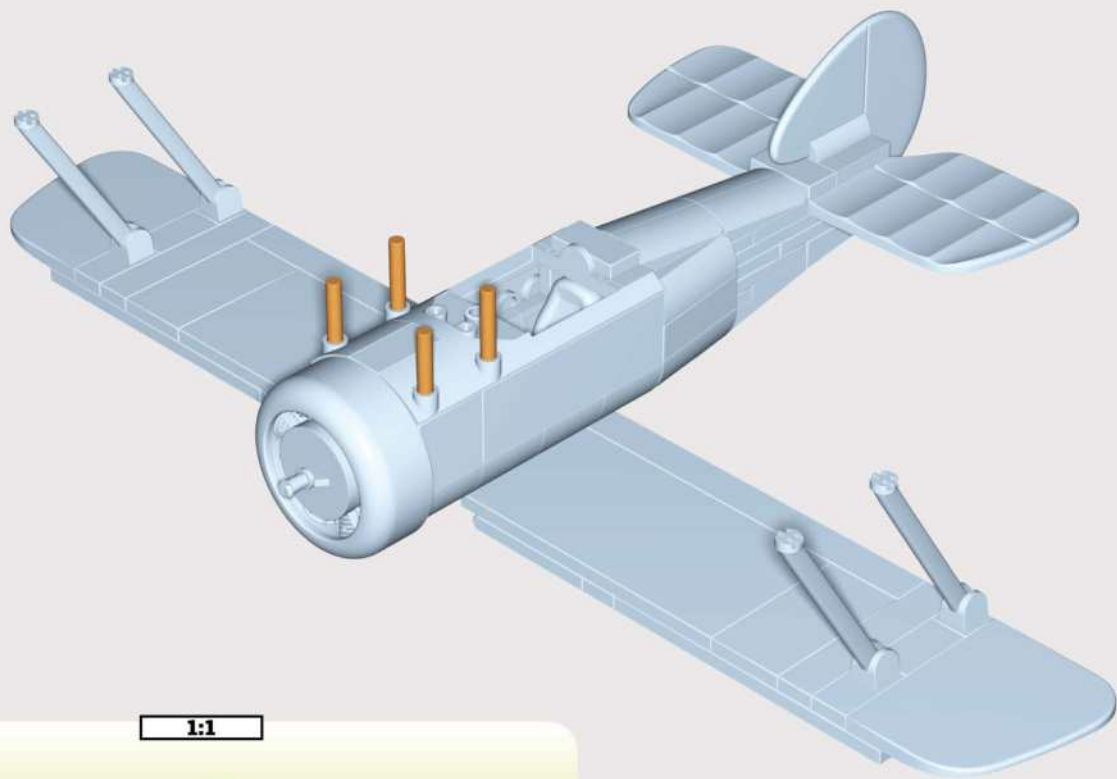
24







26



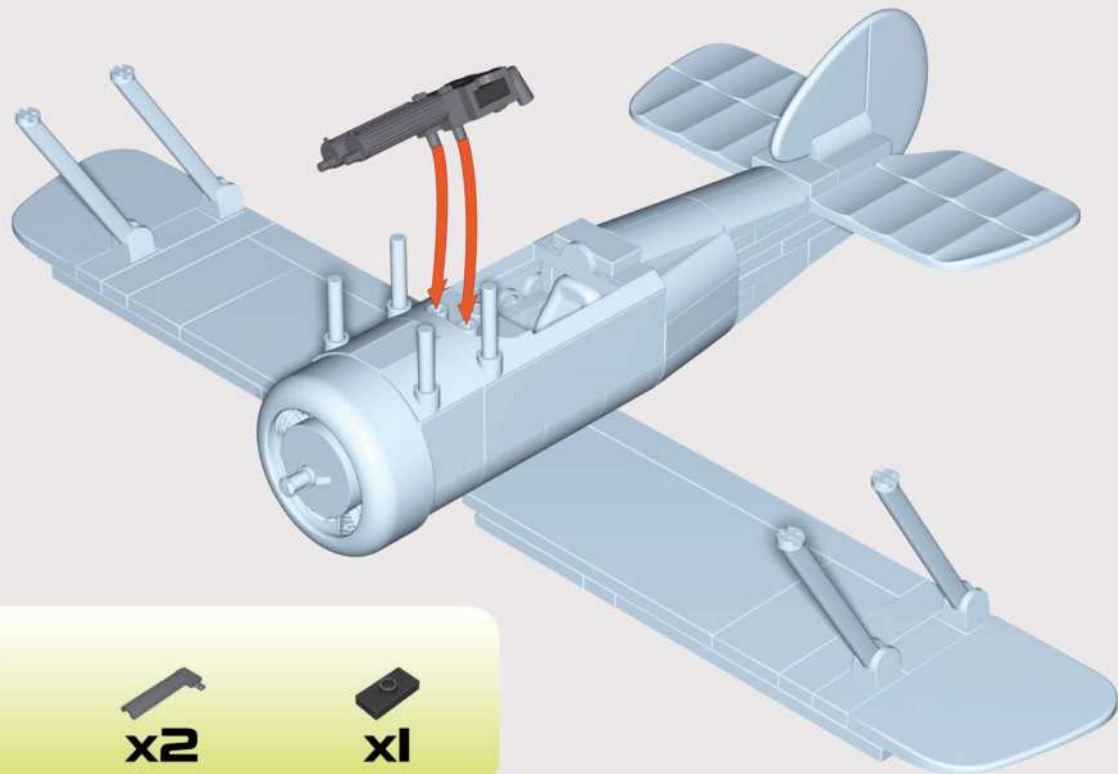
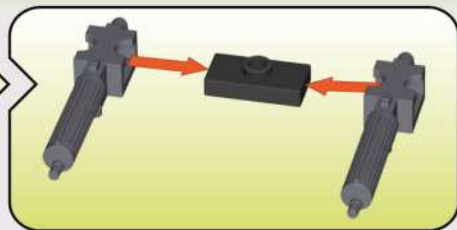
1:1



x4

27

x2



x2

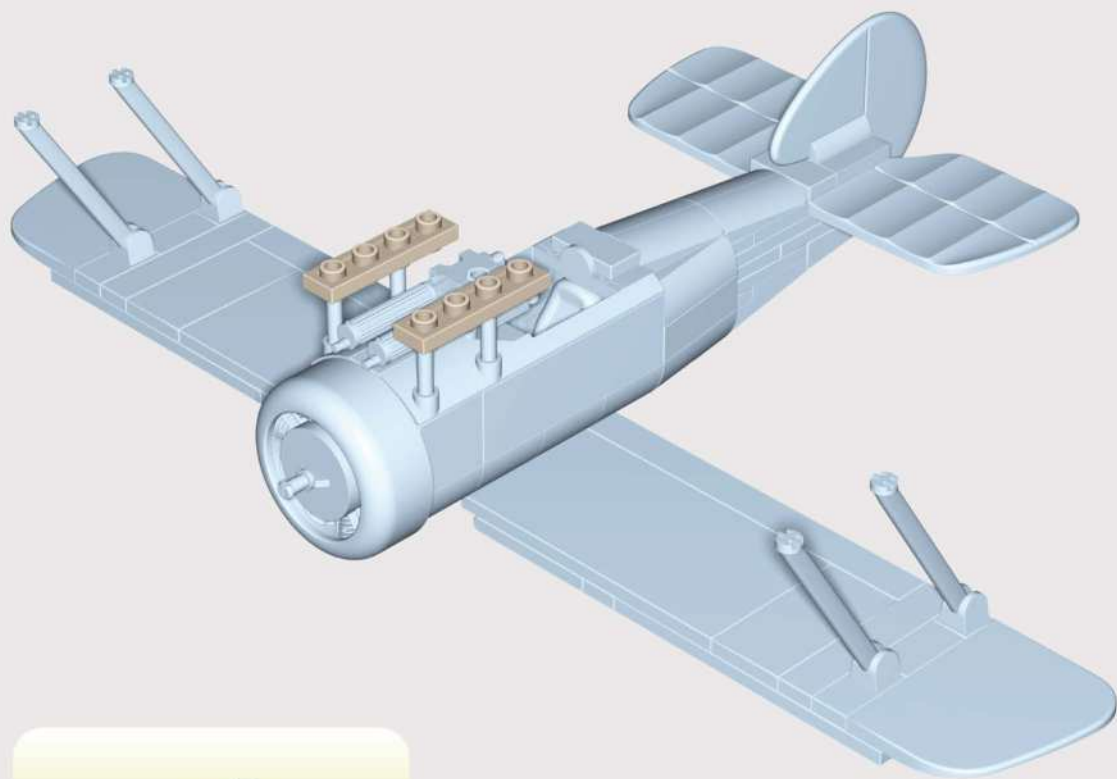


x2



x1

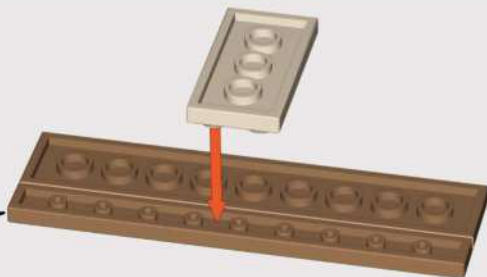
28



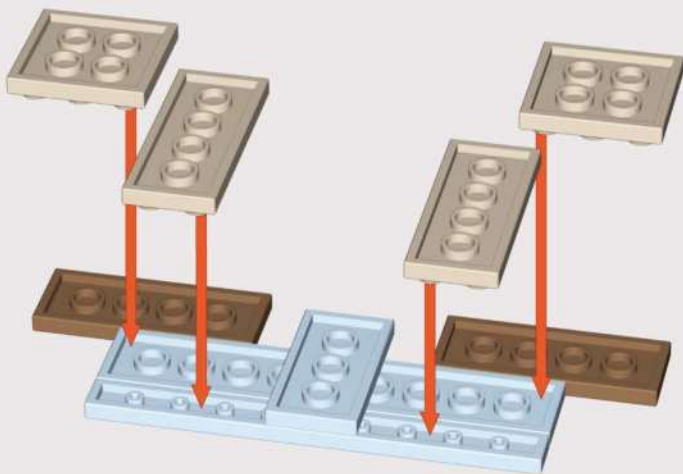
x2

29

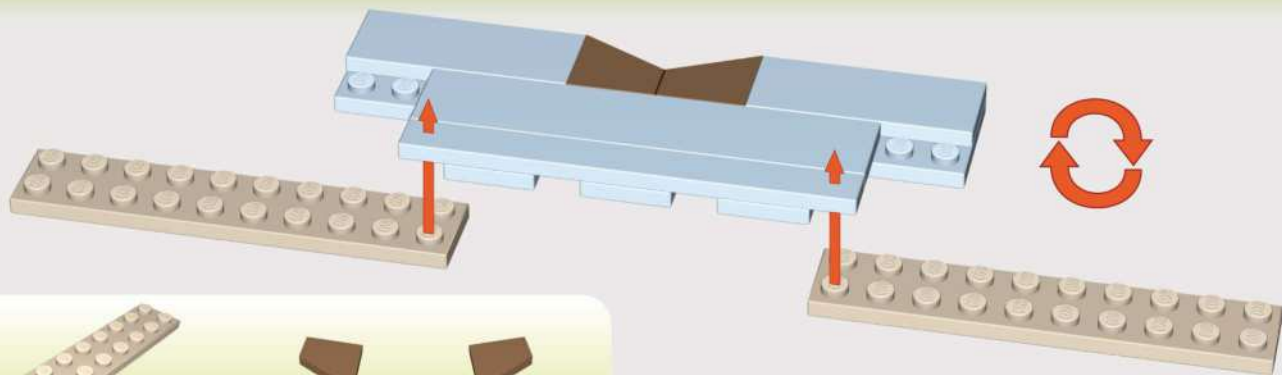
1:1



30



31



x2

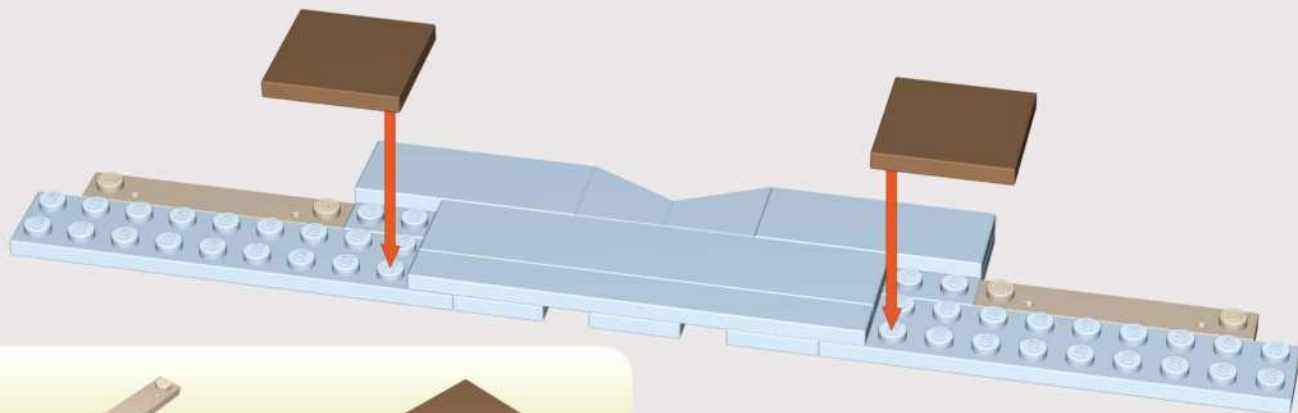


x1



x1

32



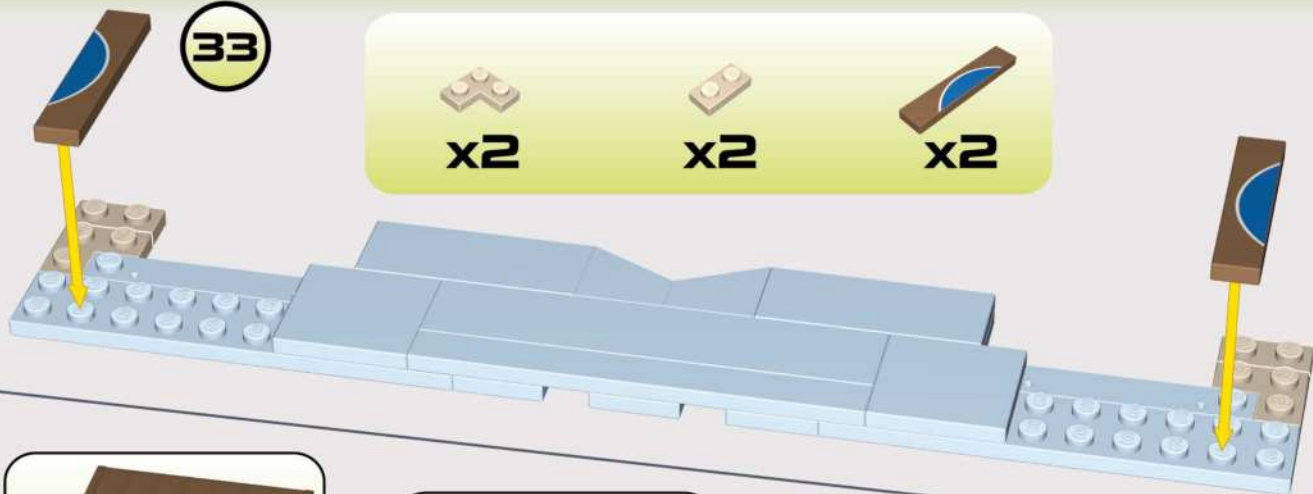
x2



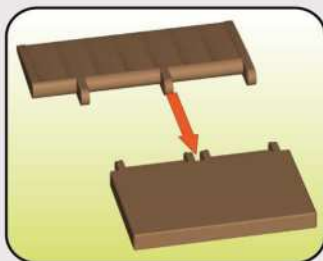
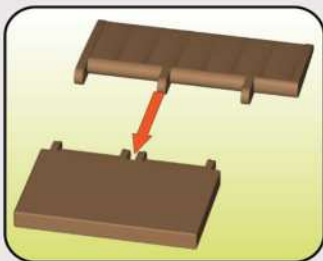
x2



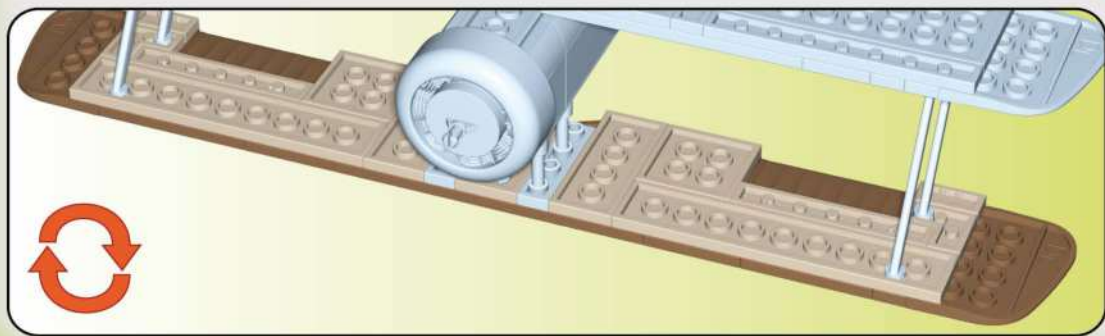
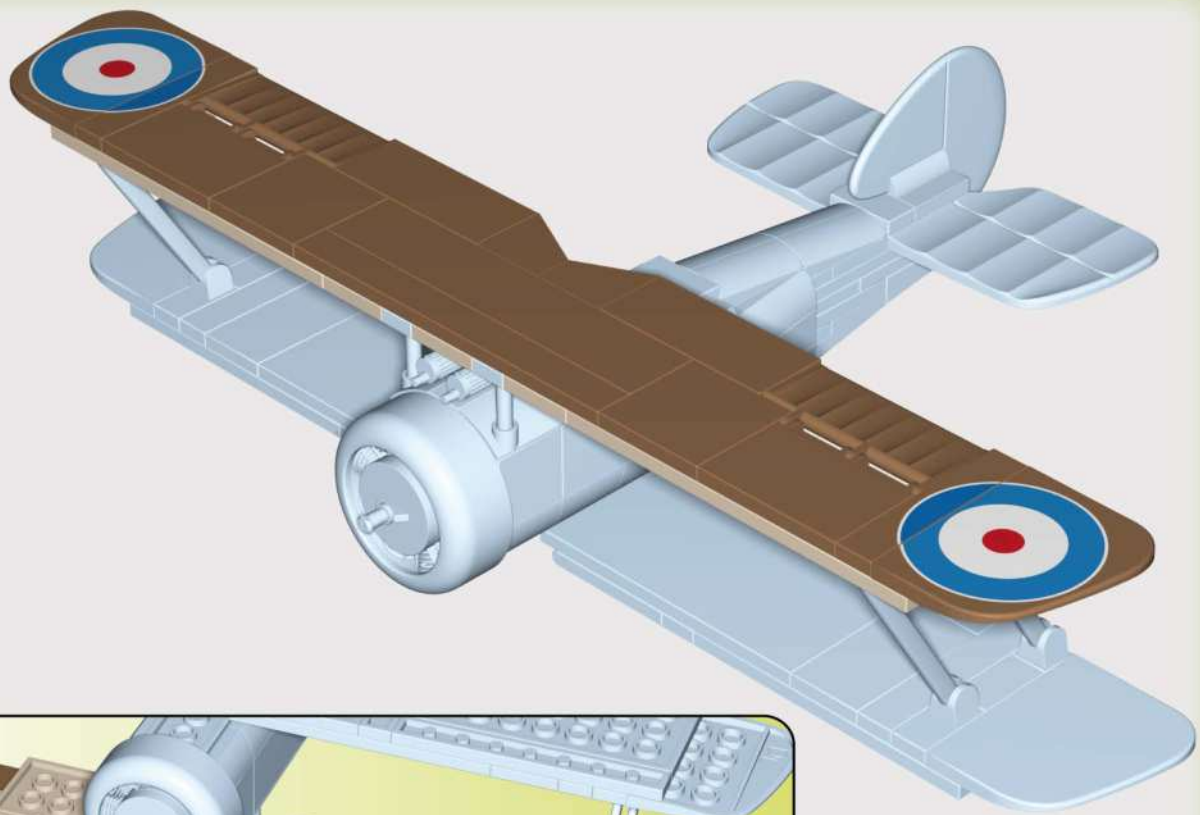
33



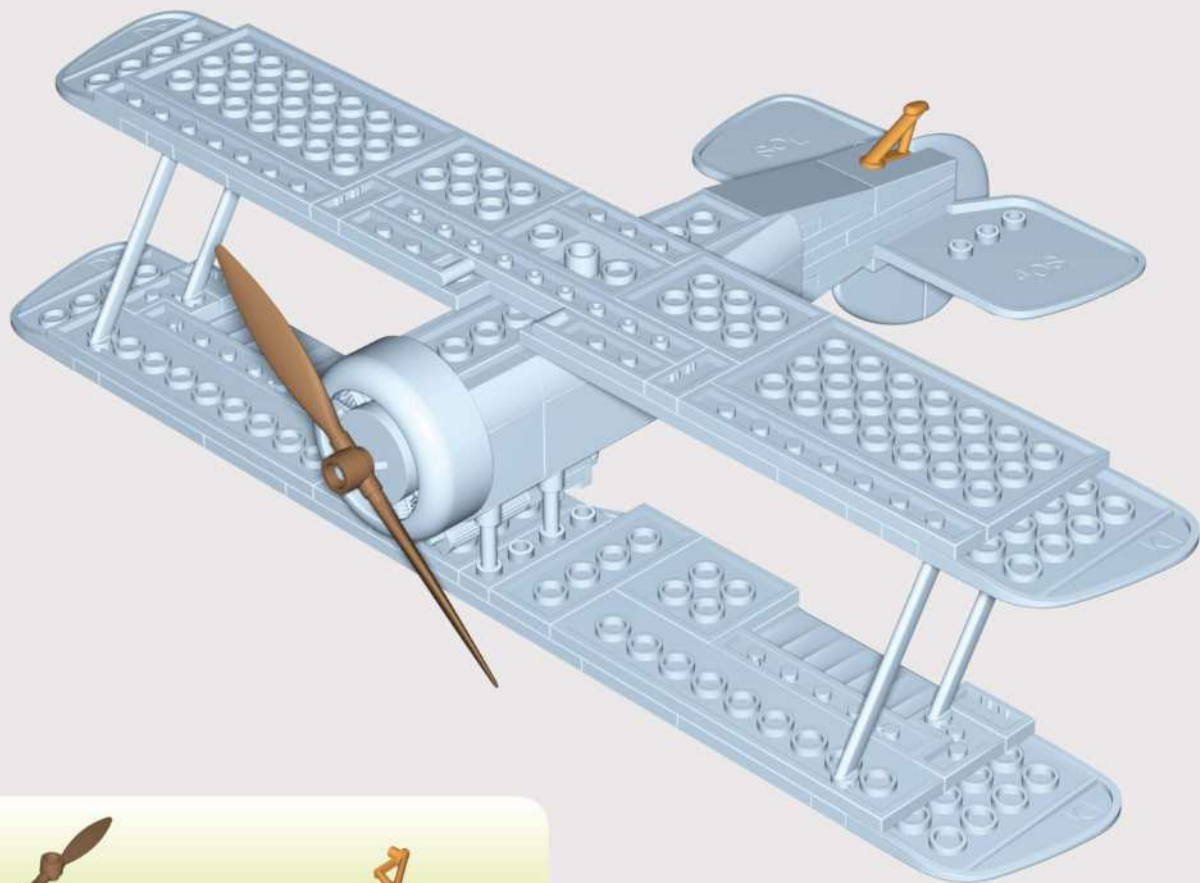
34



35



36

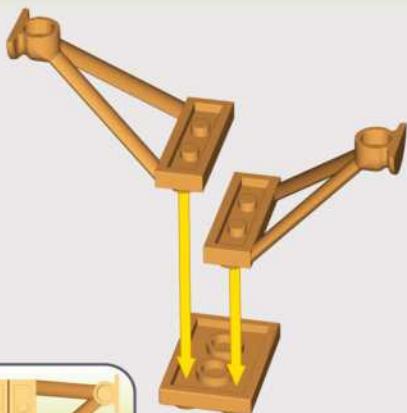


x1



x1

37



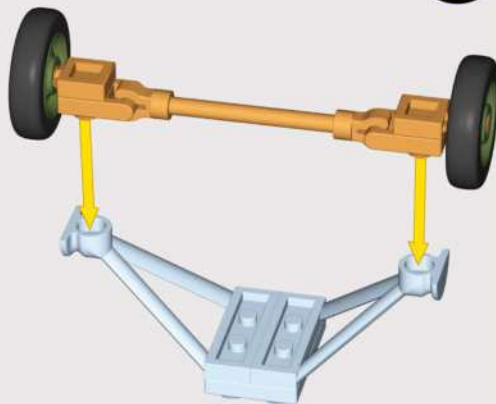
38



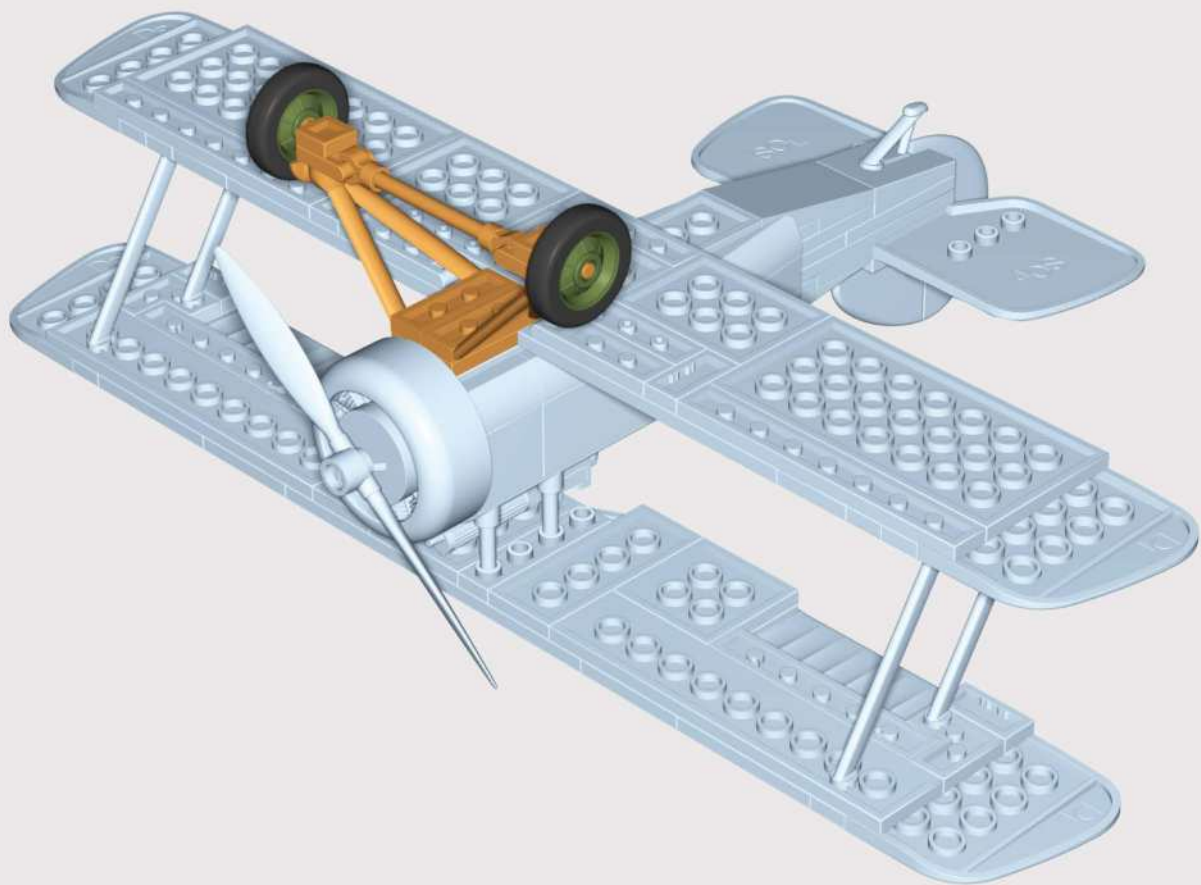
39



40



41







x2  
44013



x2  
43969



x2  
142222



x2  
111183



x2  
42928



x4  
42926



x4  
106152



x2  
45159



x1  
45158



x2  
45540



x1  
45448



x2  
42950



x2  
111911



x2  
98979



x2  
99234



x2  
120910



x2  
120907



x2  
142176



x2  
142176



x2  
142176



x1  
42971



x2  
42980



x2  
42985



x1  
135085



x1  
142182



x2  
86041



x1  
142177



x1  
142177



x1  
142178



x1  
142178



x2  
80954



x2  
43028



x2  
43082



x2  
43084



x1  
43092



x1  
44684



x1  
98905



x2  
43095



x2  
43868



x2  
94519



x4  
80920



x2  
79461



x1  
132781



x1  
122047



x1  
124559



x1  
94510



x1  
53353



x4  
43152



x1  
43154



x1  
43135



x1  
93232



x1  
43163



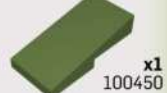
x2  
43171



x1  
142246



x2  
100850



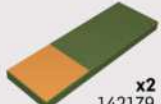
x1  
100450



x2  
112594



x2  
107859



x2  
142179



x2  
115526



x2  
111187



x2  
88652



x2  
43235



x2  
93960



x1  
43290



x1  
71718



x1  
142247



x1  
142221



x2  
142250



x2  
64206



x4  
142248



x2  
85007



x2  
85008



x1  
142181



x1  
93320



x1  
142183



x1  
142184



x1  
142242



x1  
107792



x1  
142245



x2  
92679



x1  
44330



x1  
142249



x4  
142251



x1  
43491



x4  
128358



x1  
142240



x2  
142220



x1  
142243



x1  
142244



x2  
98793



x2  
98331



x1  
110180



x1  
43044



x3  
82826



x2  
43225



x2  
43230



x1  
74004



x1  
135862



x1  
102602



x1  
141967




x2  
142094



x2  
62212



**DEWOITINE D.520**

 **5720**

**HISTORICAL  
COLLECTION**



**VICKERS WELLINGTON MK II**

 **5723**



**MORANE-SAULNIER MS.406**

 **5724**



**FOCKE-WULF FW 190 A5**

 **5722**





# HISTORICAL COLLECTION



USS-TANG (SS-306)

 4831



HMS HOOD

 4830





# HISTORICAL COLLECTION



MARK V (Male)  
2984



SOLDIERS OF THE GREAT WAR  
2051



INDEPENDENCE  
2980



FOKKER DR.1 "RED BARON"  
2986

WWW.COBI.EU

02-02987-168

For  
news and  
special deals

Find us on:  
  [cobi.bricks](https://www.facebook.com/cobi.bricks)  
[cobi.klockki](https://www.instagram.com/cobi.klockki)  
 COBI SA