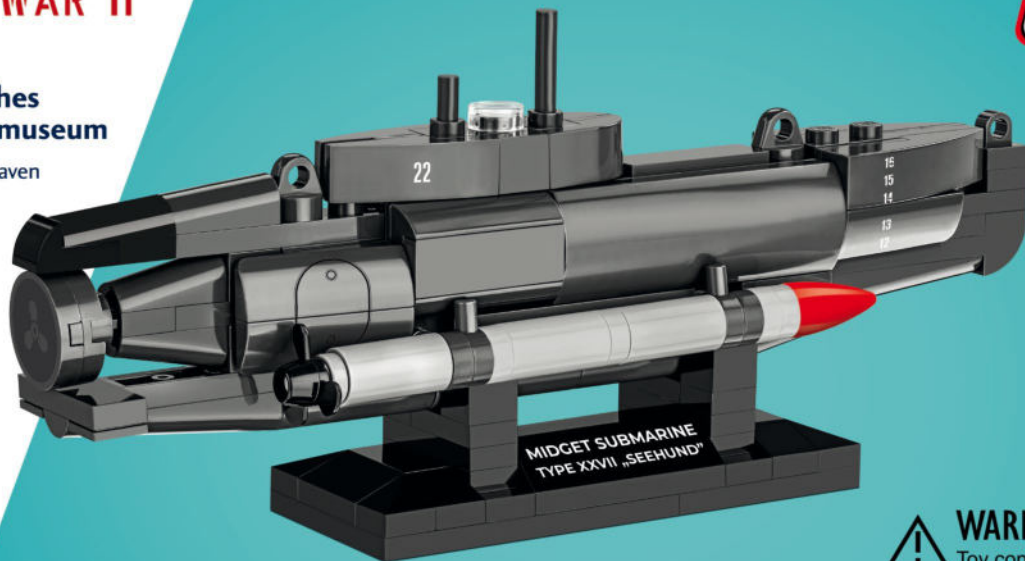


HISTORICAL COLLECTION

WORLD WAR II



Deutsches
Marinemuseum
Wilhelmshaven



4846

Printed in EU

PAD PRINTED
NO STICKERS



WARNING: CHOKING HAZARD-
Toy contains small parts.
Not for children under 3 years.



PEFC Certified
This product is from
sustainability managed
forests and controlled
sources



UK
CA

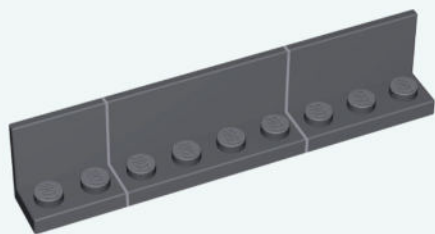


181 

U-BOAT XXVII "SEEHUND"

SCALE 1:72

1



x1

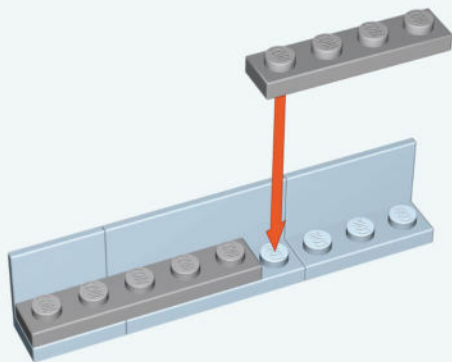


x1



x1

2

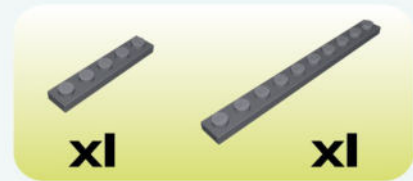
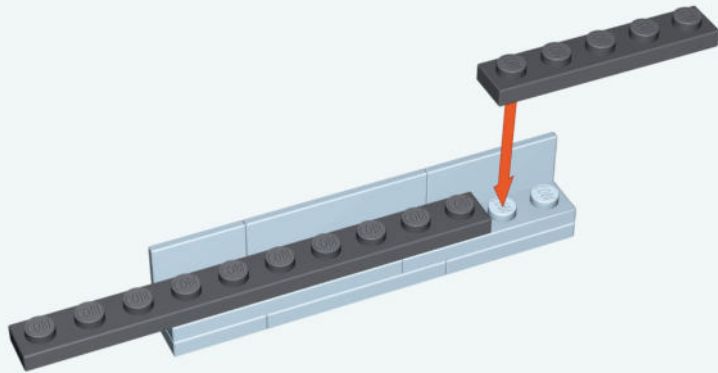


x1

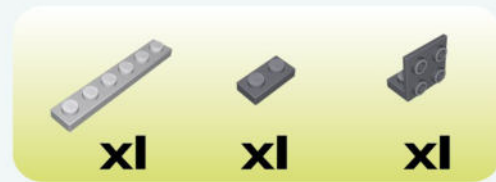
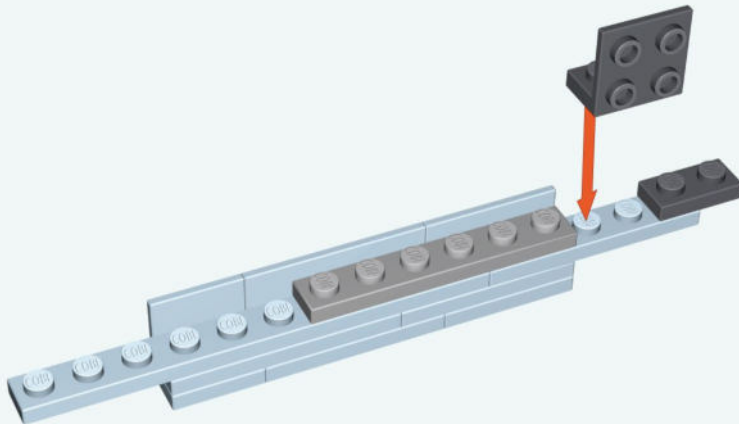


x1

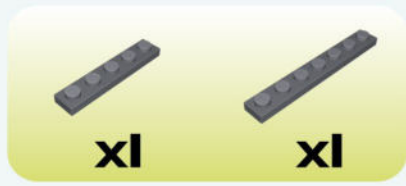
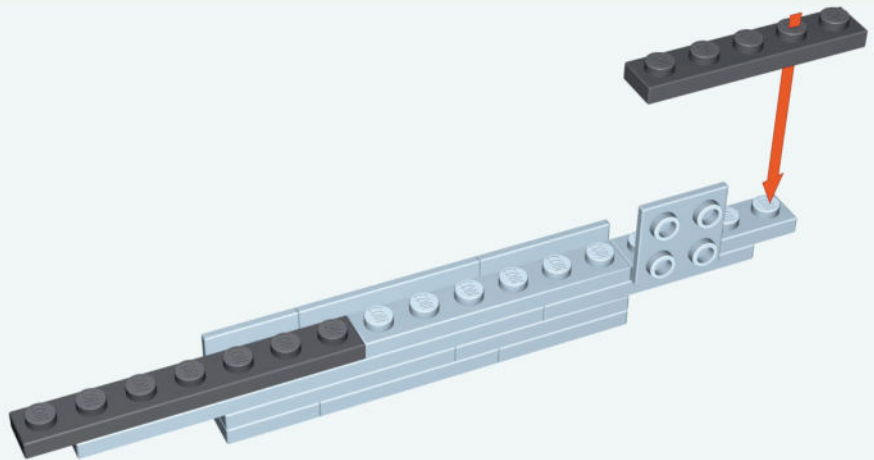
3



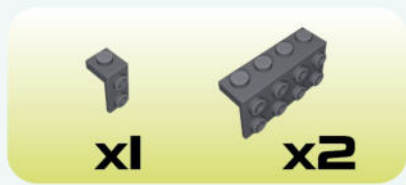
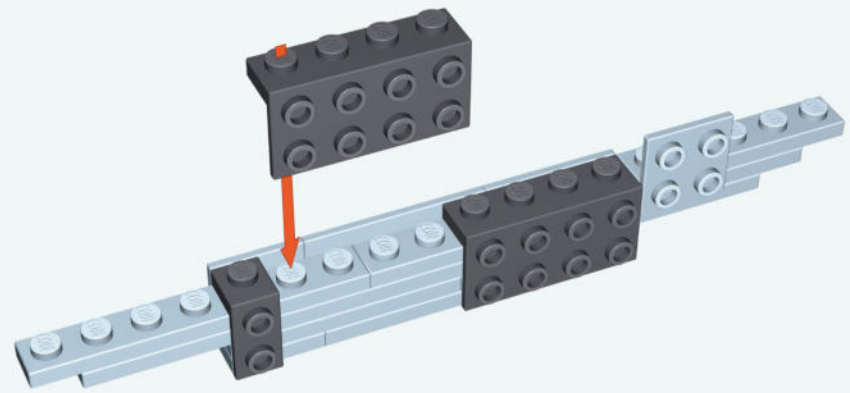
4



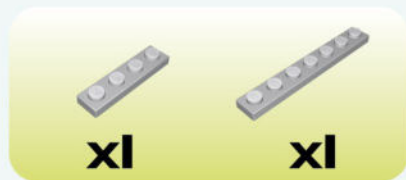
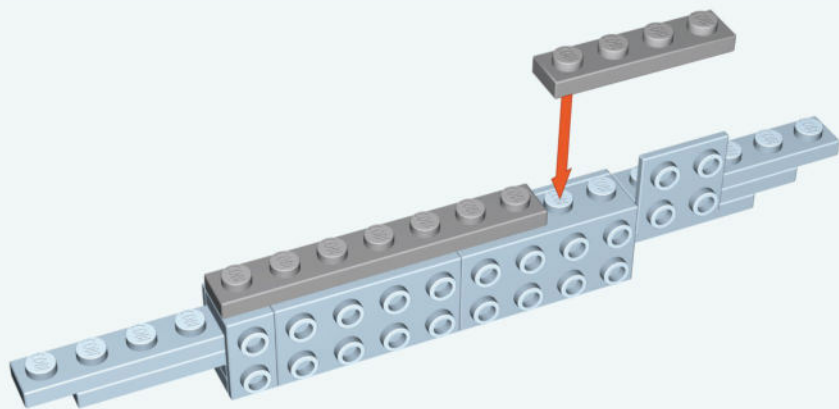
5



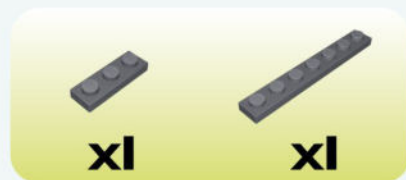
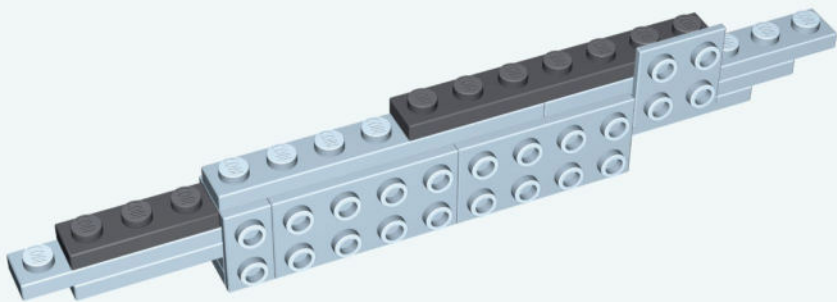
6



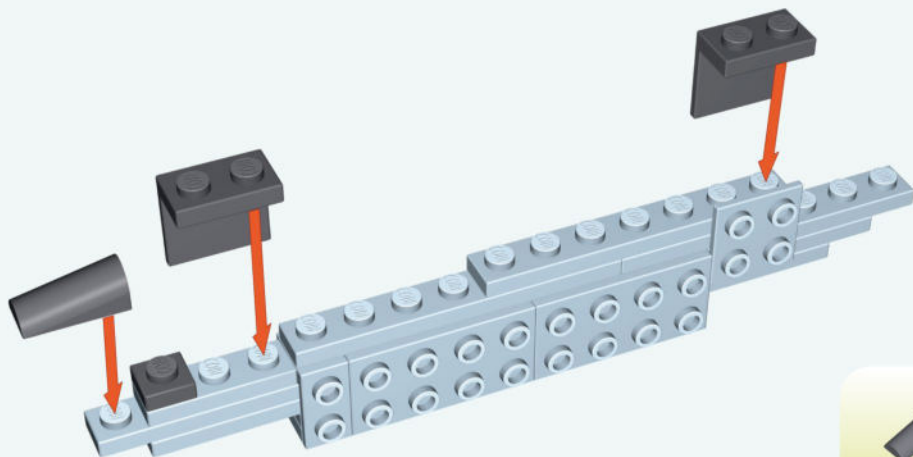
7



8



9



x1



x1



x2

10



x1



x1

11



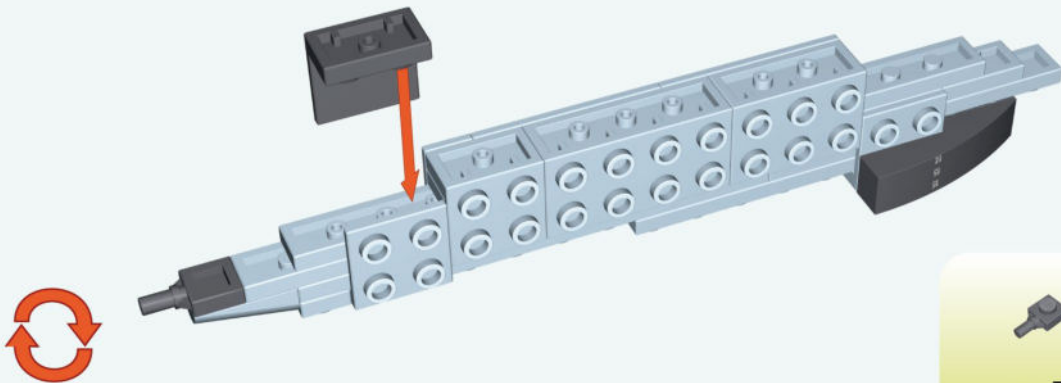
x1

12



x1

13

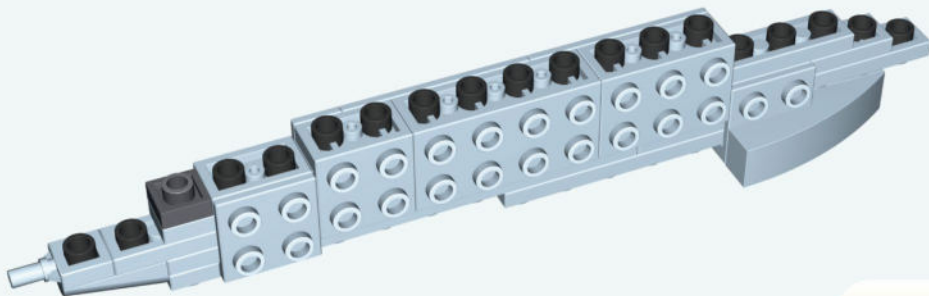
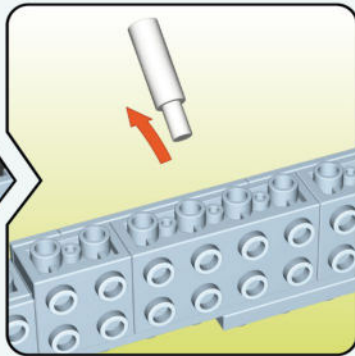
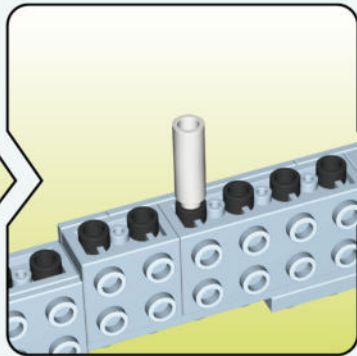
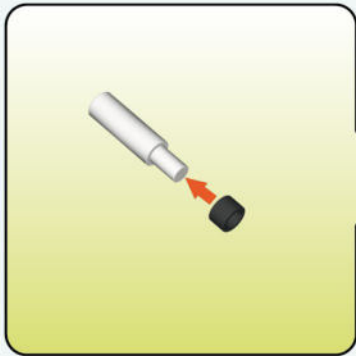


x1



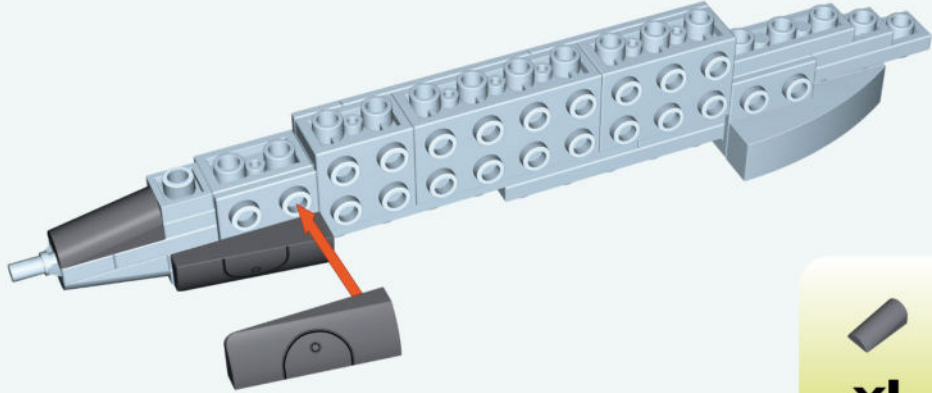
x1

14



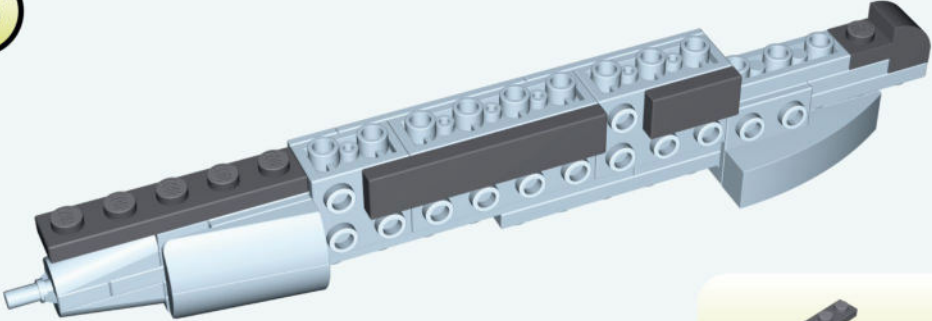
 
x18 **x1**

15







 **x1**
  **x1**
  **x1**

16

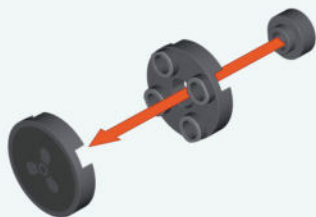


1:1

1:1

 **x1**
  **x1**
  **x1**
  **x1**

17



x1

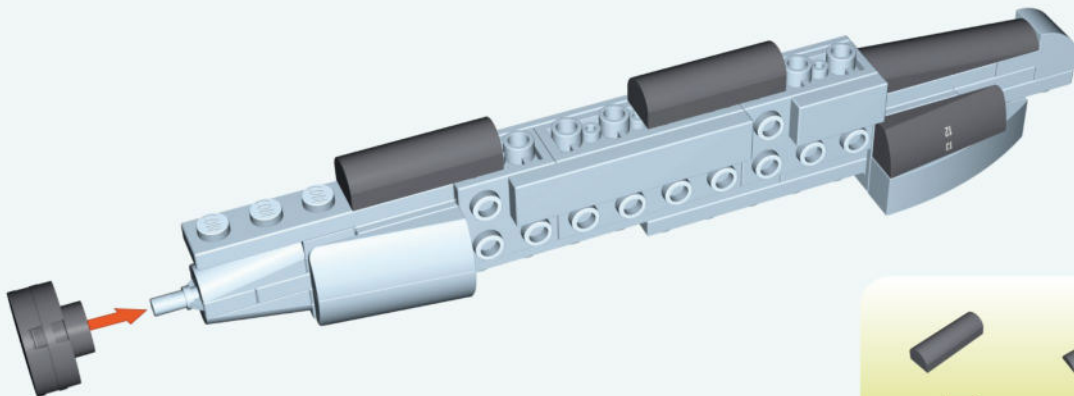


x1



x1

18



x2

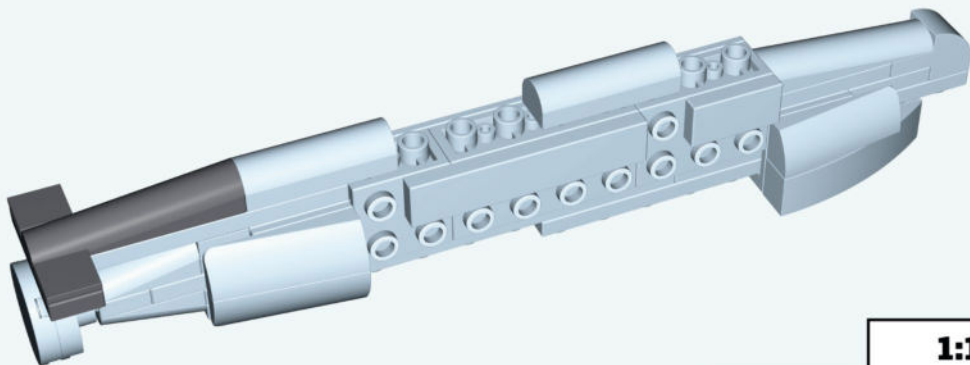
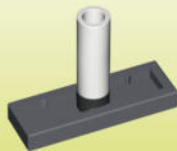


x1



x1

19



1:1



x1



x1

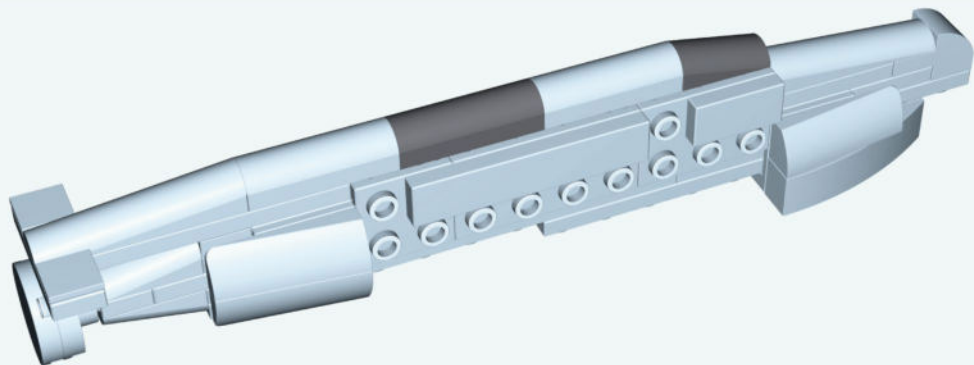


x2



x1

20



x1



x1

21

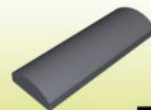
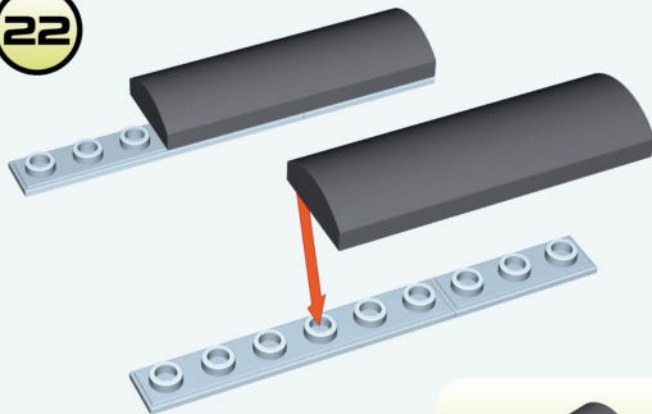


x2



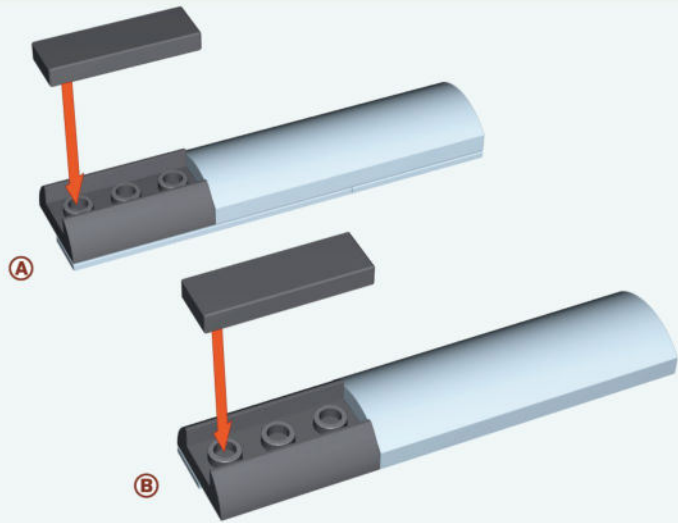
x2

22



x2

23



1:1

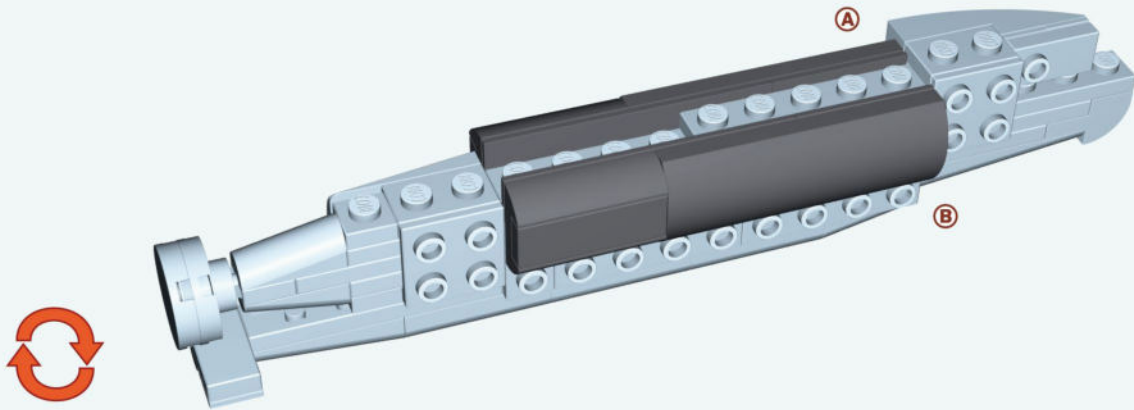


x2

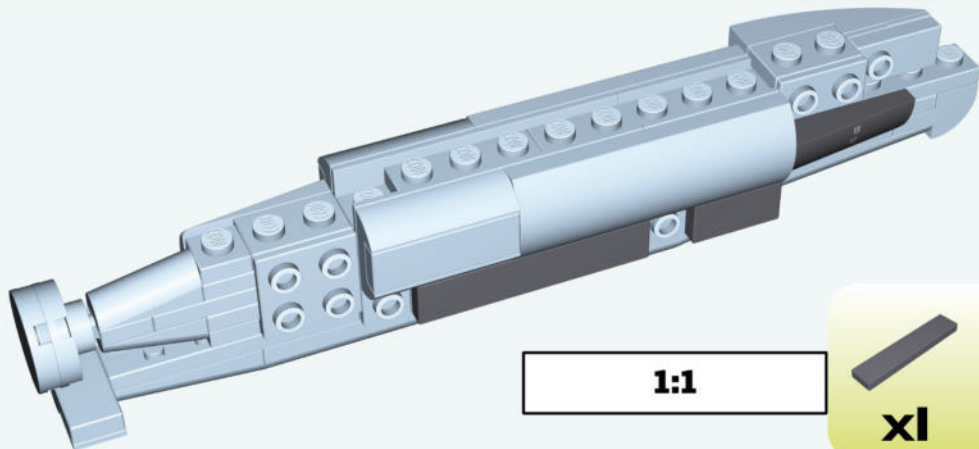


x2

24



25



1:1

1:1



x1



x1



x1

26



x1

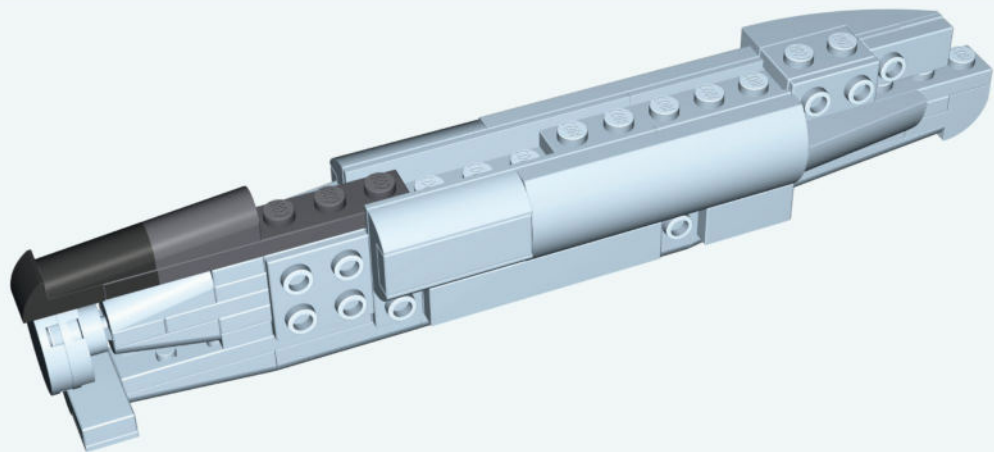


x1

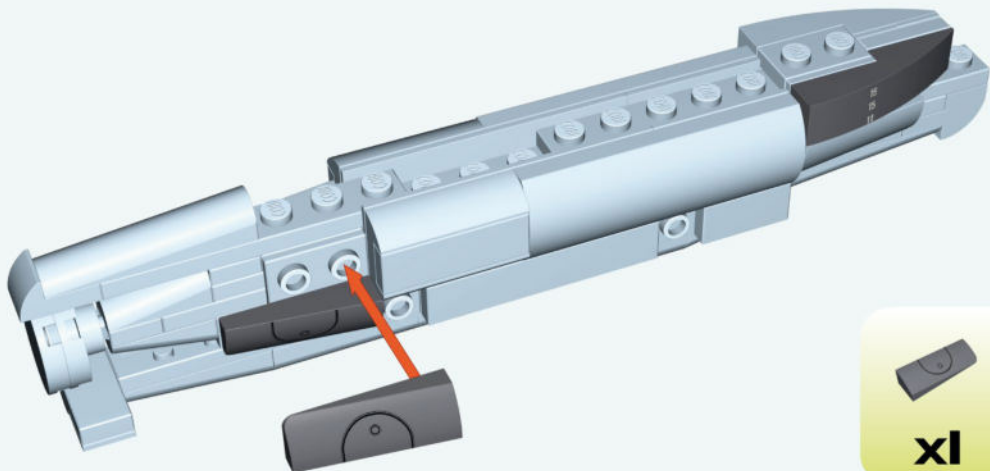


x1

27



28



x1

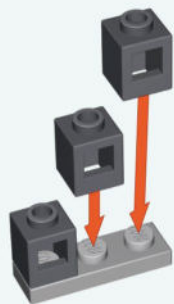


x1



x1

29

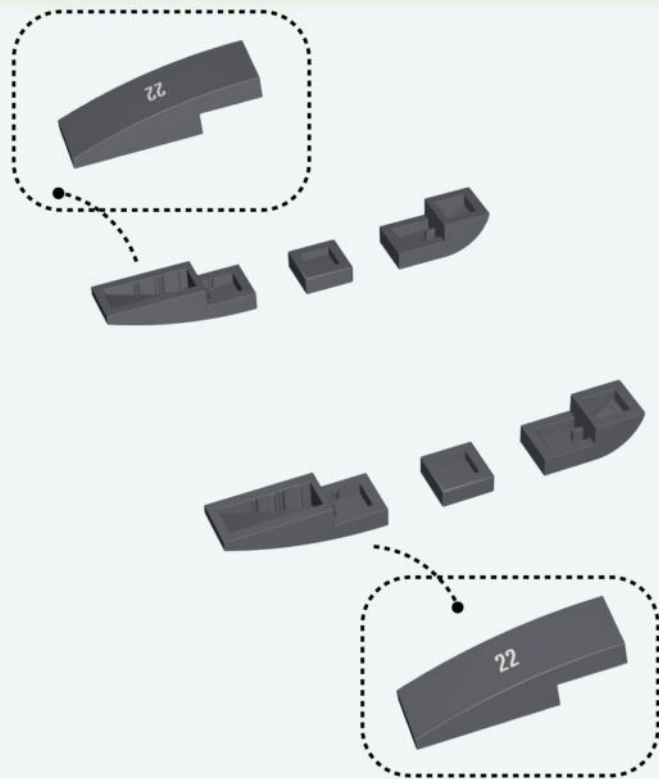


x1



x3

30



x1



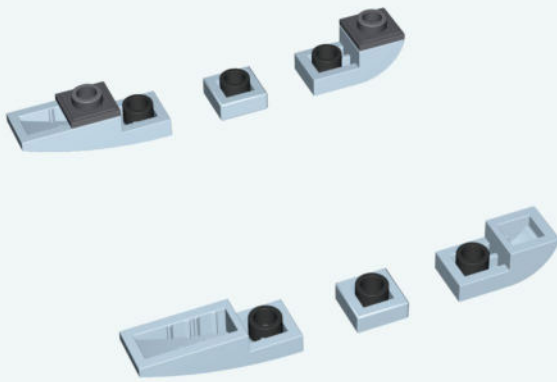
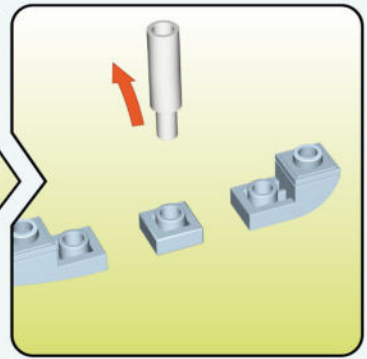
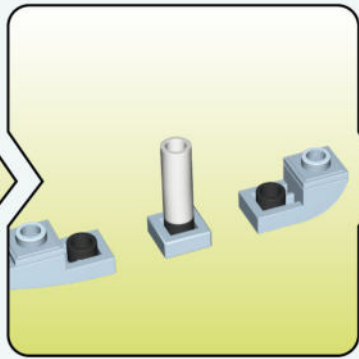
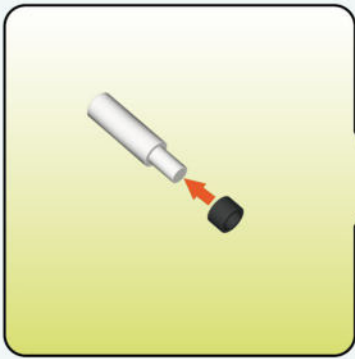
x1



x2

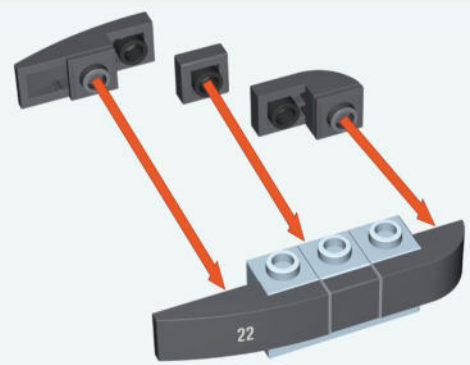


x2

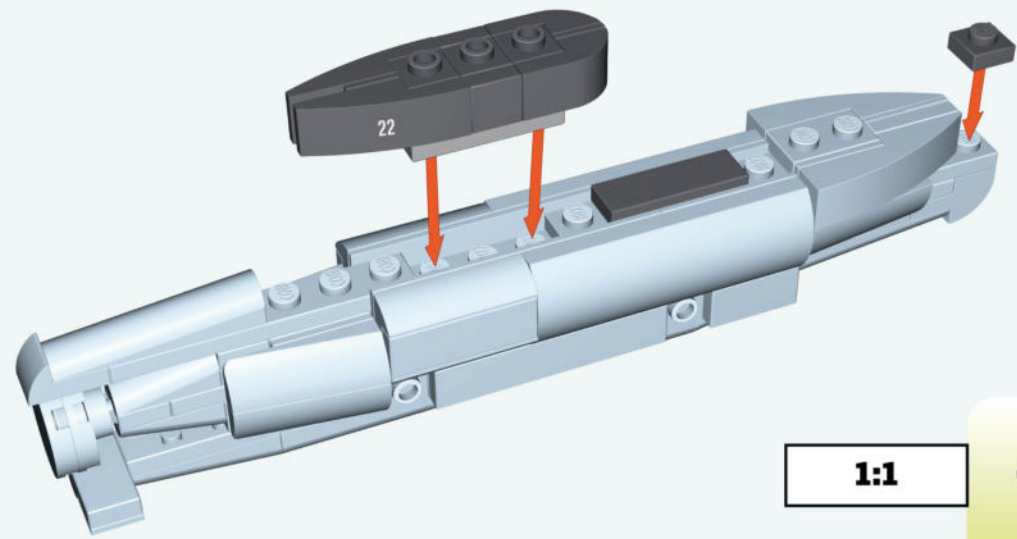


| | |
|---|---|
|  |  |
| x2 | x6 |

32



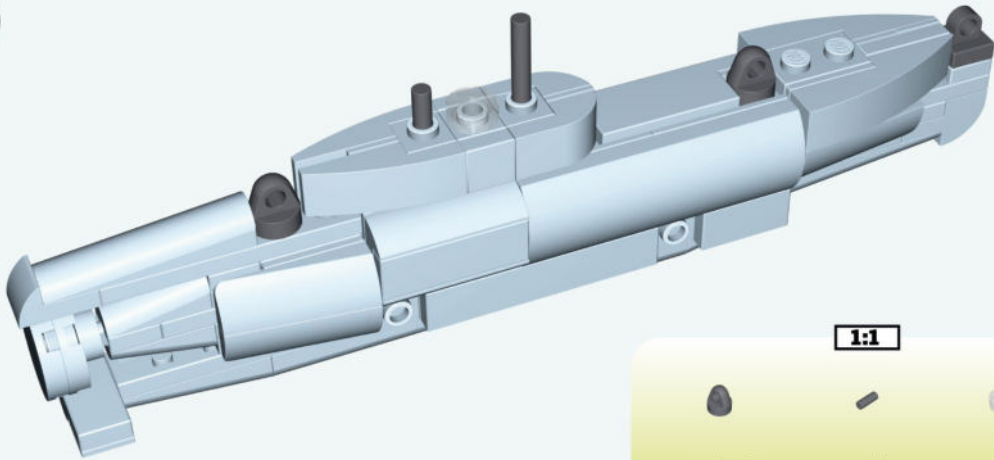
33



1:1

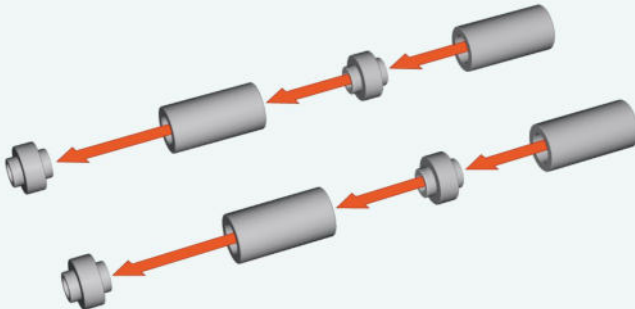
| | |
|-----------|-----------|
| | |
| x1 | x1 |

34



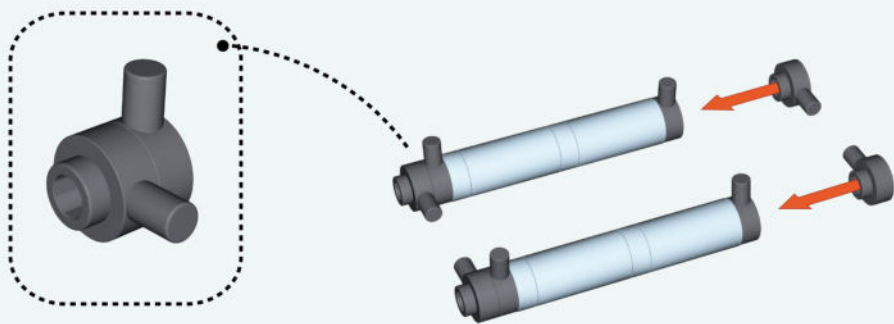
| | | | | |
|---|--|---|---|---|
|  |  |  |  |  |
| x2 | x1 | x1 | x1 | x1 |

35



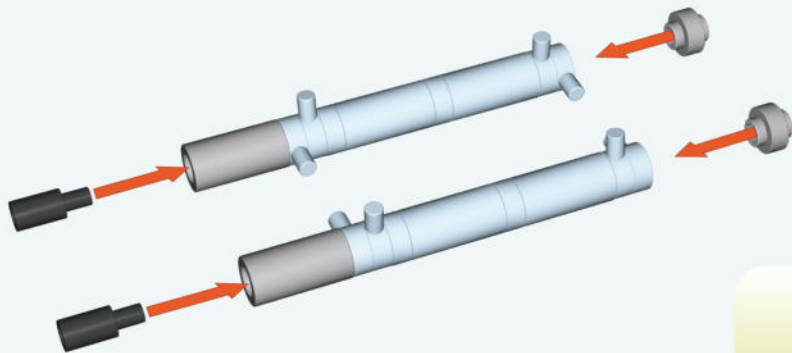
| | |
|---|---|
|  |  |
| x4 | x4 |

36



x8

37



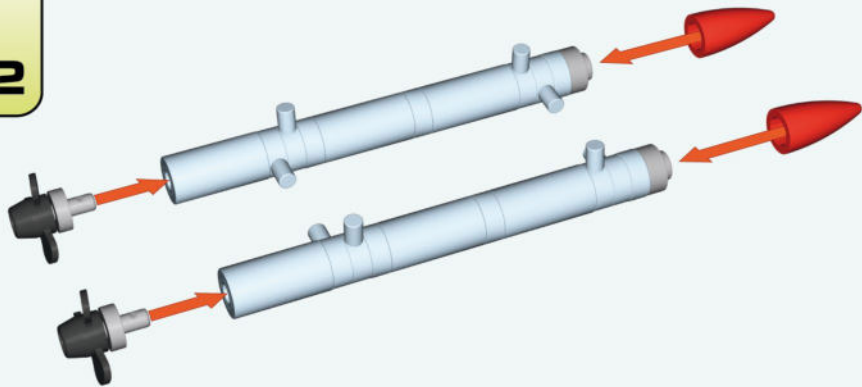
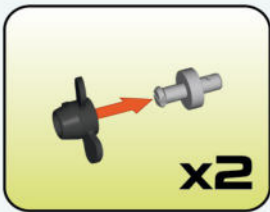
x2






x2

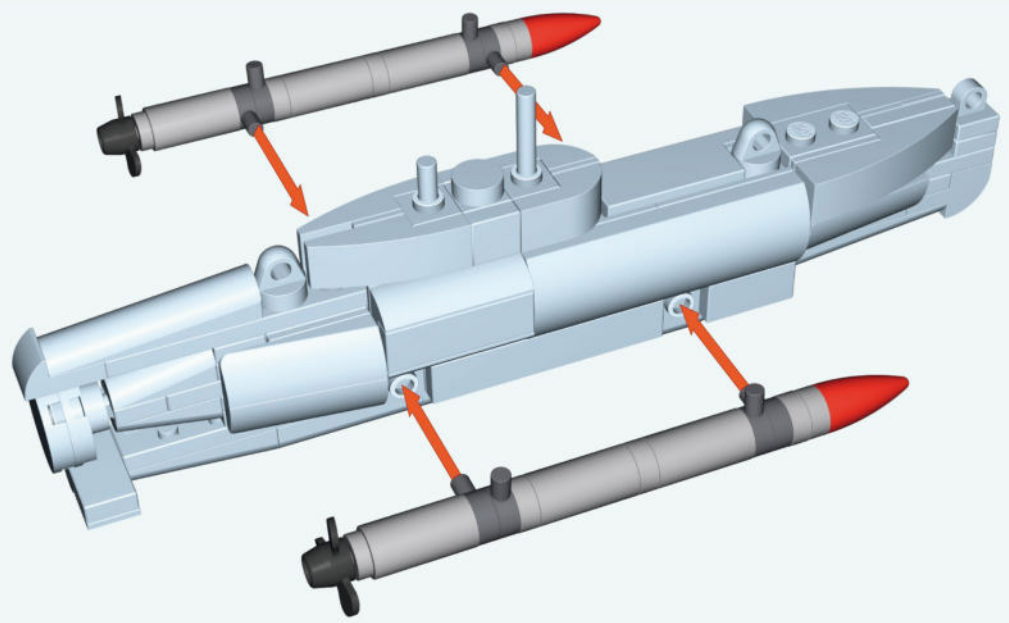


x2

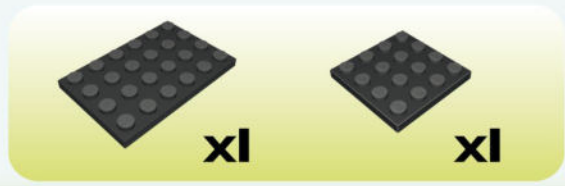
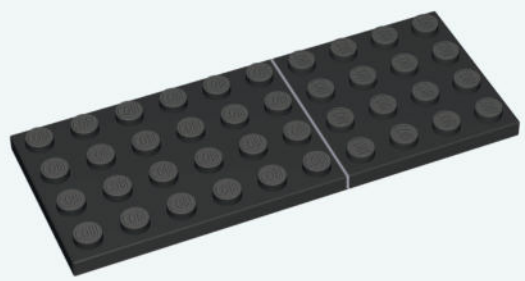


| | | | |
|---|---|---|---|
|  |  |  |  |
| x2 | x2 | x2 | x2 |

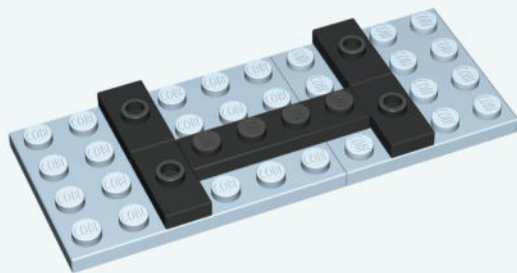
39



40



41

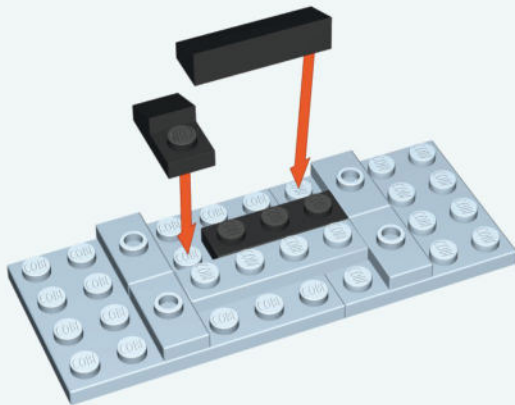


x4



x1

42



x1

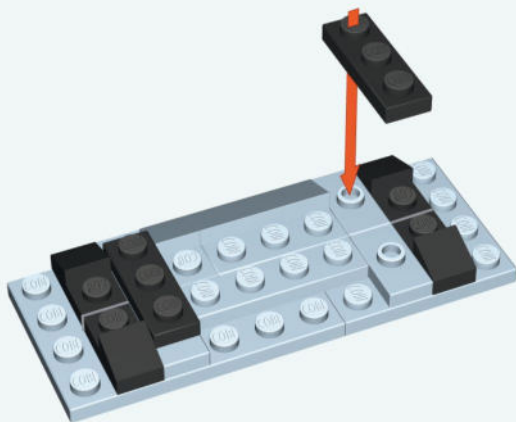


x1



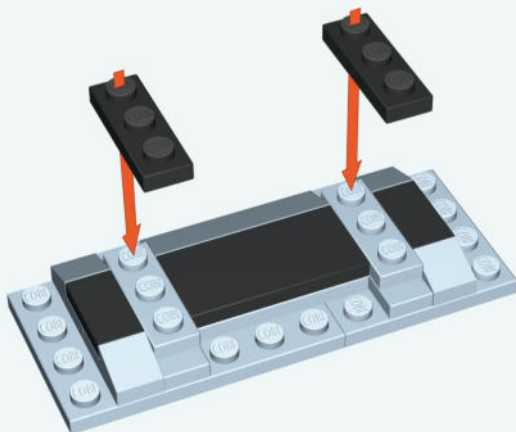
x1

43



x4 x2

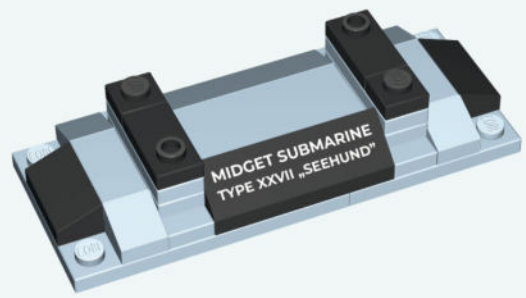
44



1:1

x2 x2 x1

45



x2



x2

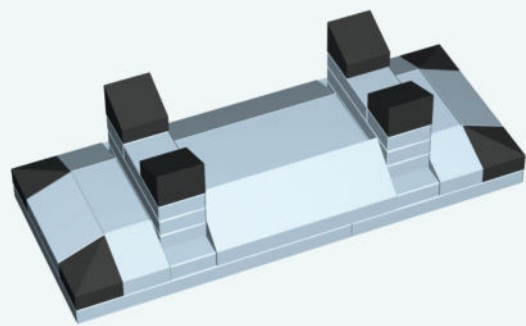


x2



x1

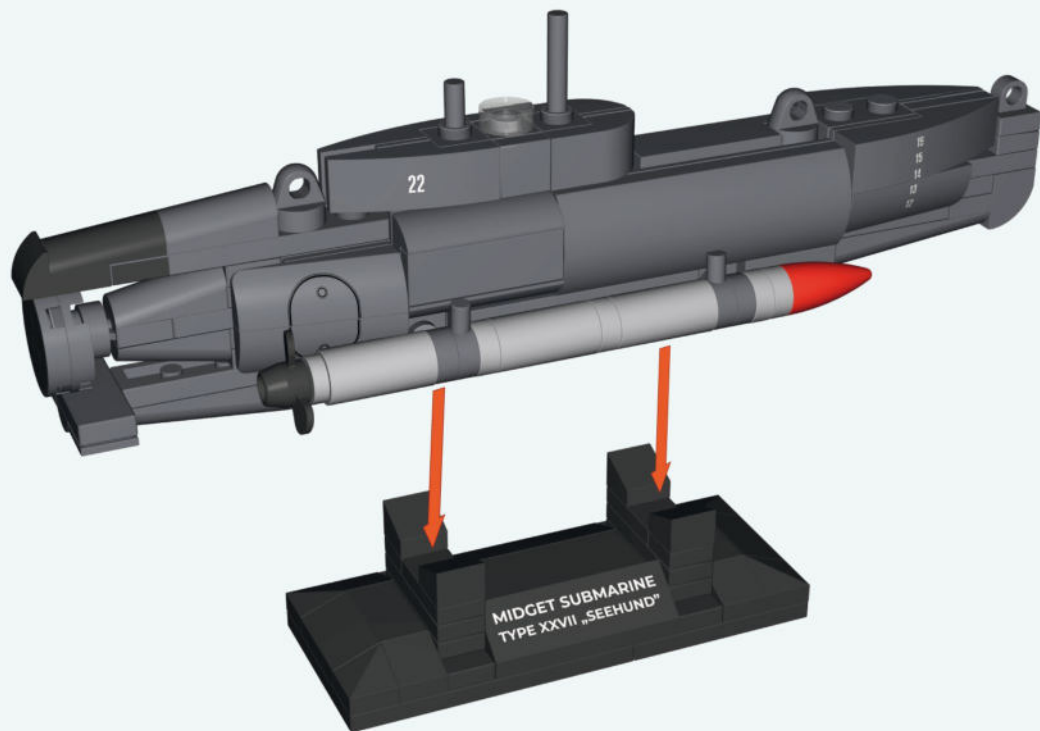
46

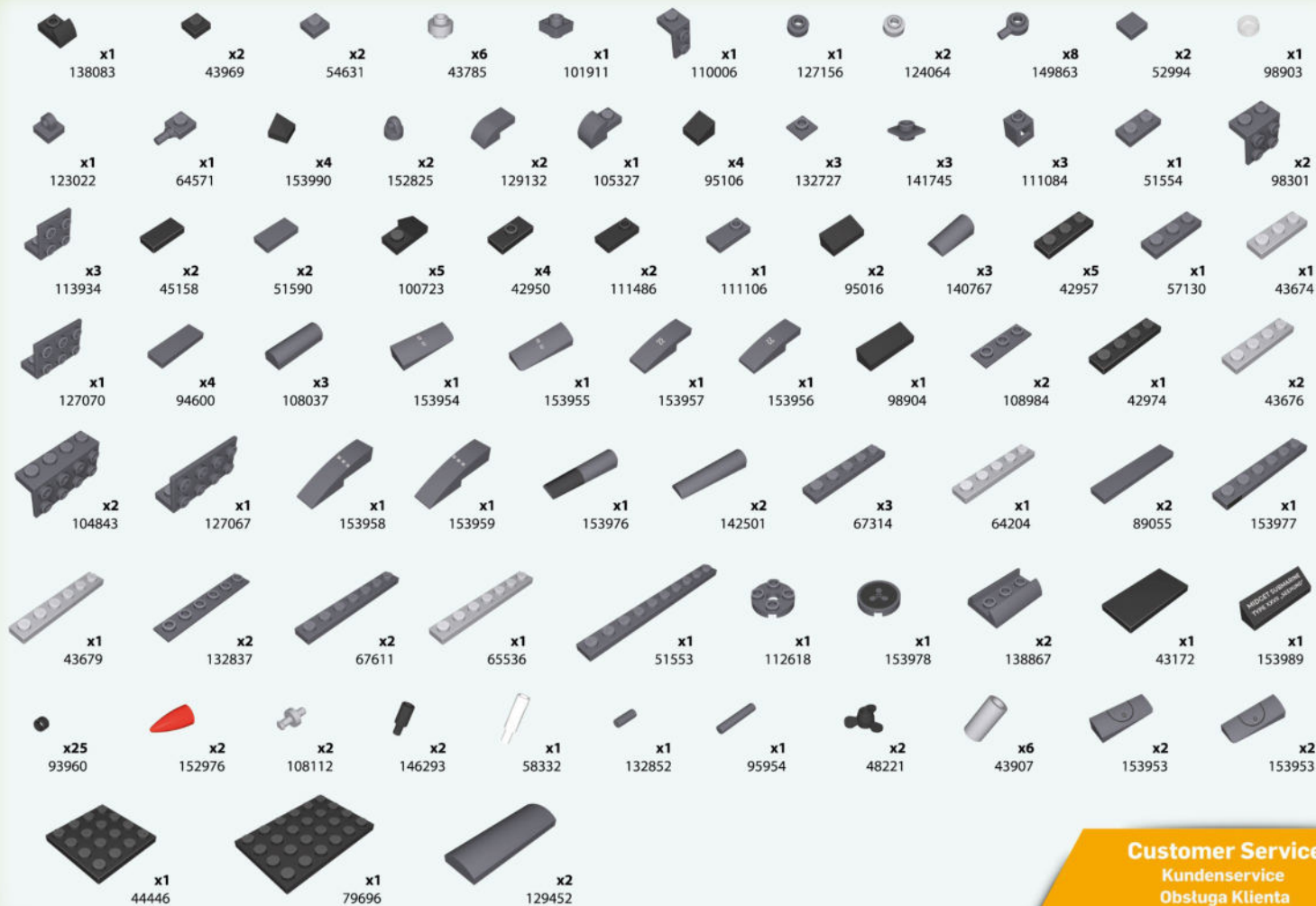


x4



x4







HISTORICAL COLLECTION



BATTLESHIP BISMARCK



WWW.COBIBRICKS.COM

17-04846-180

For
news and
special deals

Find us on:

