

ARMED FORCES



SAAB



SAAB JAS 39 GRIPEN E

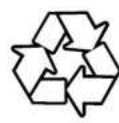
DELIVERY TO SWEDEN AND BRAZIL FROM 2021
 PLACE OF ORIGIN - SWEDEN
 ROLE - MULTI-ROLE FIGHTER
 WINGSPAN - 8,6m
 OVERALL LENGTH - 15,2m
 BASIC EMPTY WEIGHT - 8,000kg
 MAXIMUM TAKE-OFF WEIGHT - 16,500kg
 ENGINE - GE F414
 MAX THRUST - 98kN
 TAKE-OFF DISTANCE - 500m
 LANDING DISTANCE - 400m
 MAXIMUM SERVICE ALTITUDE - >16,000m (52,500ft)
 ARMAMENT - INTERNAL MAUSER BK-27mm, VARIOUS A/A and A/G WEAPON CONFIGURATIONS: AIR-TO-AIR: 2x WING TIP INFRA-RED IRIS-T MISSILES, 7x METEOR RADAR GUIDED MISSILES
 MAX SPEED - >MACH 2
 SUPERCRUISE CAPABILITY - YES
 G-LIMITS - 3 TO +9G
 COMBAT TURNAROUND TIME - <15min
 CREW - 1



5820

PAD PRINTED
NO STICKERS

Printed in EU



UK CA

CE



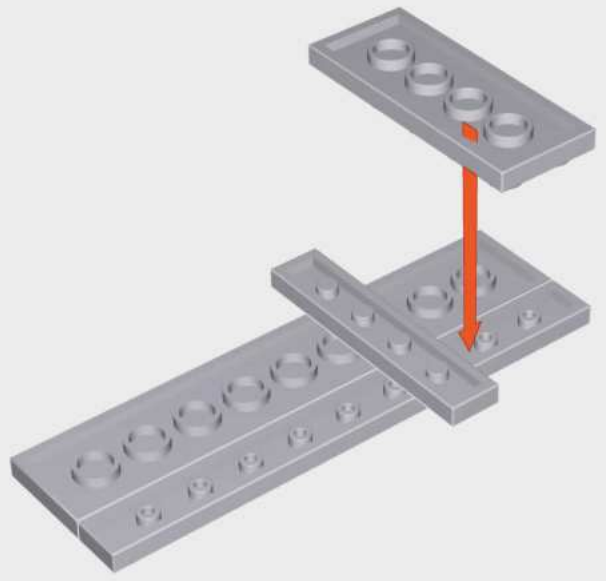
WARNING: CHOKING HAZARD-
 Toy contains small parts.
 Not for children under 3 years.

480

SAAB JAS 39 GRIPEN E

SCALE 1:48

1



x1



x1



x1

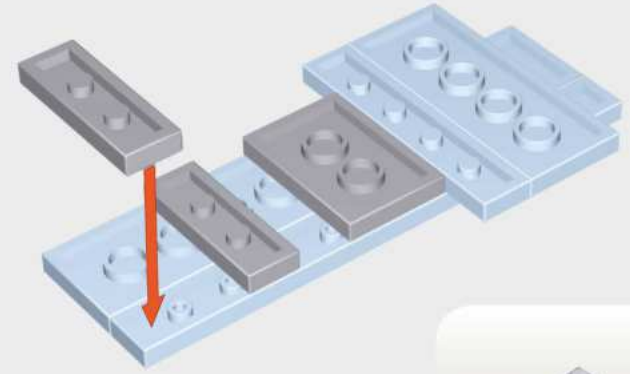


x1

BE CAREFUL: NOTICE THE DIFFERENCE



2

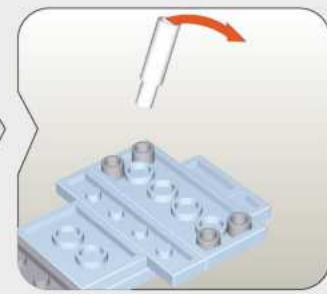
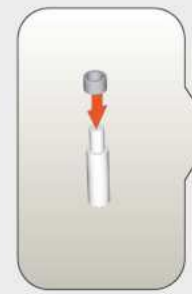


x2



x1

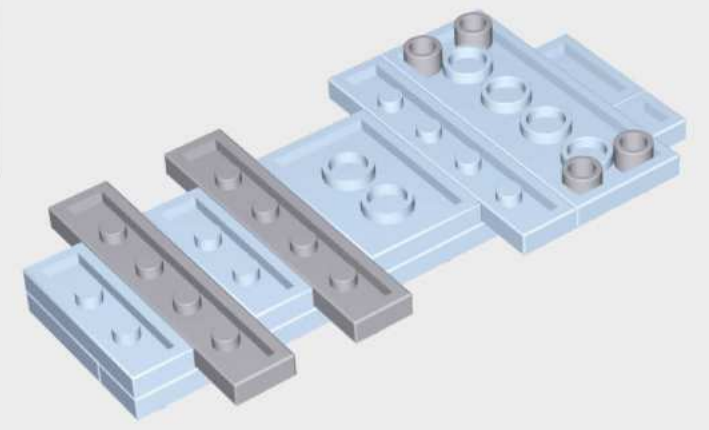
3



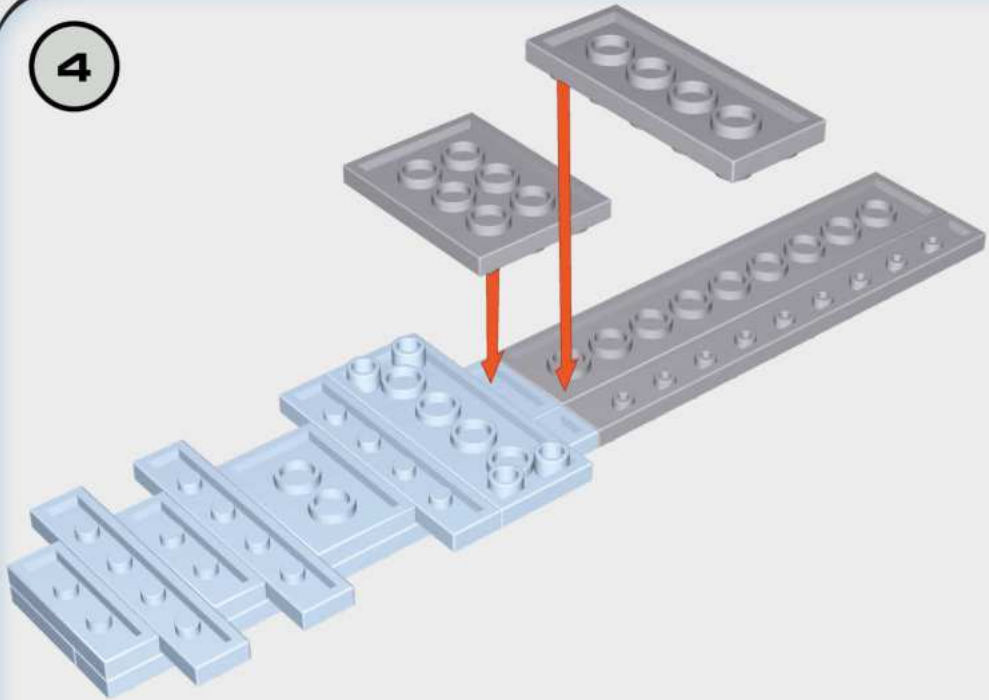
x2



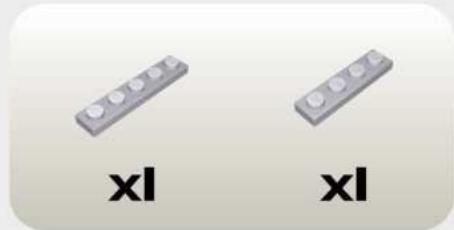
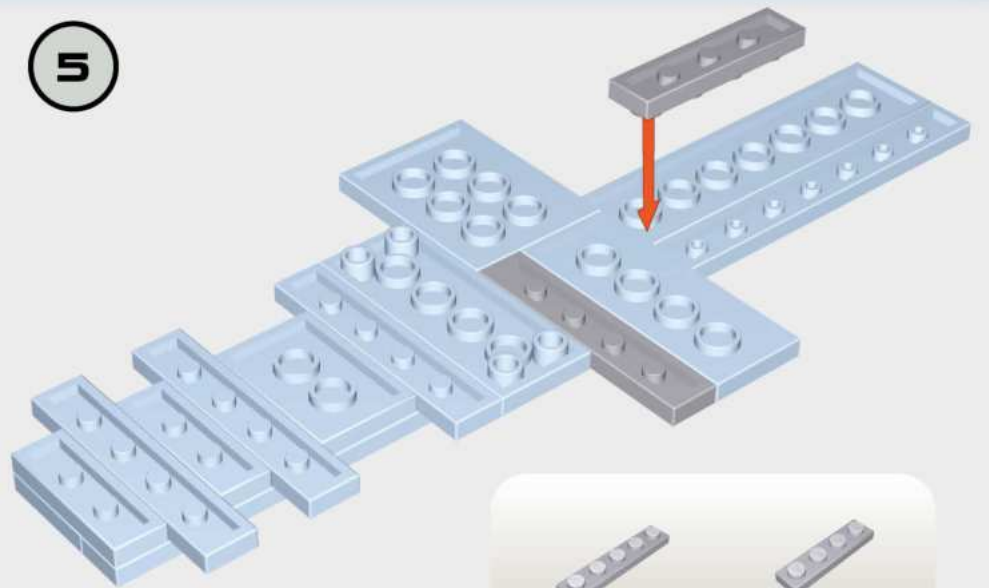
x4



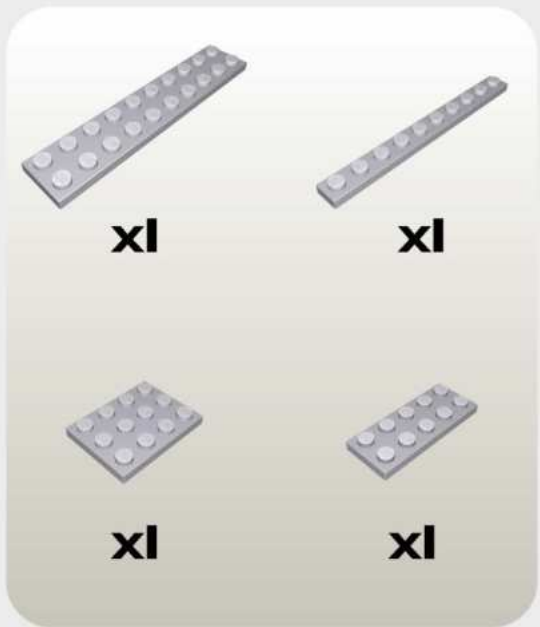
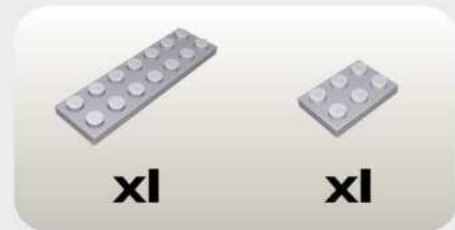
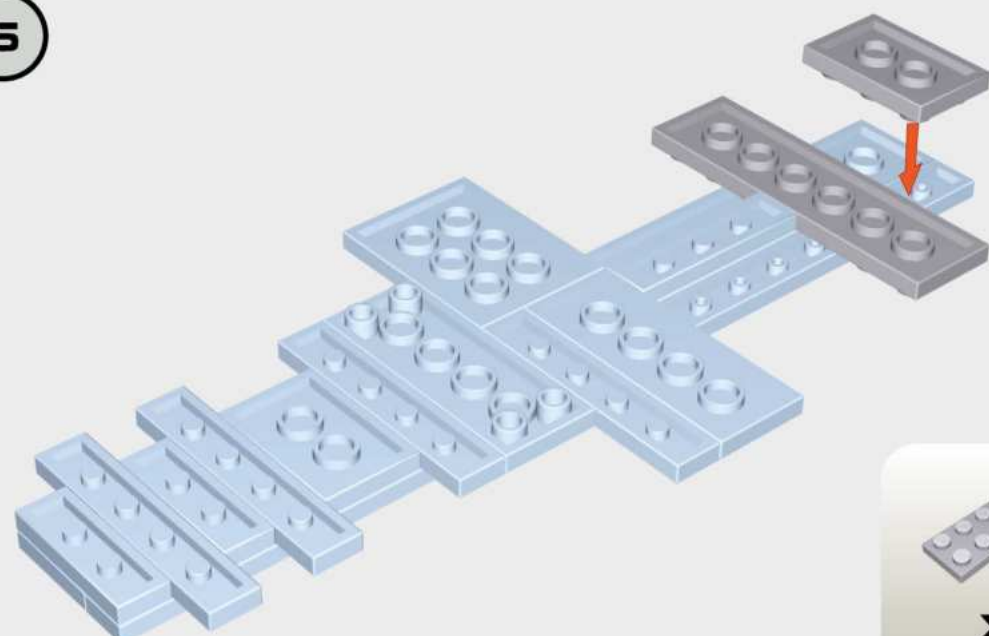
4



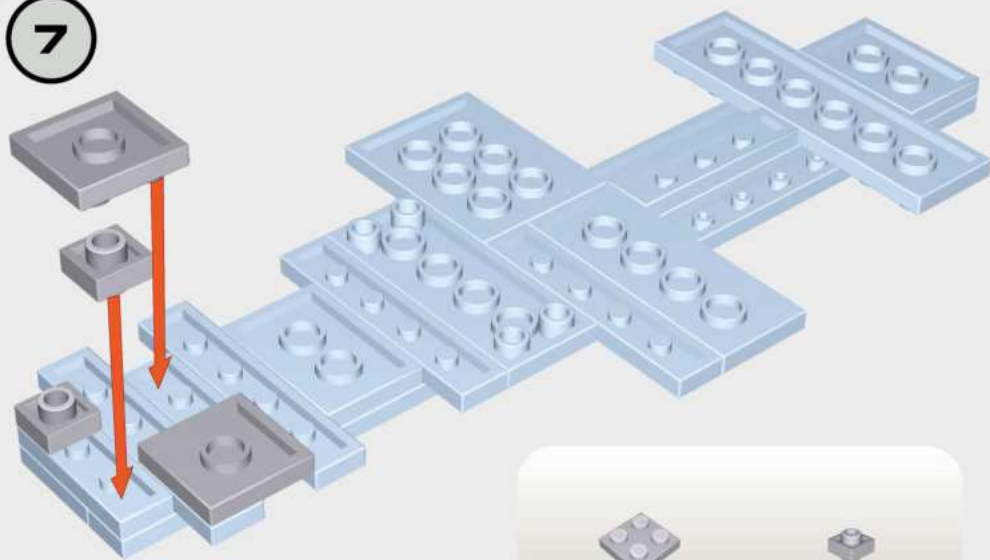
5



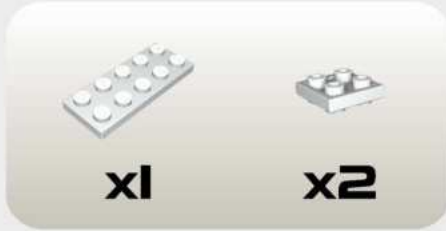
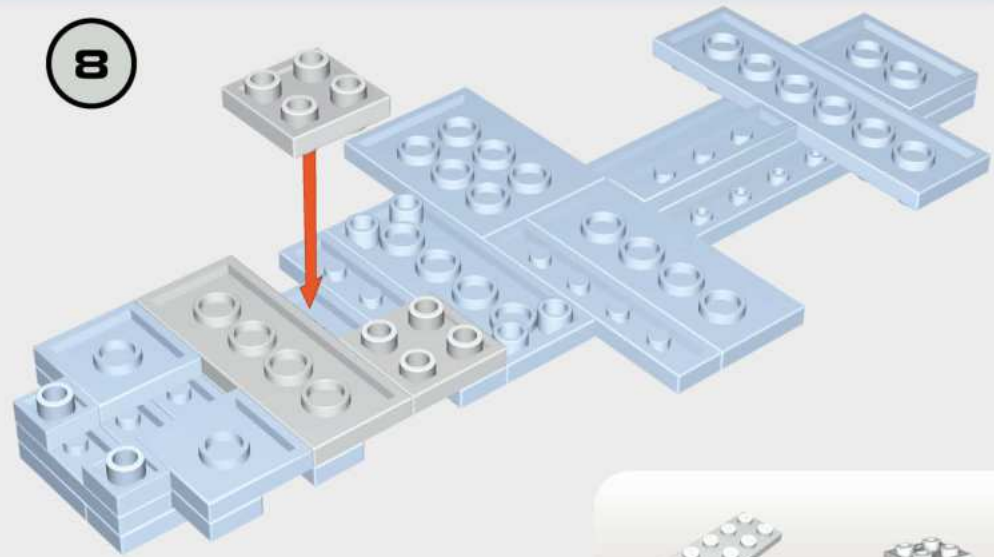
6



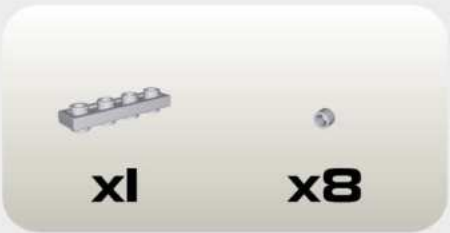
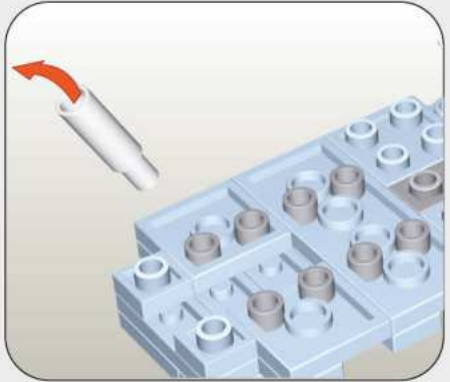
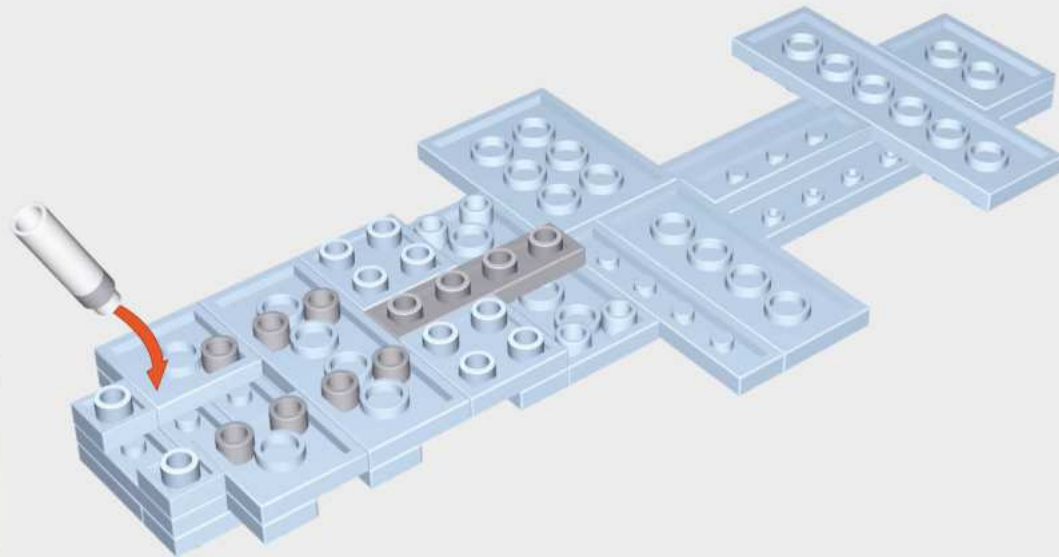
7



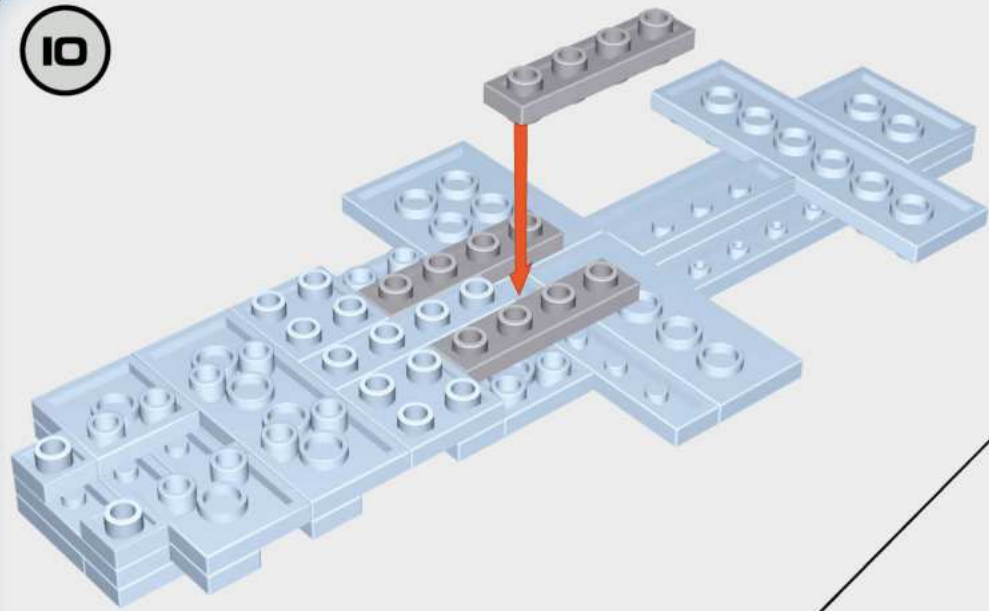
8



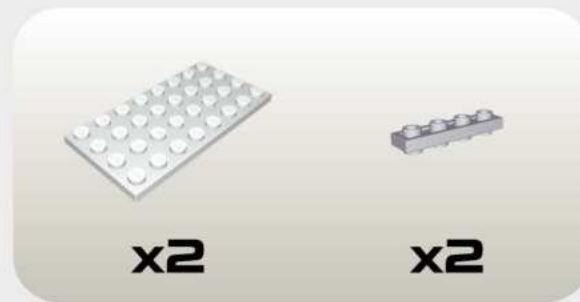
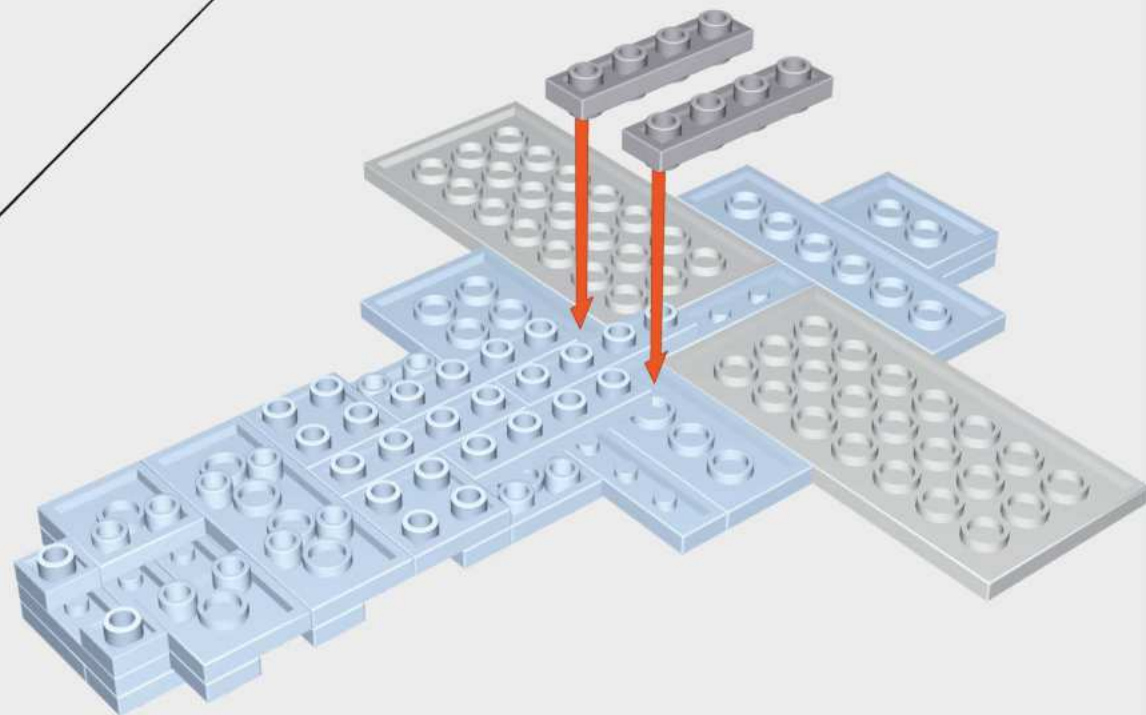
9



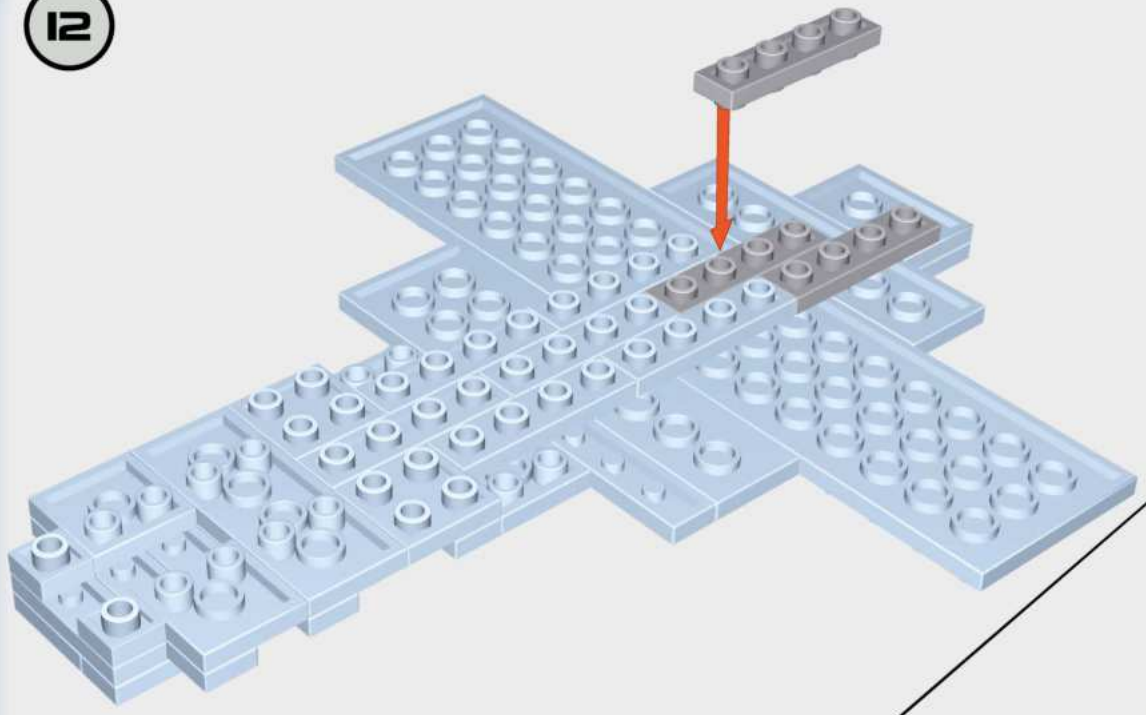
10



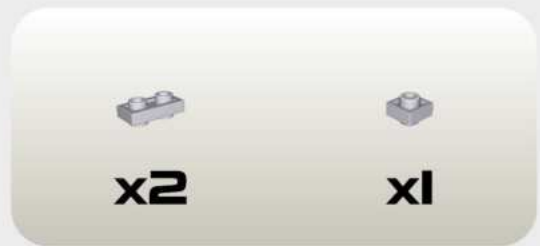
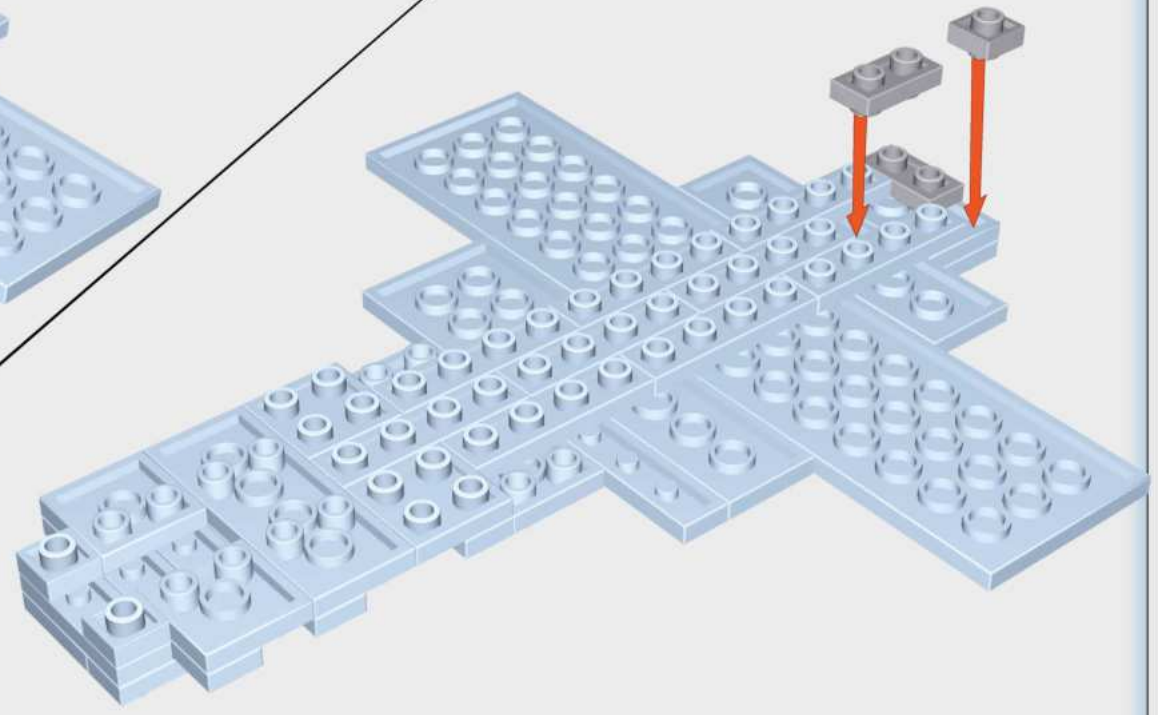
11



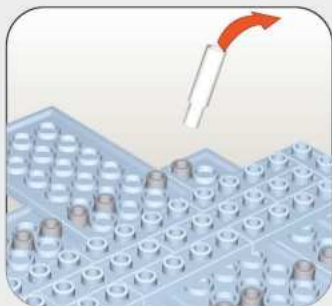
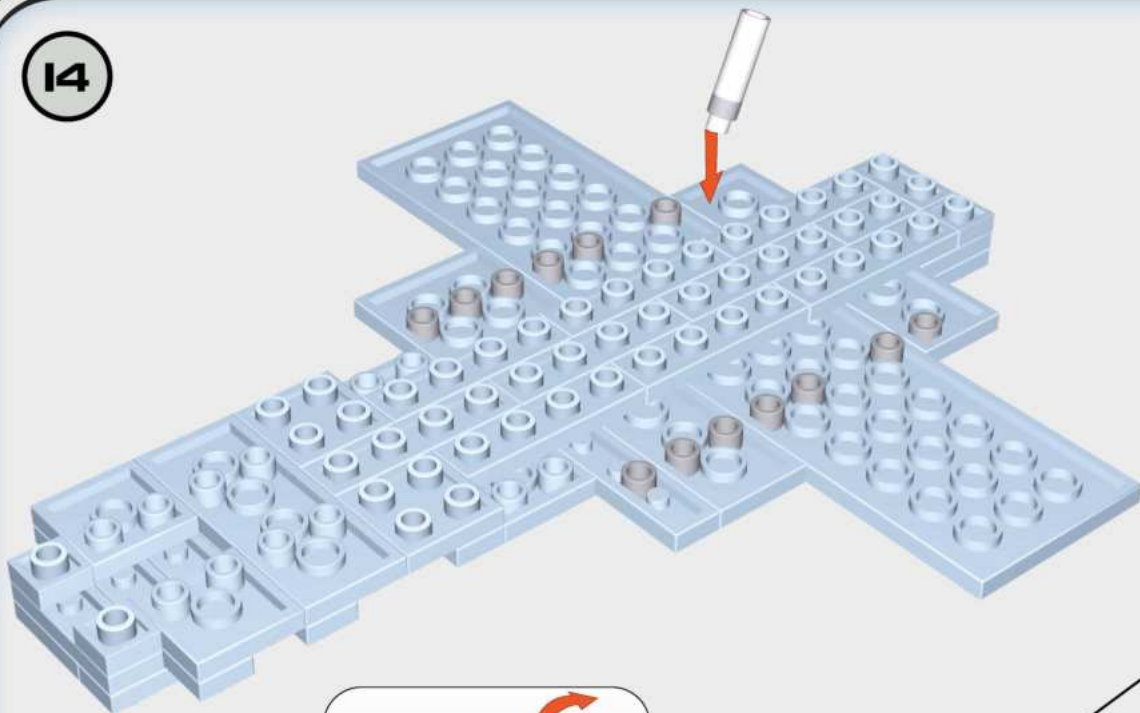
12



13

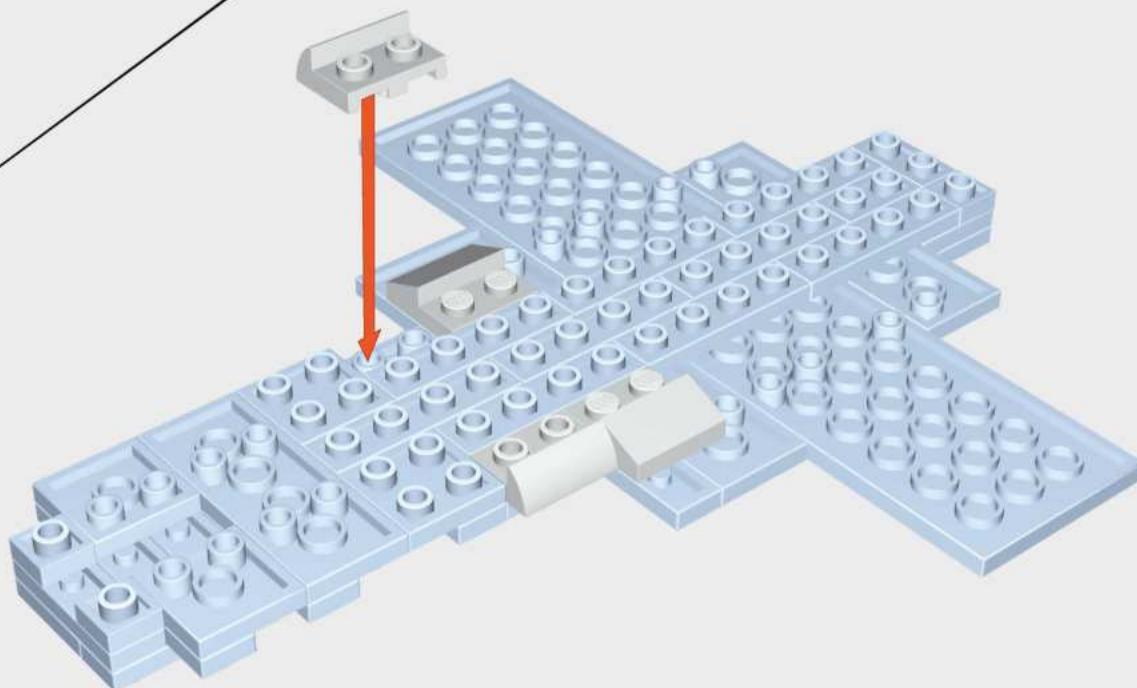


14



x14

15



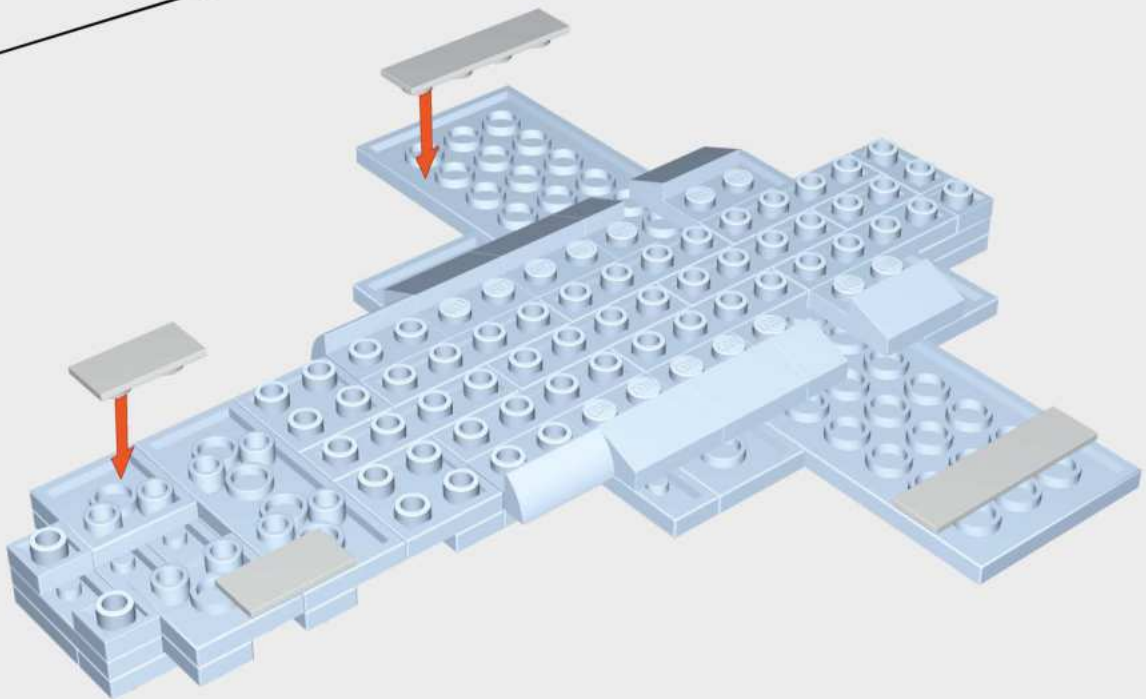
16





Assembly list for step 16:

-  x4
-  x2

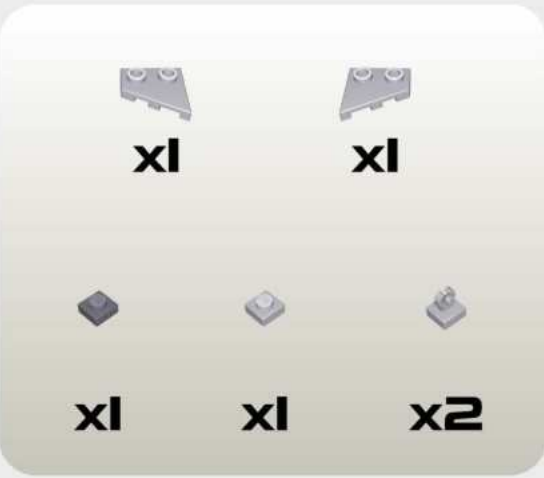
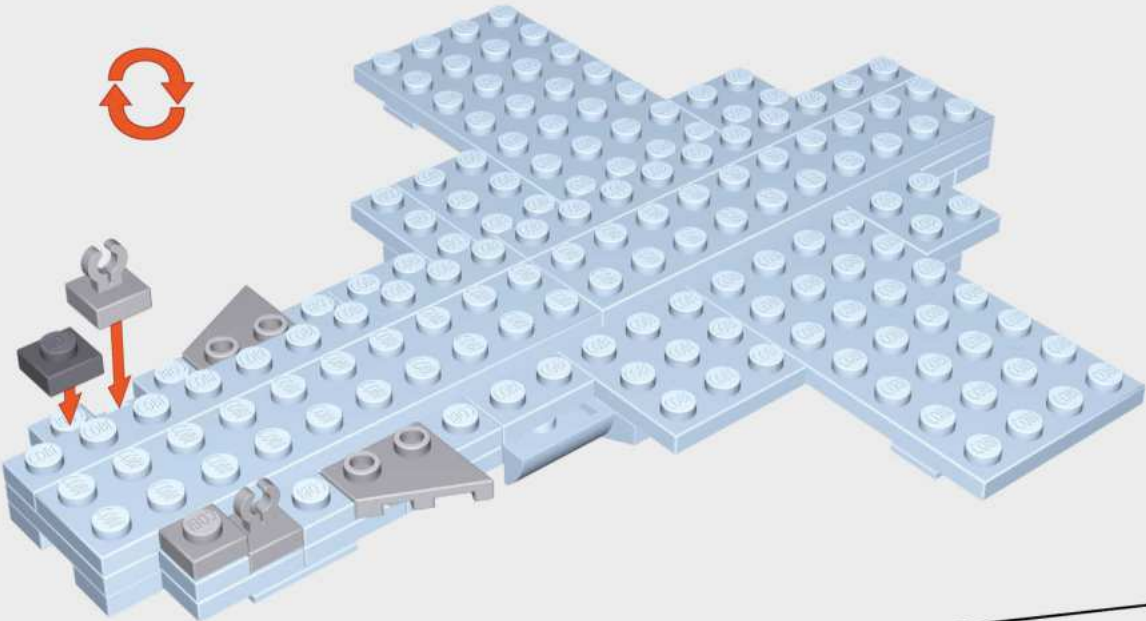
17



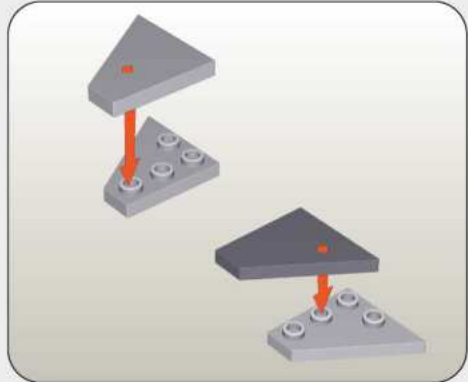
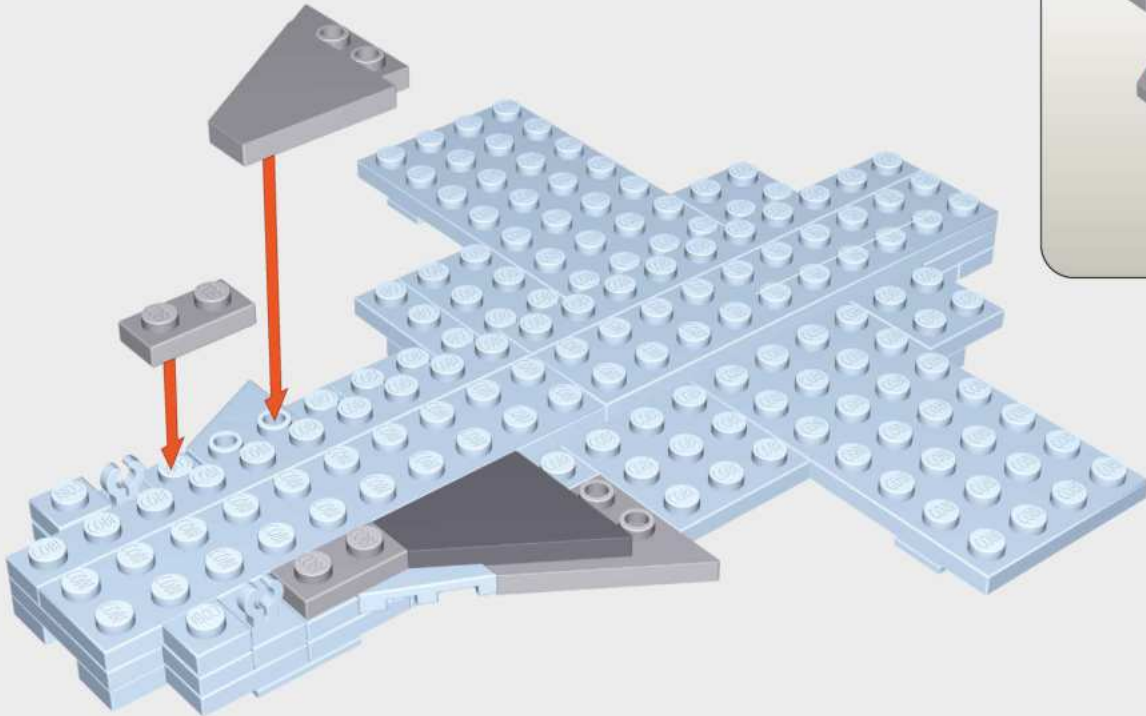
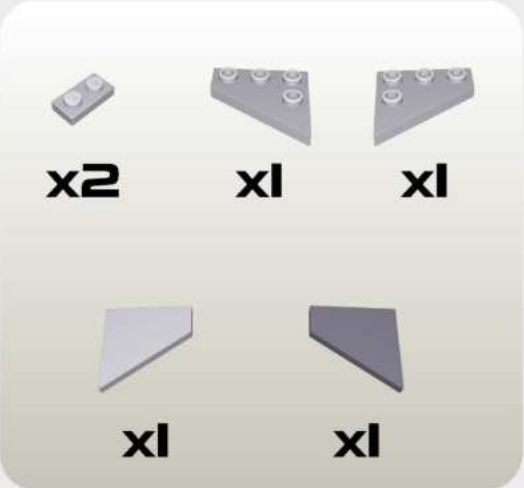
Assembly list for step 17:

-  x2
-  x2

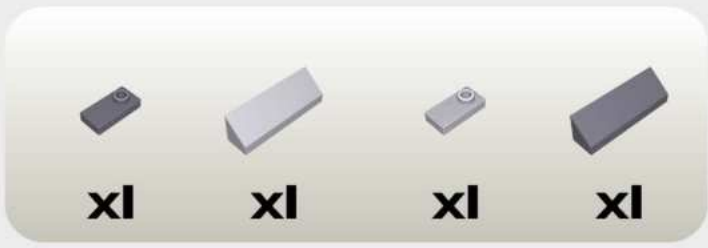
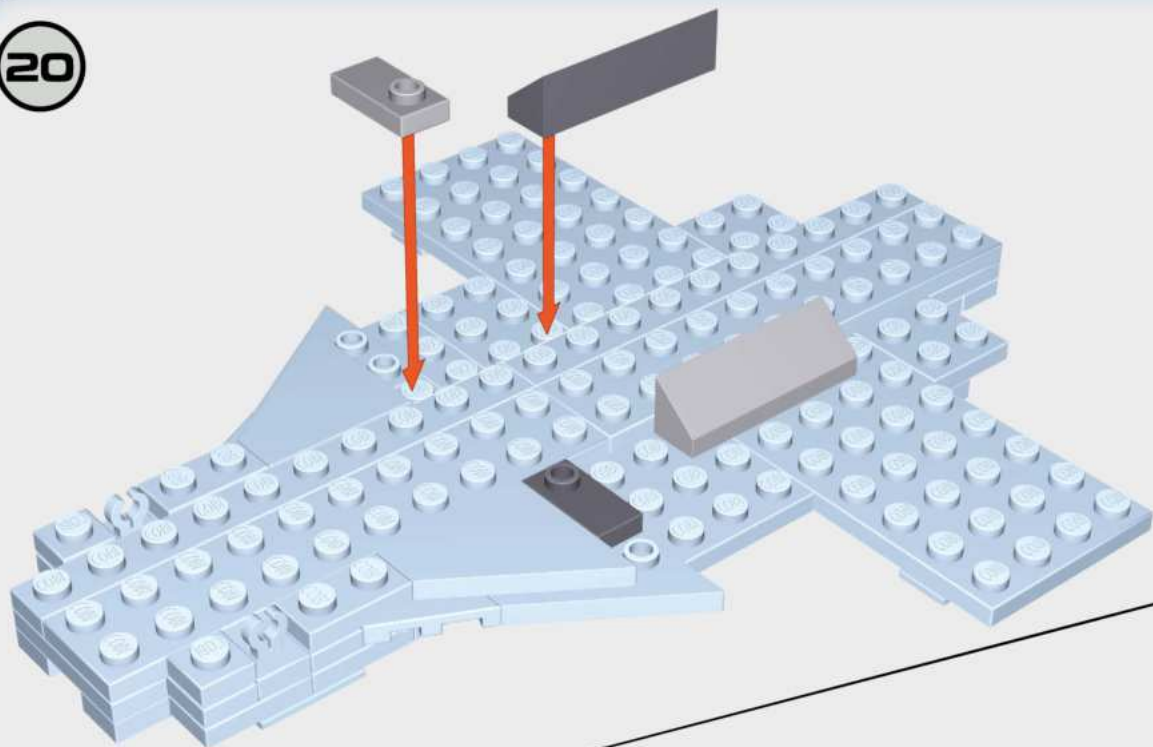
18



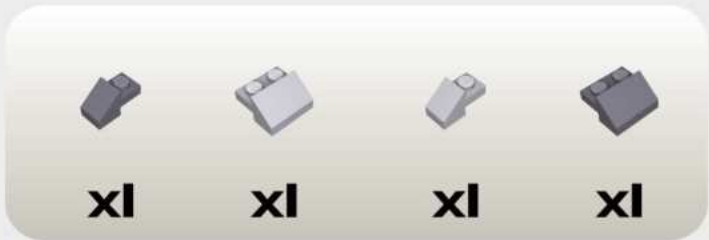
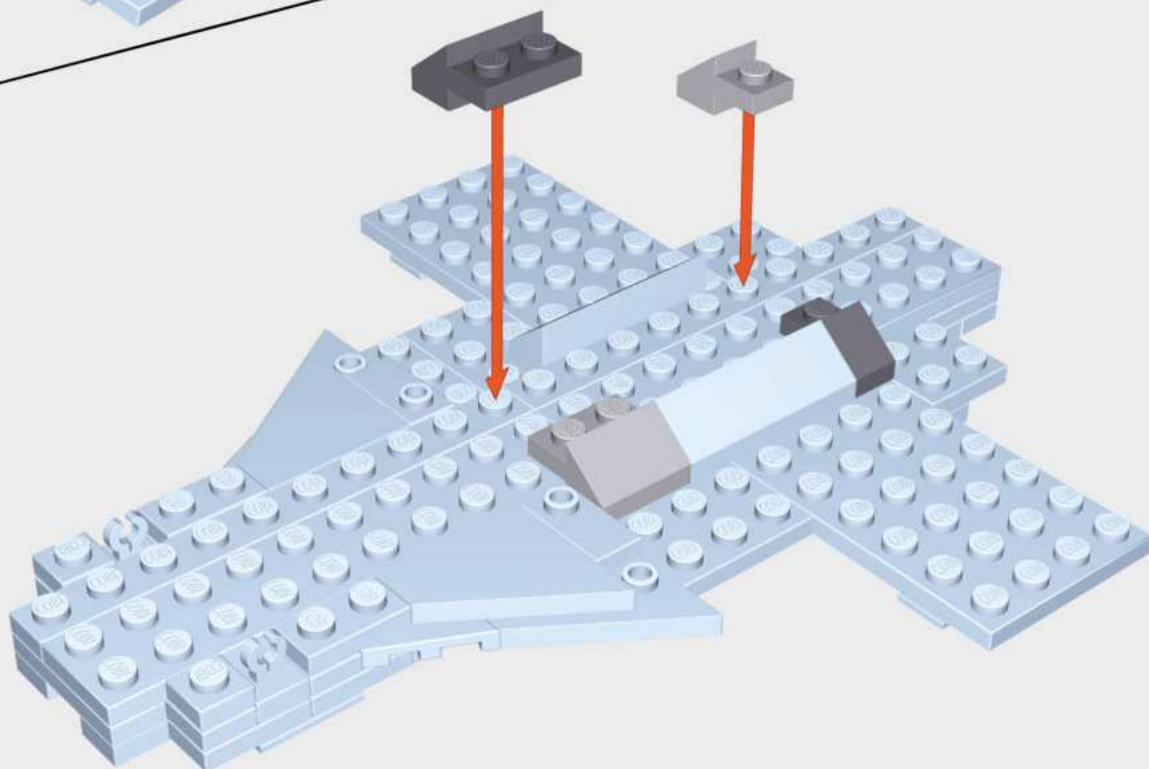
19



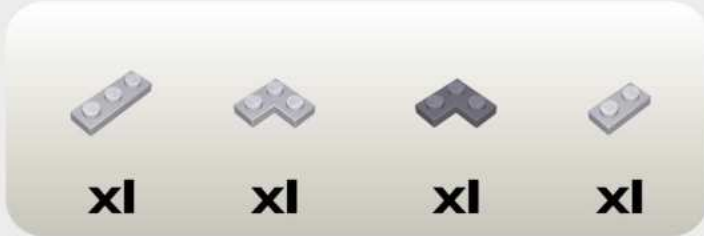
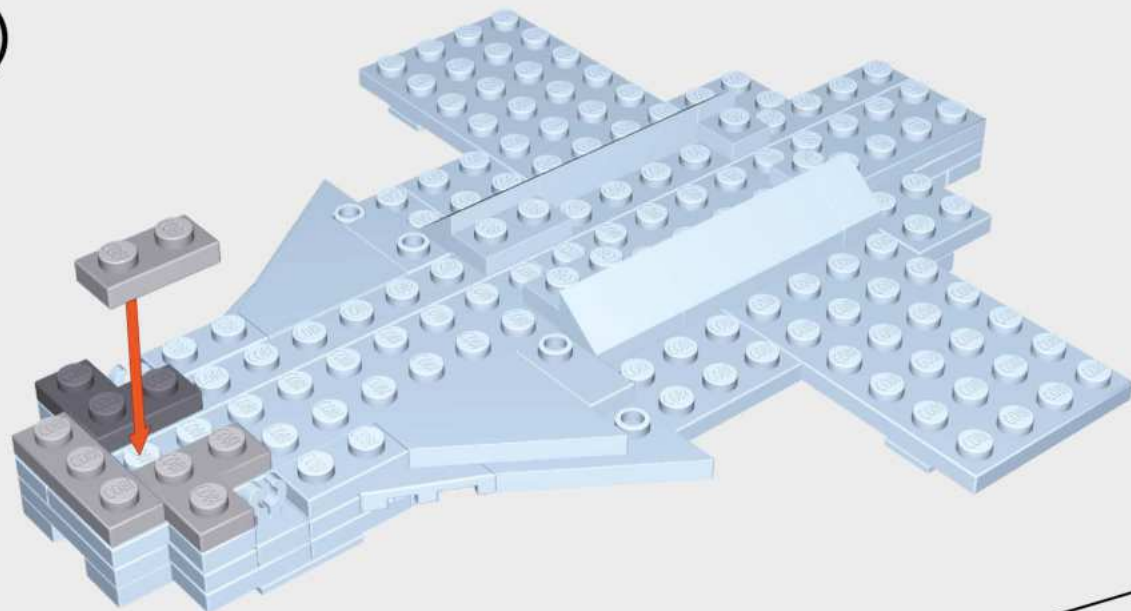
20



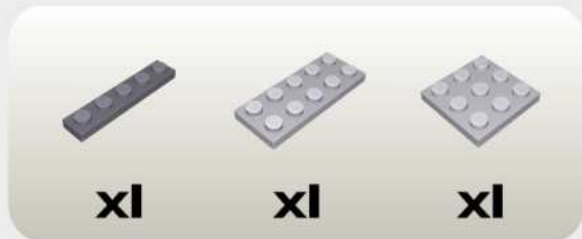
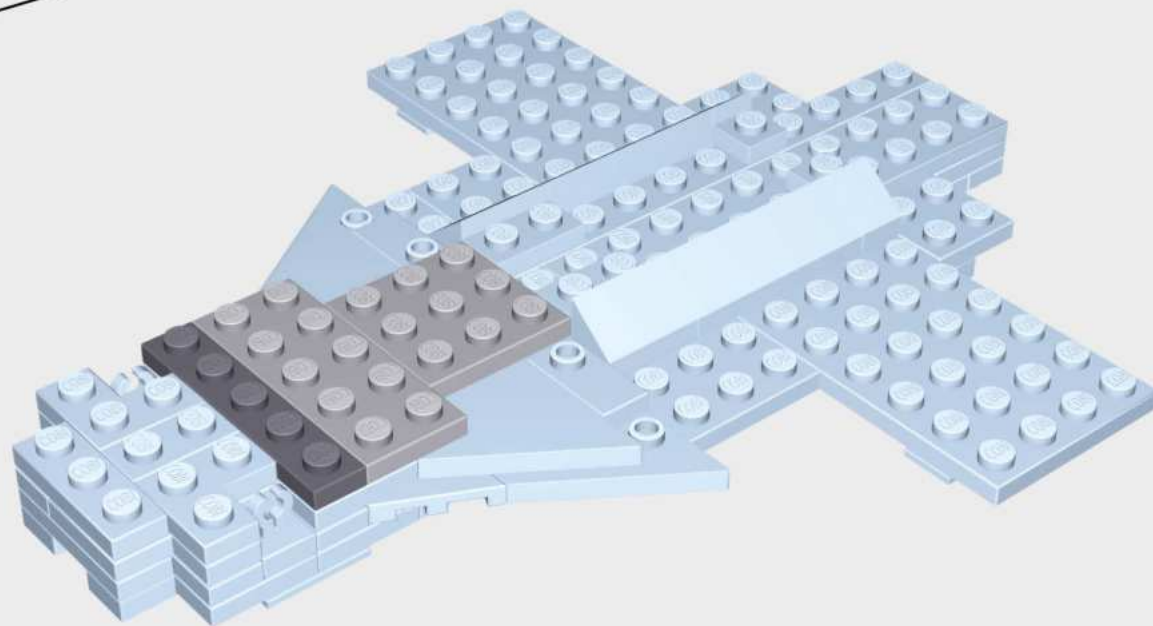
21



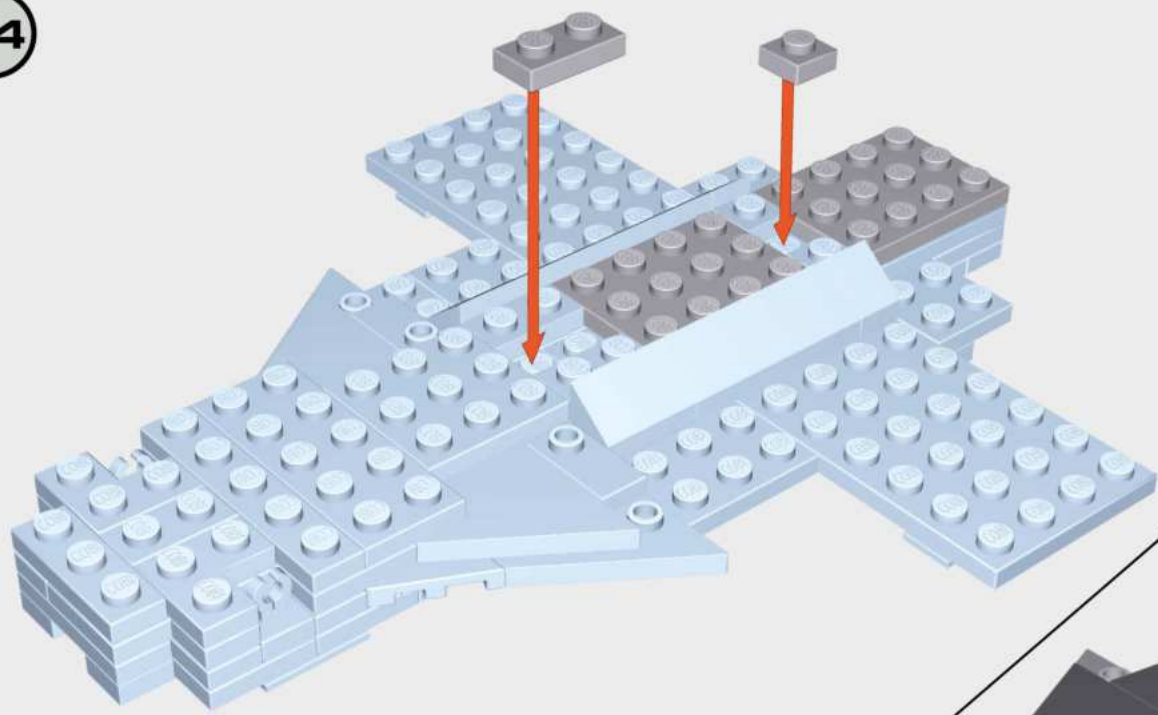
22



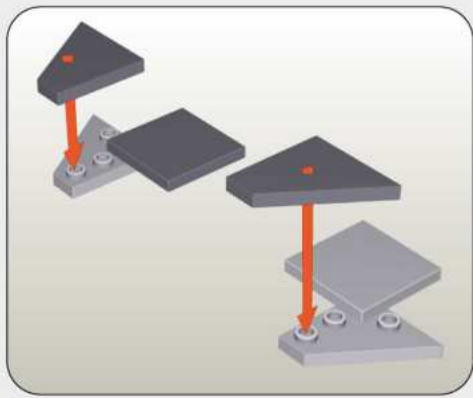
23









24

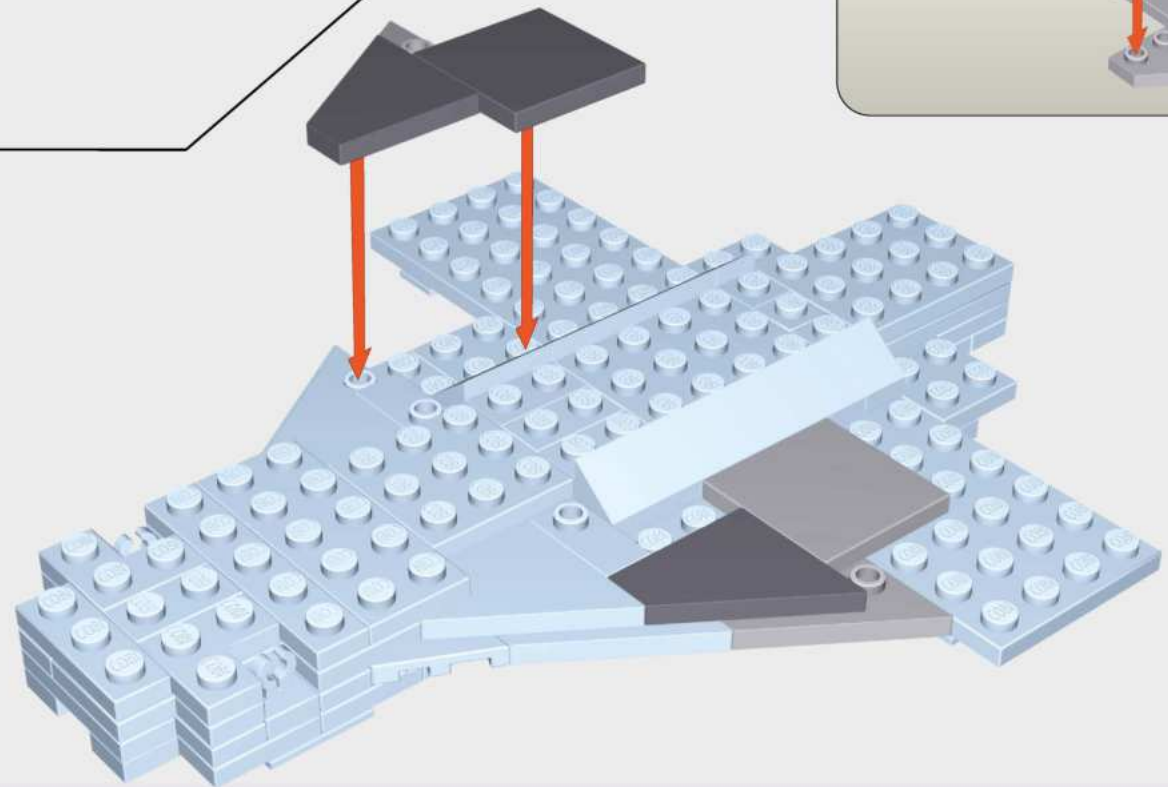


		
x2	x1	x1

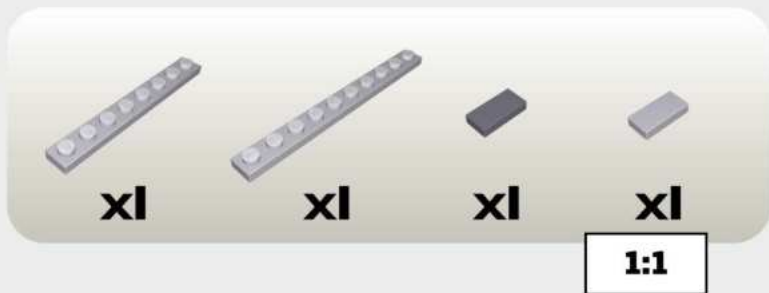
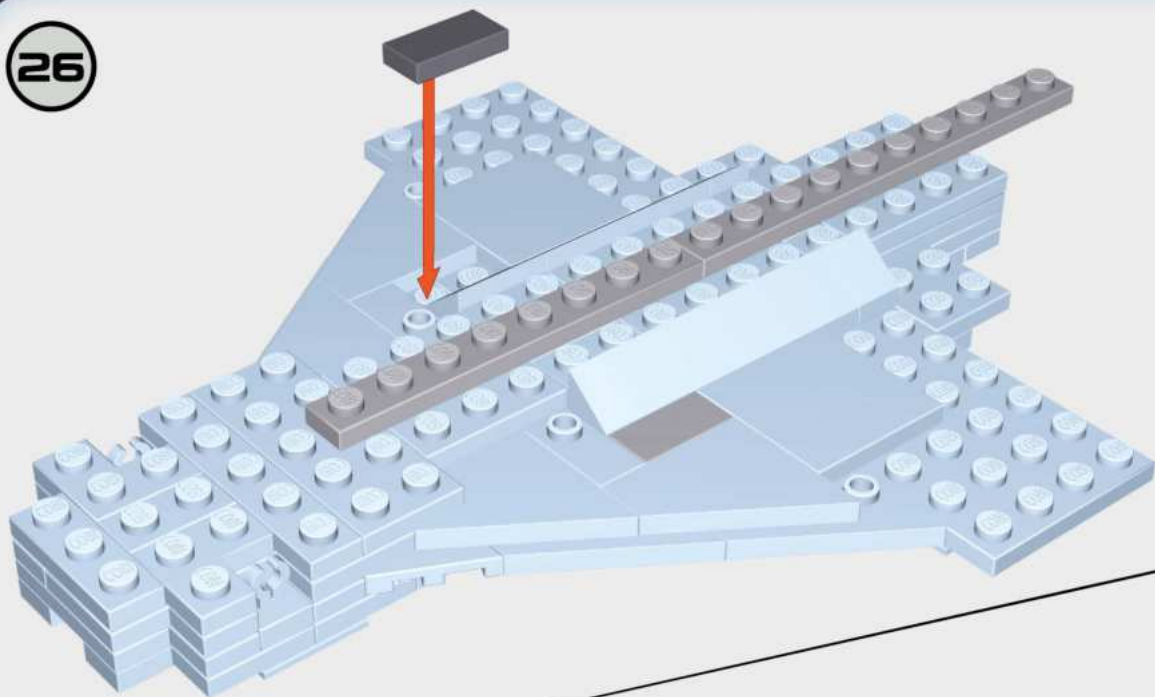


25

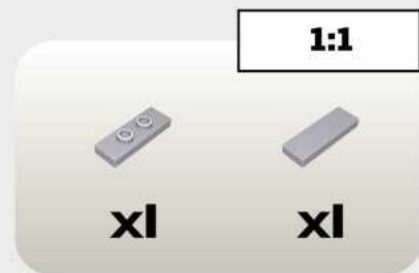
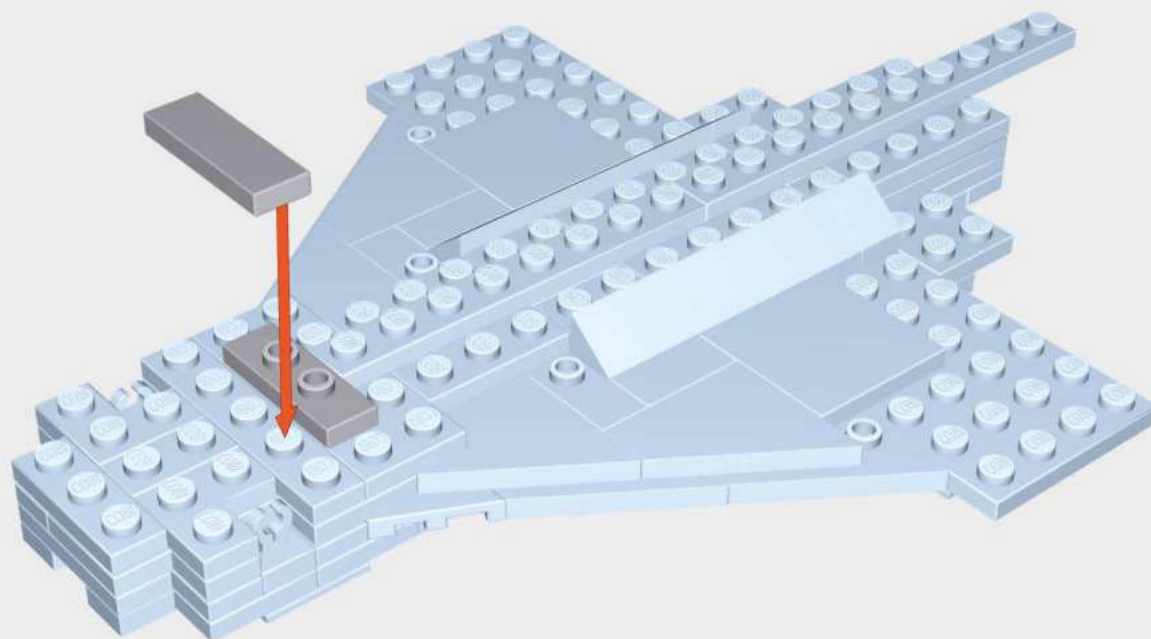
		
x1	x1	x1
		
x1	x1	x1



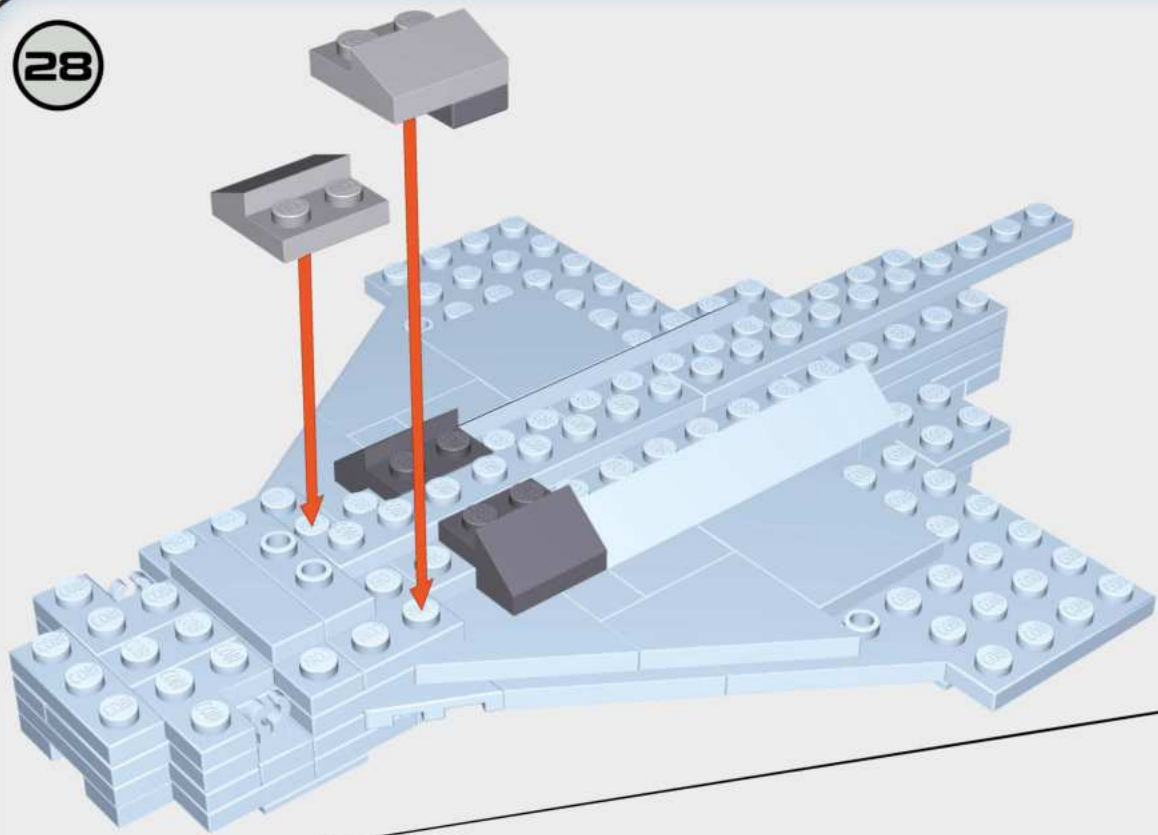
26



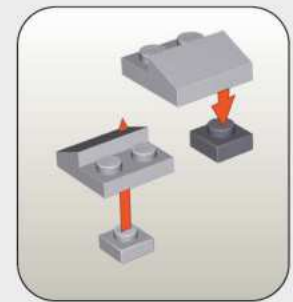
27



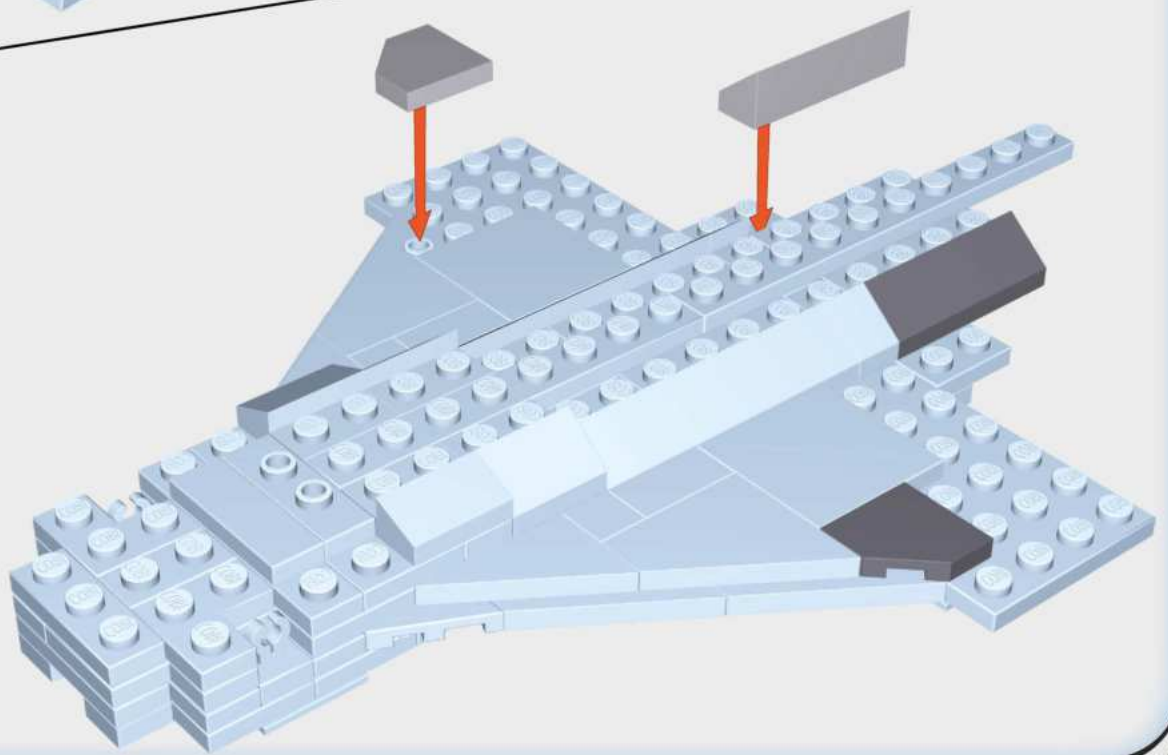
28







- 
x2
- 
x2
- 
x1
- 
x1

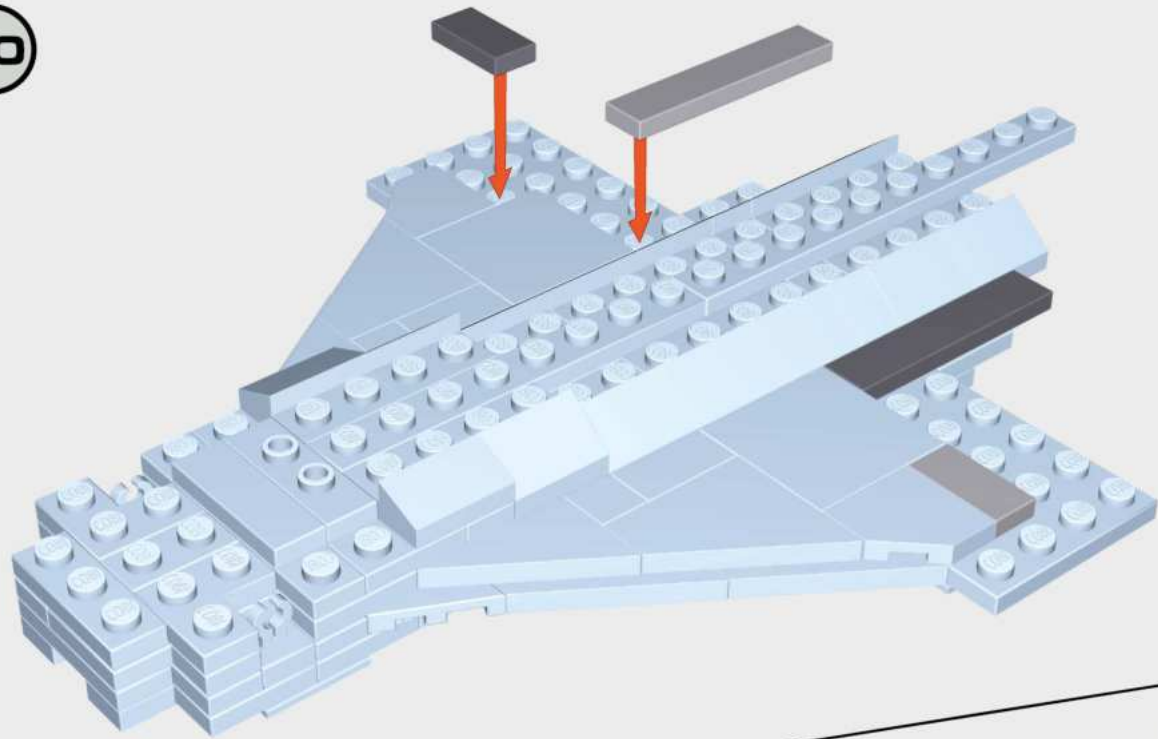


29



- 
x1
- 
x1
- 
x1
- 
x1

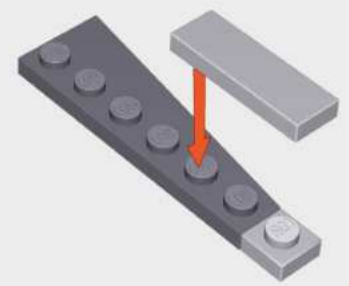
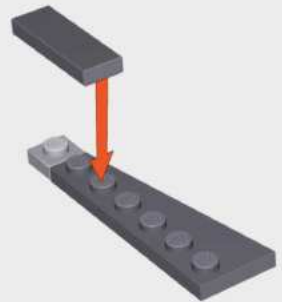
30



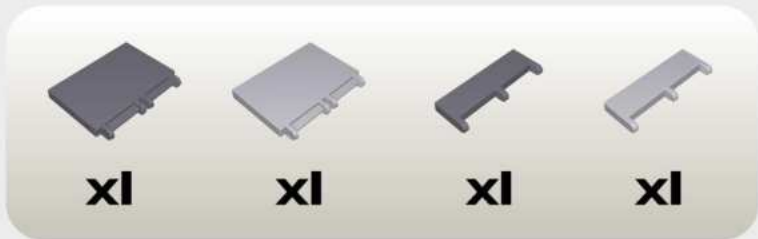
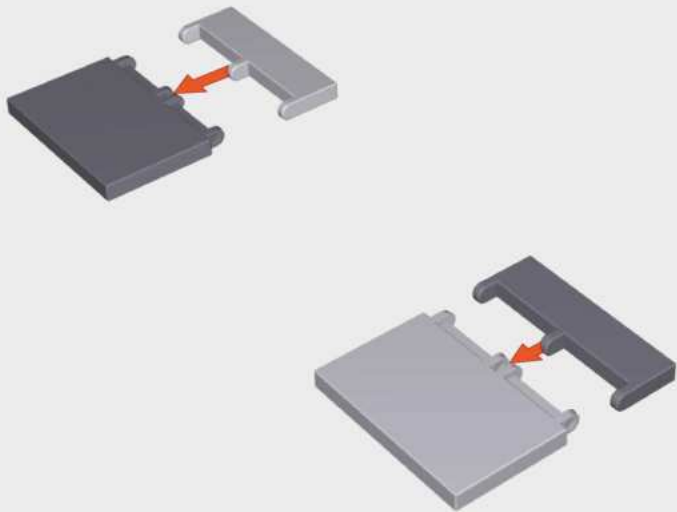
	1:1	1:1	
x1	x1	x1	x1

31

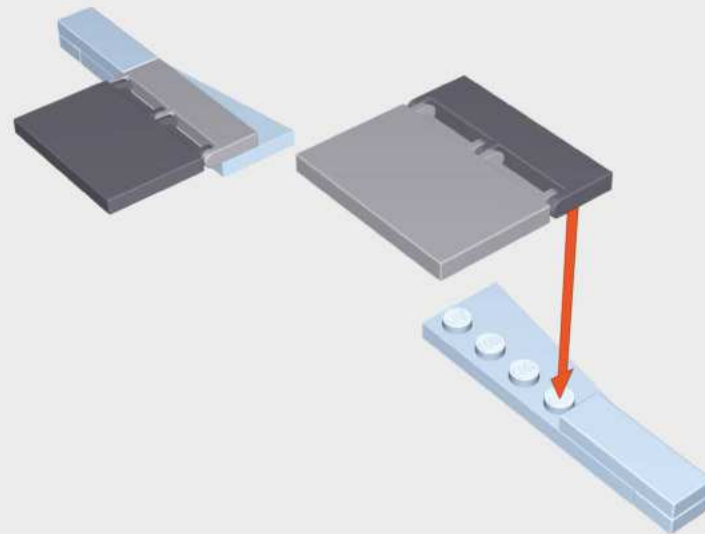
x2	x1	
x1	x1	x1
	1:1	



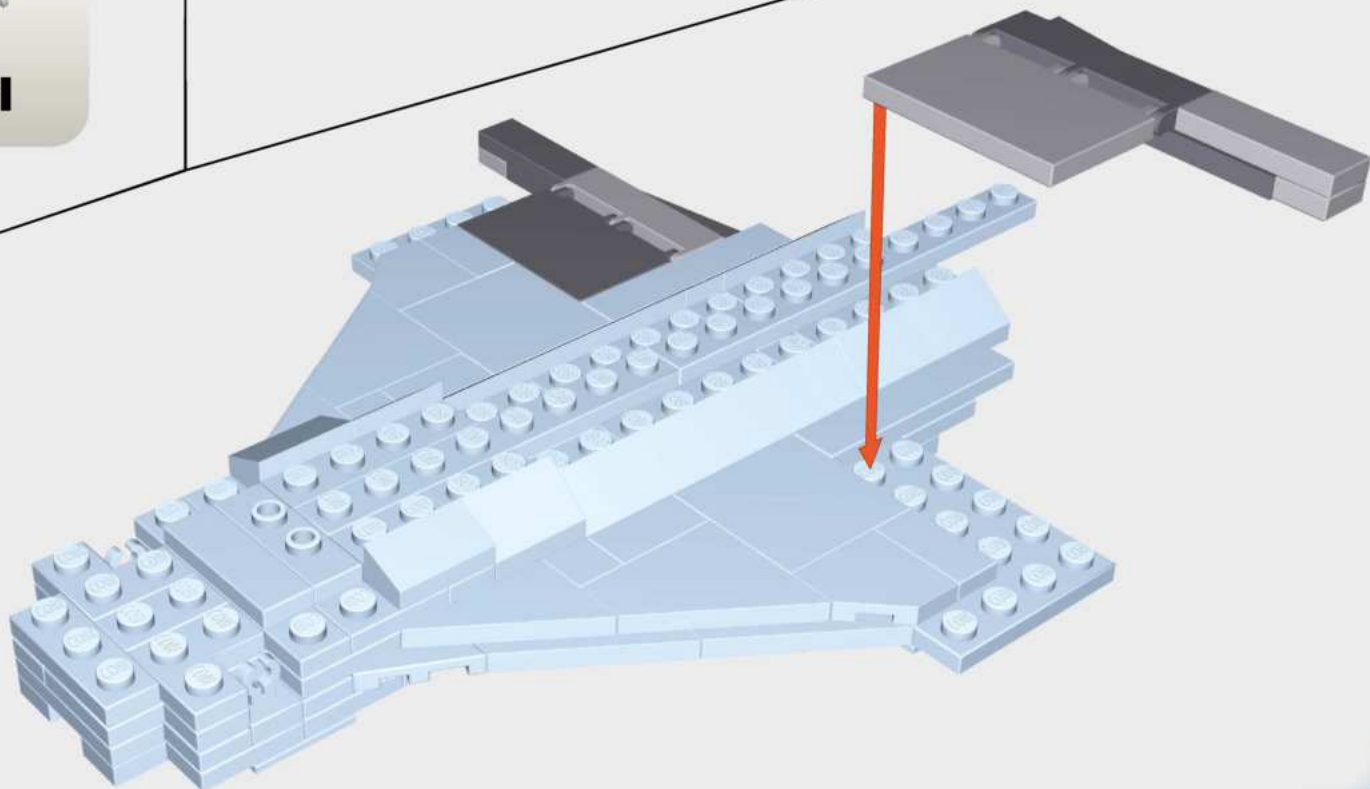
32



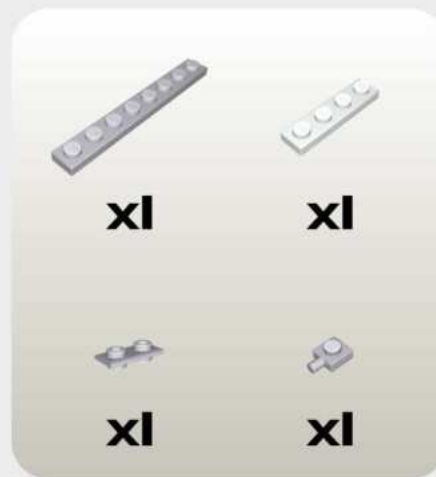
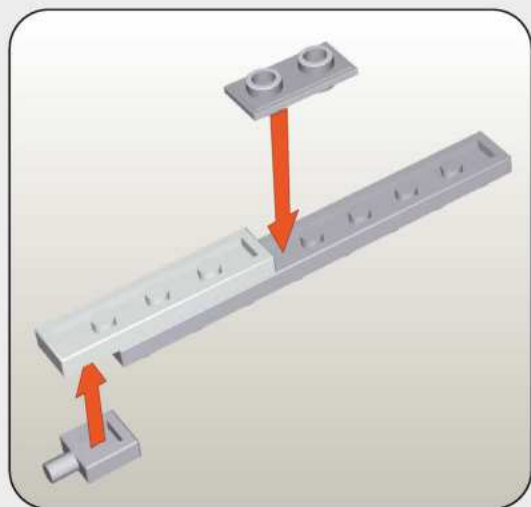
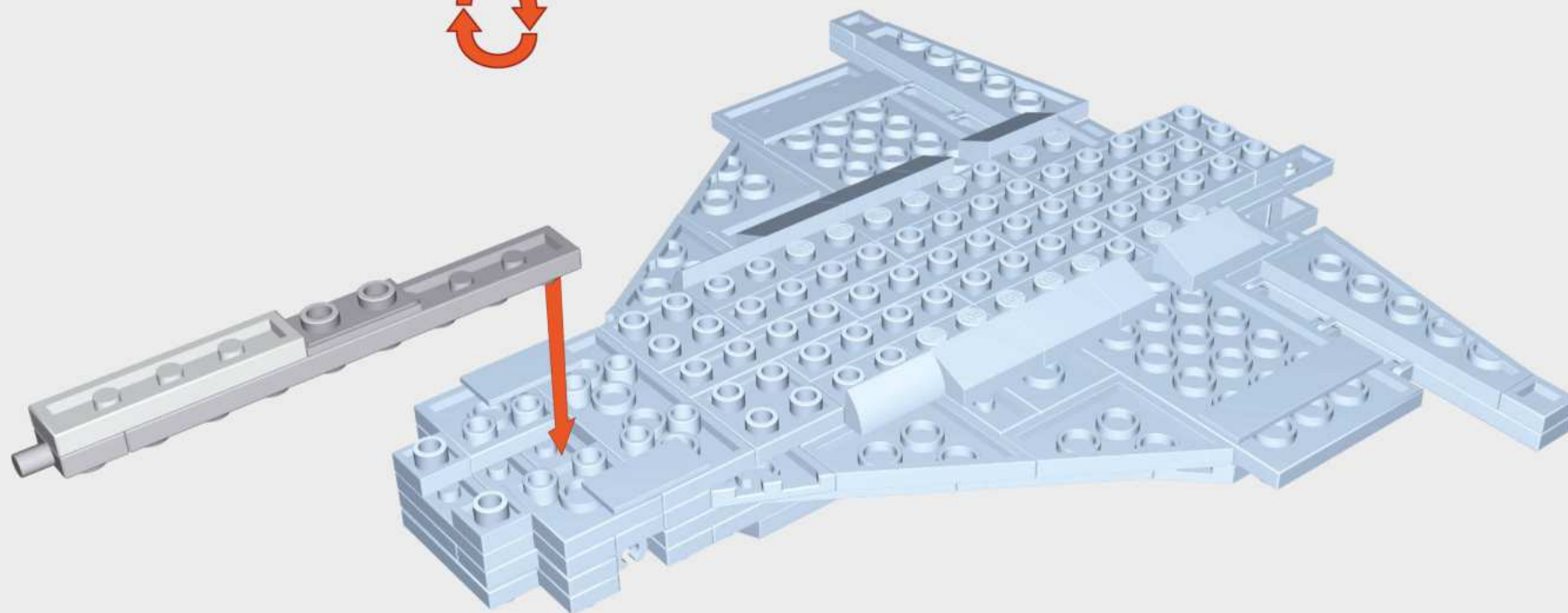
33



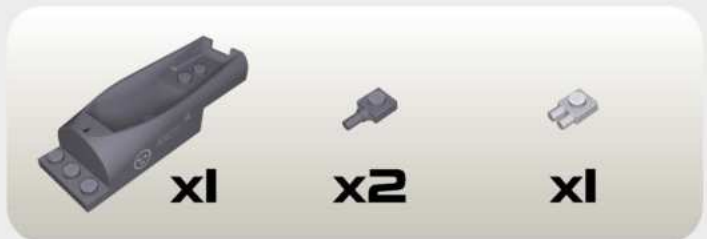
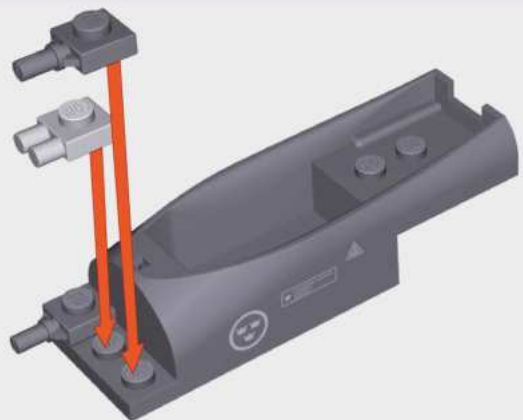
34



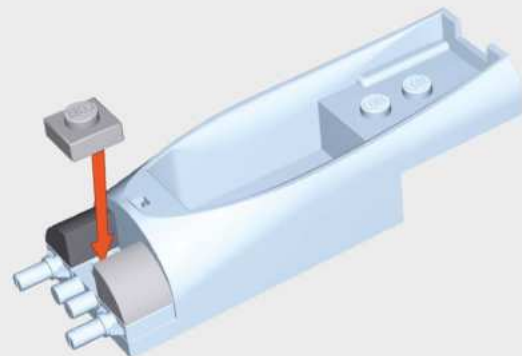
35



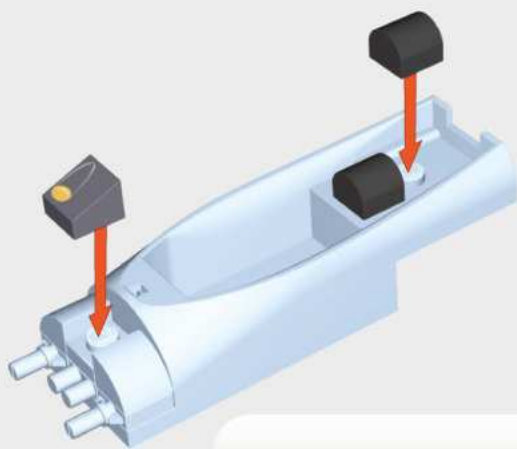
36



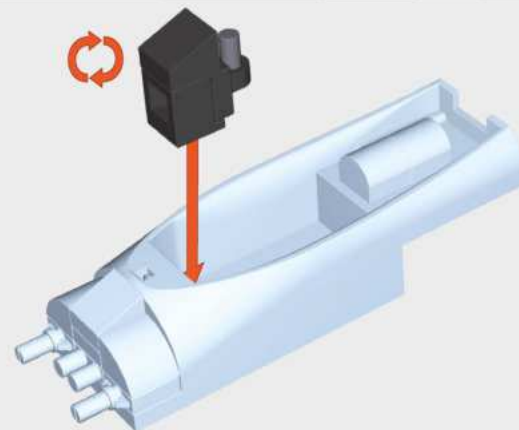
37



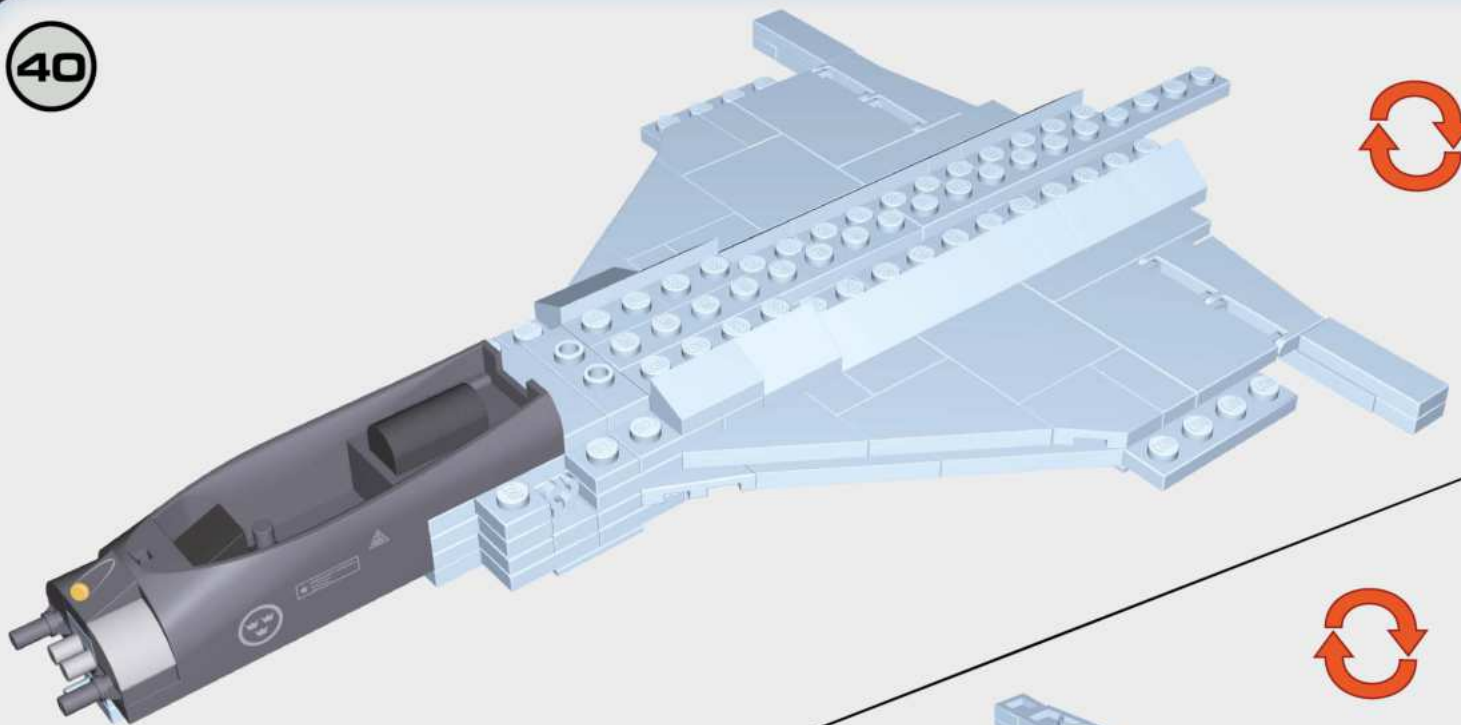
38



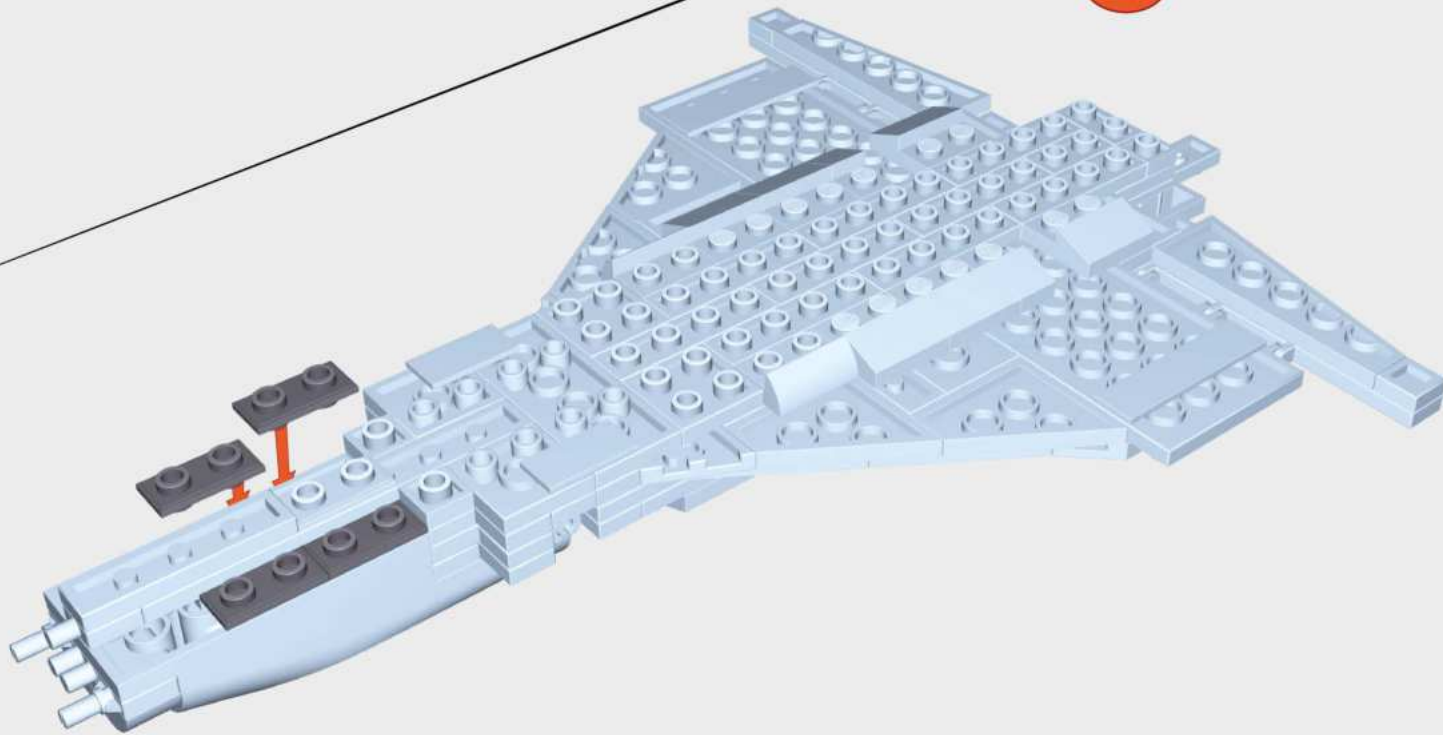
39



40

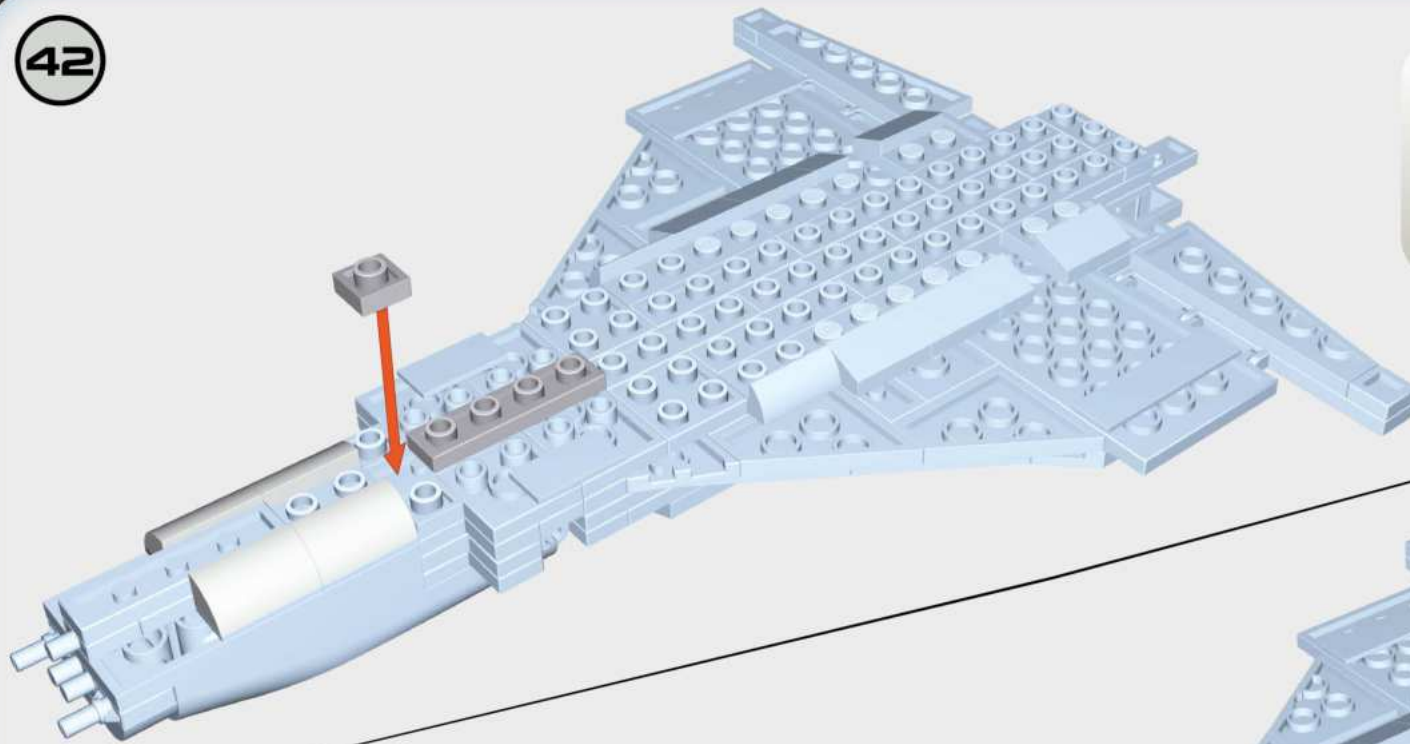


41



x4

42



x4

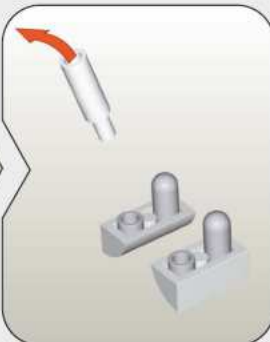


x1



x1

43



x2

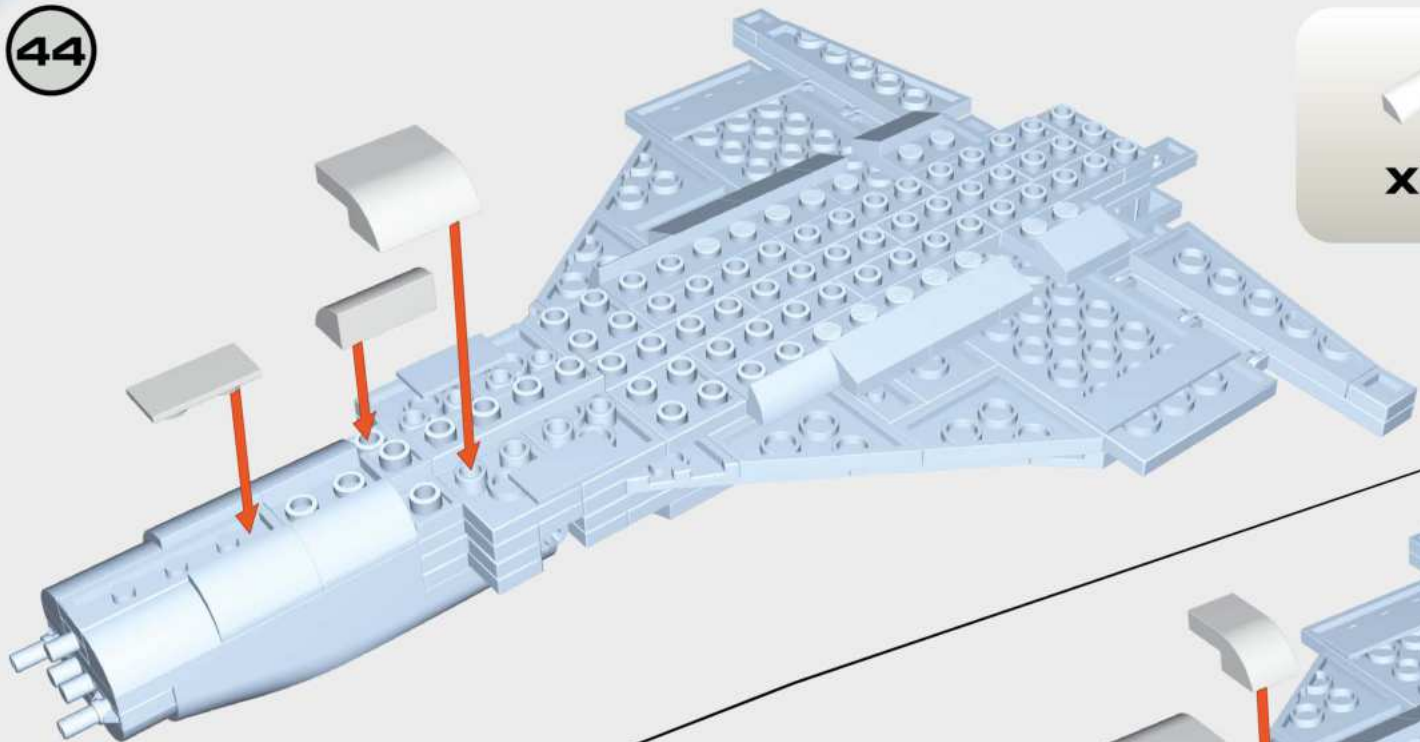


x2



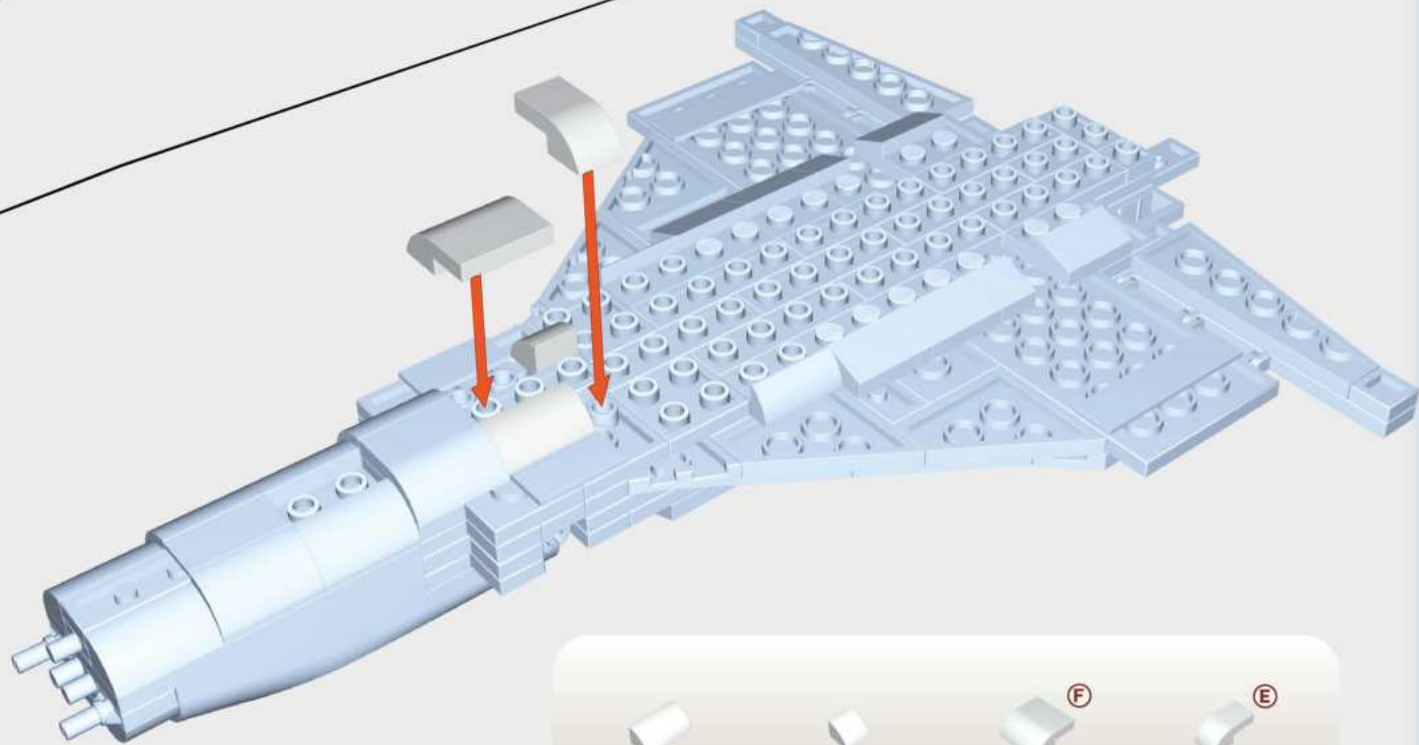
x2

44



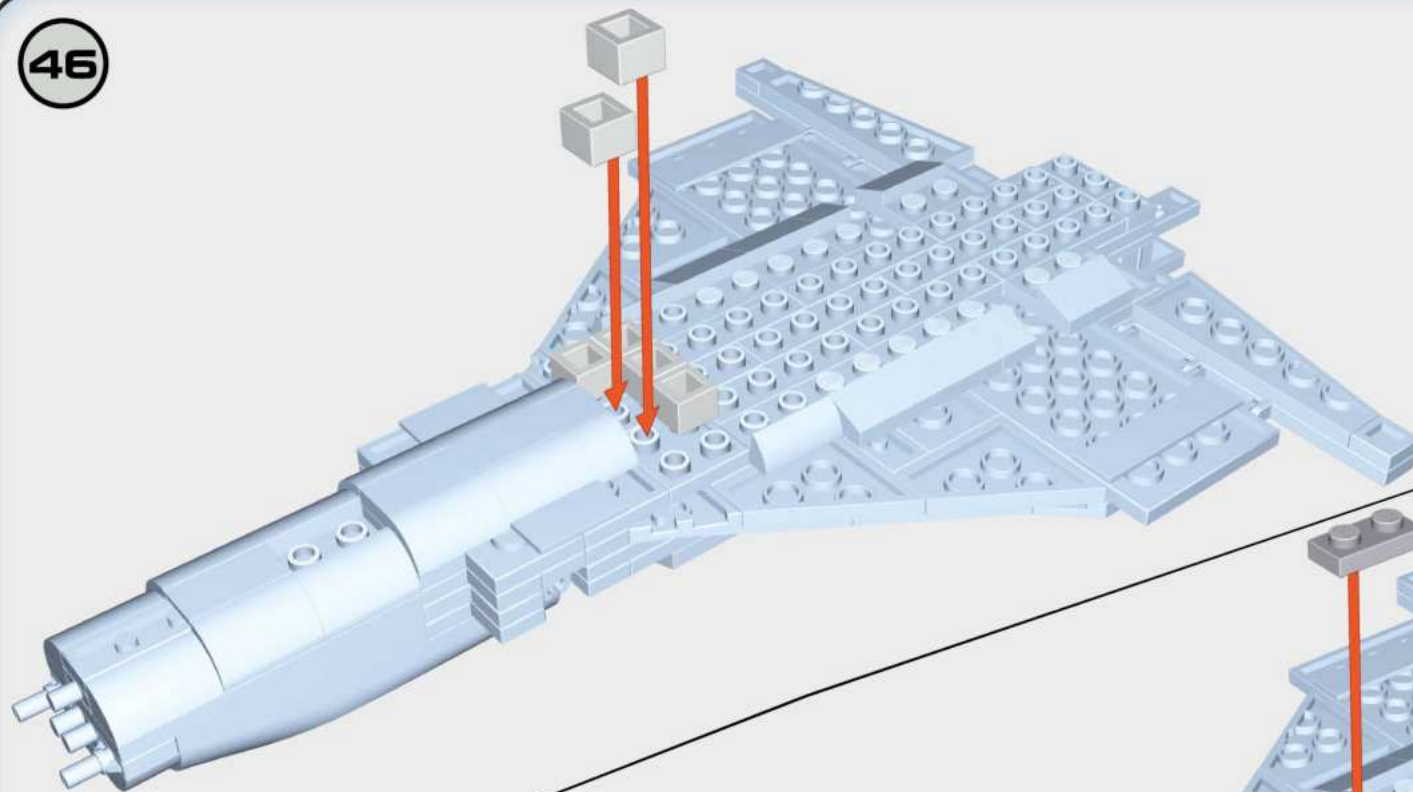
xi xi xi^F

45

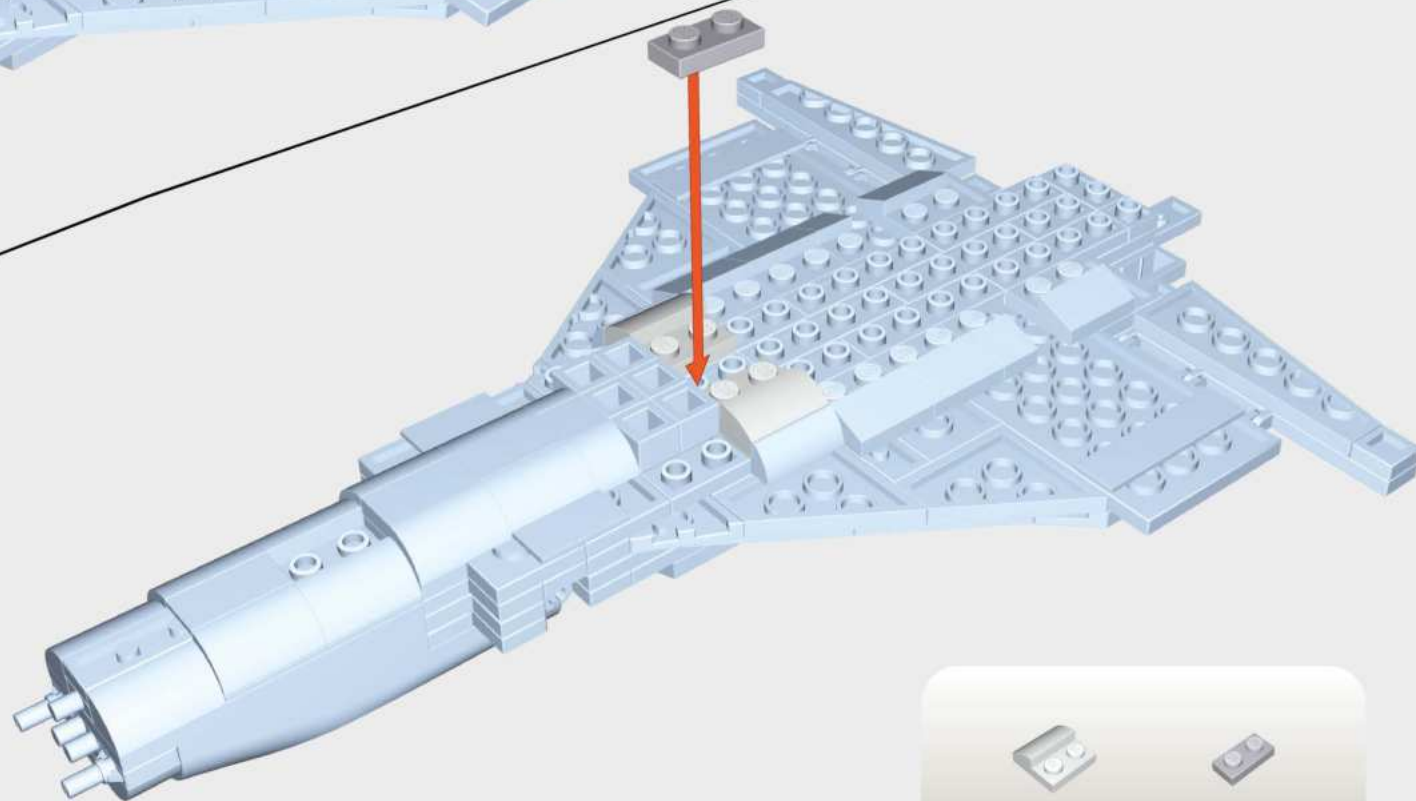


xi xi xi^F xi^E

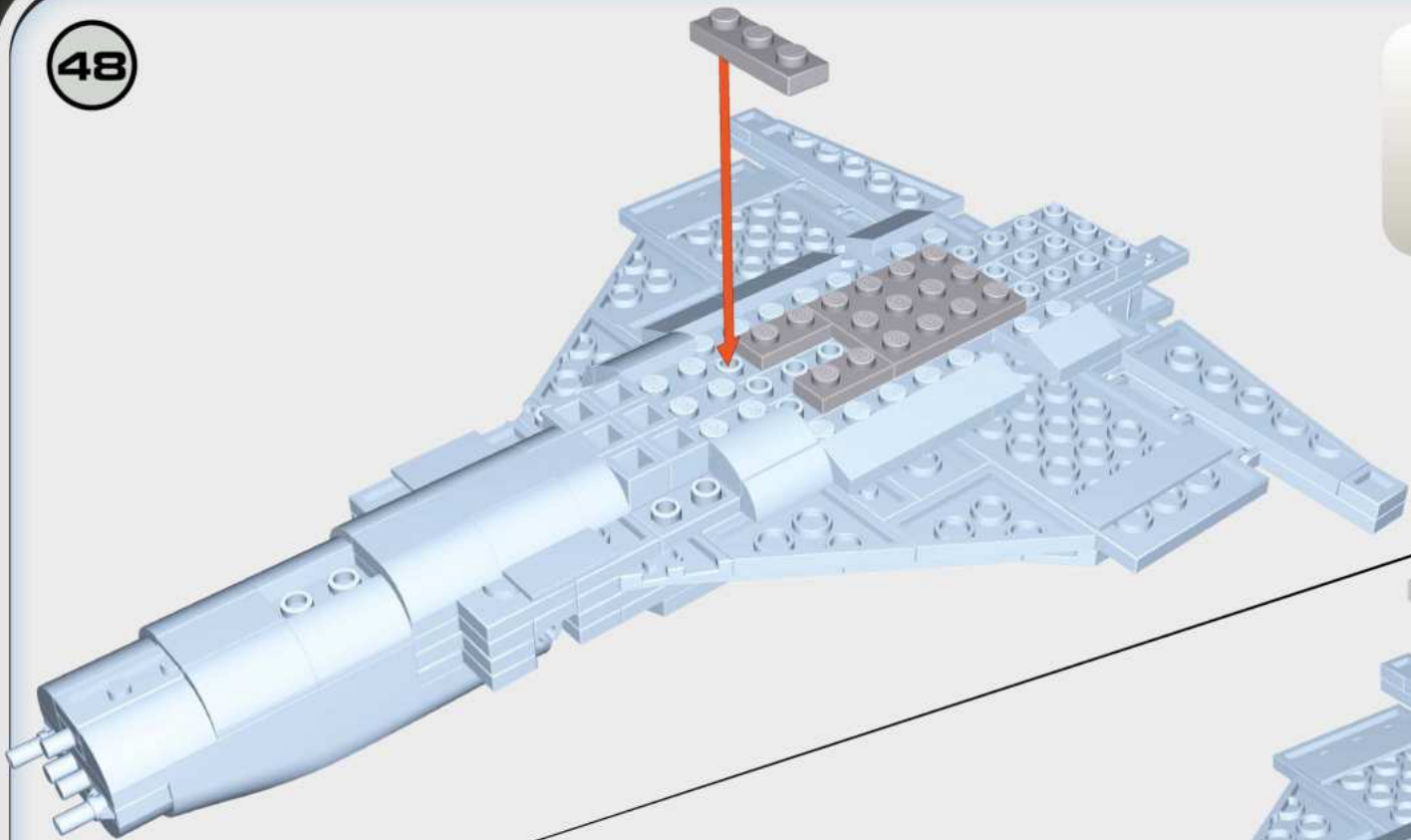
46



47



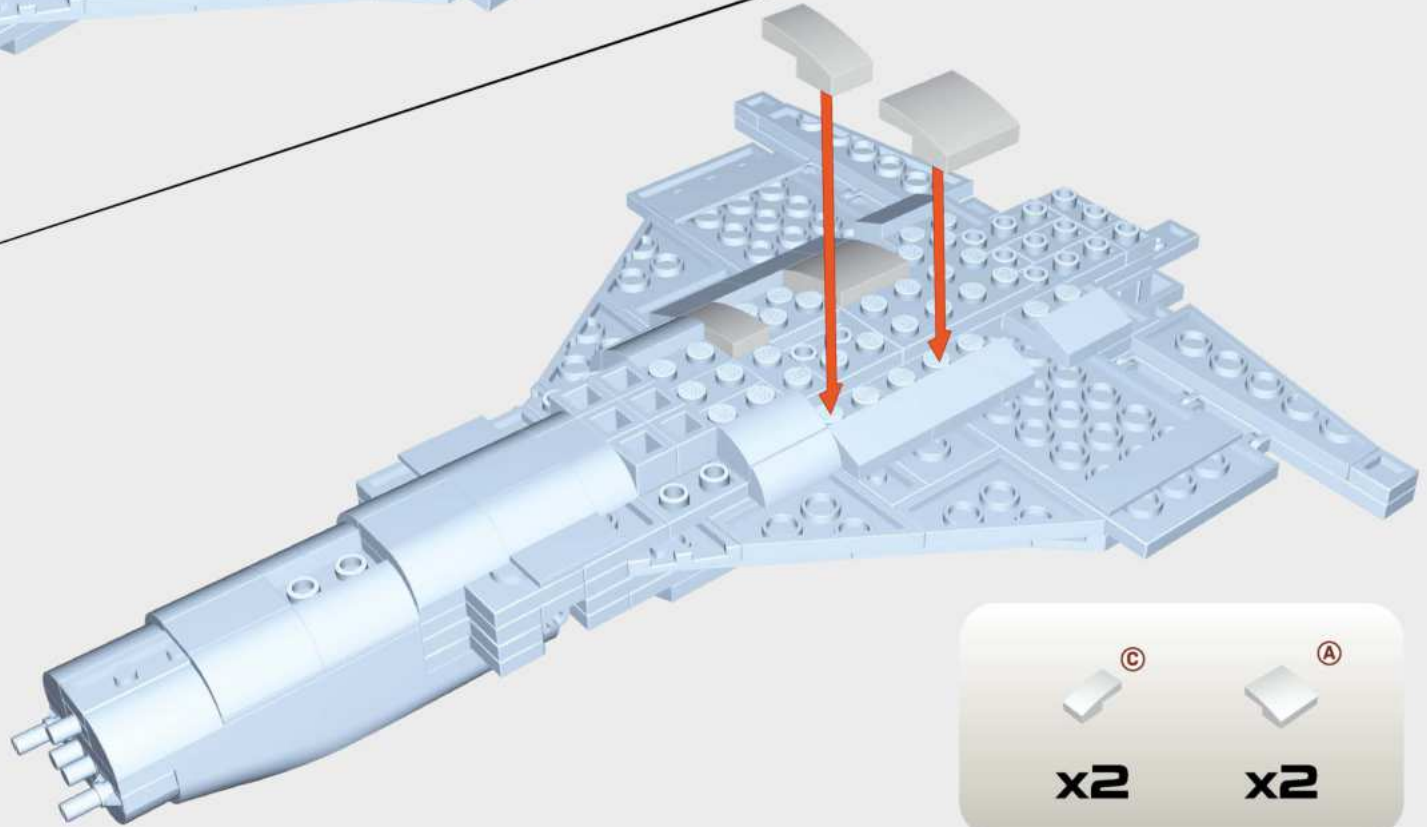
48




Parts list for step 48:

-  x2
-  x1
-  x1

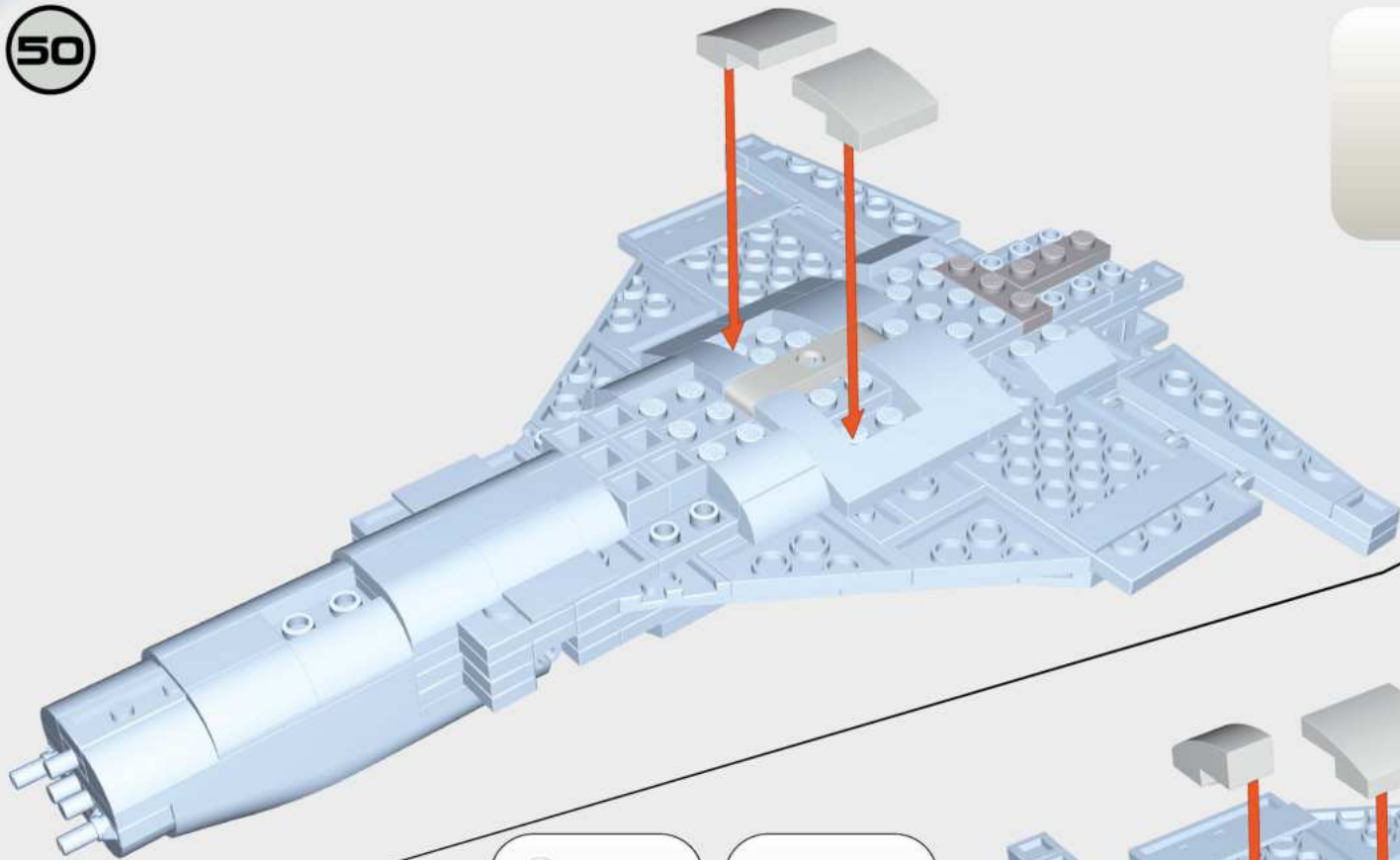
49



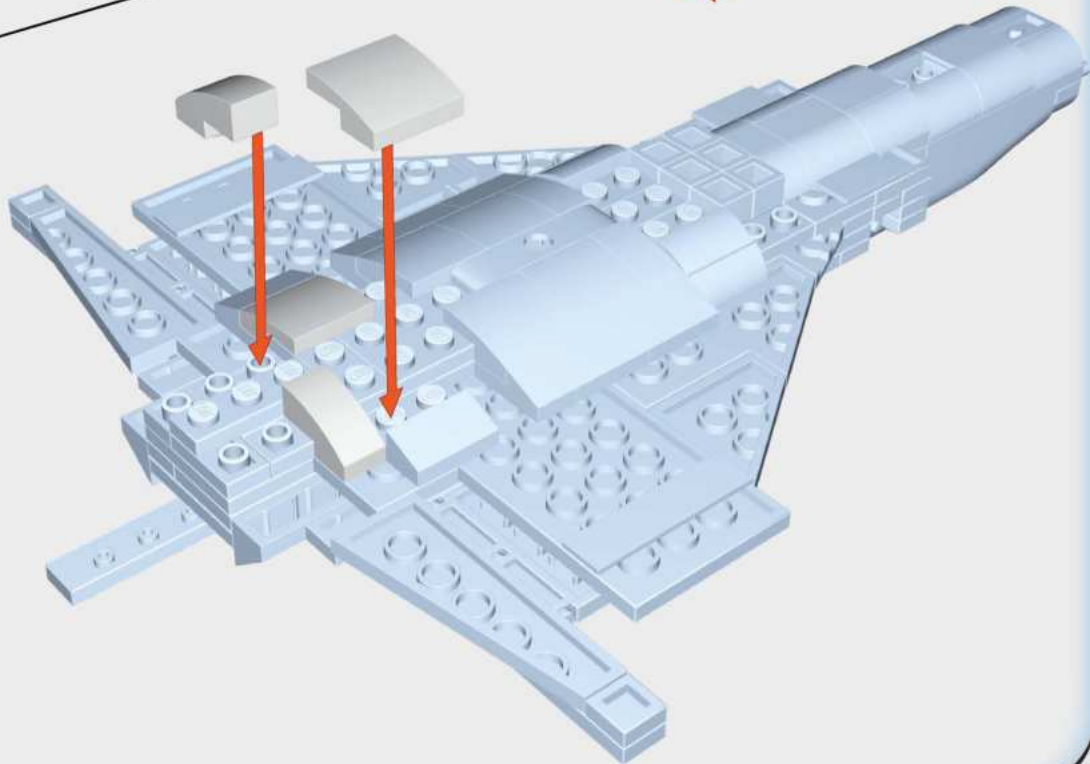
Parts list for step 49:

-  x2
-  x2

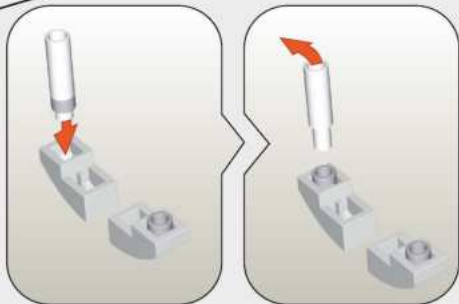
50



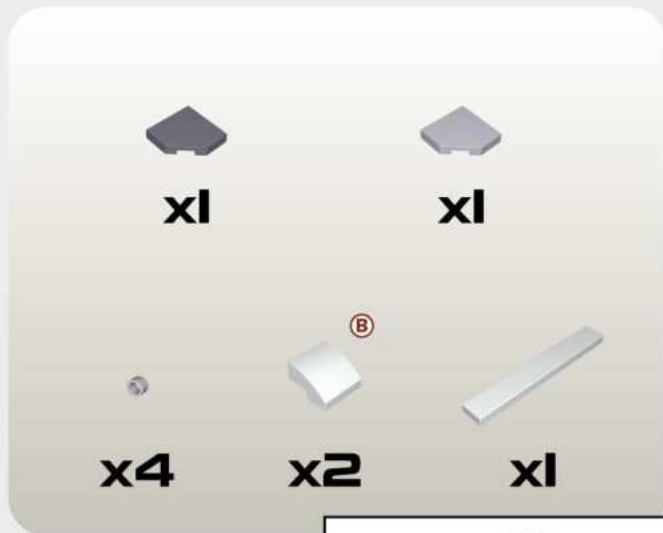
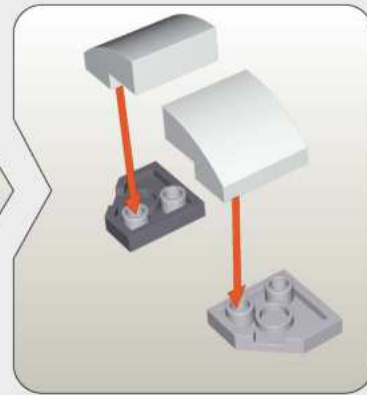
		
x1	x2	x2



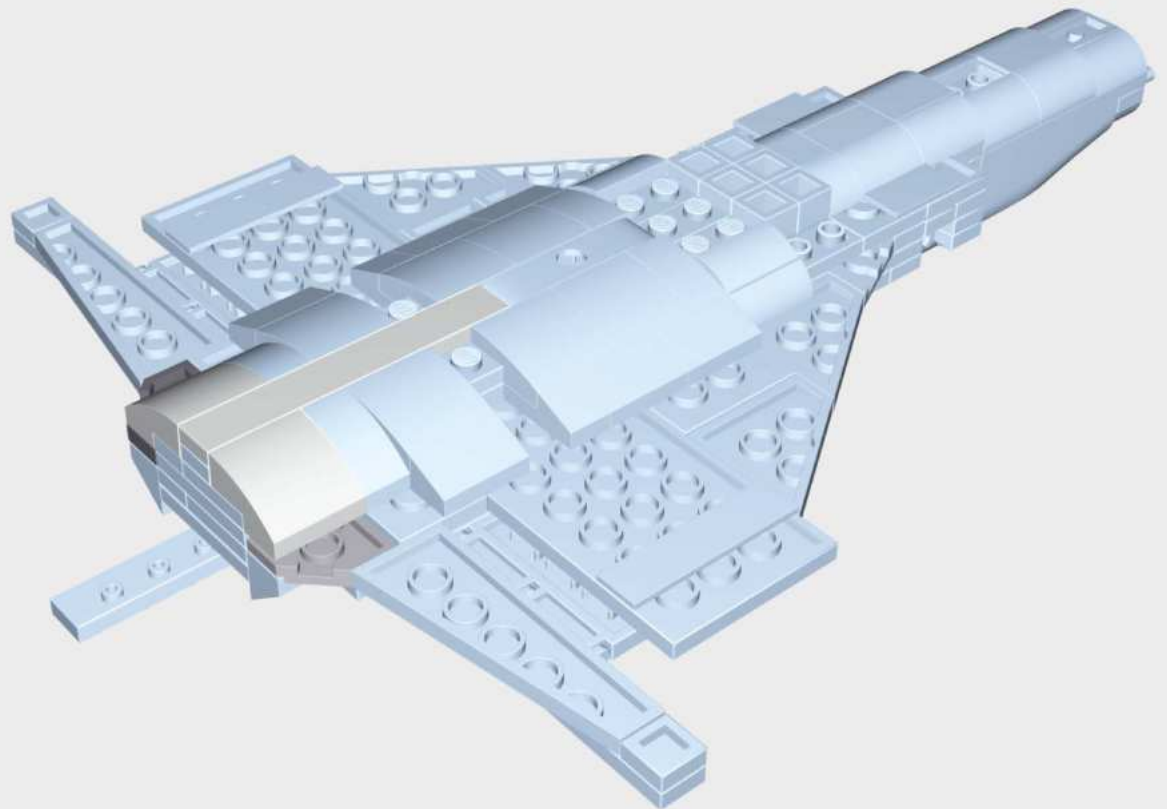
51



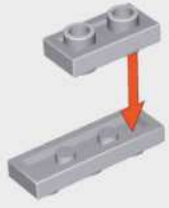
		
x2	x2	x2



1:1



53

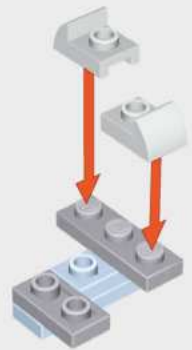


x1



x1

54



x1

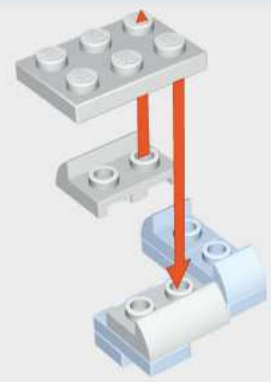


x1



x2

55

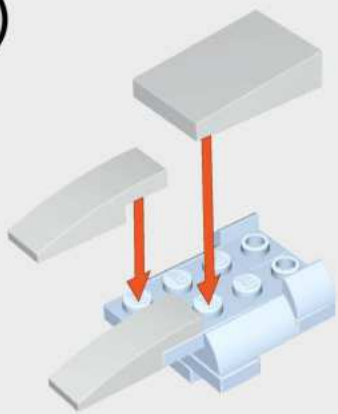


x2



x1

56

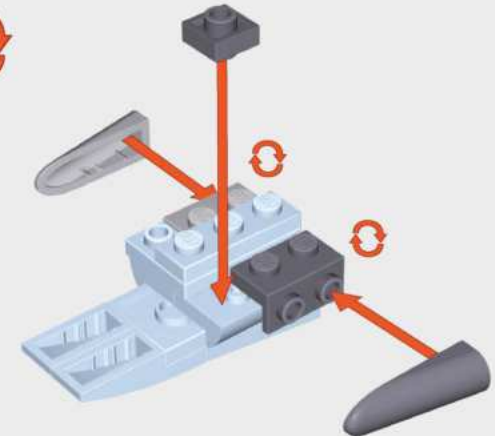
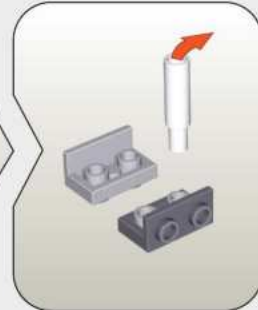
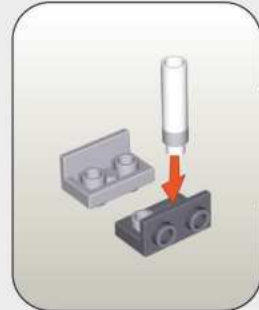


x2



x1

57



x1



x1



x4



x1

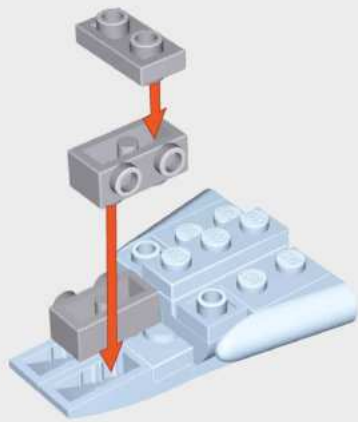


x1



x1

58

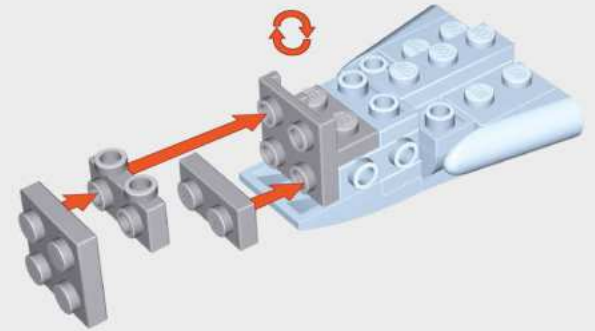
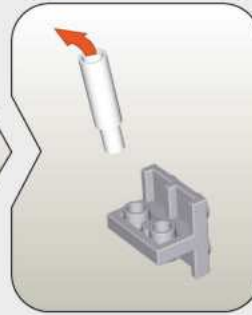
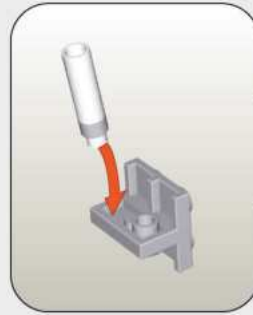


x2



x1

59



x1



x2



x1

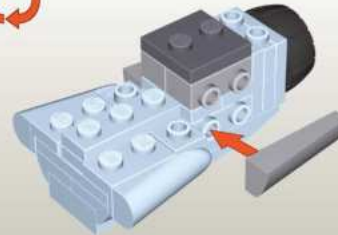
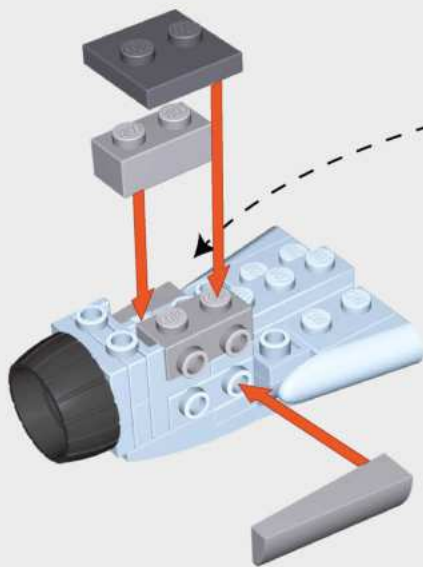


x1



x1

60



x1



x2



x1

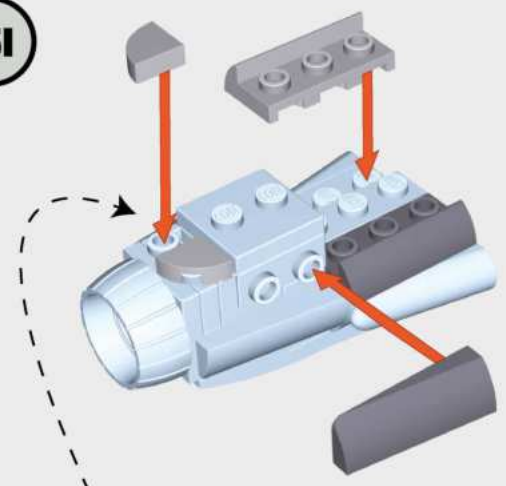


x1

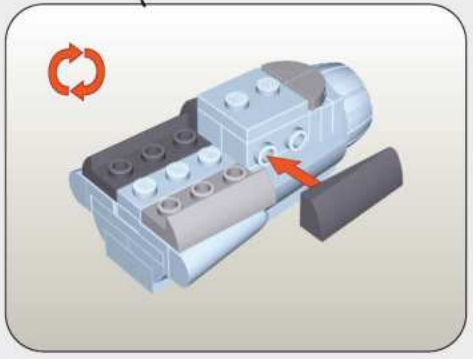


x1

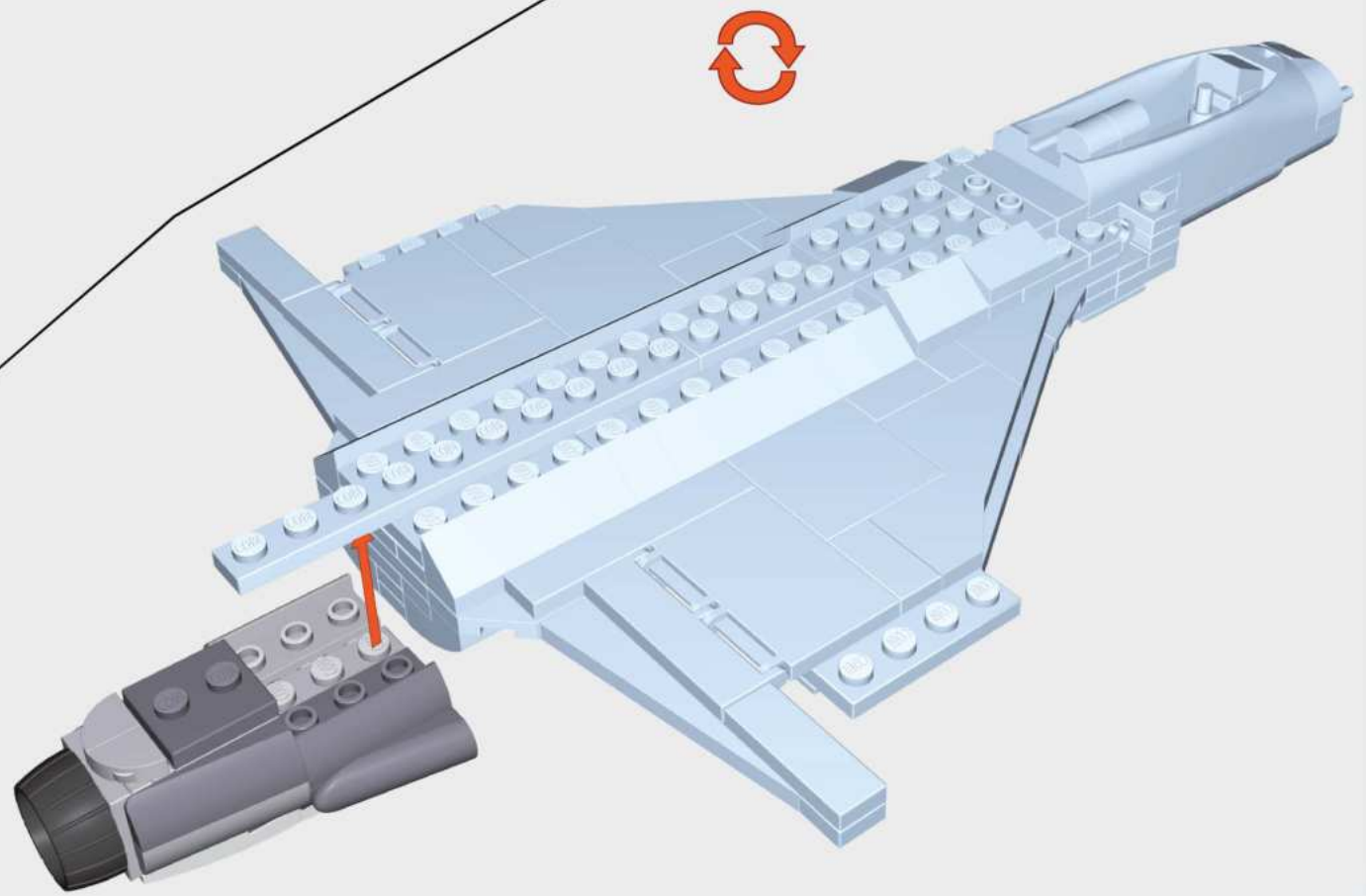
61



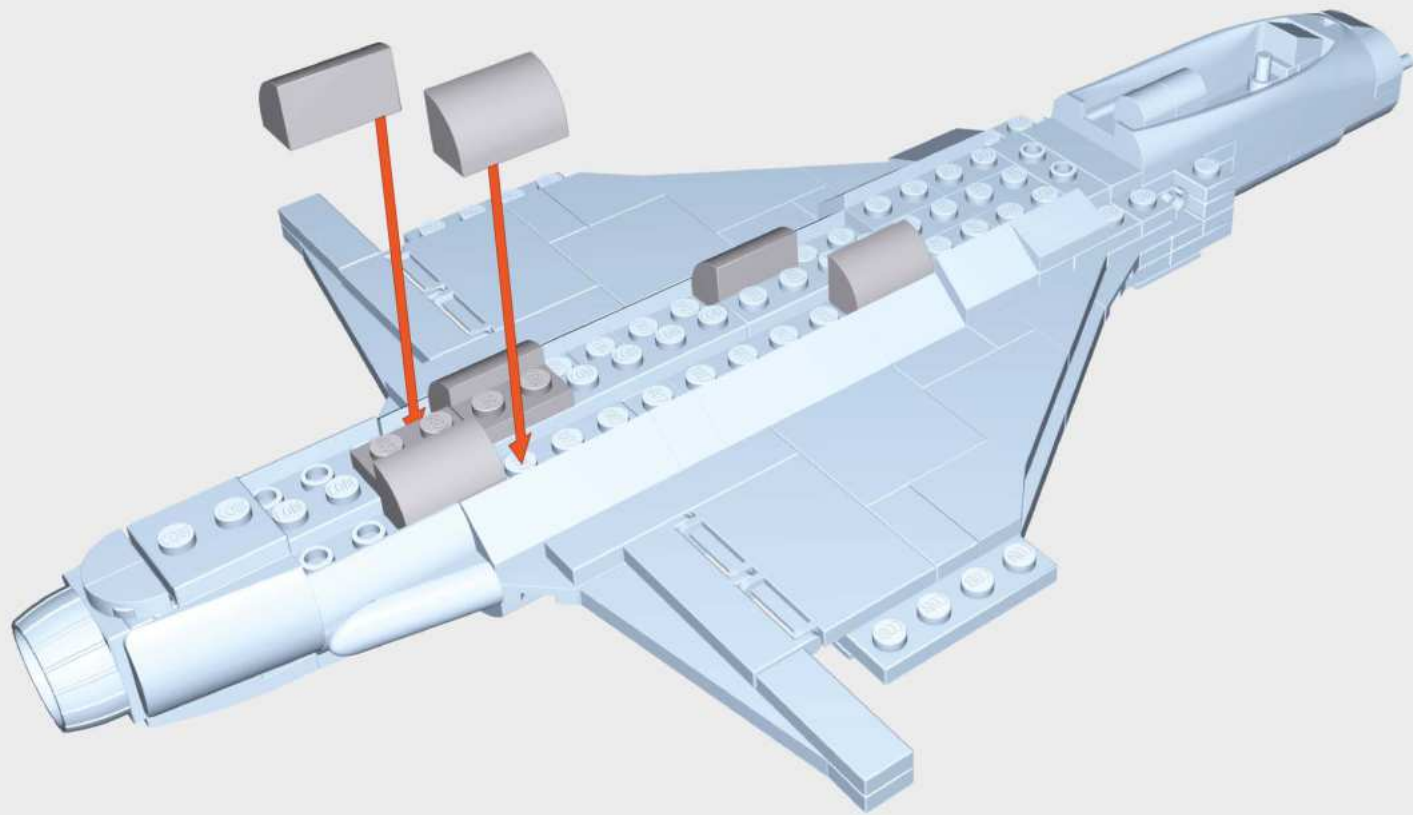
- 
x1
- 
x2
- 
x1
- 
x1
- 
x1



62



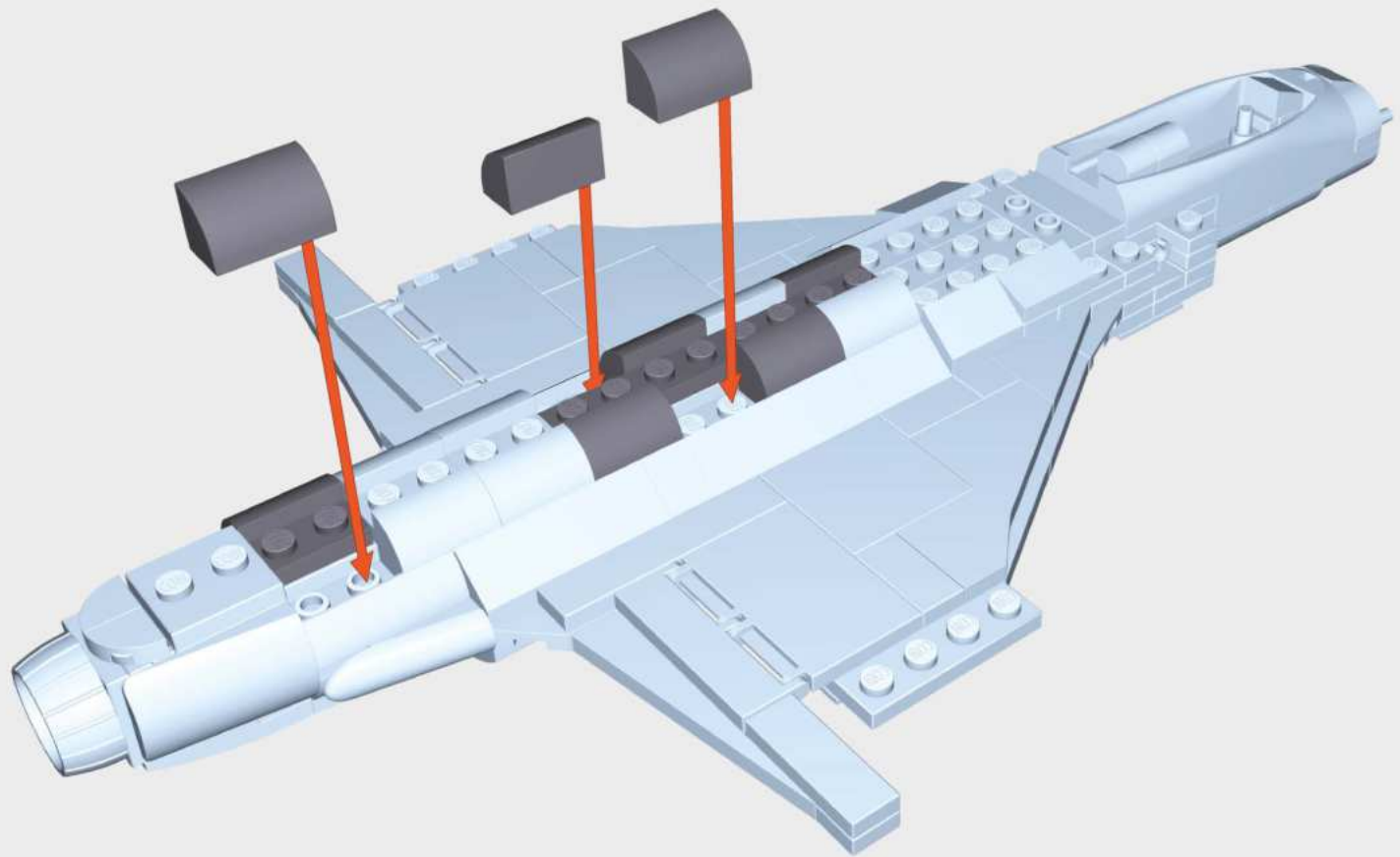
63



x2



x4

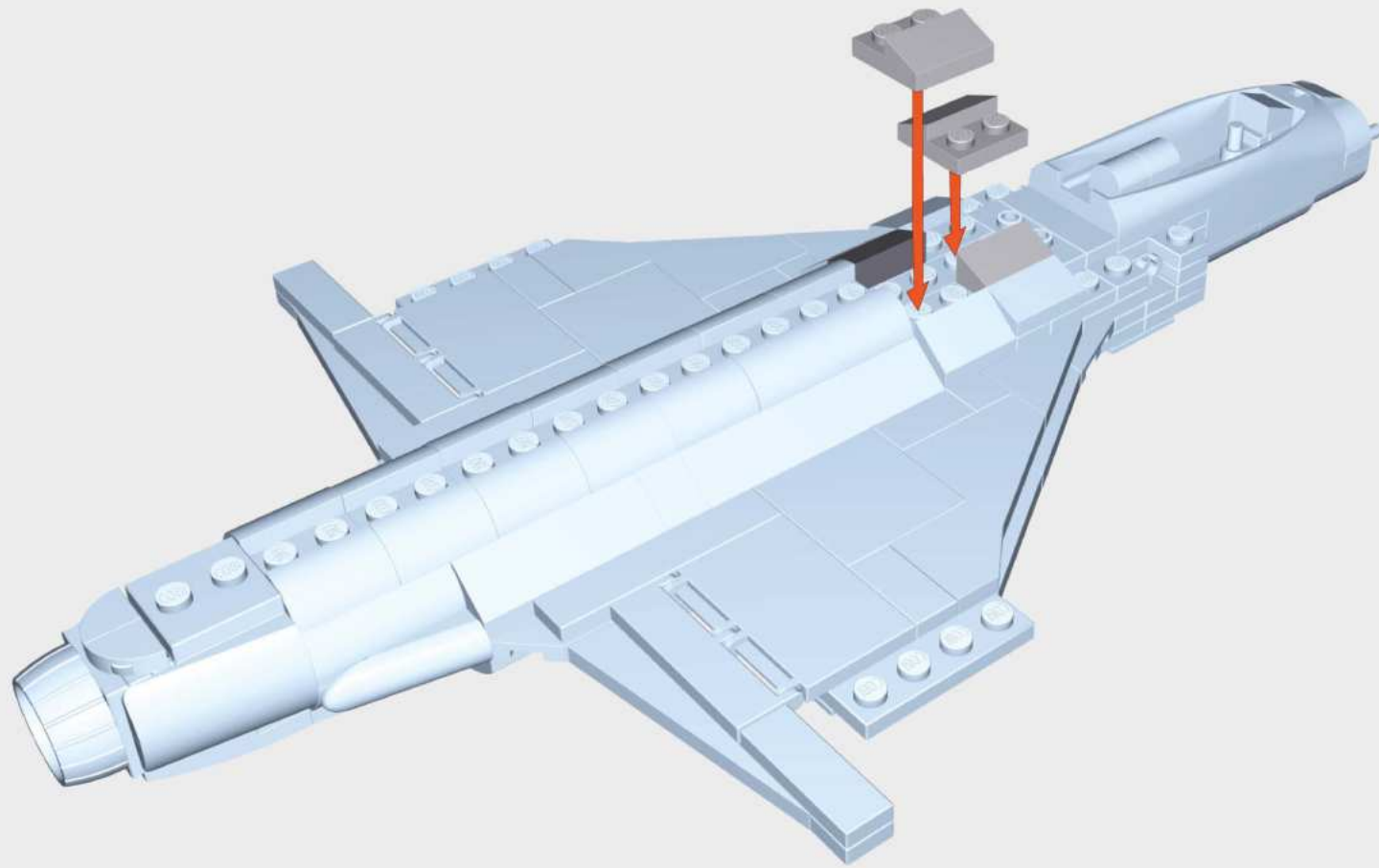


x5



x3

65



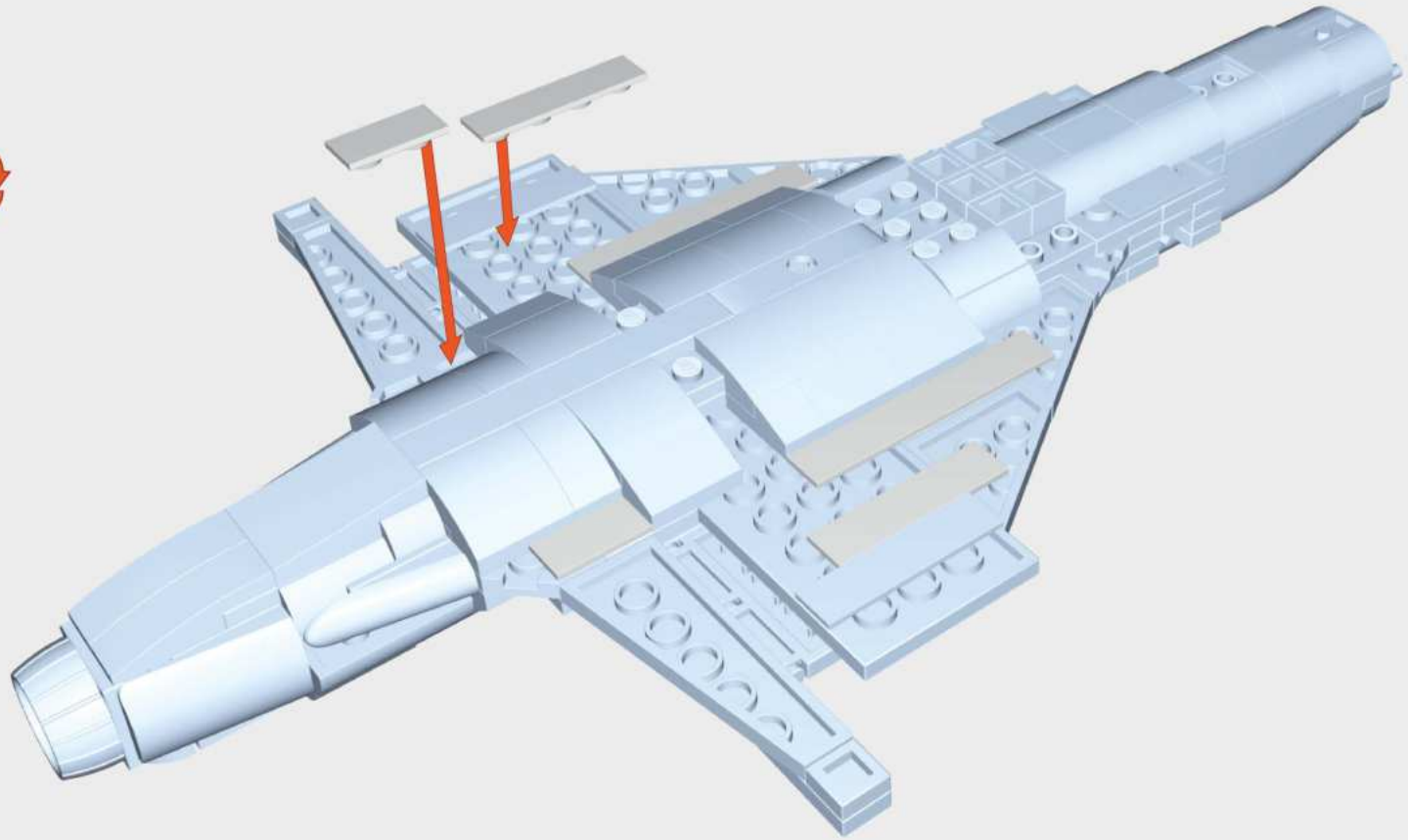
x1



x1

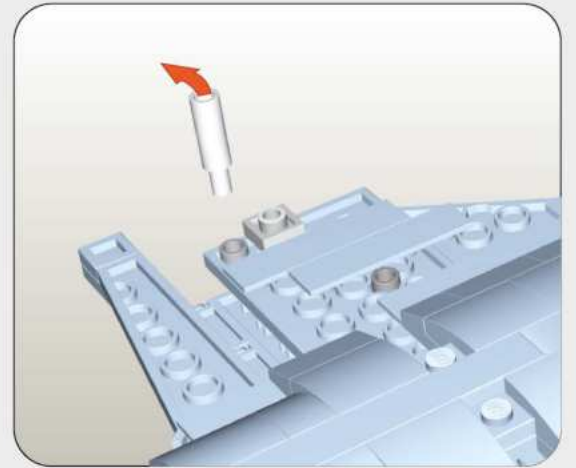
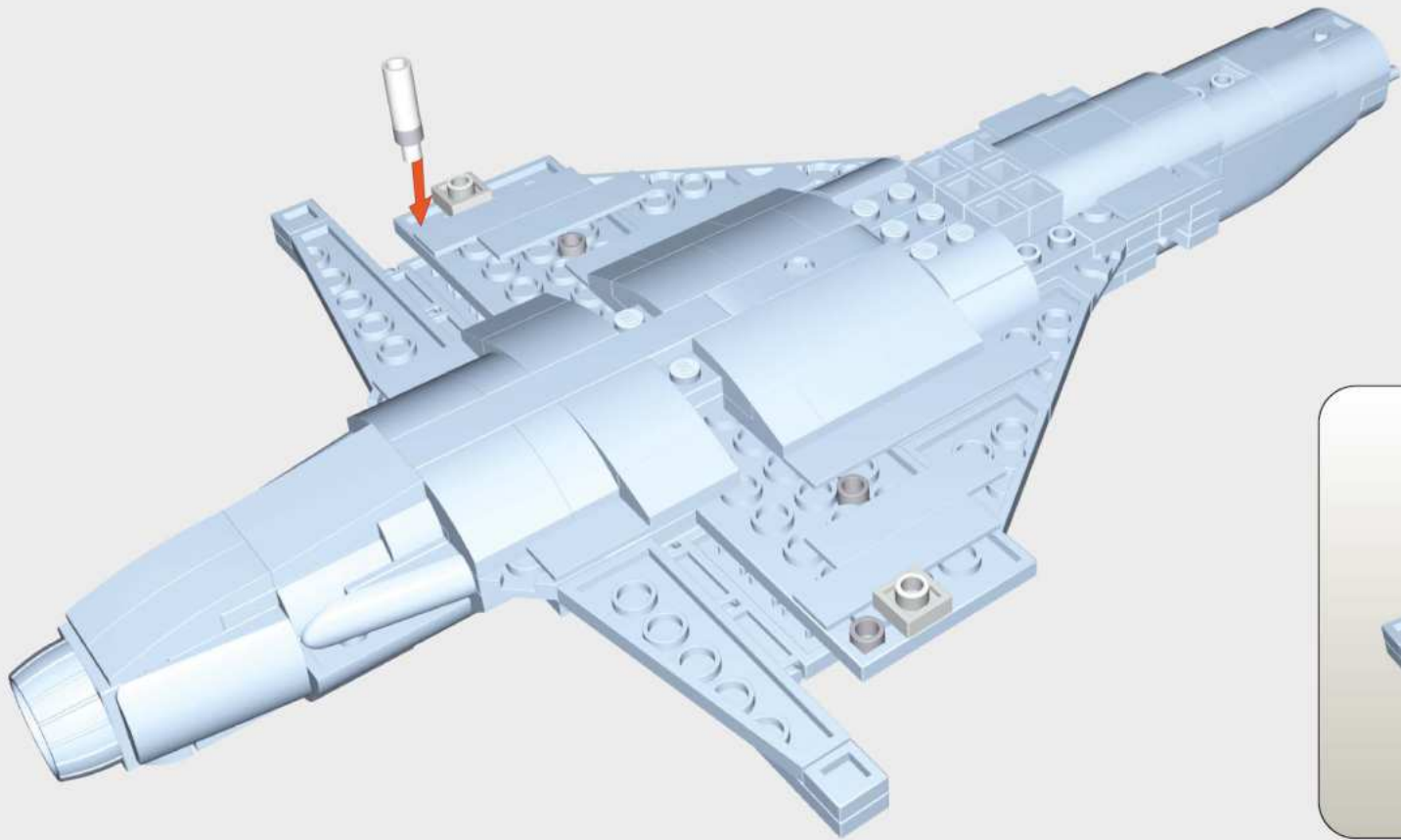


x2



-  **x2**
-  **x2**
-  **x2**

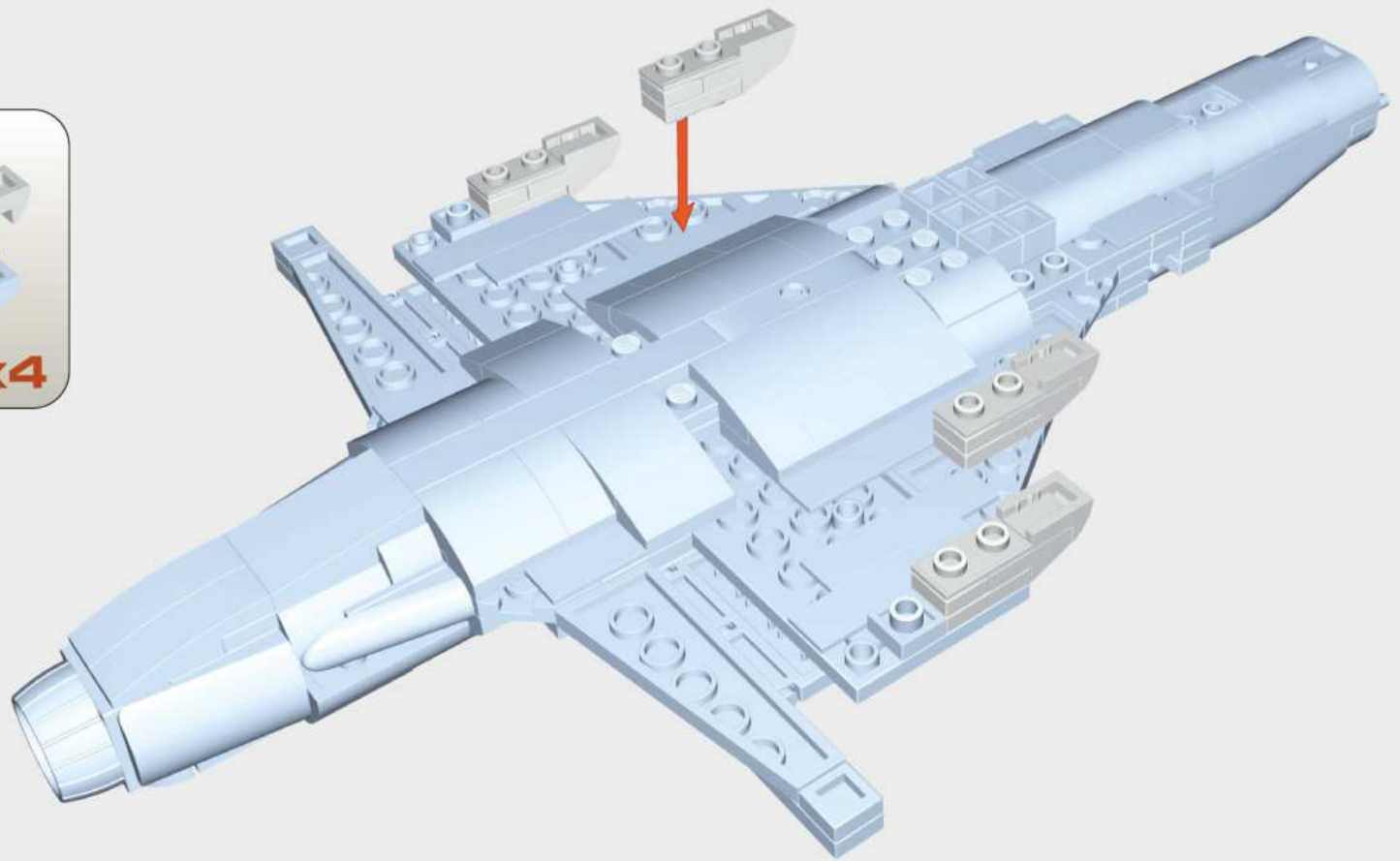
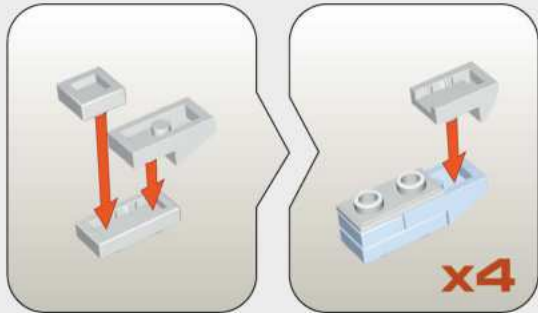
67

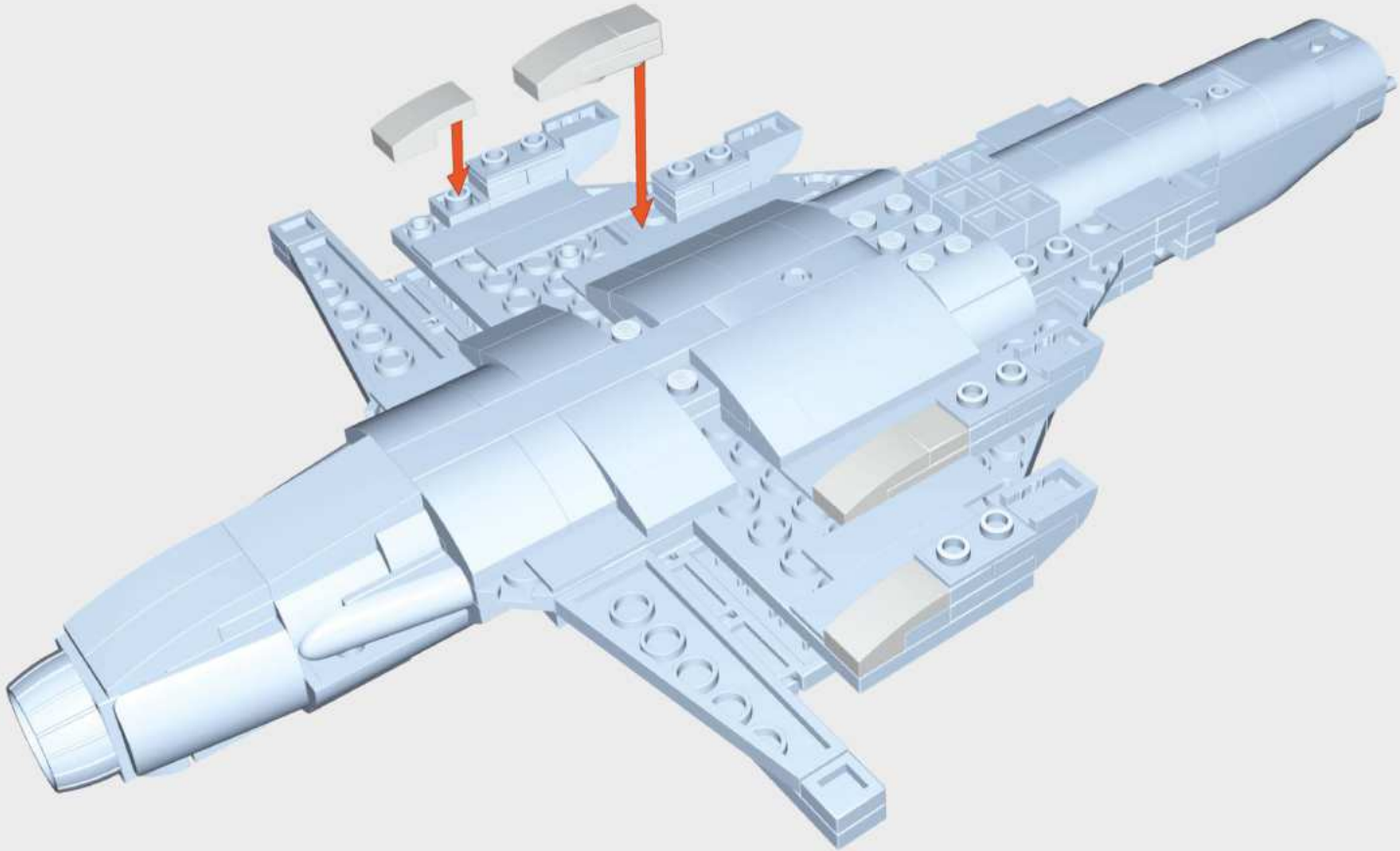


x2

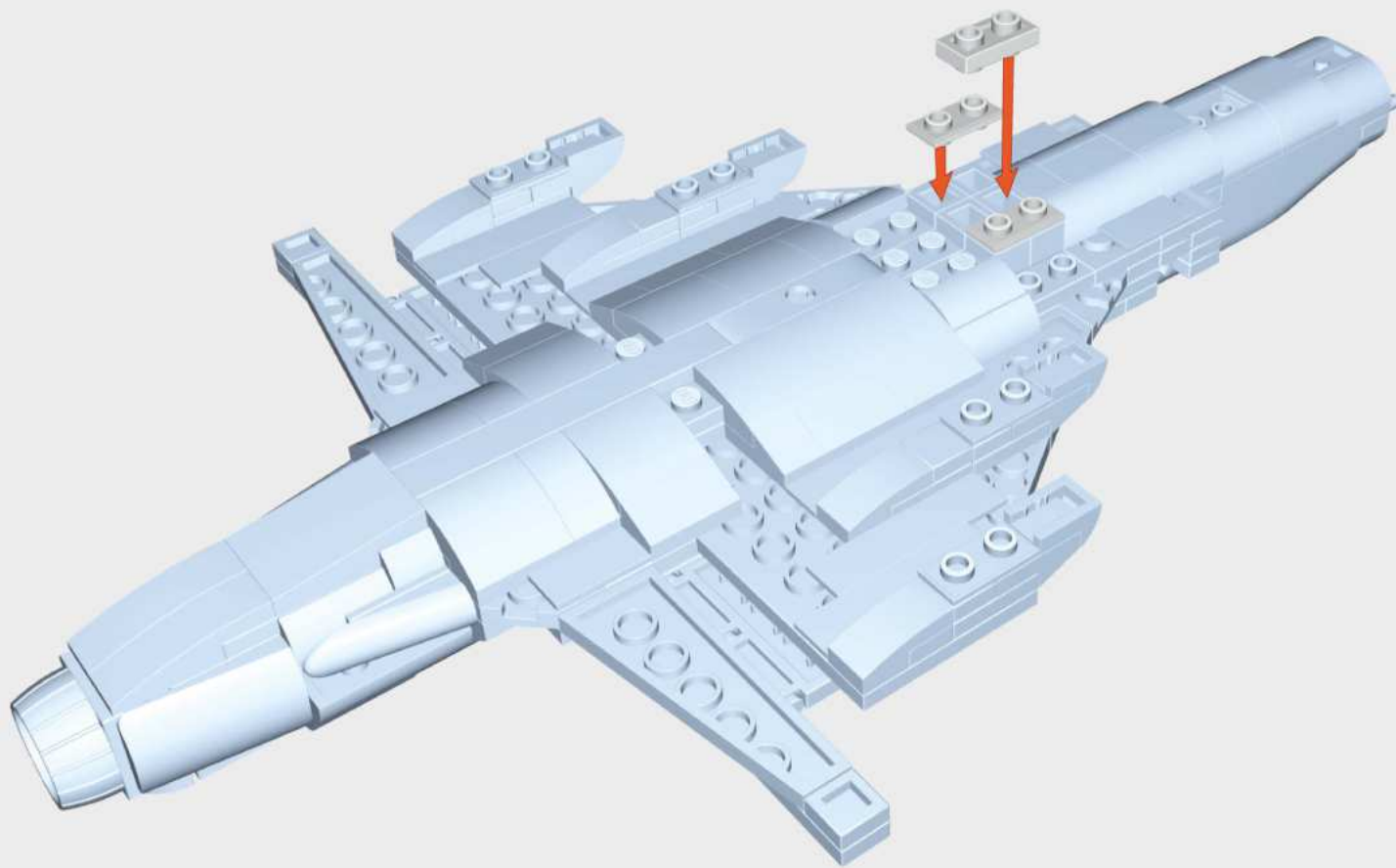


x4





70

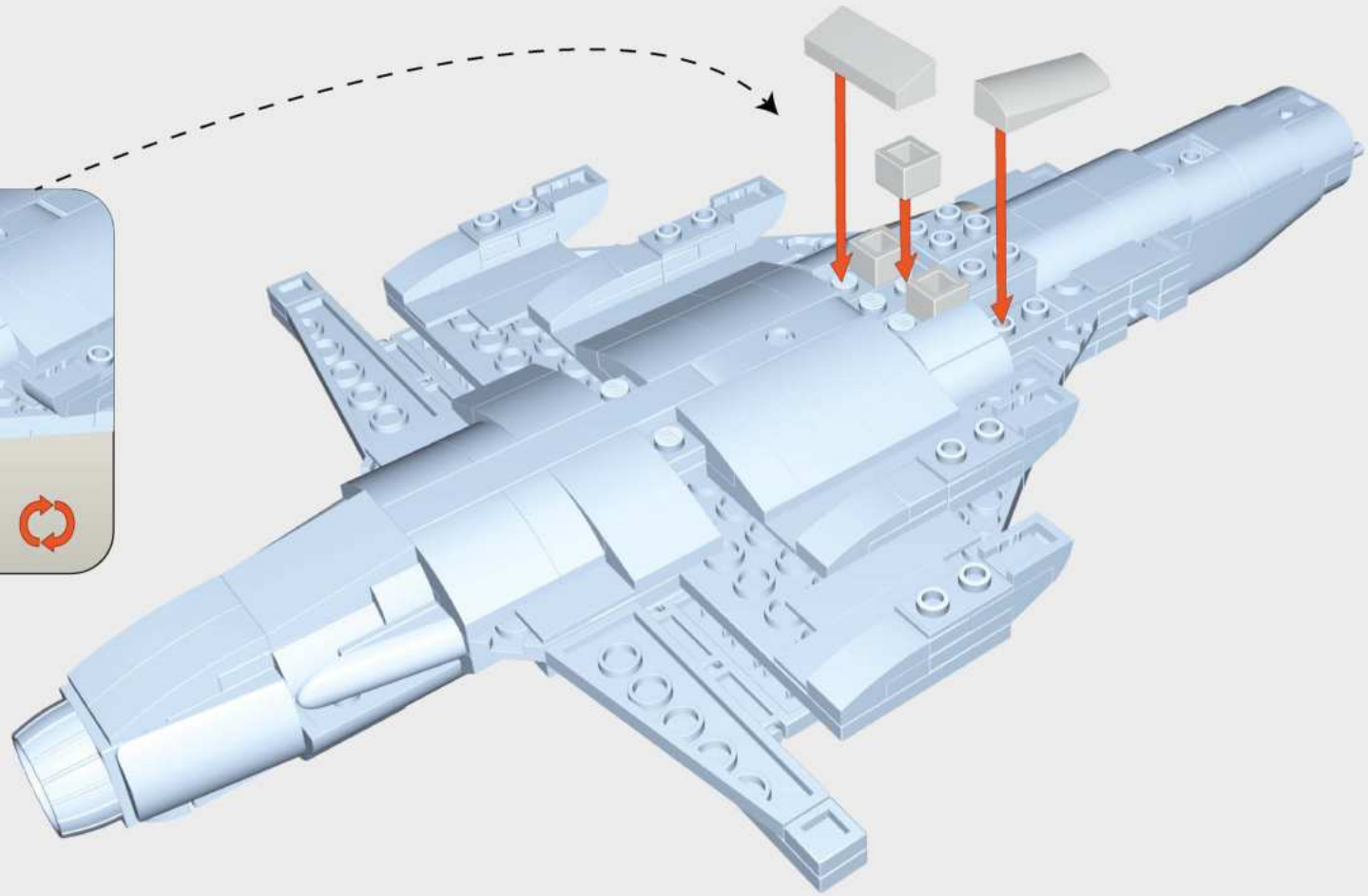
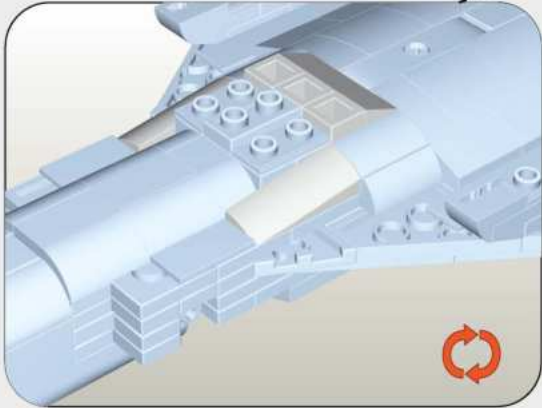






x2



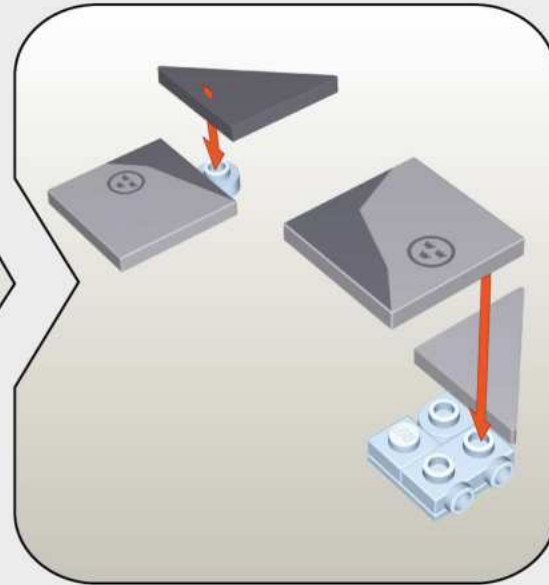
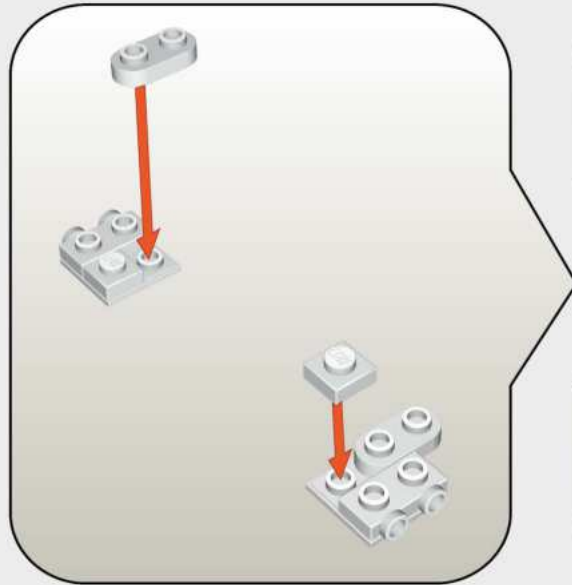
x1









71



 **x3**  **x1**  **x1**  **x1**

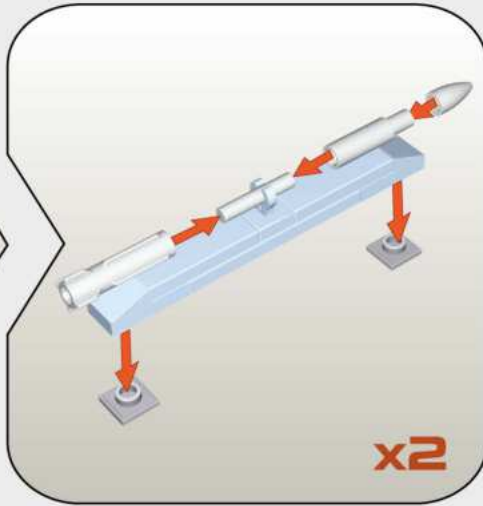
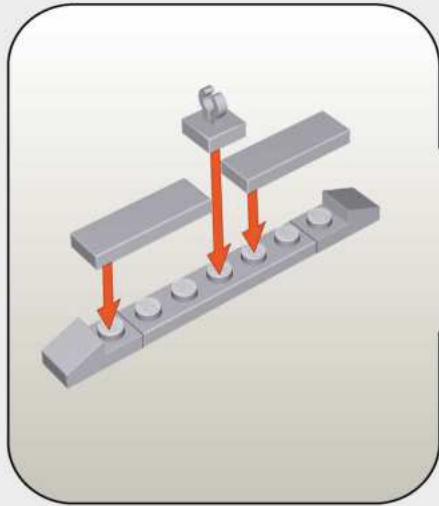
72



- | | | |
|---|---|--|
|  |  |  |
| x2 | x2 | x2 |
|  |  |  |
| x2 | x1 | x1 |
|  |  | |
| x1 | x1 | |



73



1:1



x4



x2



x4



x2



x2



x2



x2



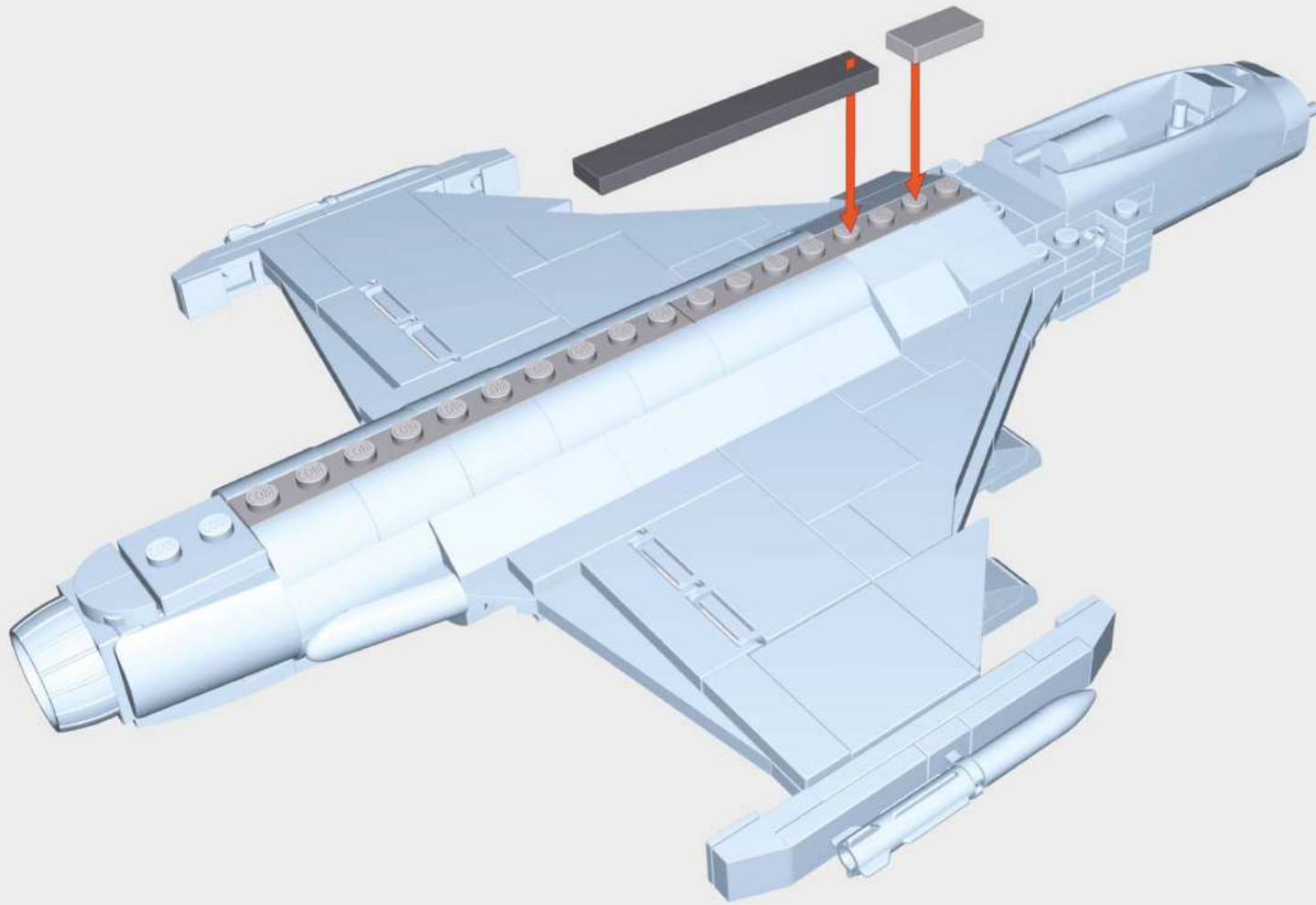
x2



x4

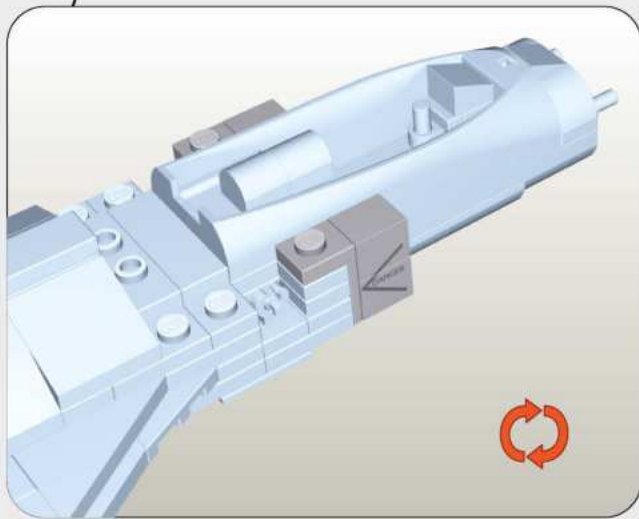
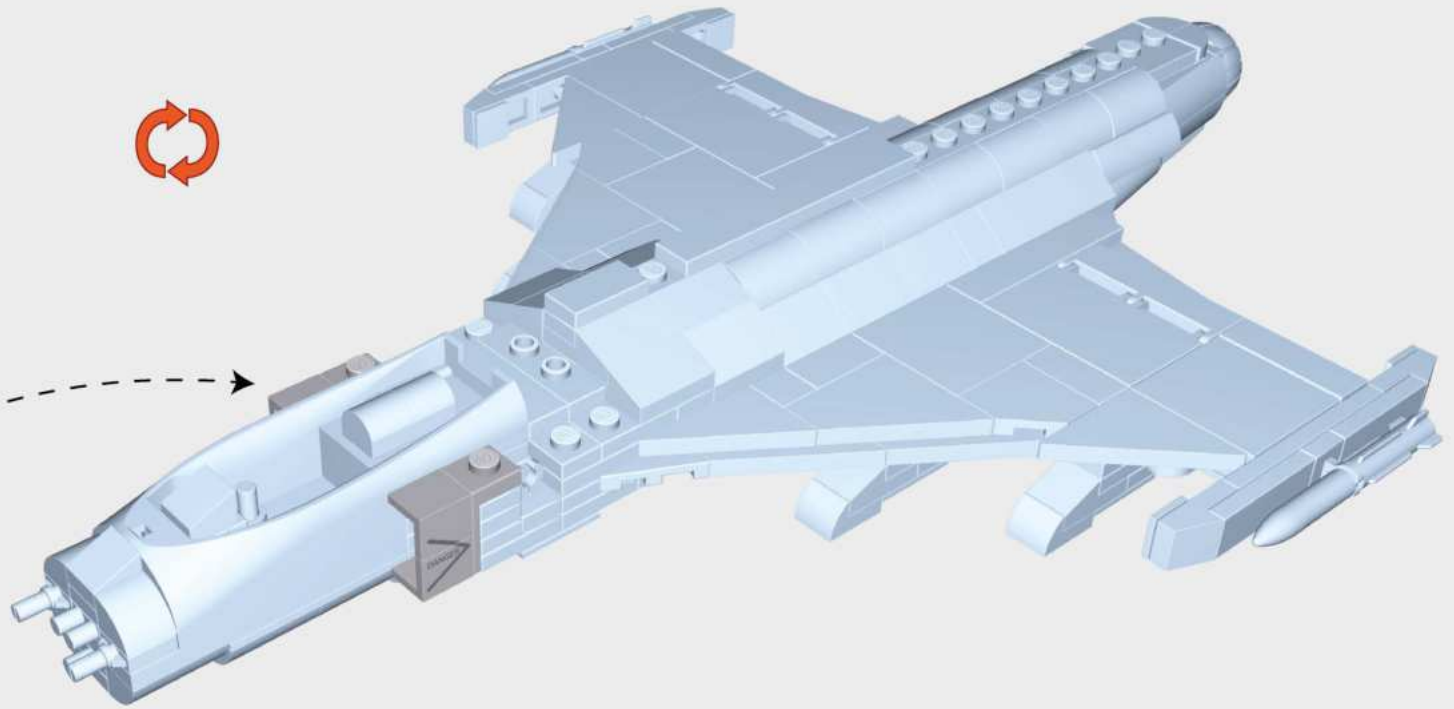


74



		1:1	1:1
x1	x1	x1	x1

75

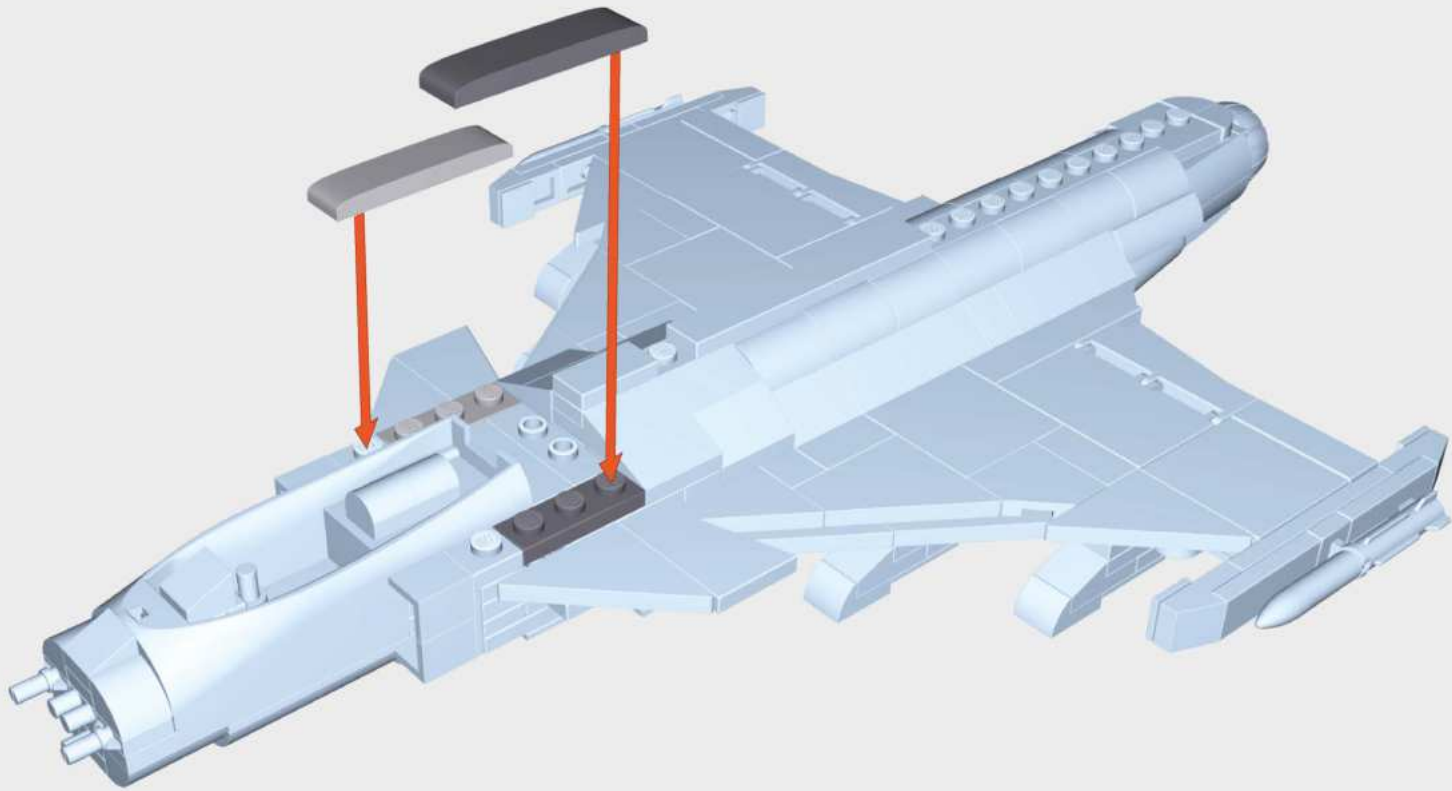


x1



x1

77



x1



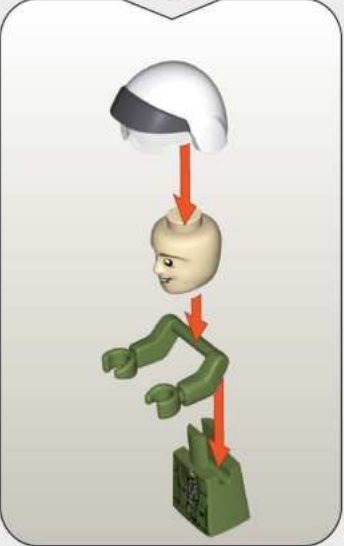
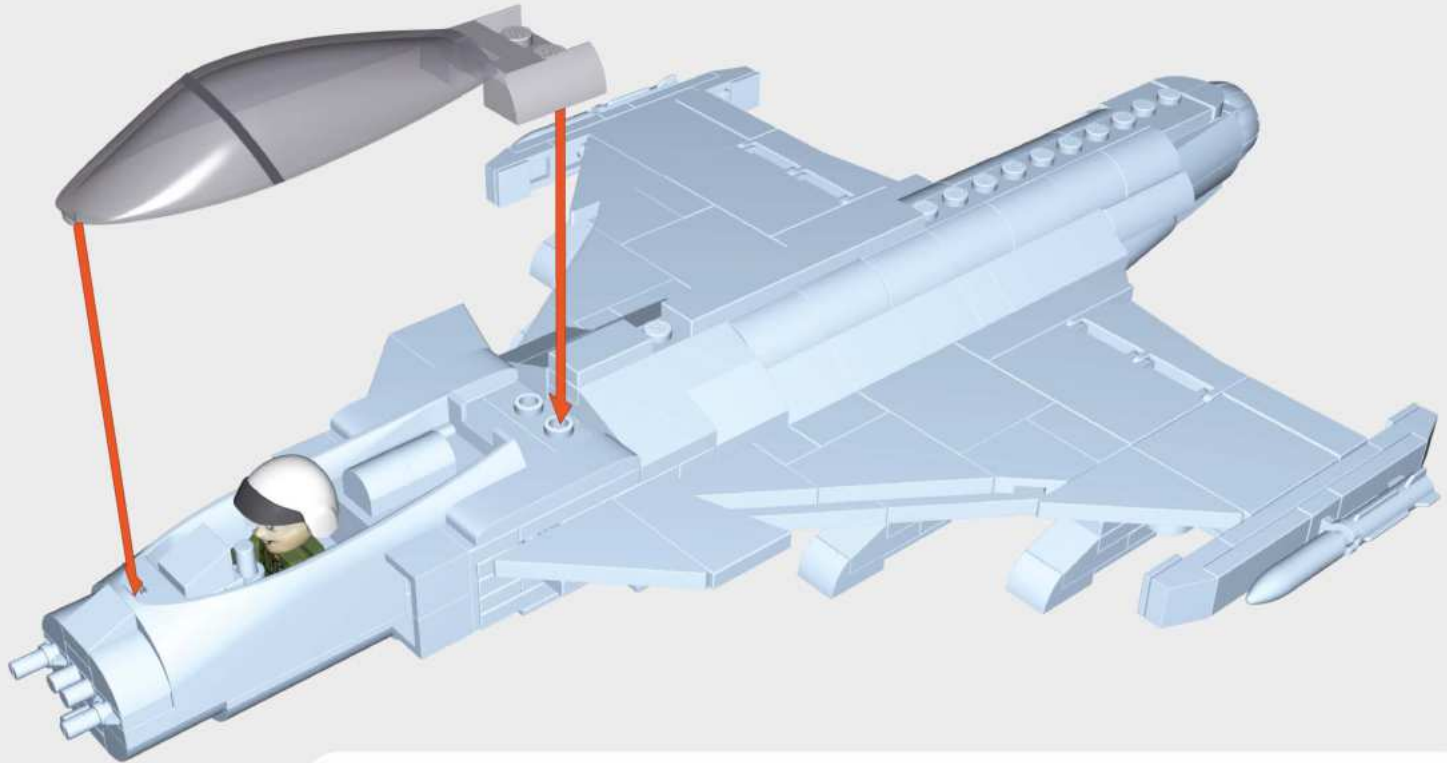
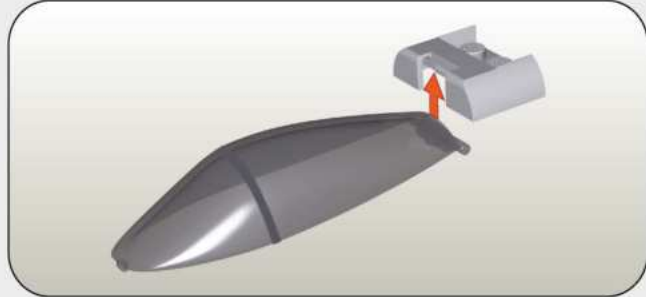
x1










x1

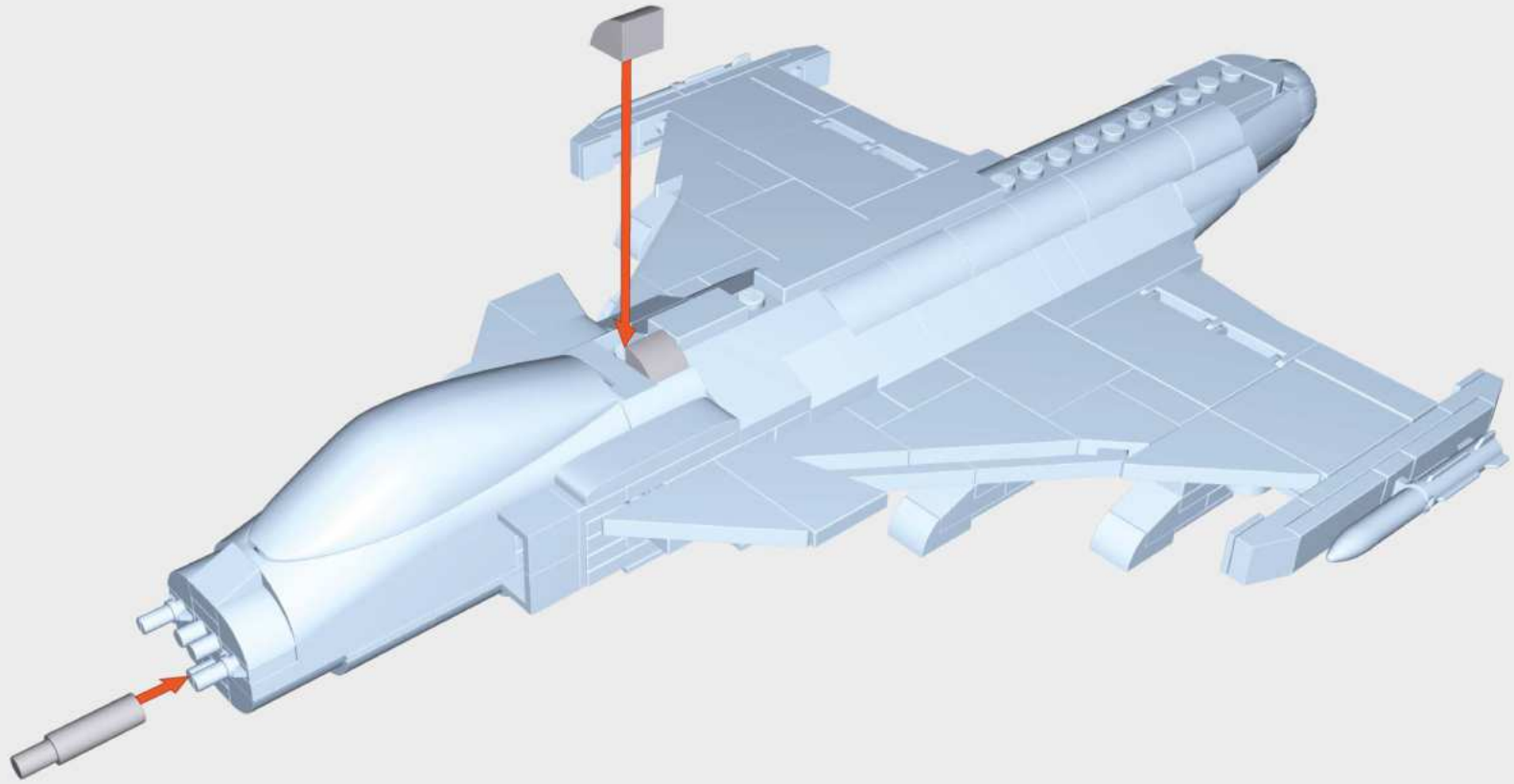


x1



-  **x1**
-  **x1**
-  **x1**
-  **x1**
-  **x1**
-  **x1**
-  **x1**

79



x2



x1



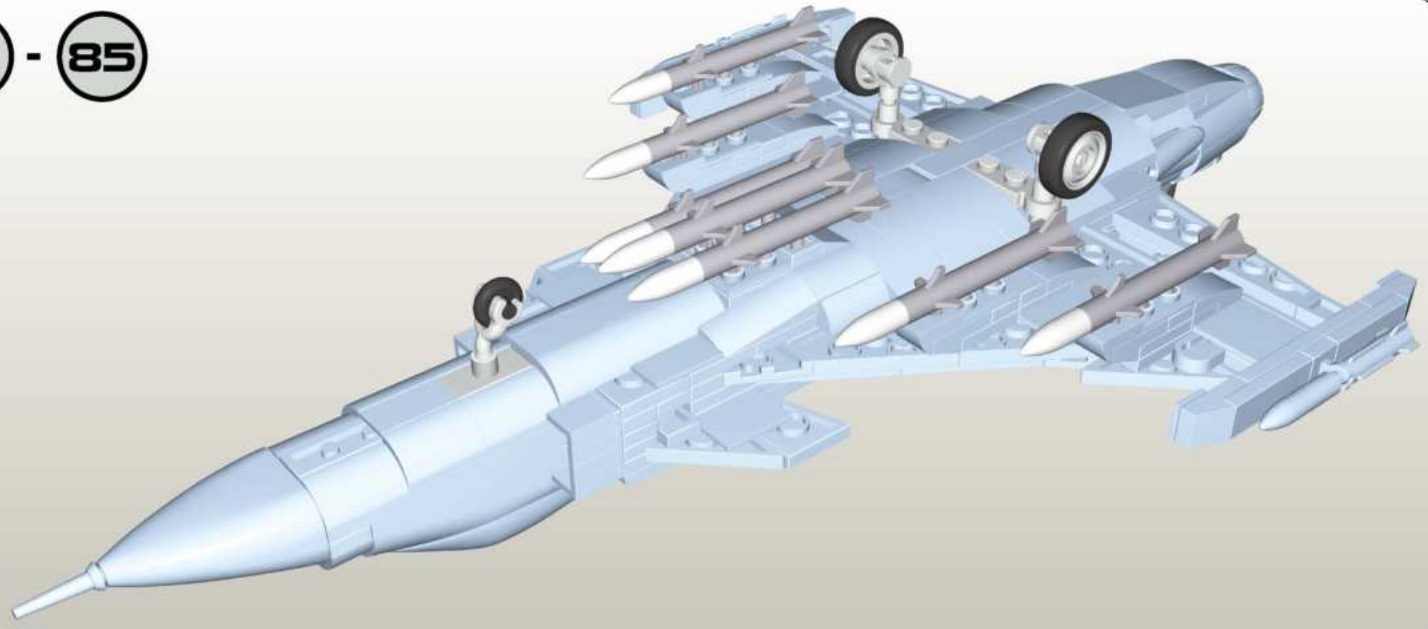
x1



x1

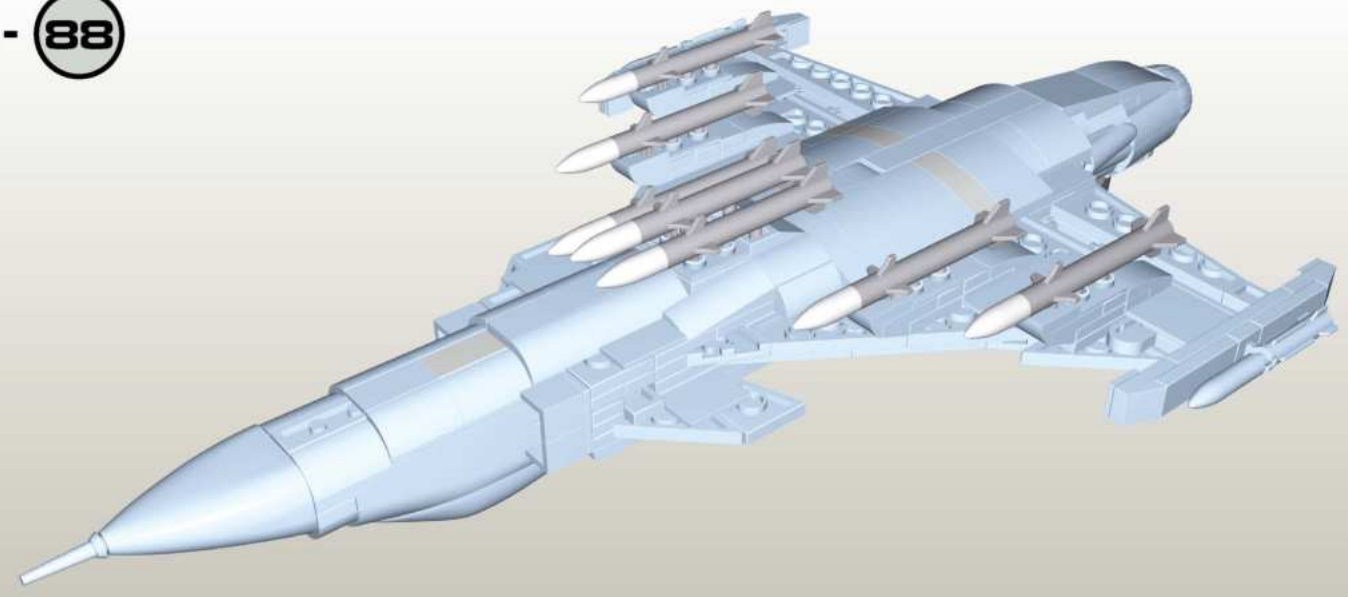
81 - 85

A

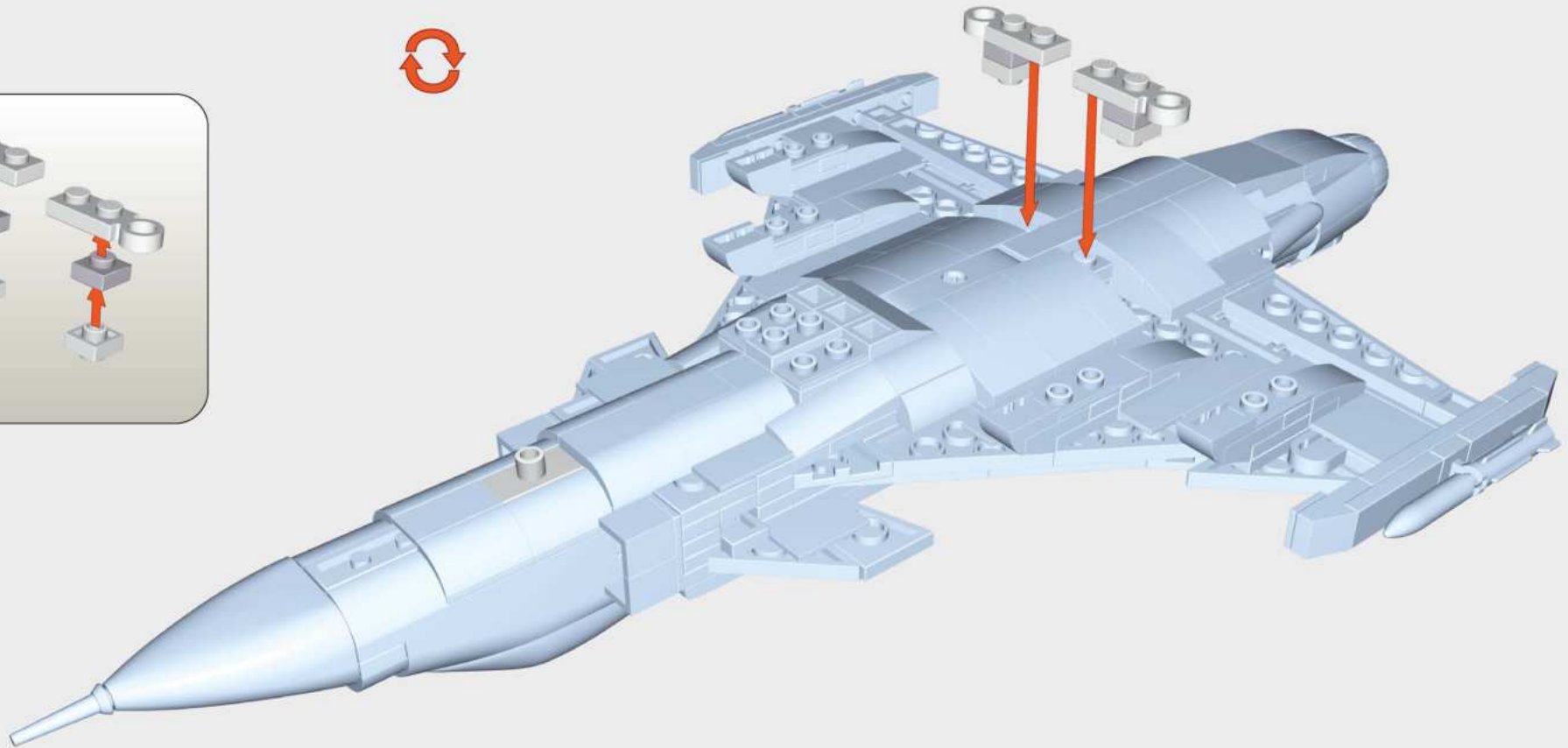
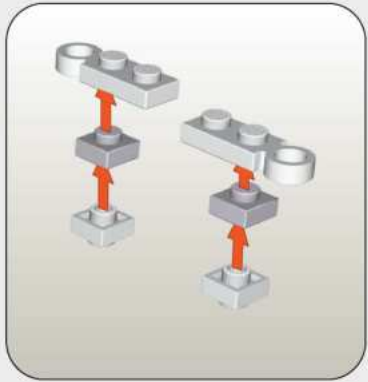


86 - 88

B



81 - A



x1



x2

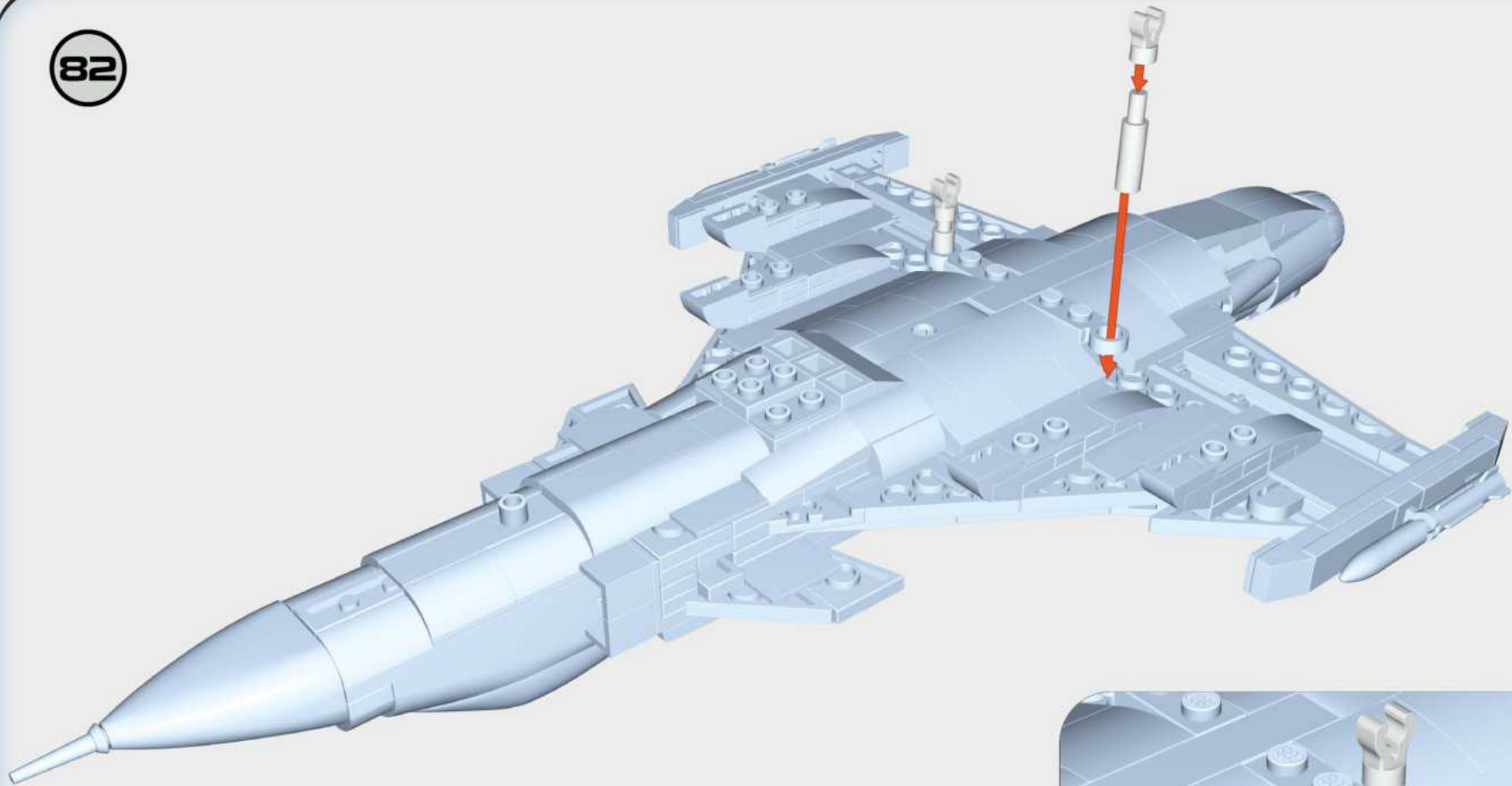


x2



x2

82

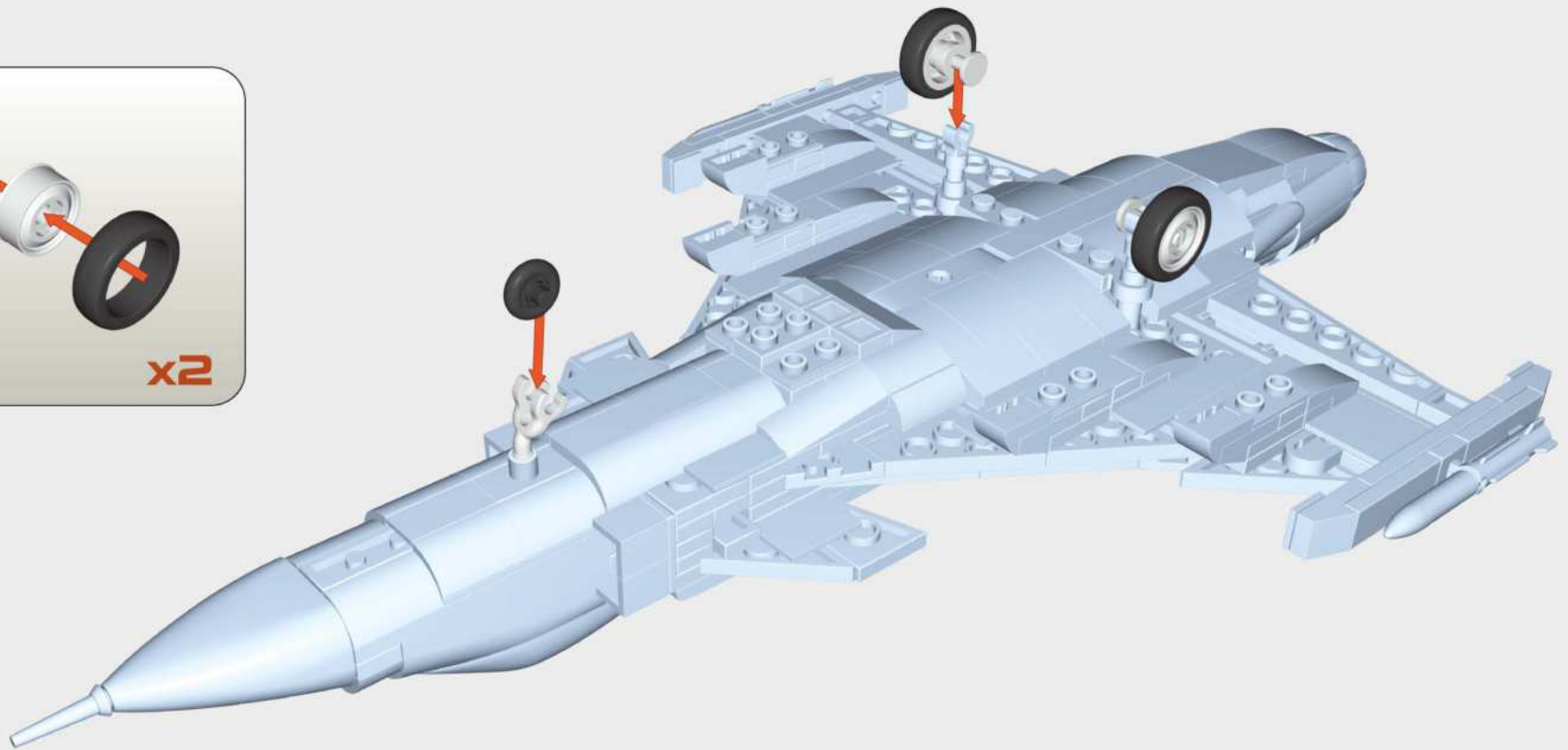
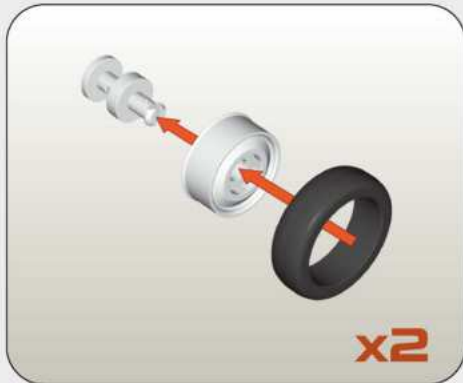


x2



x2

83



x2



x2



x2

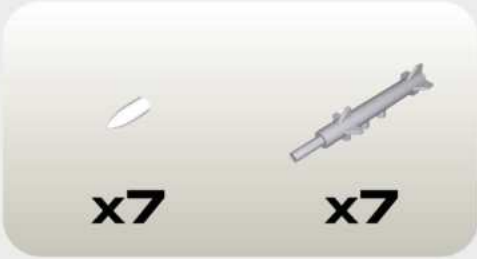
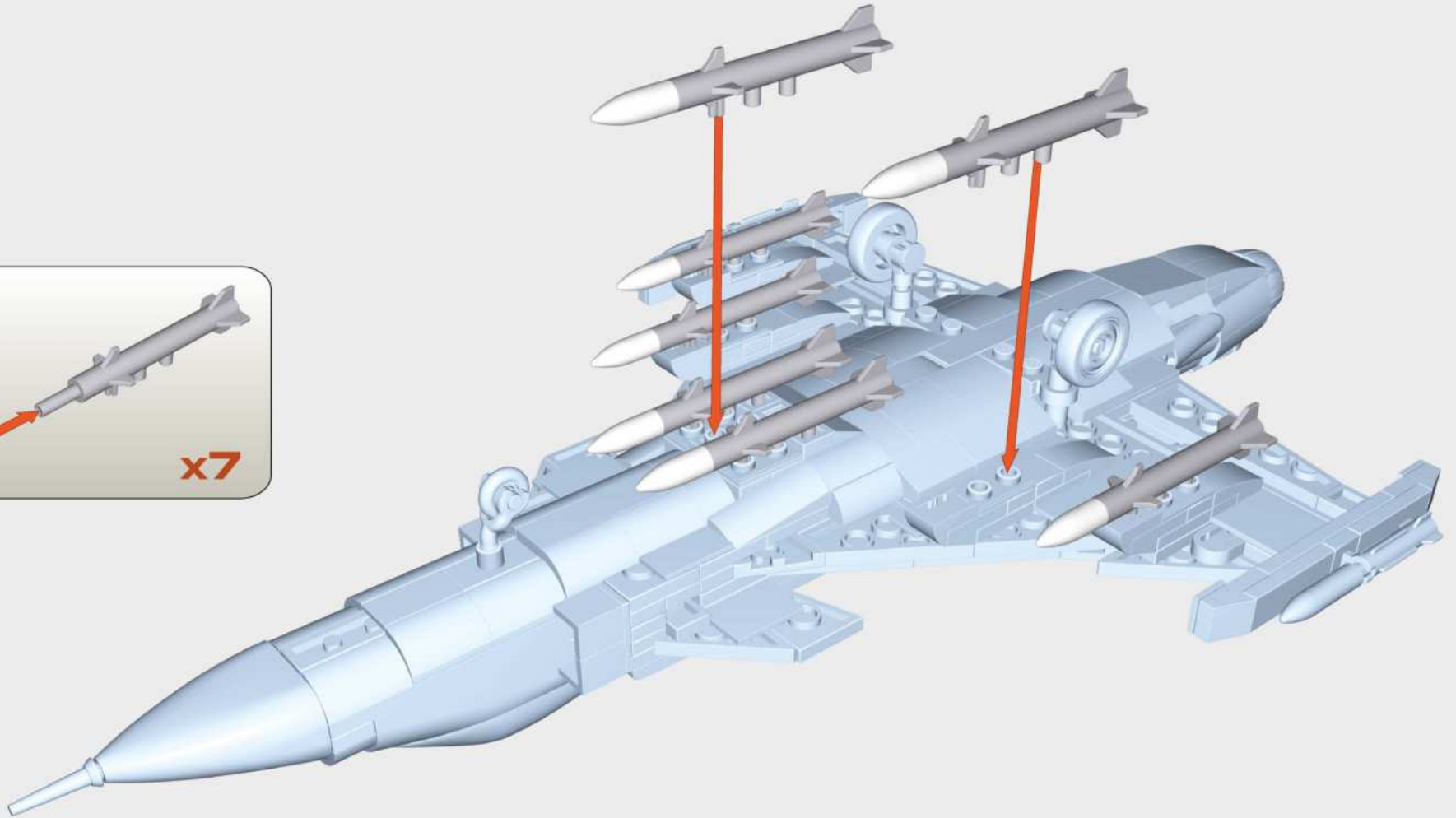
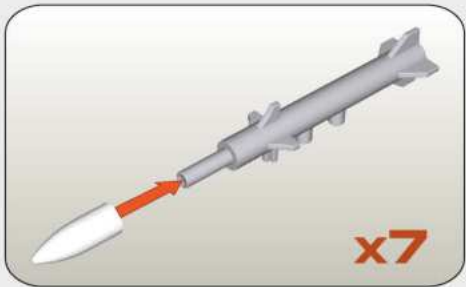


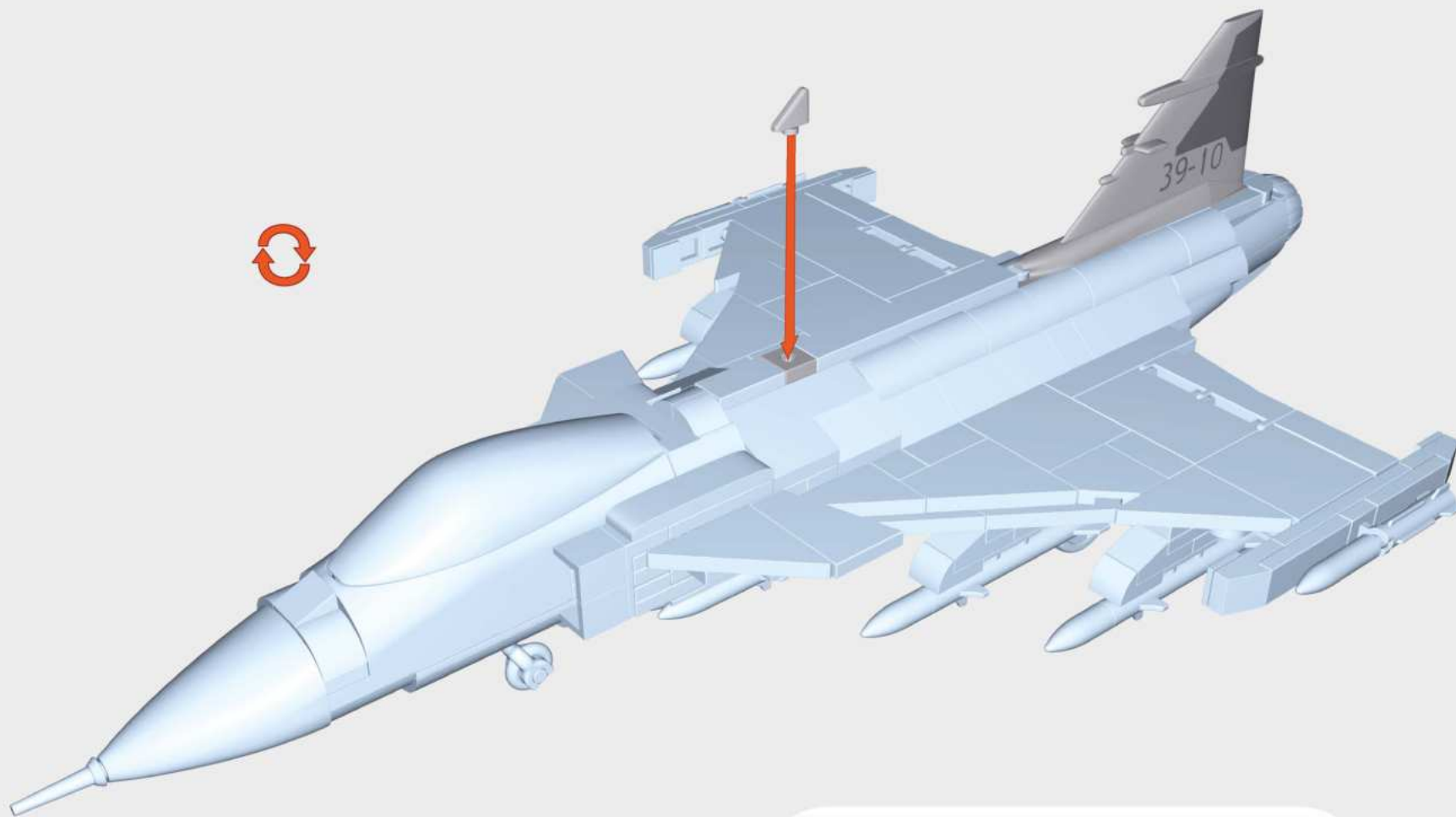
x1






x1

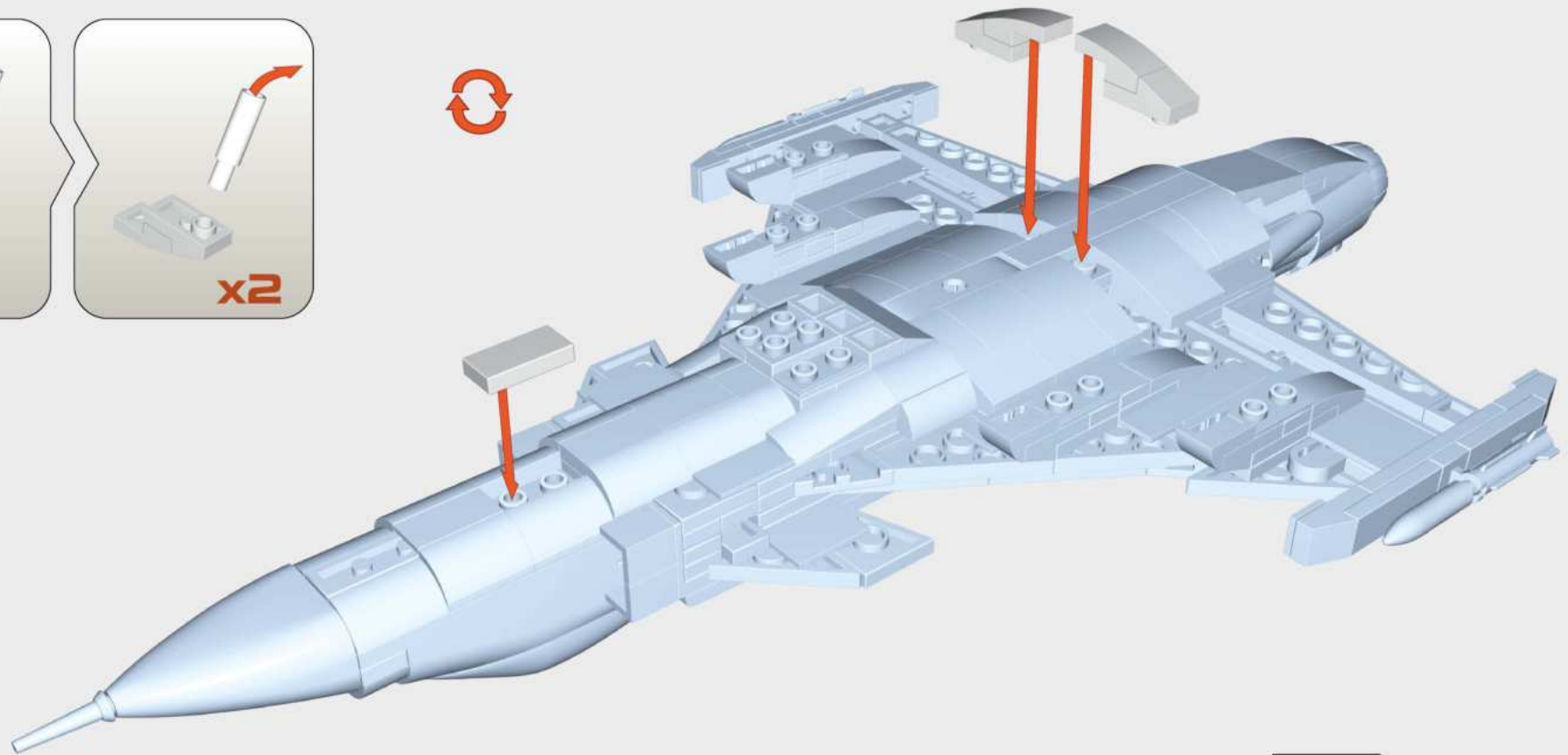
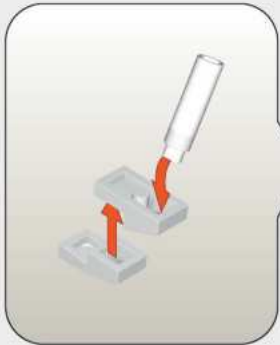
84





		
xl	xl	xl

86 - B



1:1



x2



x2

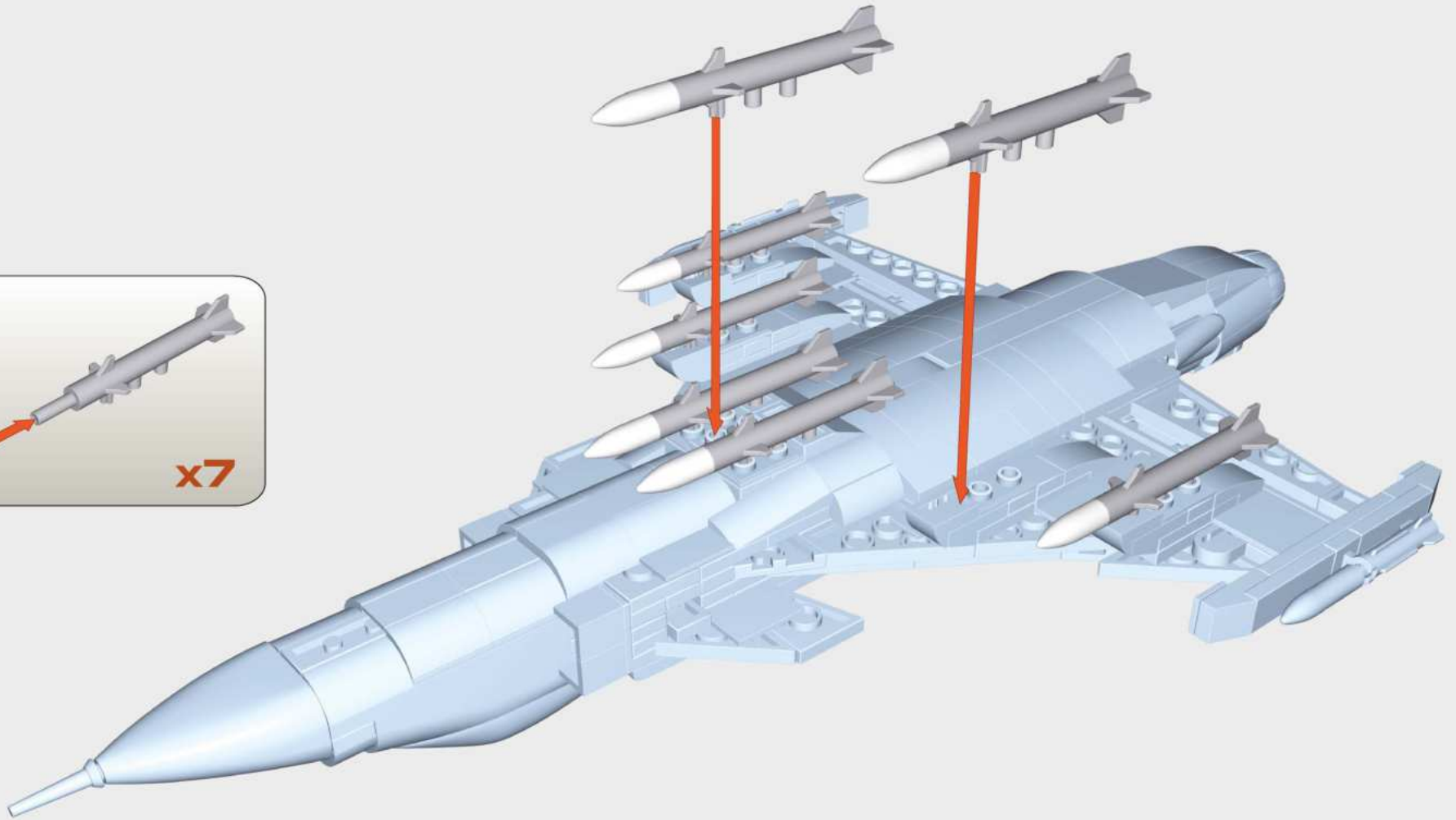
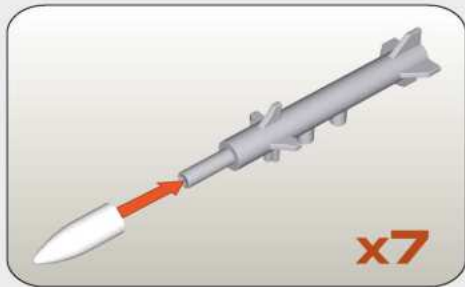


x2






x1

87



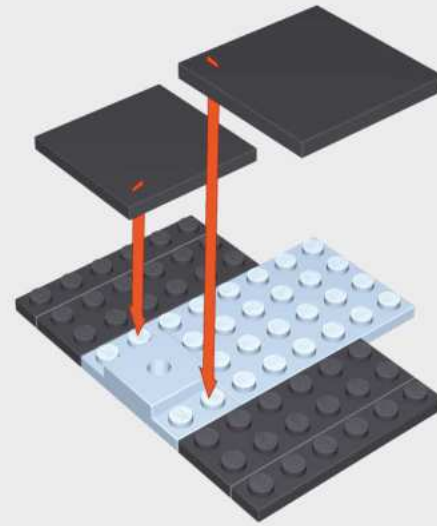


		
xl	xl	xl

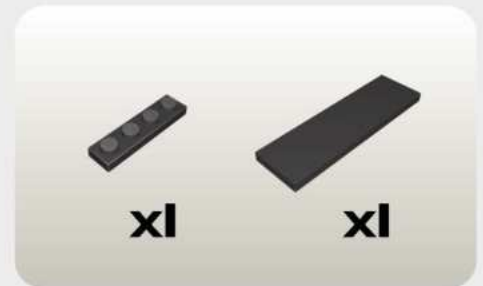
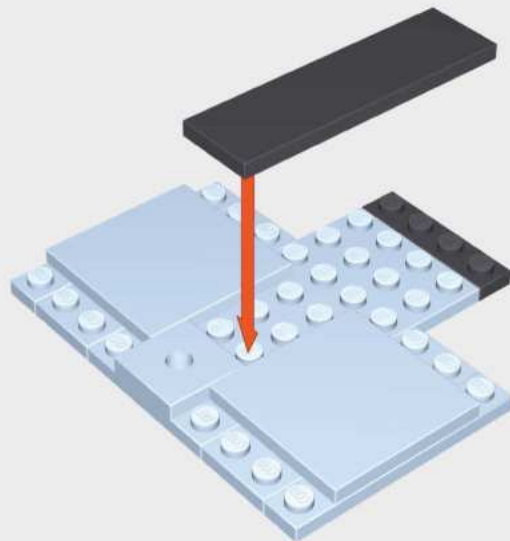
89



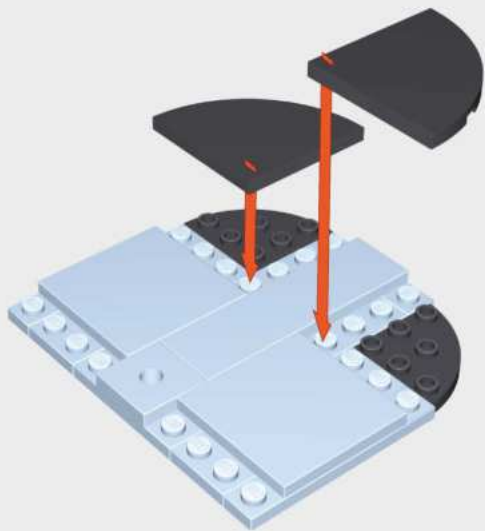
90



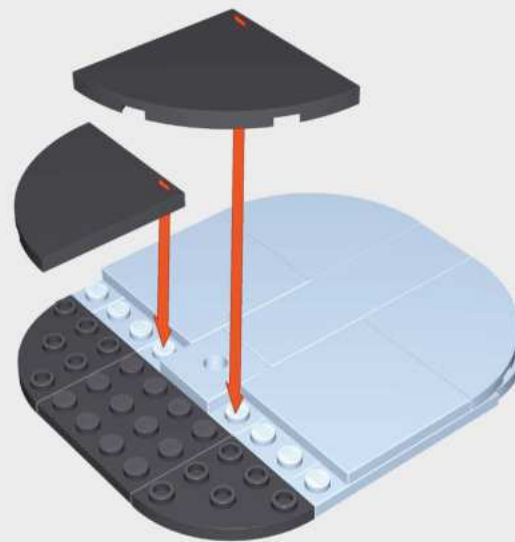
91



92



93



94



95



1:1



96 - B



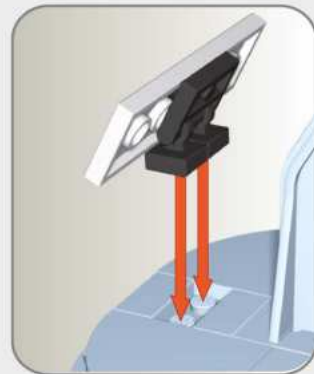
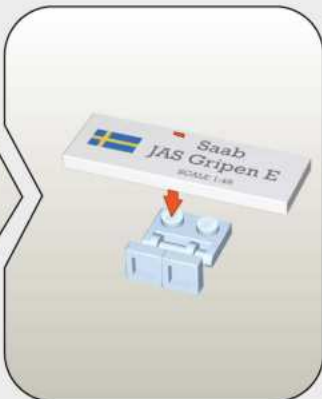
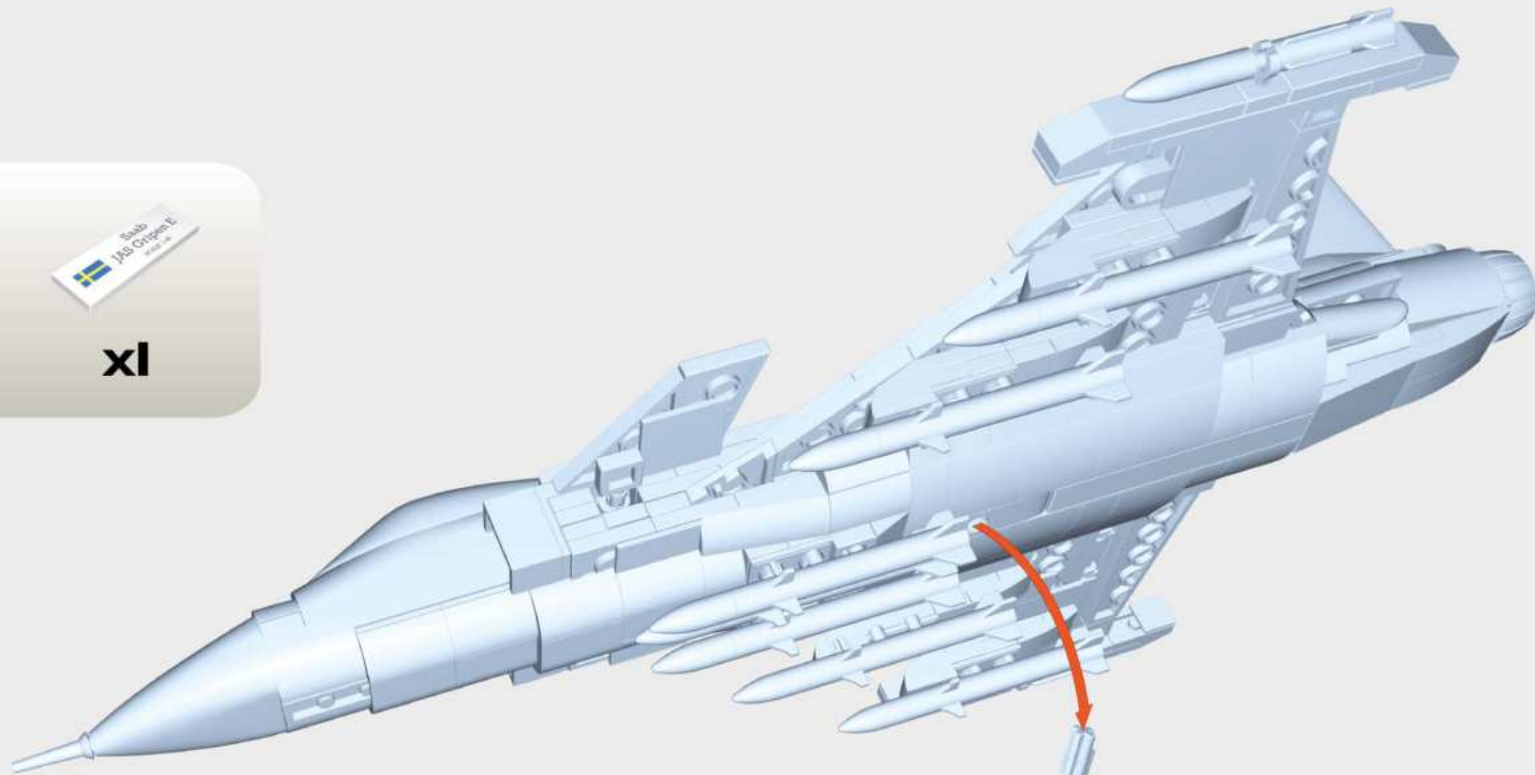
x2

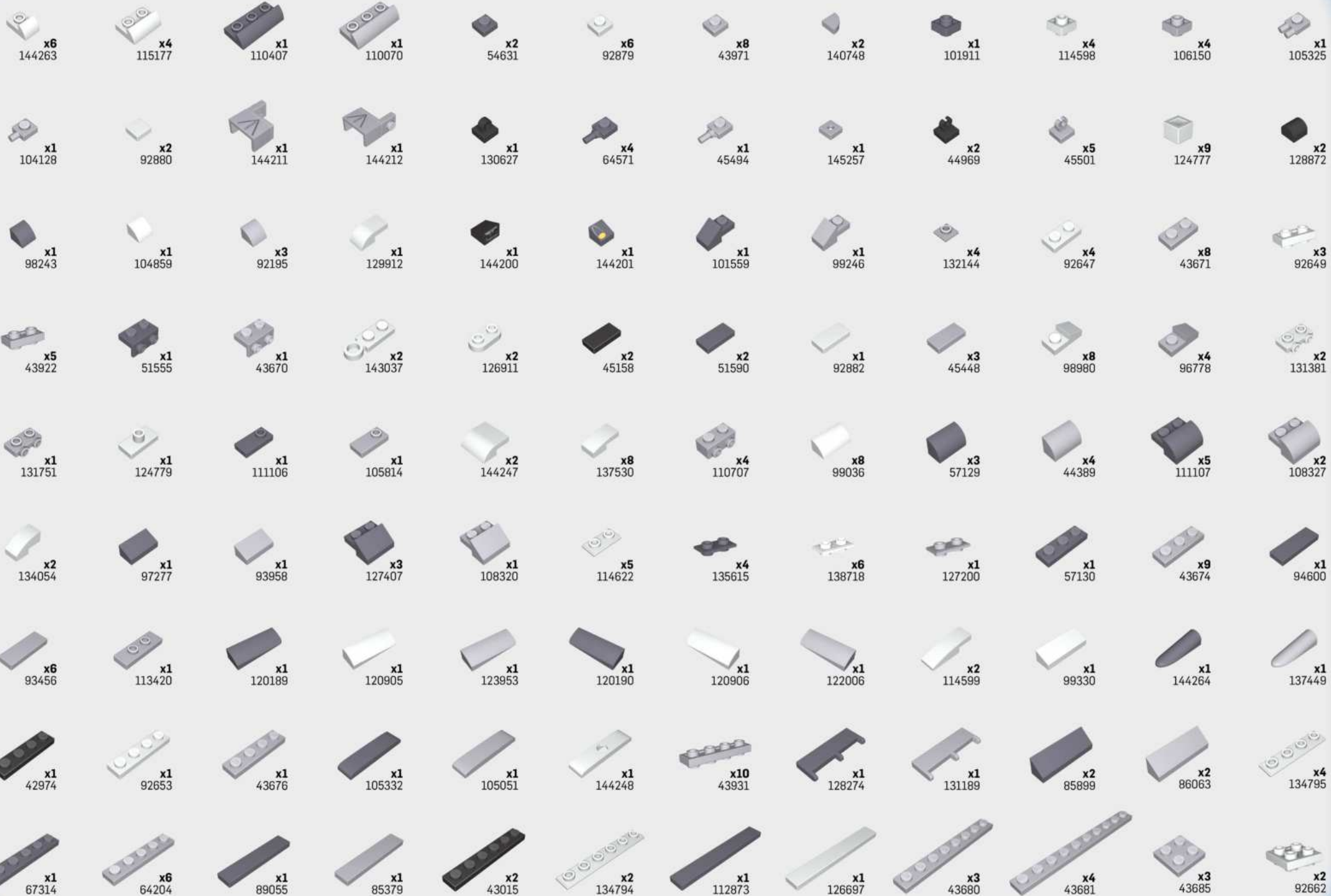


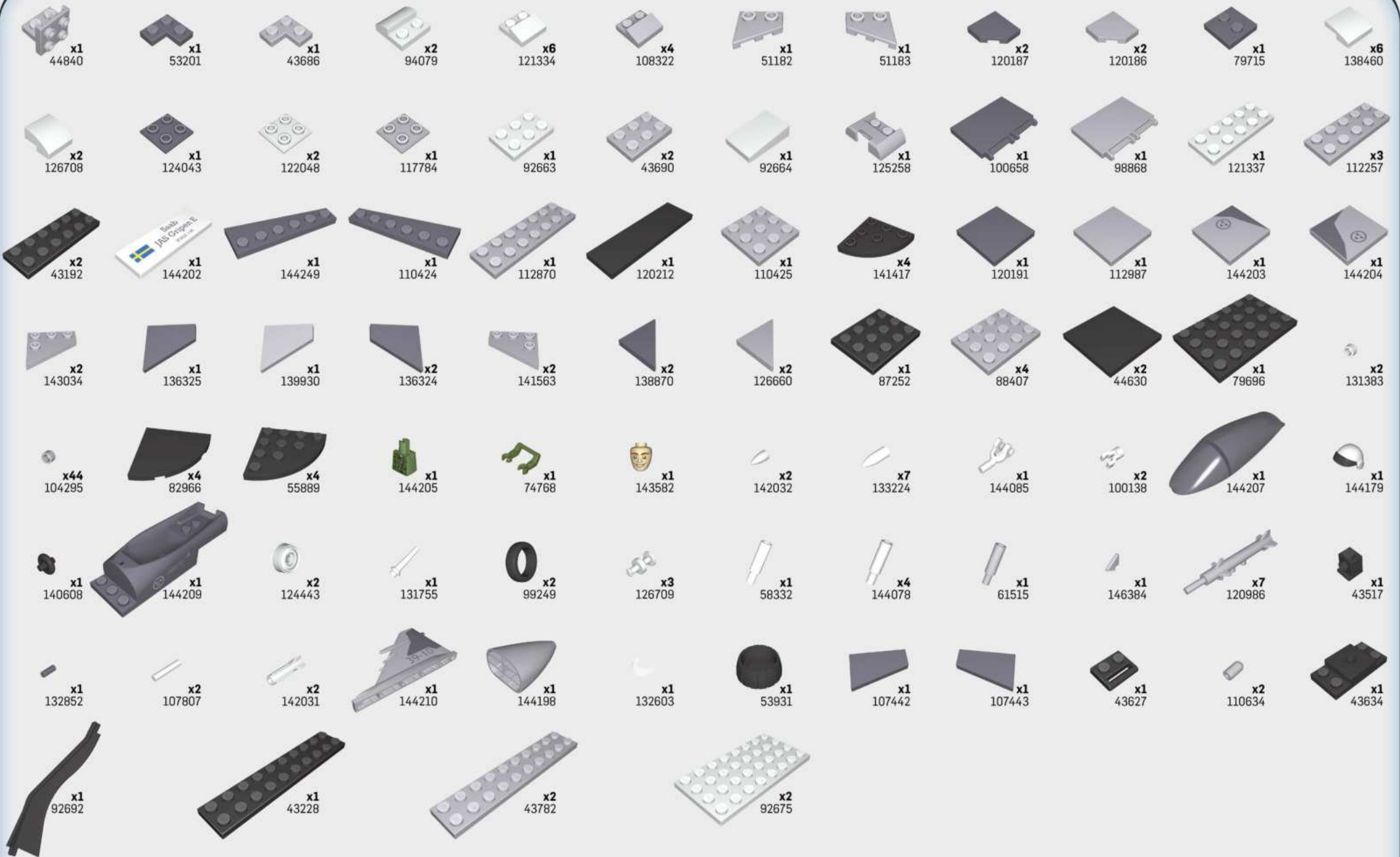
x1



x1









HISTORICAL COLLECTION



MIG-15 NATO "FAGOT"
★ 2416



MITSUBISHI A6M2 "ZERO-SEN"
🇯🇵 5729



LIM-5 POLISH AIR FORCE 1959
🇵🇱 5824



HAWKER HURRICANE MK. I
🇬🇧 5728



P-51D MUSTANG™
🇺🇸 5719



Produced under license from Boeing. Boeing and the P-51 Mustang are trademarks of the Boeing Company.



PzKpfw VI TIGER „131”
SCALE 1:48
+ 2710



SHERMAN M4A1
SCALE 1:48
★ 2715

HISTORICAL COLLECTION



CHURCHILL MK. IV
SCALE 1:48
🇬🇧 2717



Sd.Kfz.10 DEMAG D7
+ 2273



Sd.Kfz.7 HALF-TRACK
+ 2275



M4A3E8 SHERMAN
SCALE 1:48
★ 2711



PzKpfw V PANTHER Ausf. G
+ 2566



PzKpfw V PANTHER „PUDEL”
🇵🇱 2568



Produced under license from Boeing. Boeing and F/A-18 Hornet are trademarks of The Boeing Company.



F/A-18C HORNET™
5819



F-16®D FIGHTING FALCON®
5815



SAAB JAS 39 GRIPEN C
5828



SAAB



F-16®C FIGHTING FALCON®
5814



LOCKHEED MARTIN®, F-16®C Fighting Falcon®, F-16®D Fighting Falcon®, associated emblems and logos, and body designs of vehicles are either registered trademarks or trademarks of Lockheed Martin Corporation in the USA and/or other jurisdictions, used under license by COBI.



F-16®C FIGHTING FALCON®
5813





Produced under license from Boeing. Boeing and F/A-18 Hornet are trademarks of The Boeing Company.



F/A-18C HORNET™
5810



MIRAGE III S SWISS AIR FORCE
5827



MIRAGE III C
5818



MIRAGE III C
5826



WWW.COBI.EU

For news and special deals

00-05820-475

Find us on:
f cobi.bricks
i cobi.klocki
y COBI SA