

**ARMED FORCES**



**SAAB**



**SAAB JAS 39 GRIPEN C**  
 BUILD BY SAAB, SWEDEN  
 ROLE - MULTI-ROLE FIGHTER  
 WINGSPAN - 8,4m  
 OVERALL LENGTH (inc. PITOT TUBE) - 14,9m  
 BASIC EMPTY WEIGHT - 6,800kg  
 MAXIMUM TAKE-OFF WEIGHT - 14,000kg  
 ENGINE - VOLVO AERO RM12 AFTERBURNING TURBOFAN  
 MAX THRUST - 80.5kN  
 TAKE-OFF DISTANCE - 400m  
 LANDING DISTANCE - 500m  
 MAXIMUM SERVICE ALTITUDE - >16,000m (52,500ft)  
 ARMAMENT - INTERNAL MAUSER BK-27mm GUN,  
 VARIOUS A/A and A/G WEAPON CONFIGURATIONS INC:  
 AIR-TO-AIR: 2x WING TIP INFRA-RED GUIDED MISSILES,  
 4x RADAR GUIDED MISSILES  
 MAX SPEED - >MACH 2  
 G-LIMITS - -3 TO +9G  
 COMBAT TURNAROUND TIME - <10min  
 CREW - 1



5828

**PAD PRINTED**  
**NO STICKERS**

**Printed in EU**



**UK CA**

**CE**



**WARNING: CHOKING HAZARD-**  
 Toy contains small parts.  
 Not for children under 3 years.

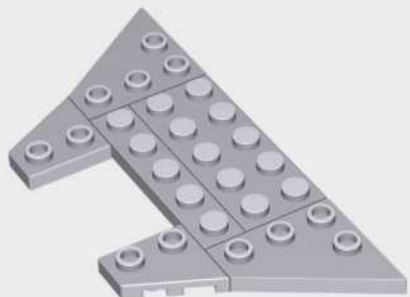
**465**



**SAAB JAS 39 GRIPEN C**

**SCALE 1:48**

1



x1



x1



x1



x1

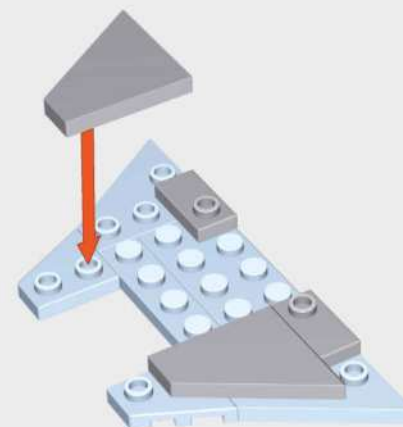


x1



x1

2



x2

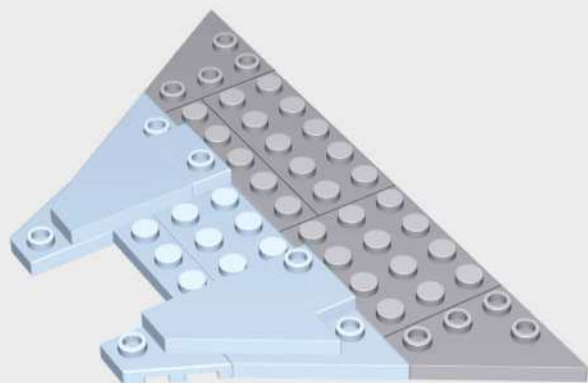


x1



x1

3



x1



x1



x1

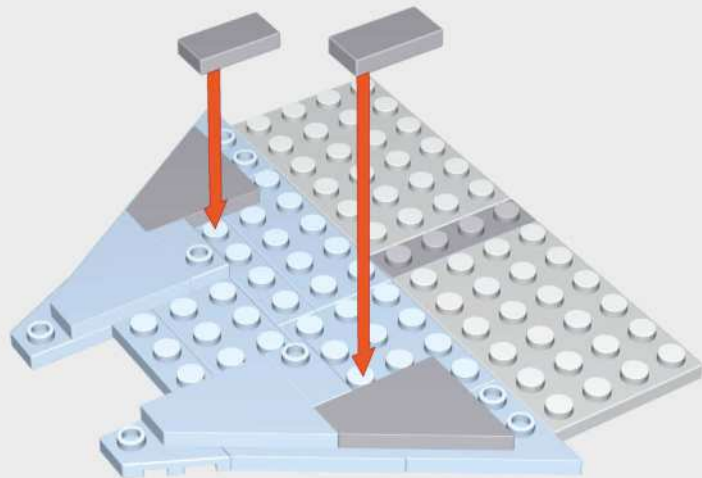


x1



x1

4



1:1



x1



x1



x1

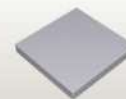
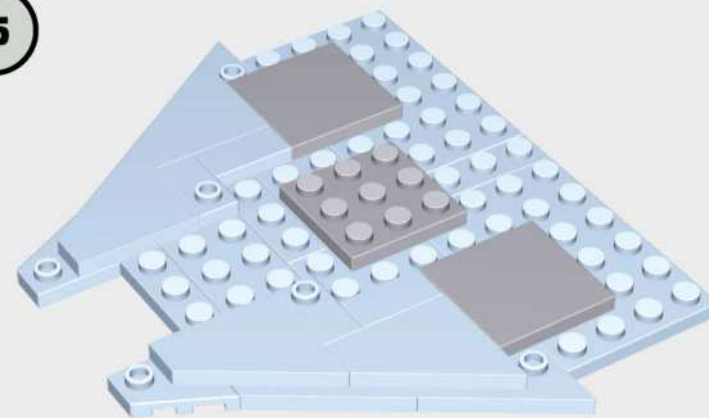


x2



x2

5

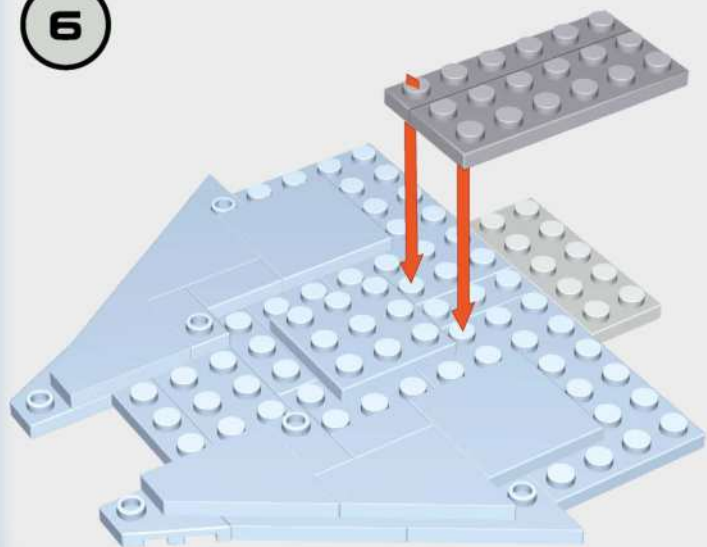


x2



x1

6



x1

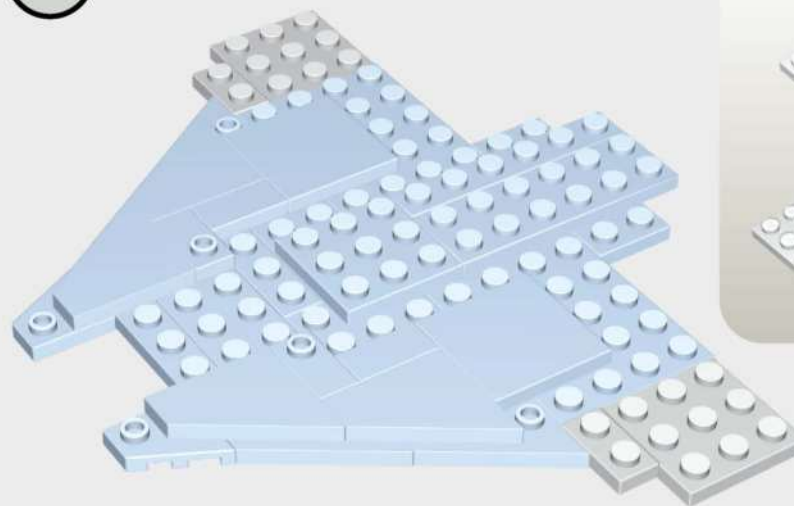


x1



x1

7



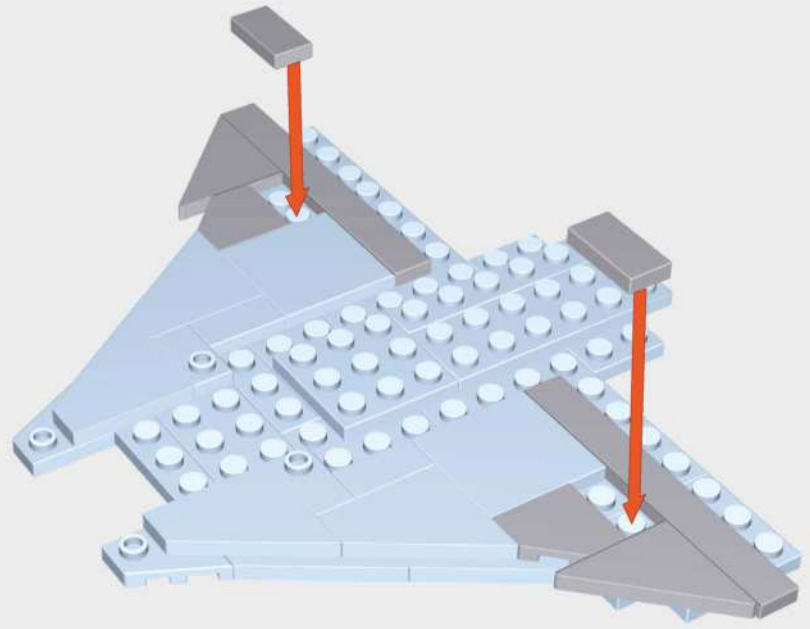
x2



x2



8



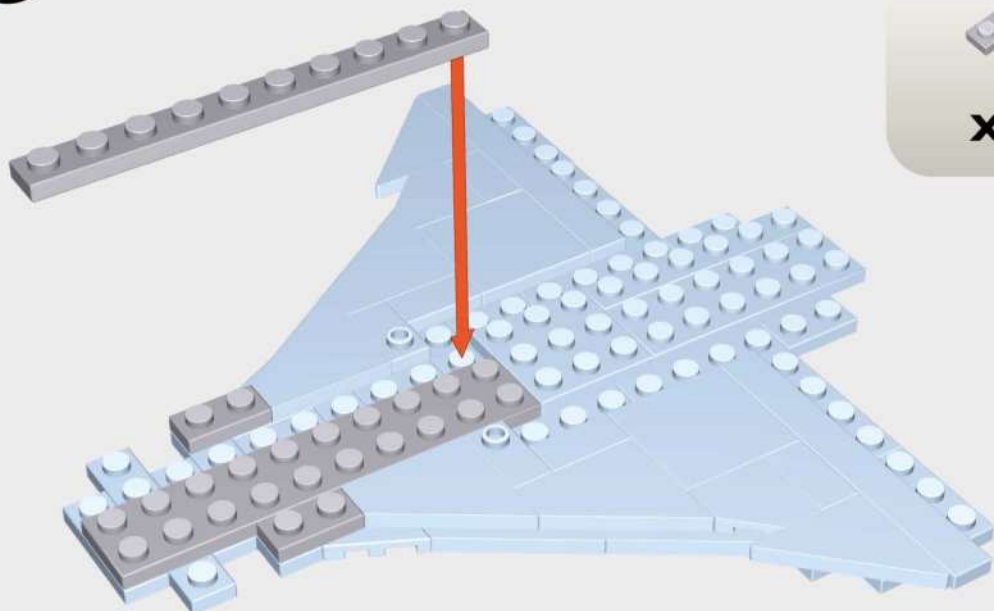
x2	x2	x2	x2
1:1			1:1

9



x1	x2	x2

10



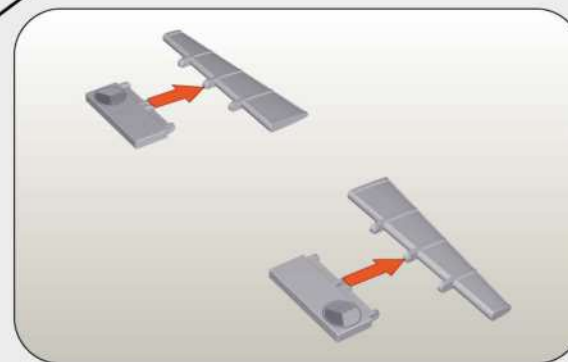
x2



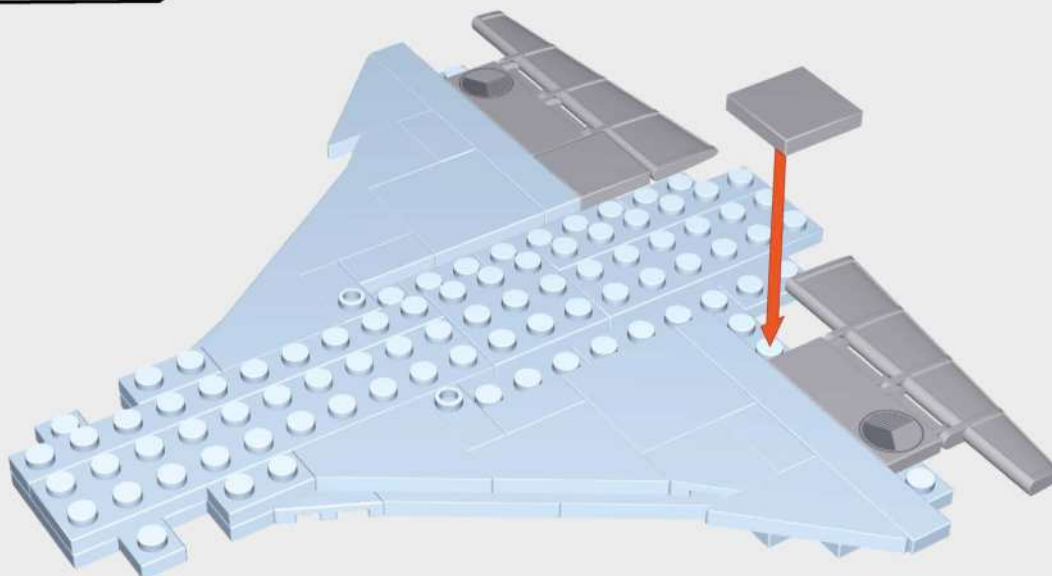
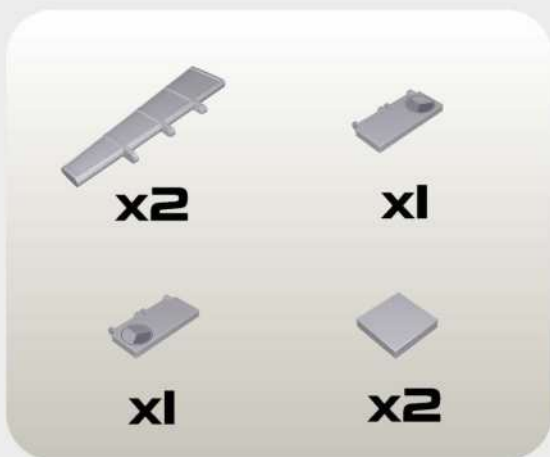
x1



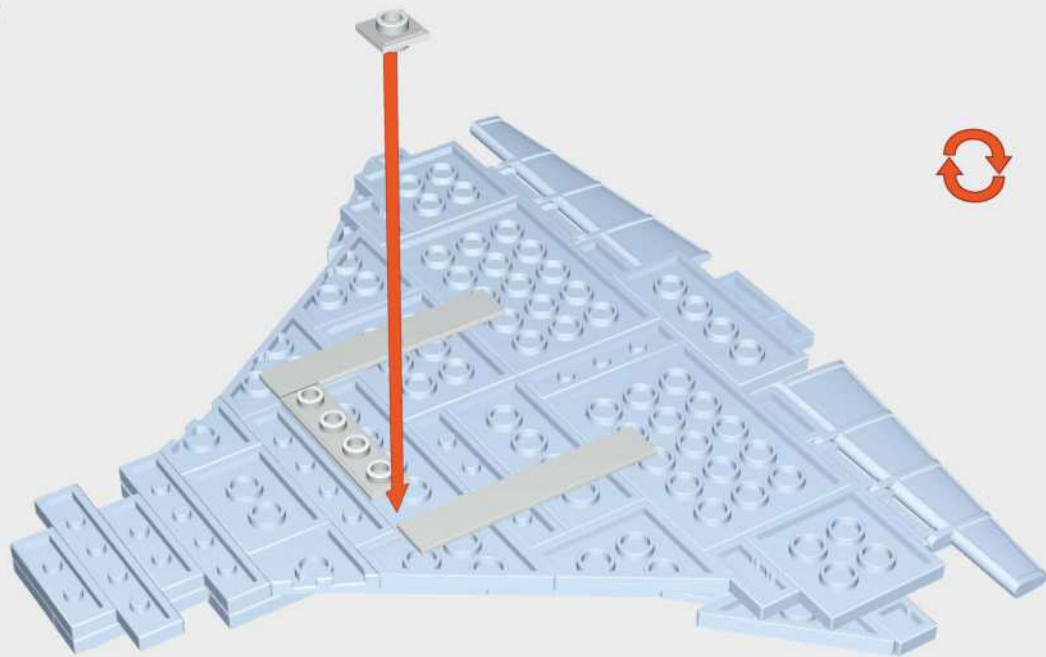
x1



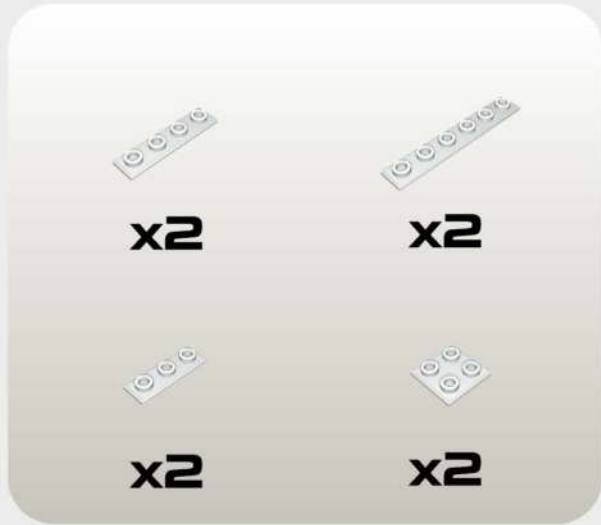
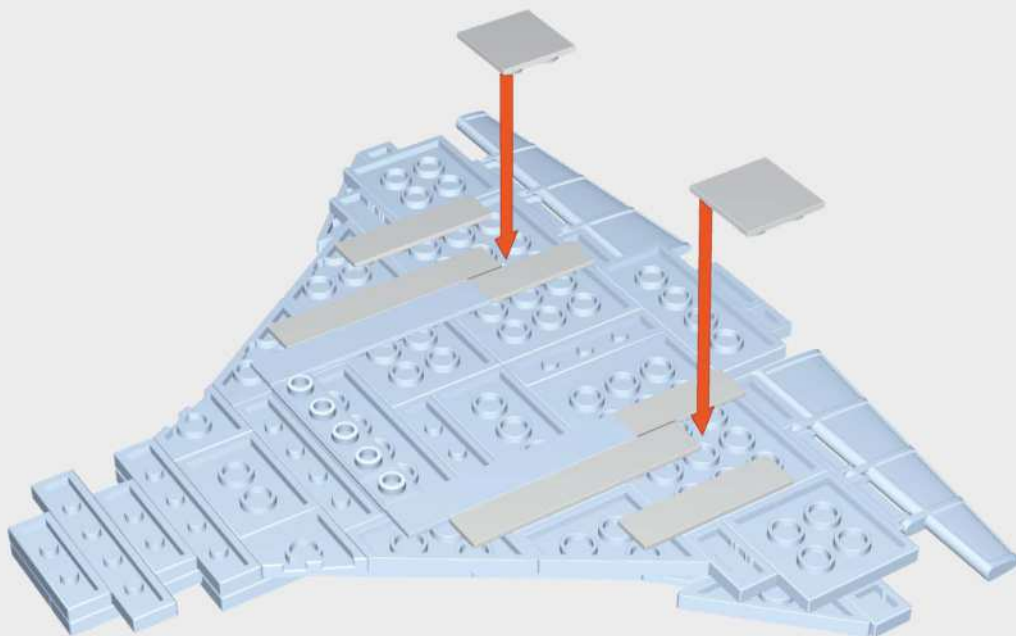
11



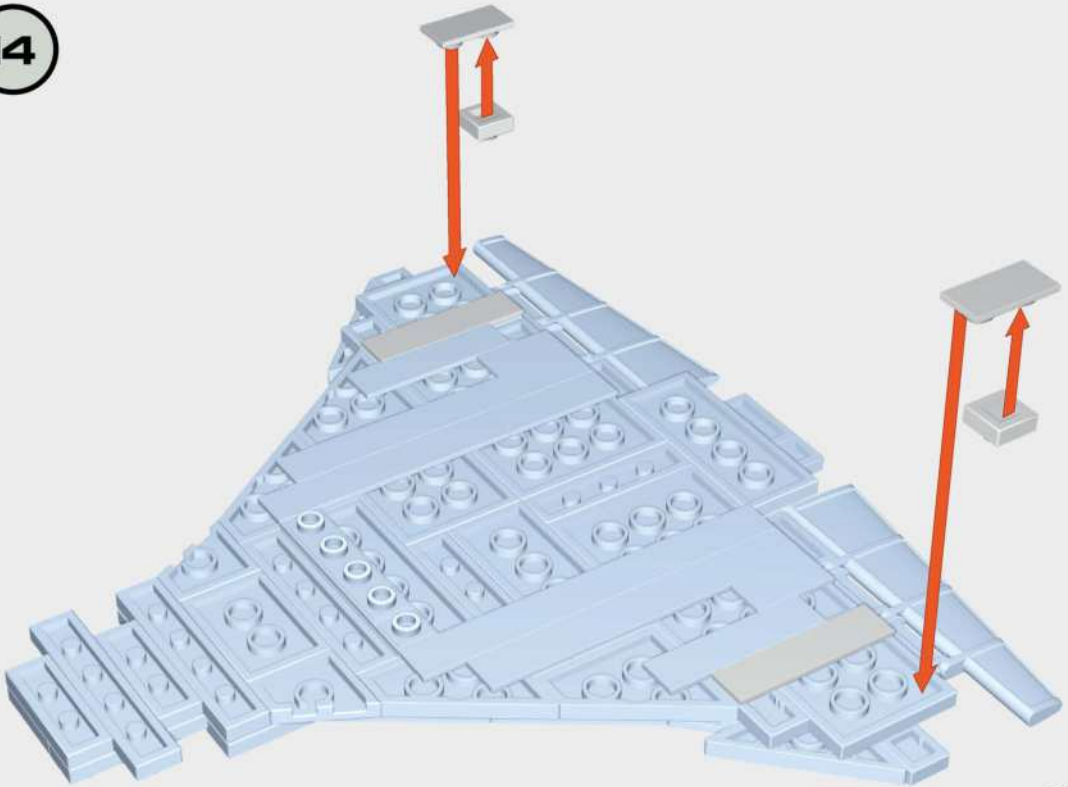
12



13



14



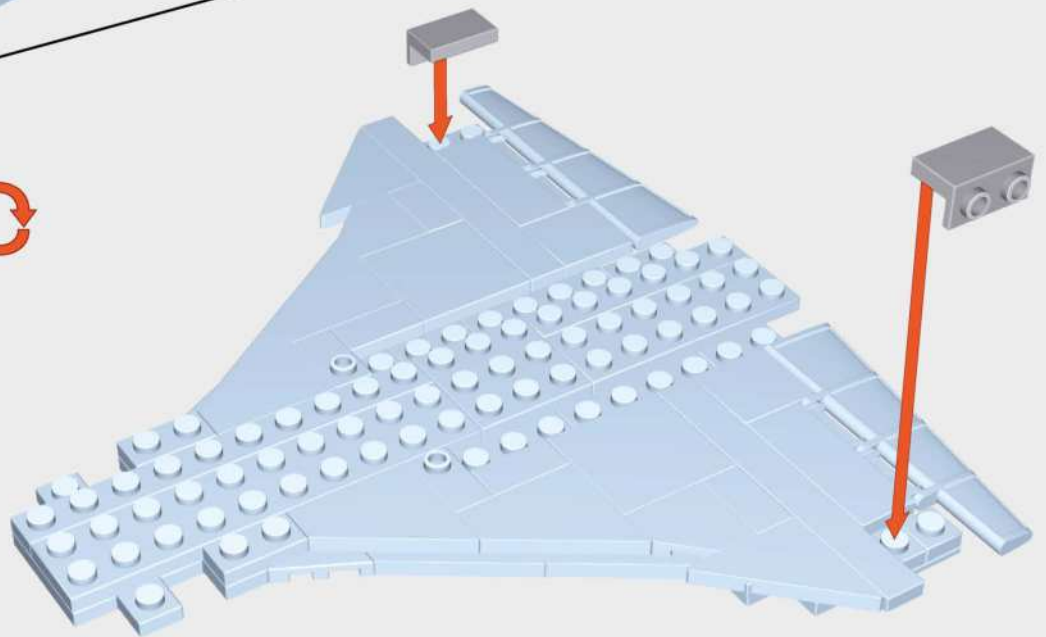
Parts list for step 14:

-  x2
-  x2
-  x2

15

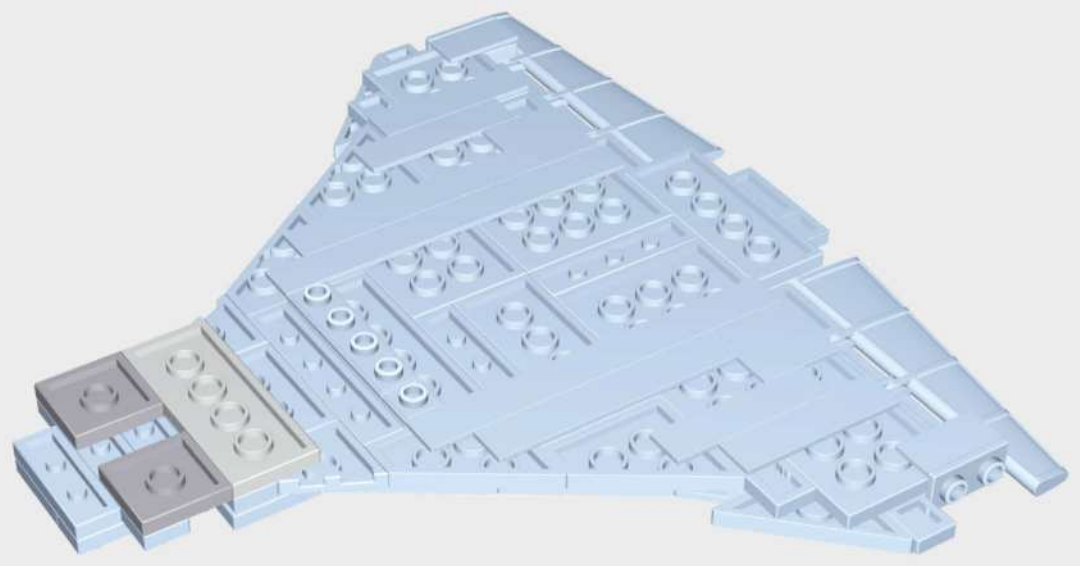
Parts list for step 15:

-  x2

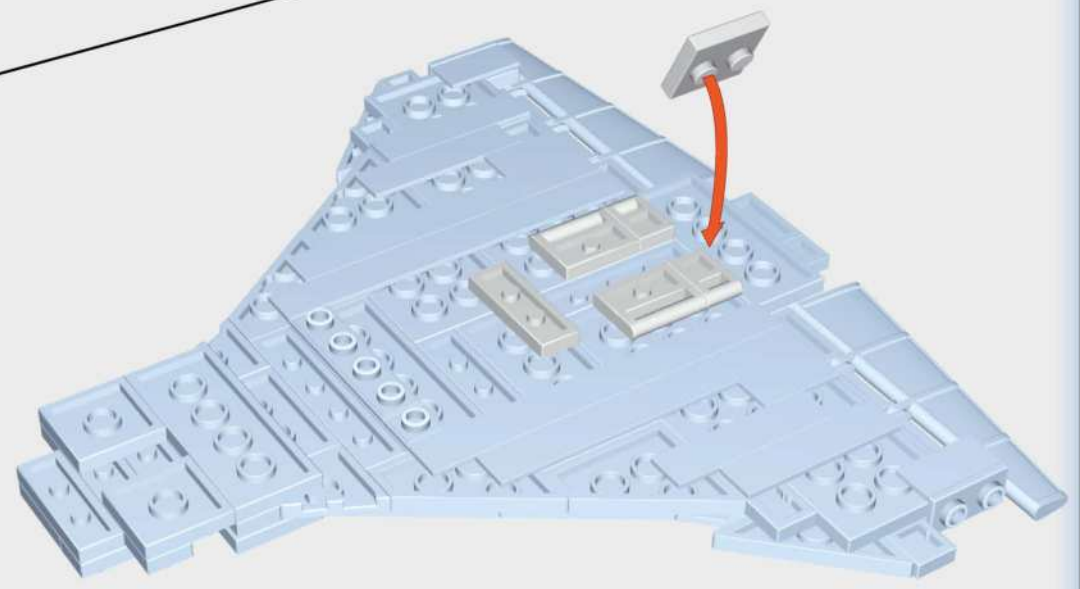




16



17










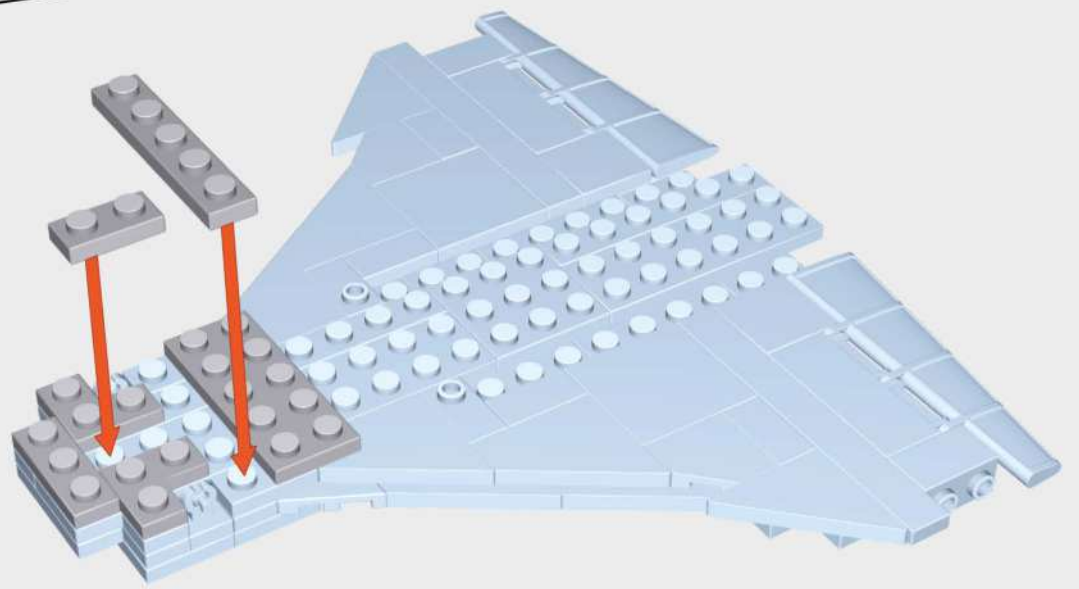
18



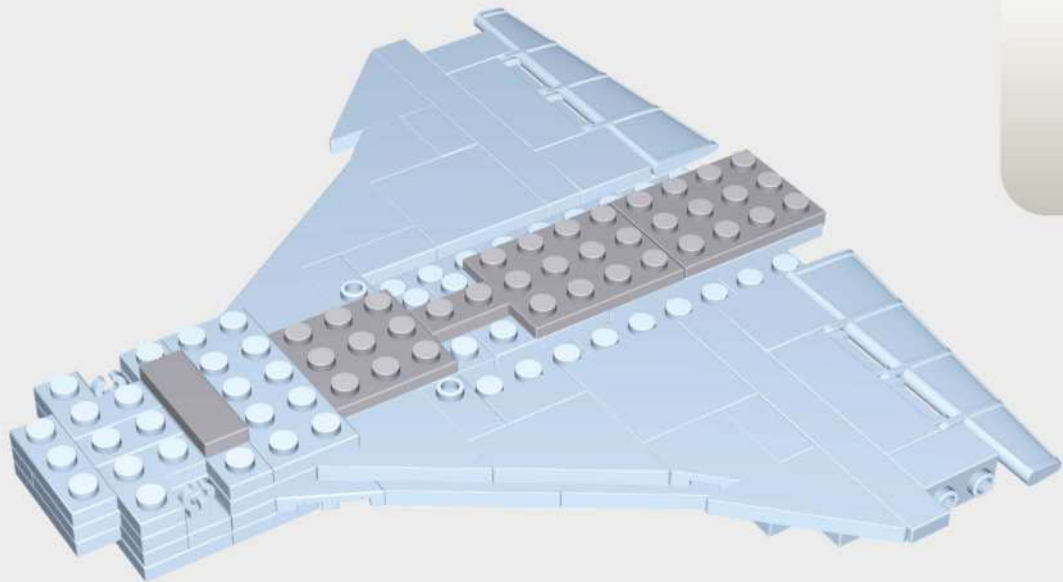
	
<b>x2</b>	<b>x2</b>

19

		
<b>x1</b>	<b>x1</b>	
		
<b>x2</b>	<b>x1</b>	<b>x1</b>



20



1:1



x1



x1



x1



x2

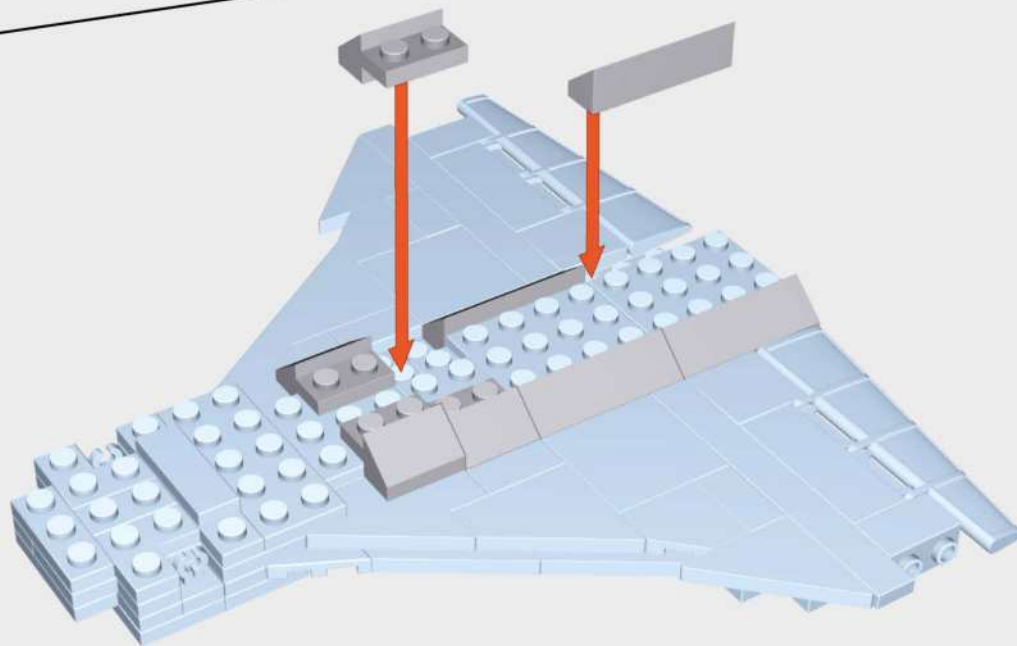
21



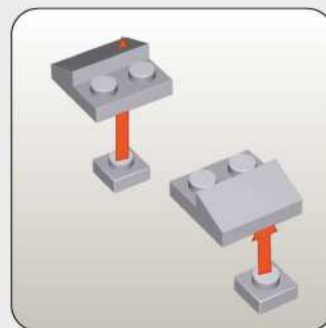
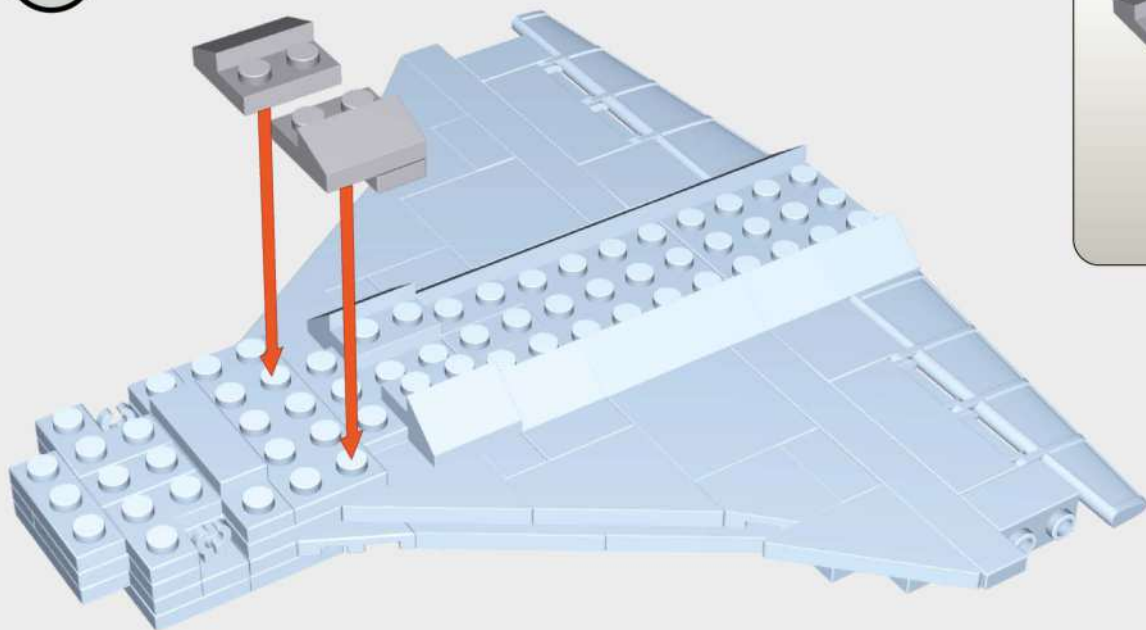
x4



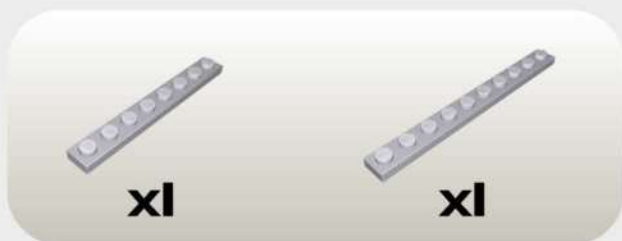
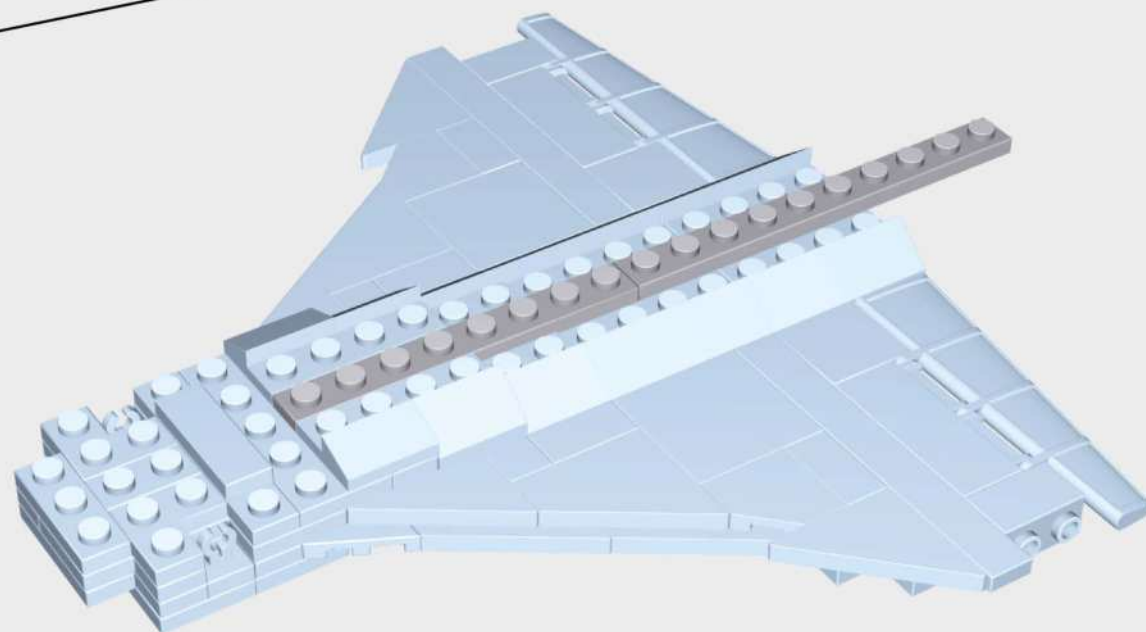
x4



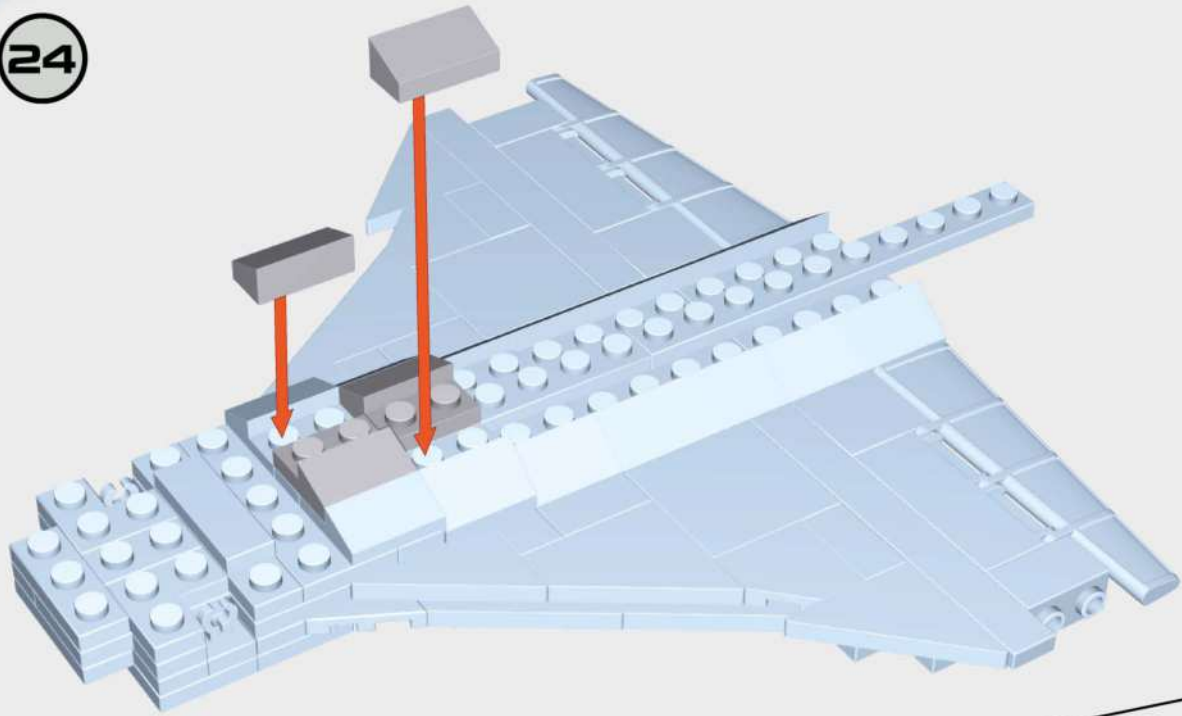
22





23



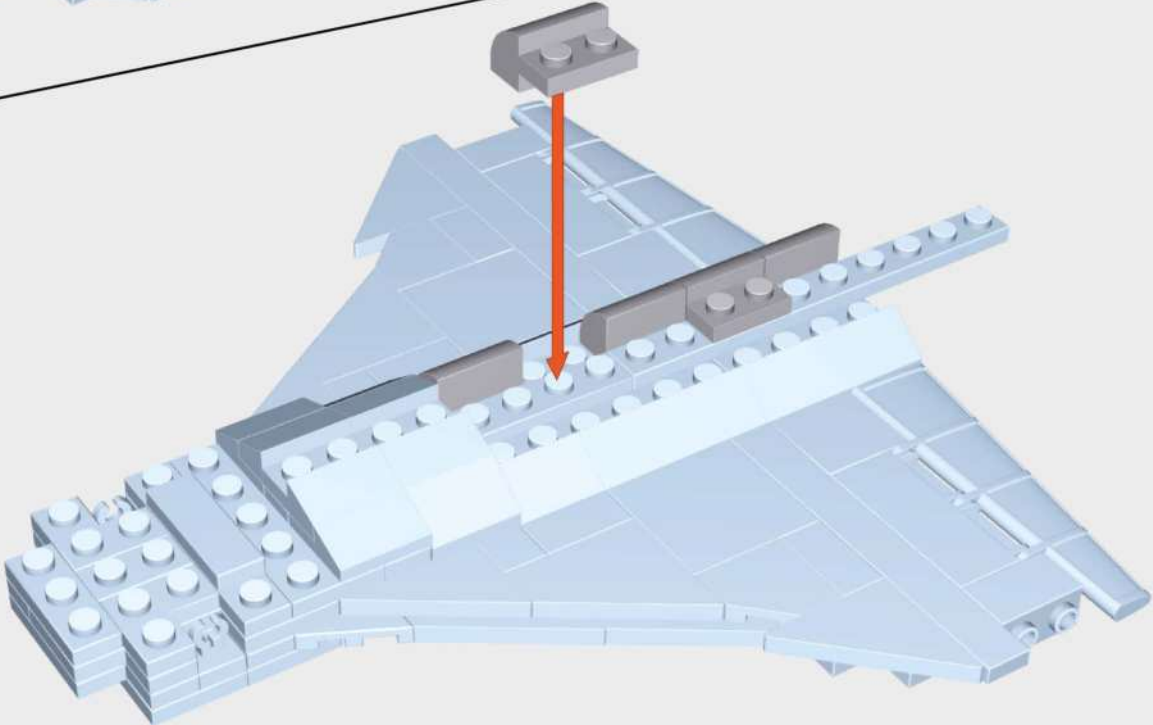
24





LEGO parts list for step 24:

-  x2
-  x2

25

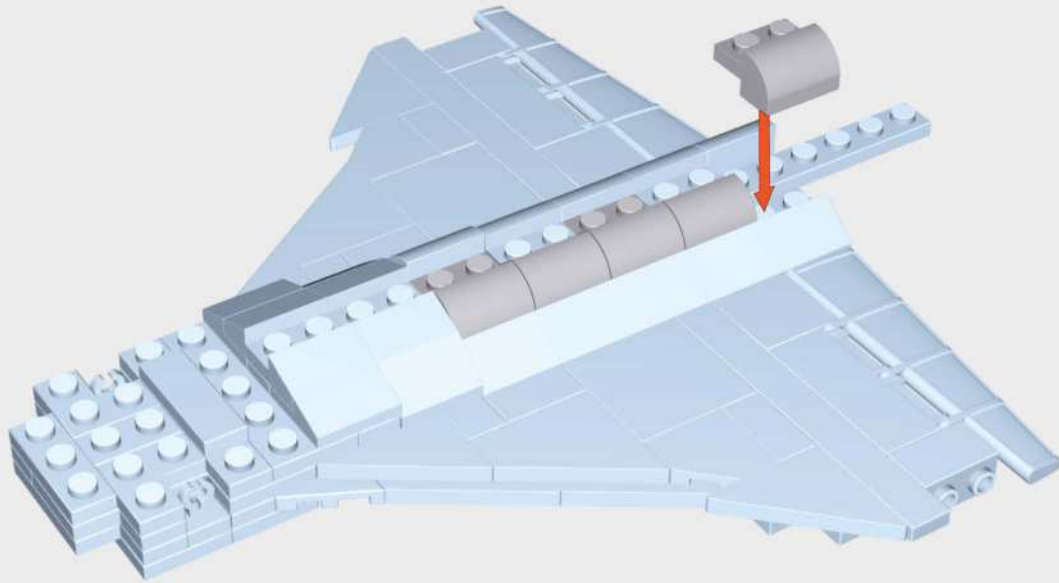




LEGO parts list for step 25:

-  x2
-  x3

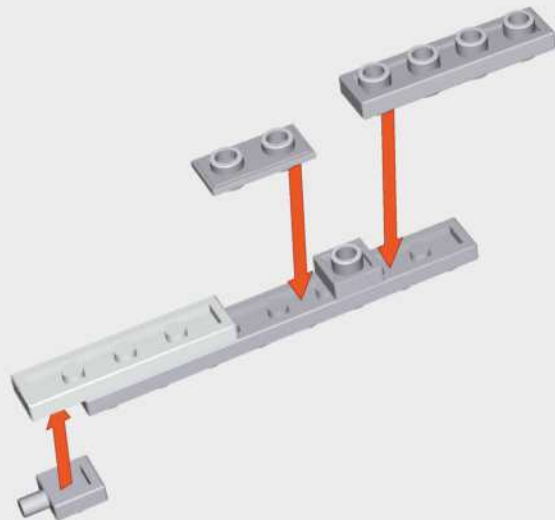








26



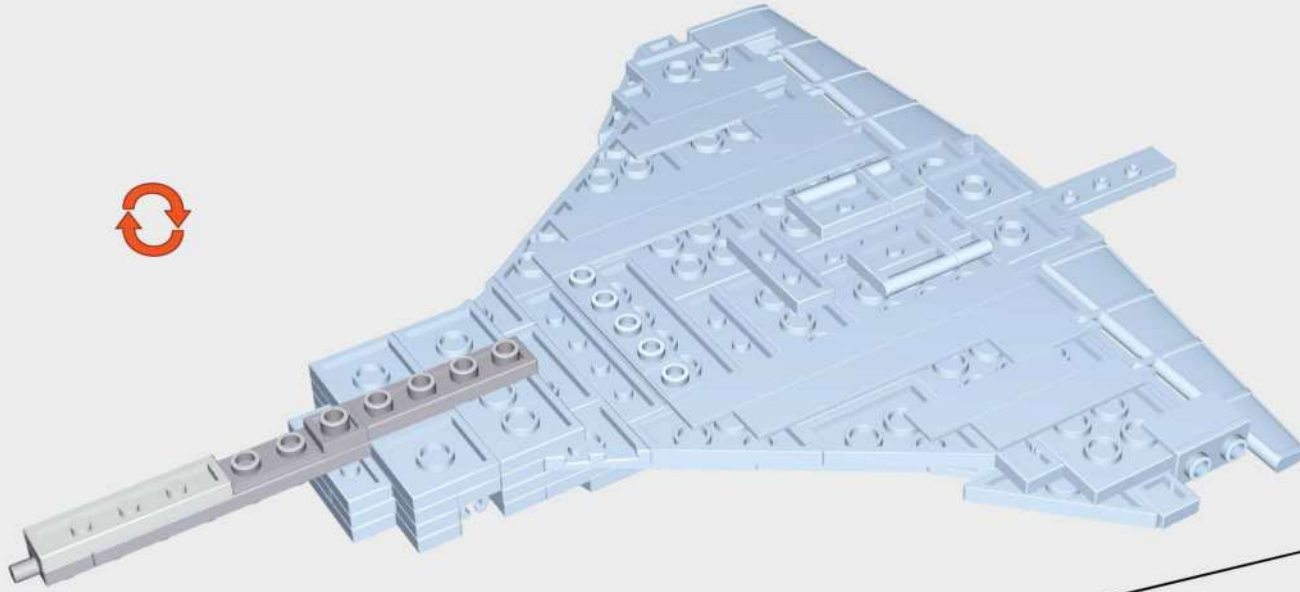
	
<b>x2</b>	<b>x3</b>

27

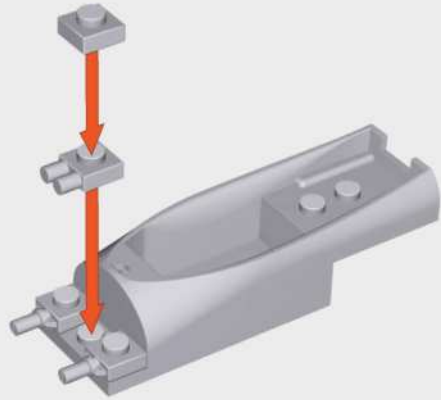


	
<b>x1</b>	<b>x1</b>
	
<b>x1</b>	<b>x1</b>
	
<b>x1</b>	<b>x1</b>

28

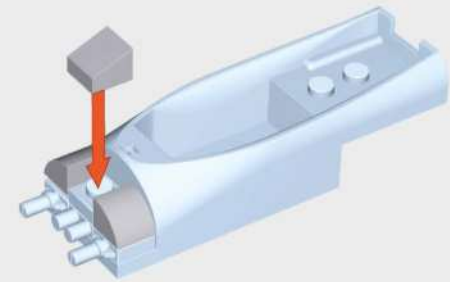


29



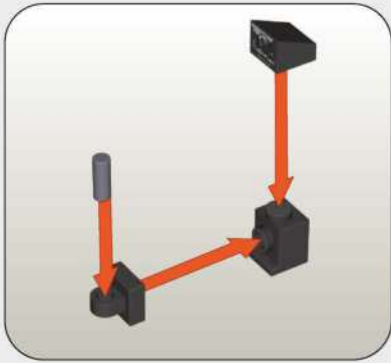
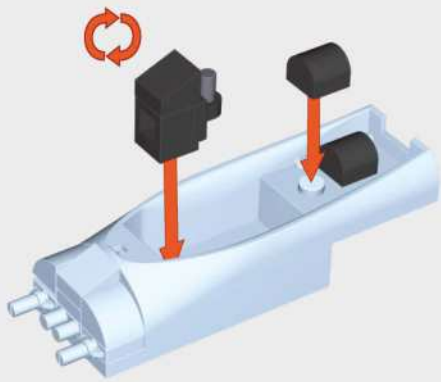
-  **x1**
-  **x2**
-  **x1**
-  **x1**






30



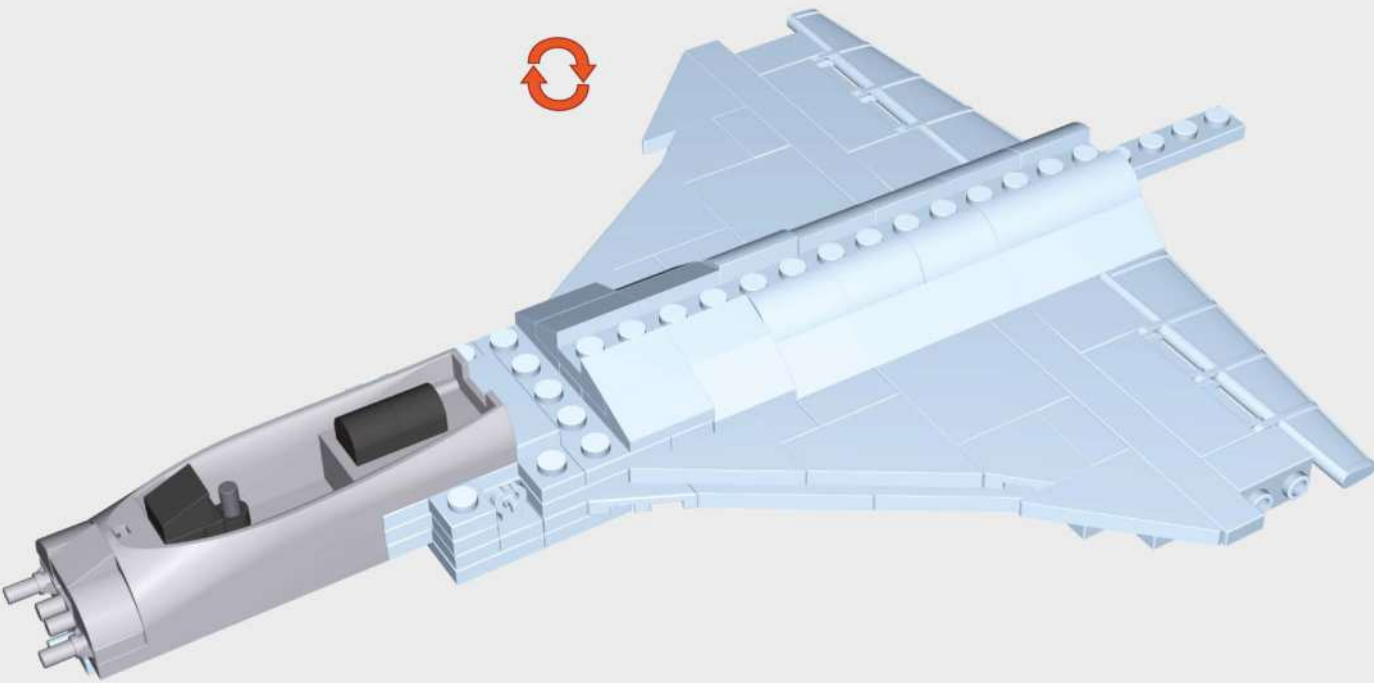
-  **x2**
-  **x1**

31

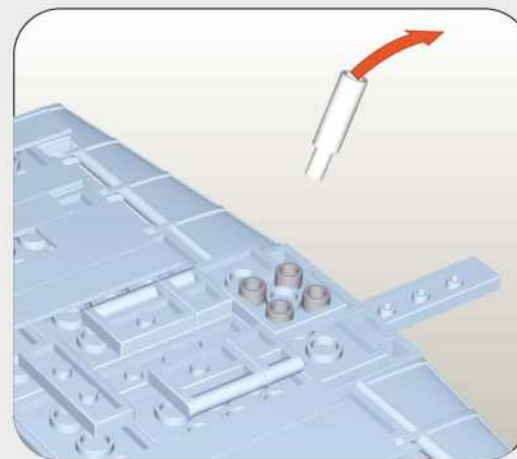
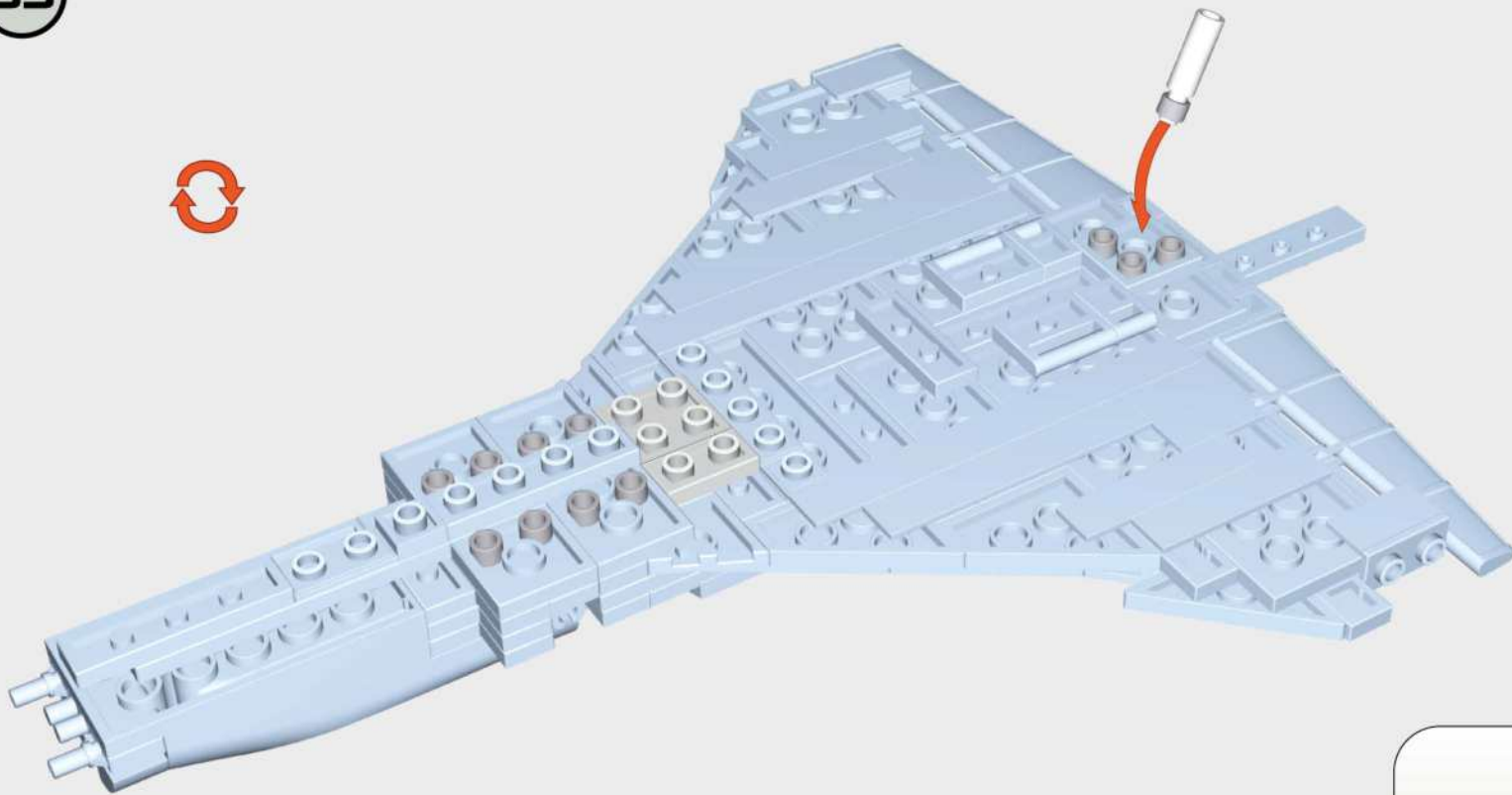


-  **x1**
-  **x1**
-  **x1**
-  **x1**
-  **x2**

32



33



x12



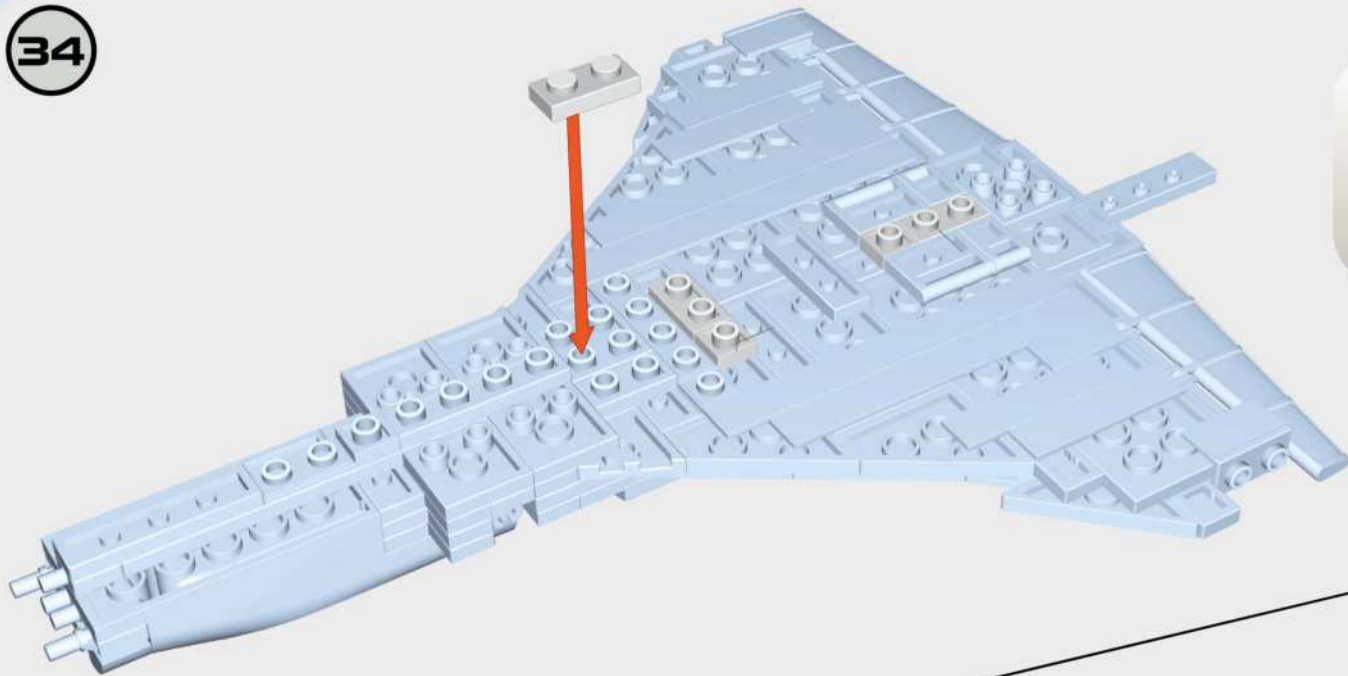
x1



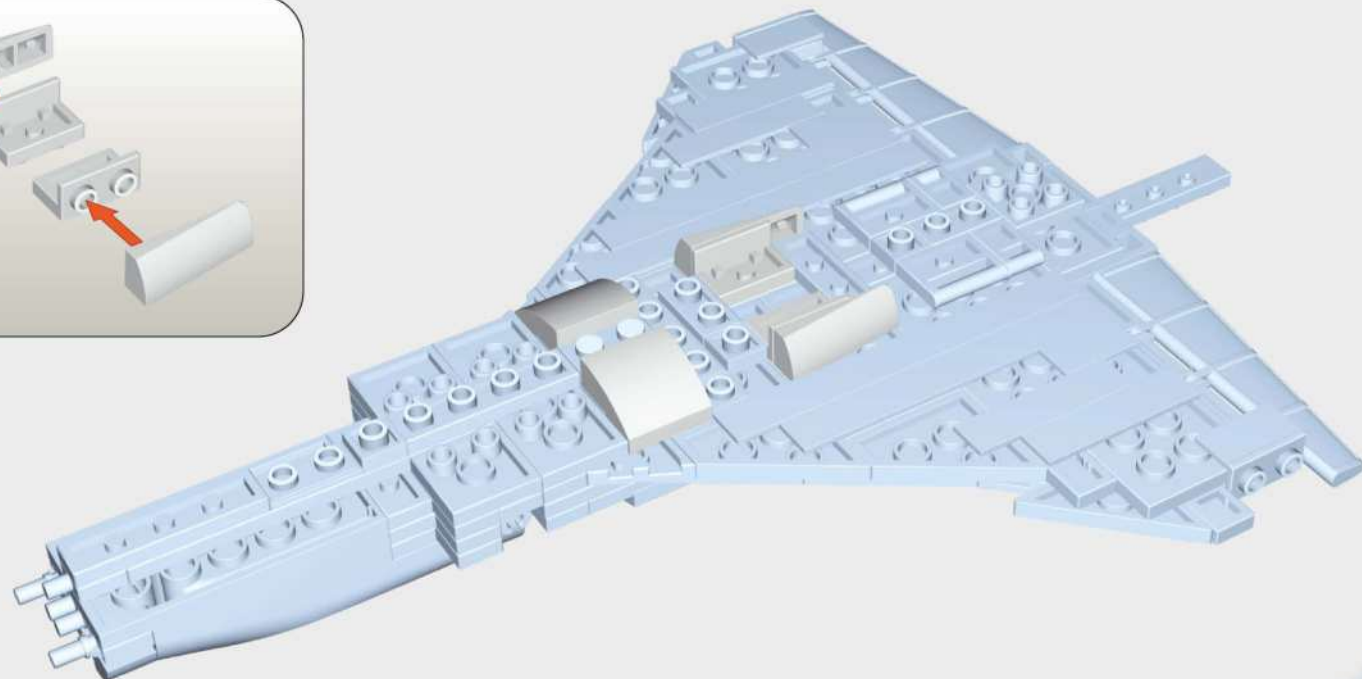
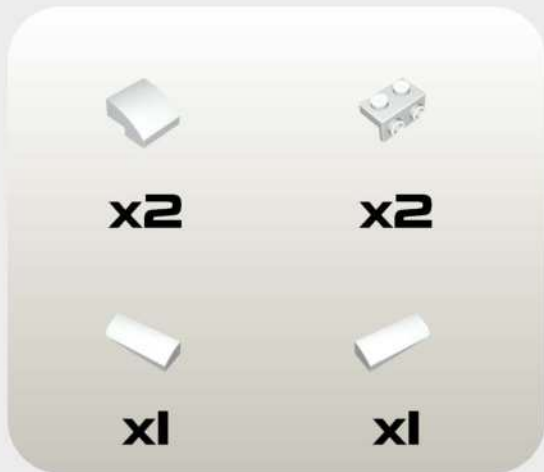
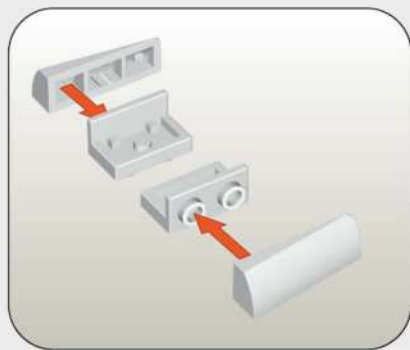
x1



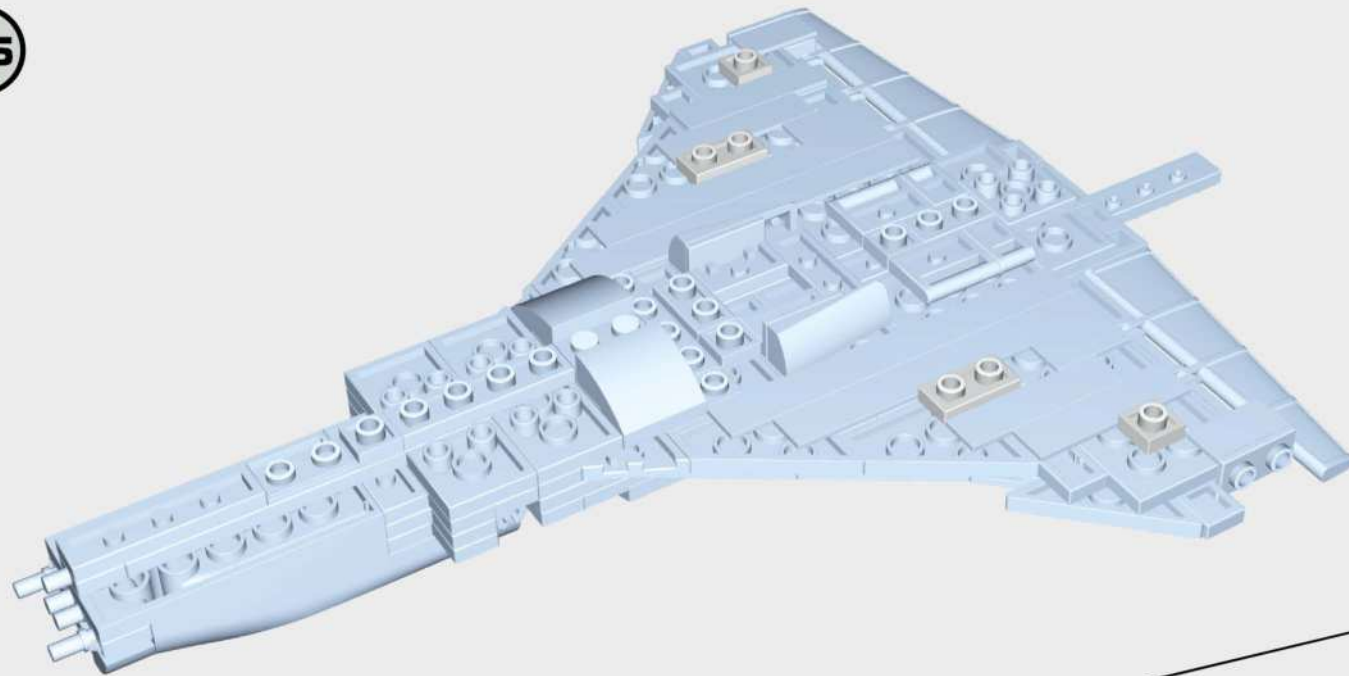
34



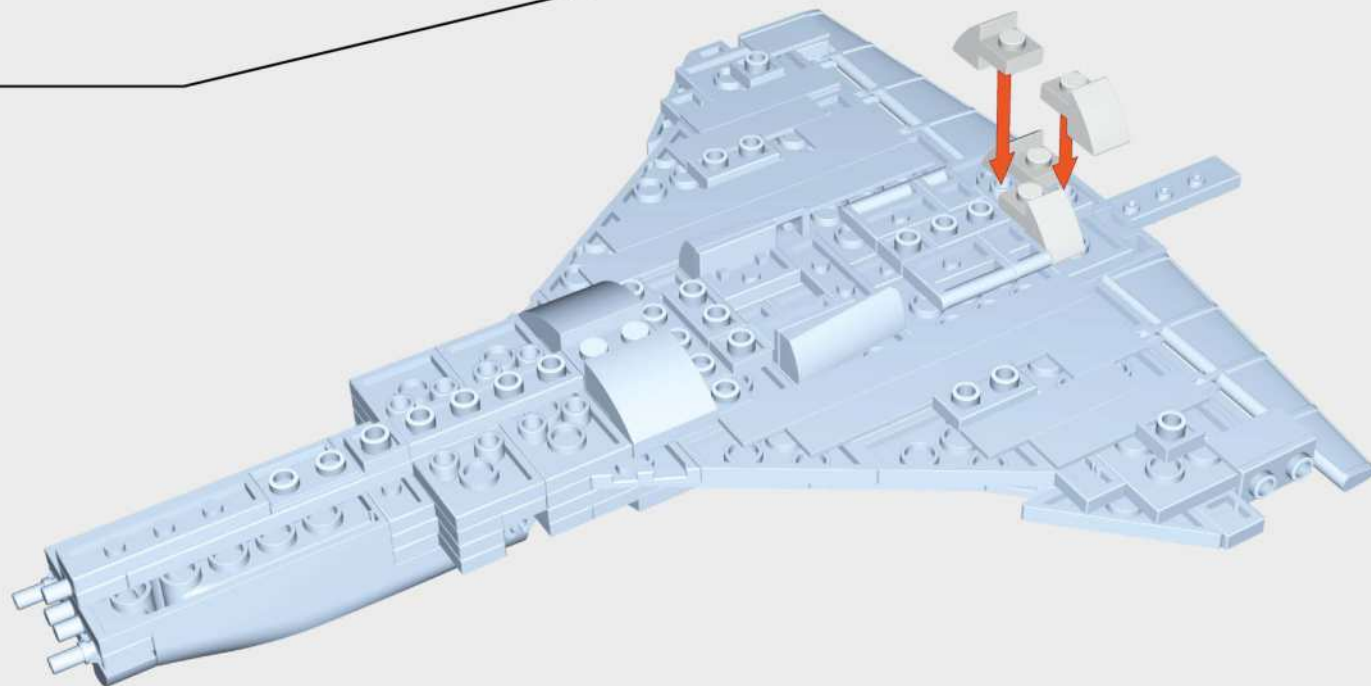
35



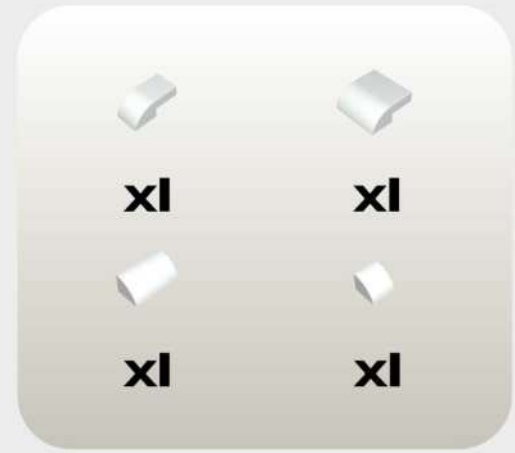
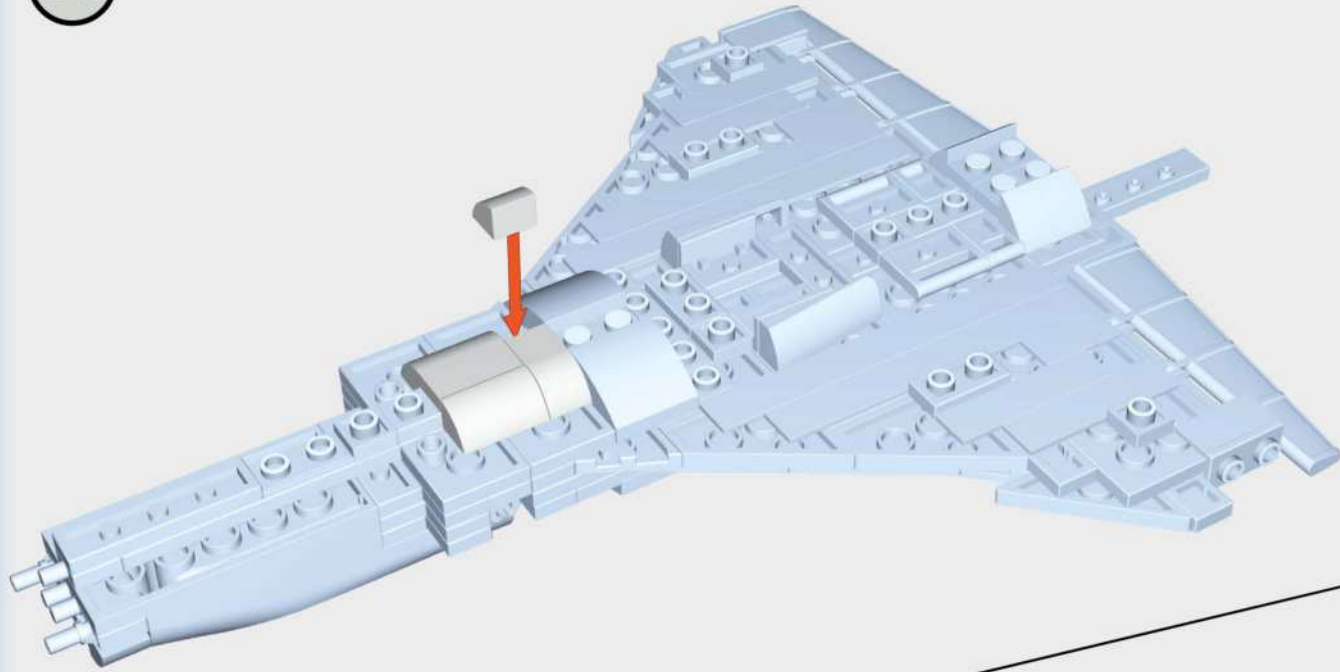
36



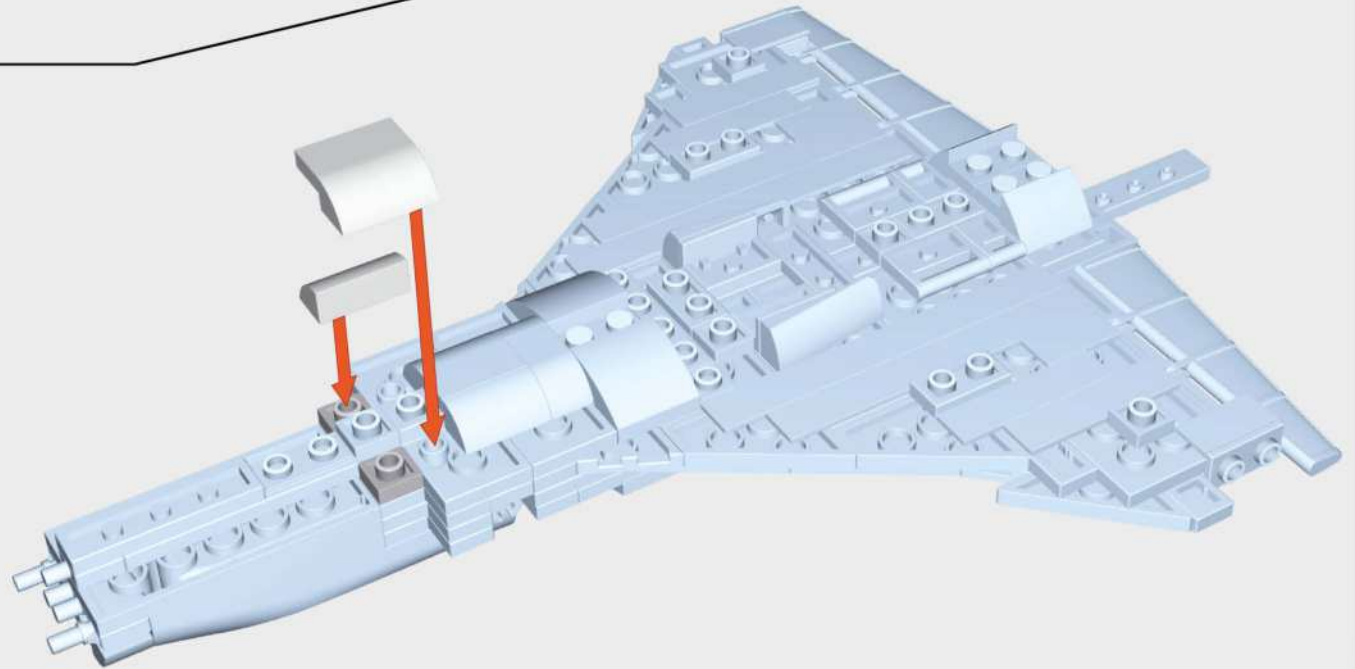
37



38

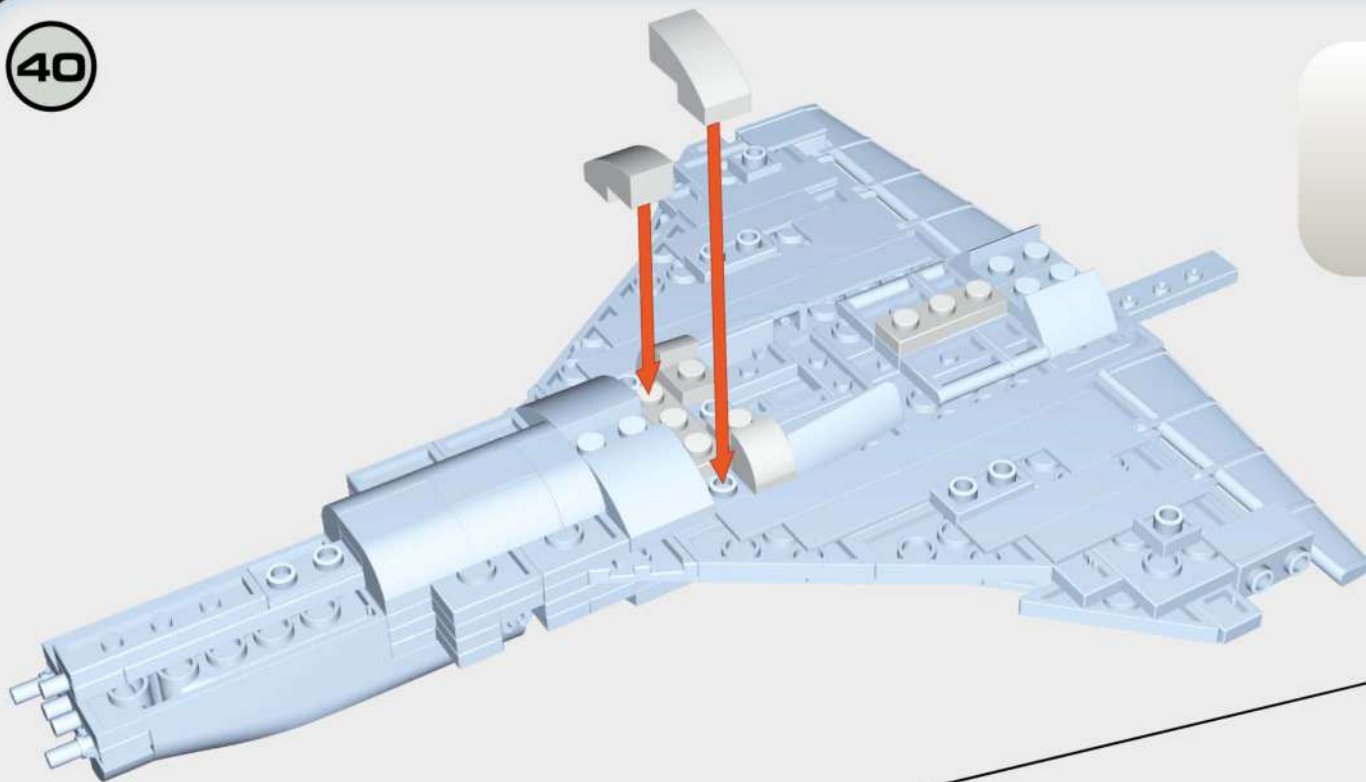


39





40



x2

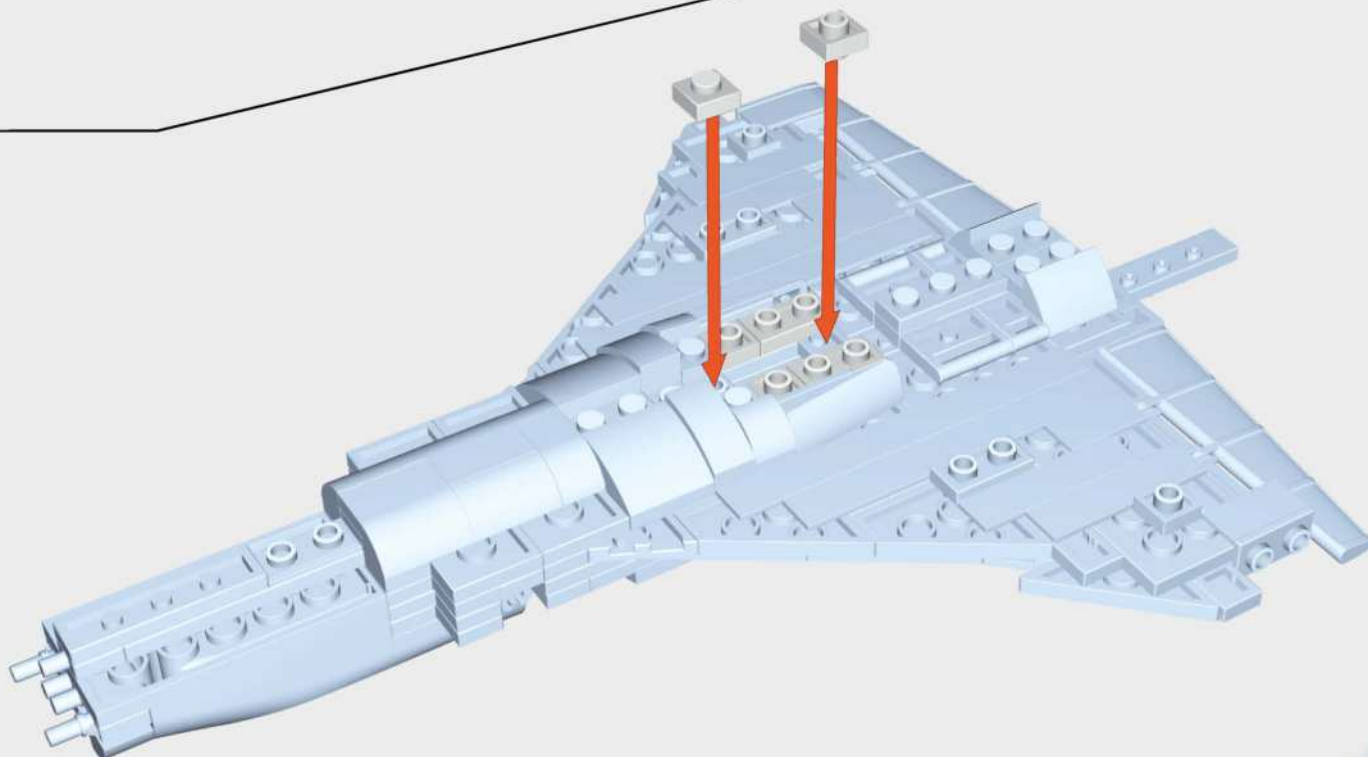


x2



x2

41



x2



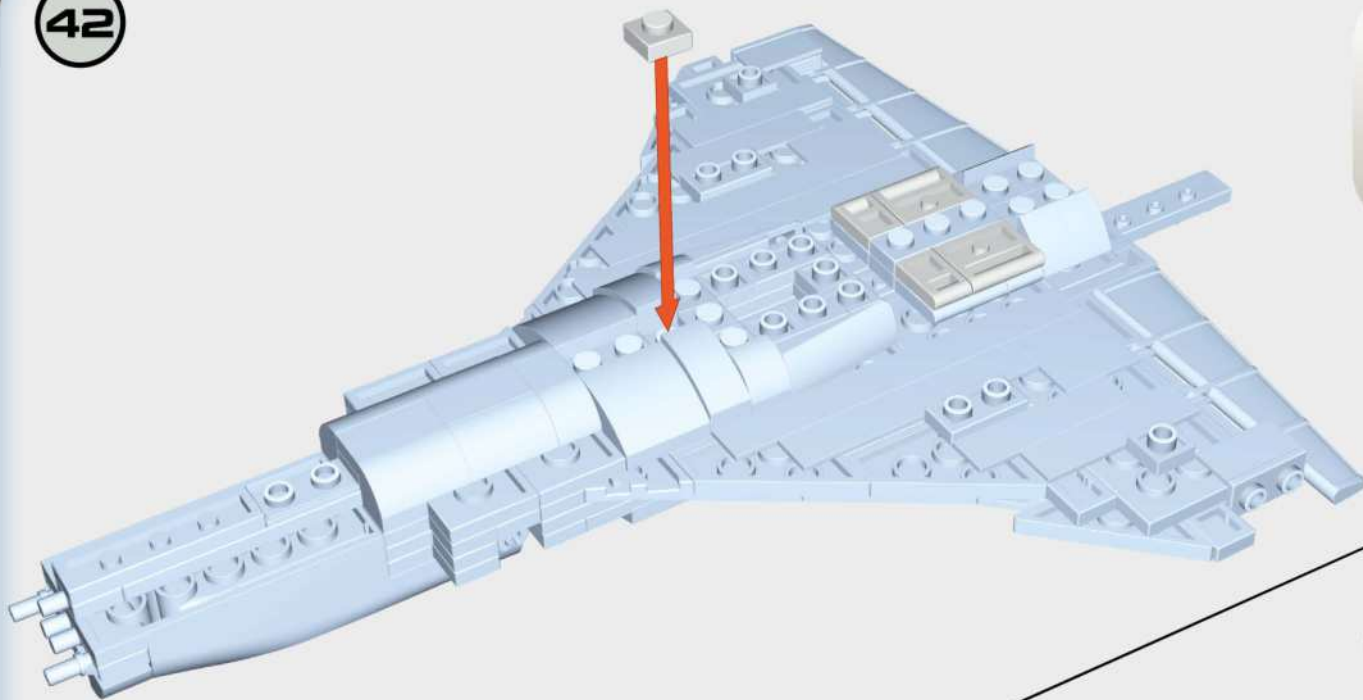
x3



x1



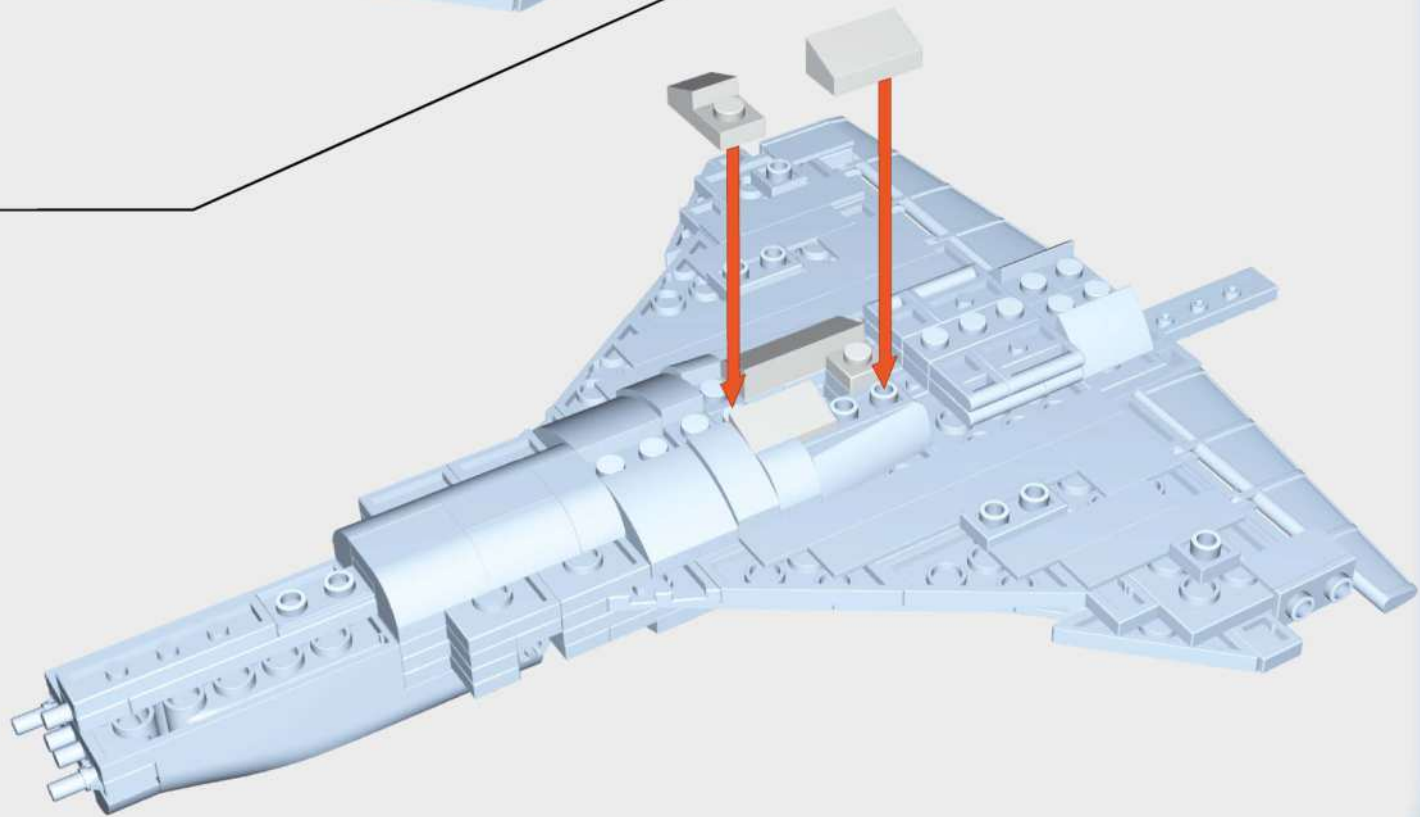
42



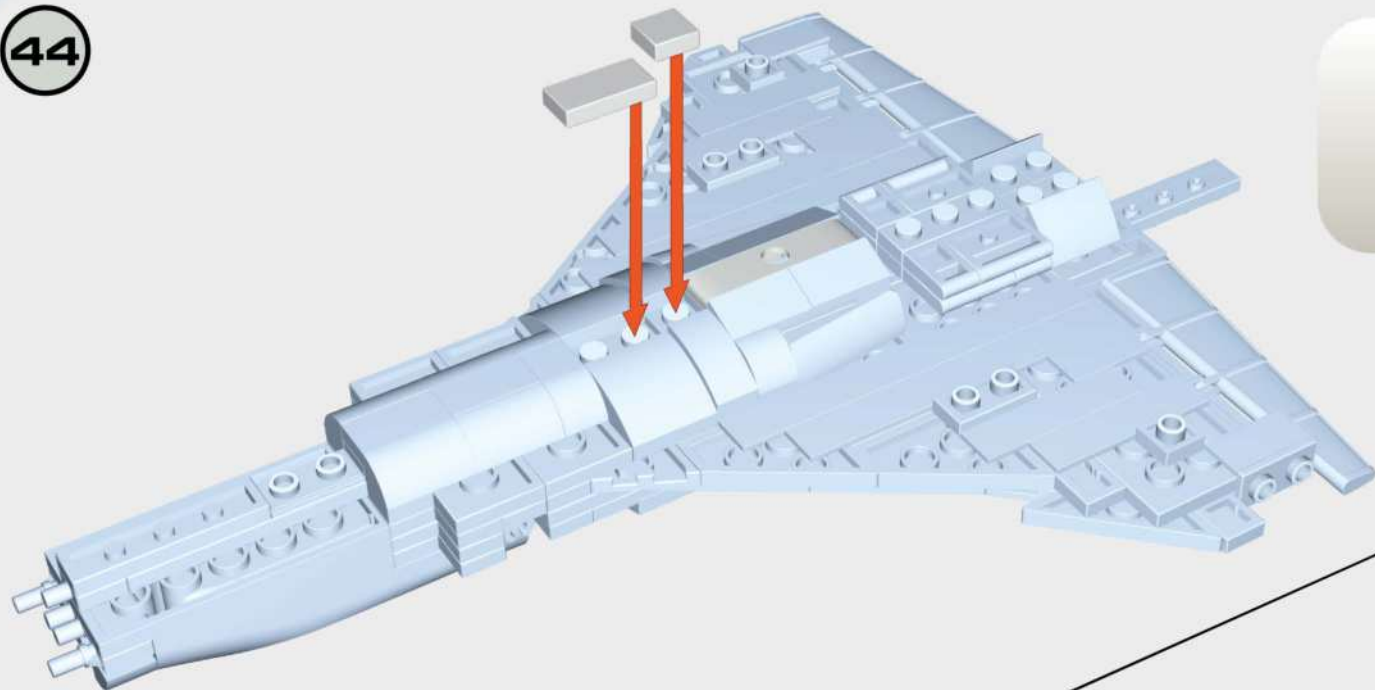
		
<b>x2</b>	<b>x2</b>	<b>x1</b>

43

	
<b>x1</b>	<b>x1</b>
	
<b>x2</b>	<b>x1</b>



44



1:1



x1

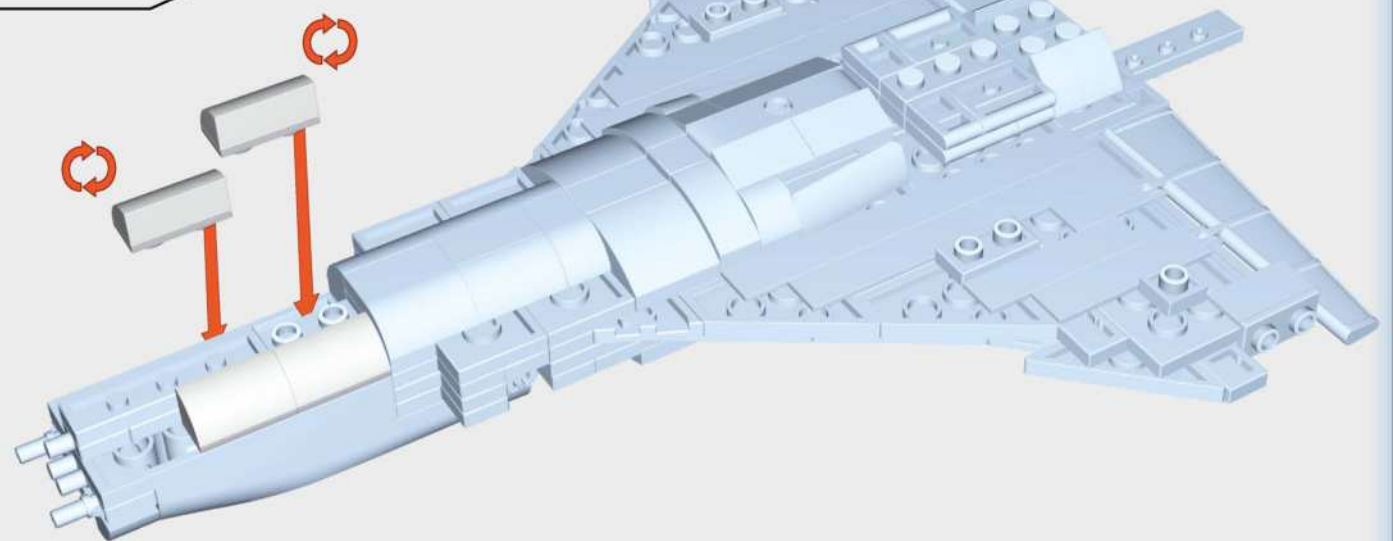
x1

x1

45



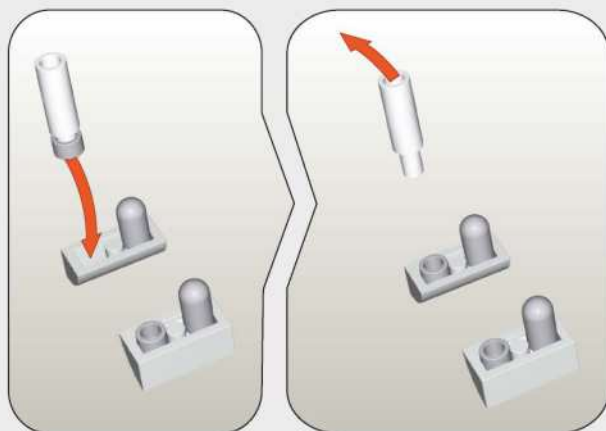
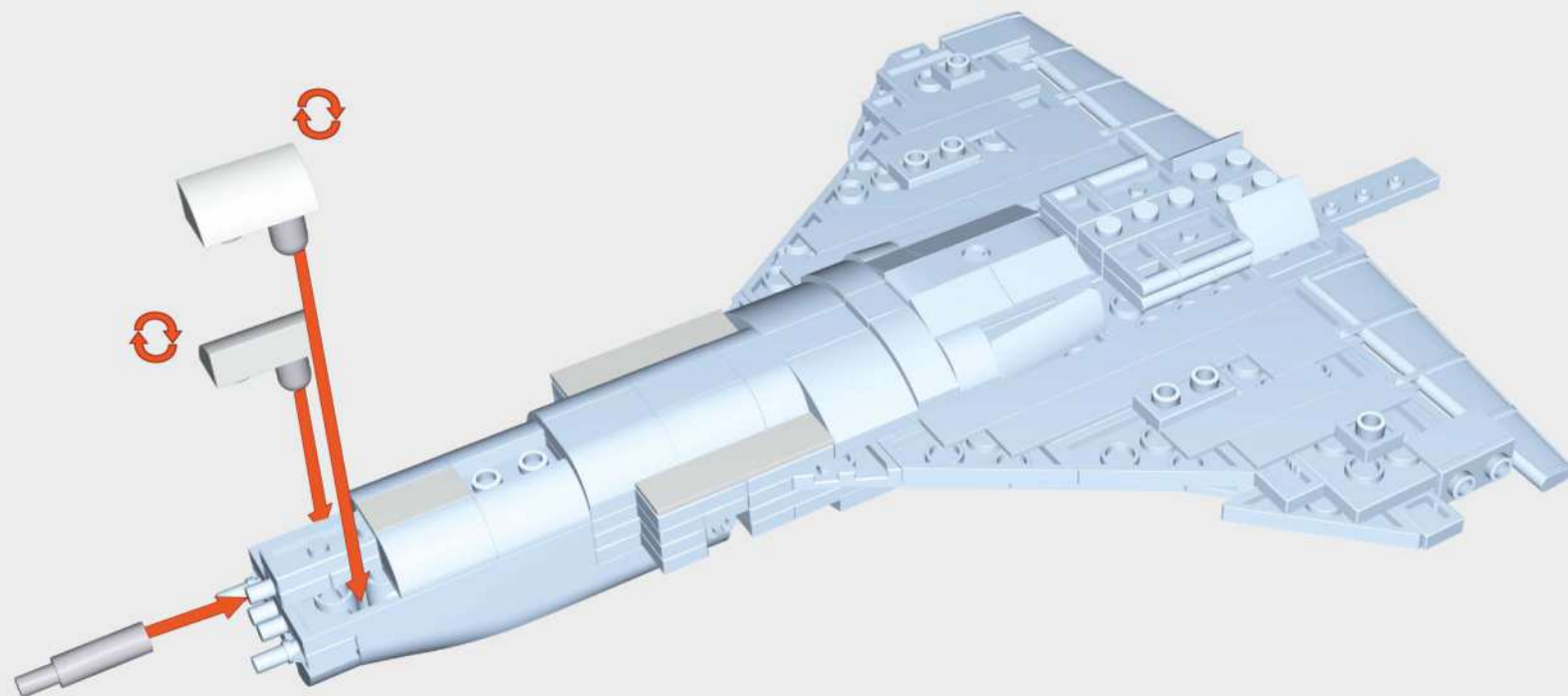
x4



x4

x4

46



-  x1
-  x2
-  x2
-  x2
-  x2
-  x1

47



x1

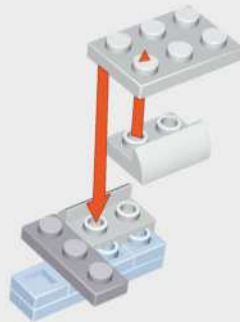


x1



x2

48



x1

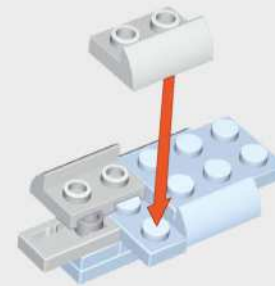


x2



x1

49



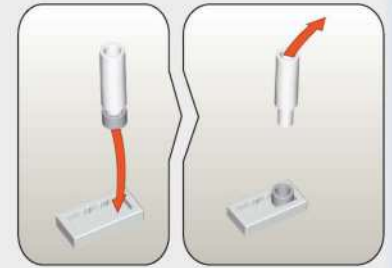
x1



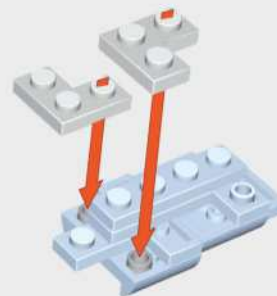
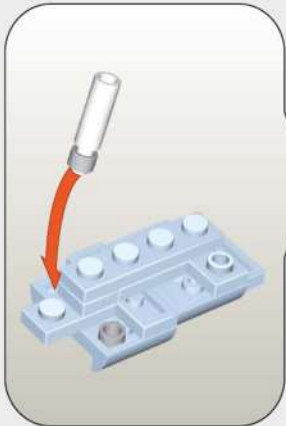
x1



x2



50



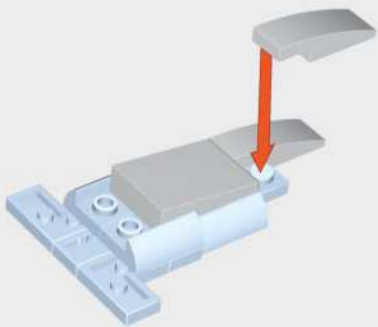
x2



x2



51



x1



x2

52

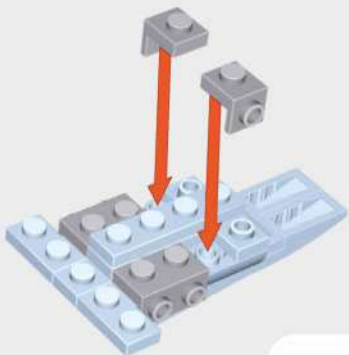


x4



x1

53

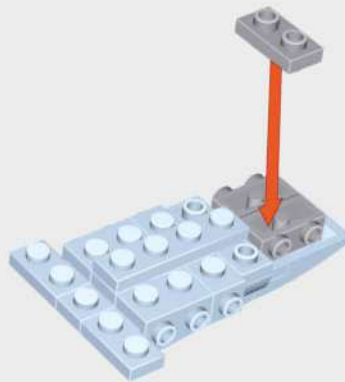


x2



x2

54

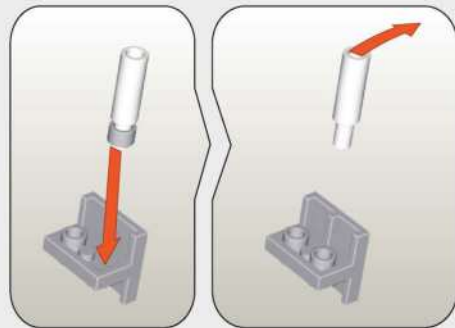
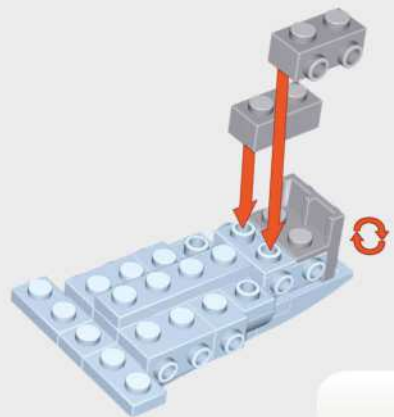


x2

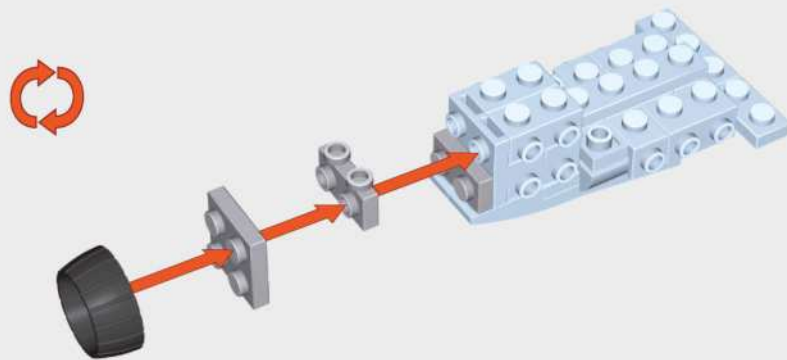


x1

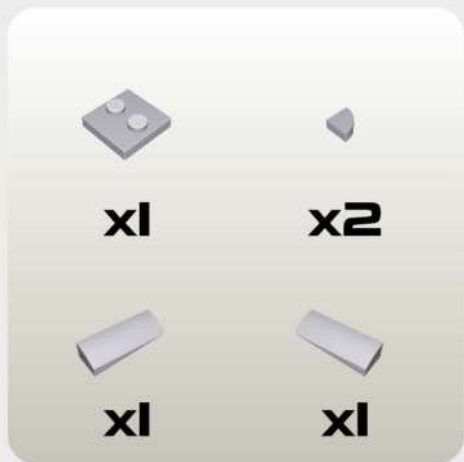
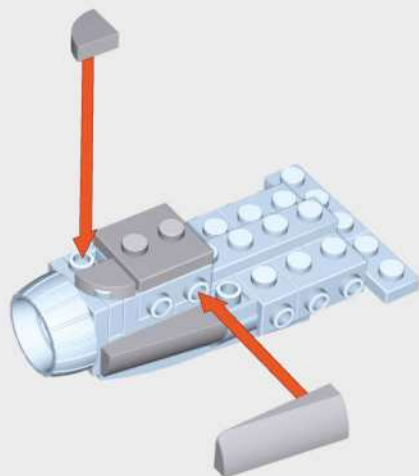
55



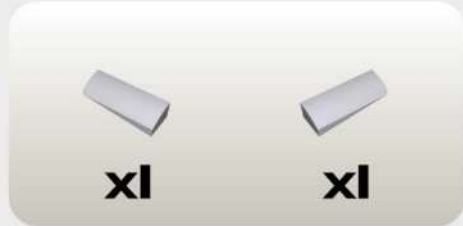
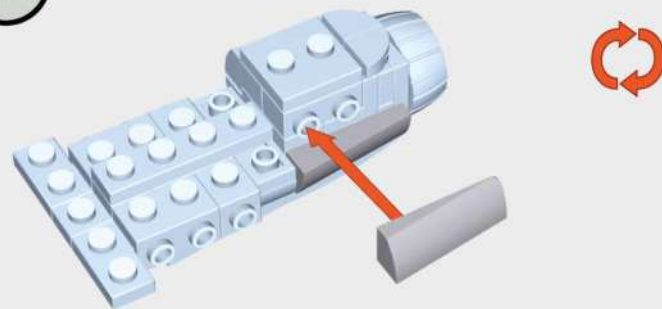
56



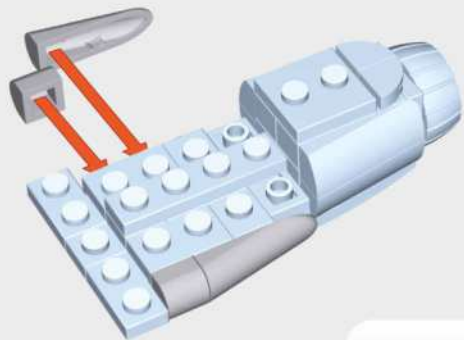
57



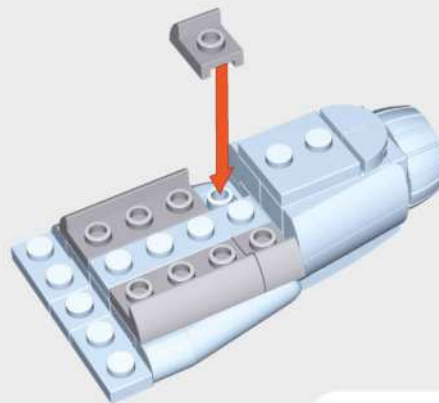
58



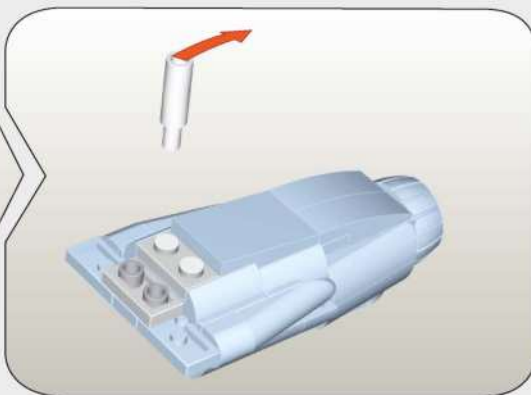
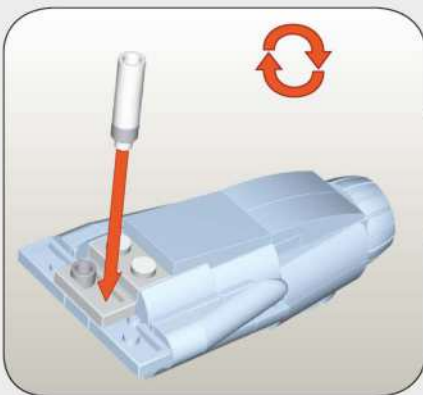
59



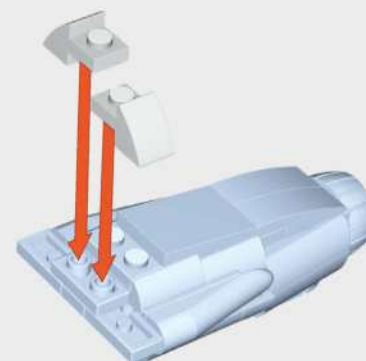
60



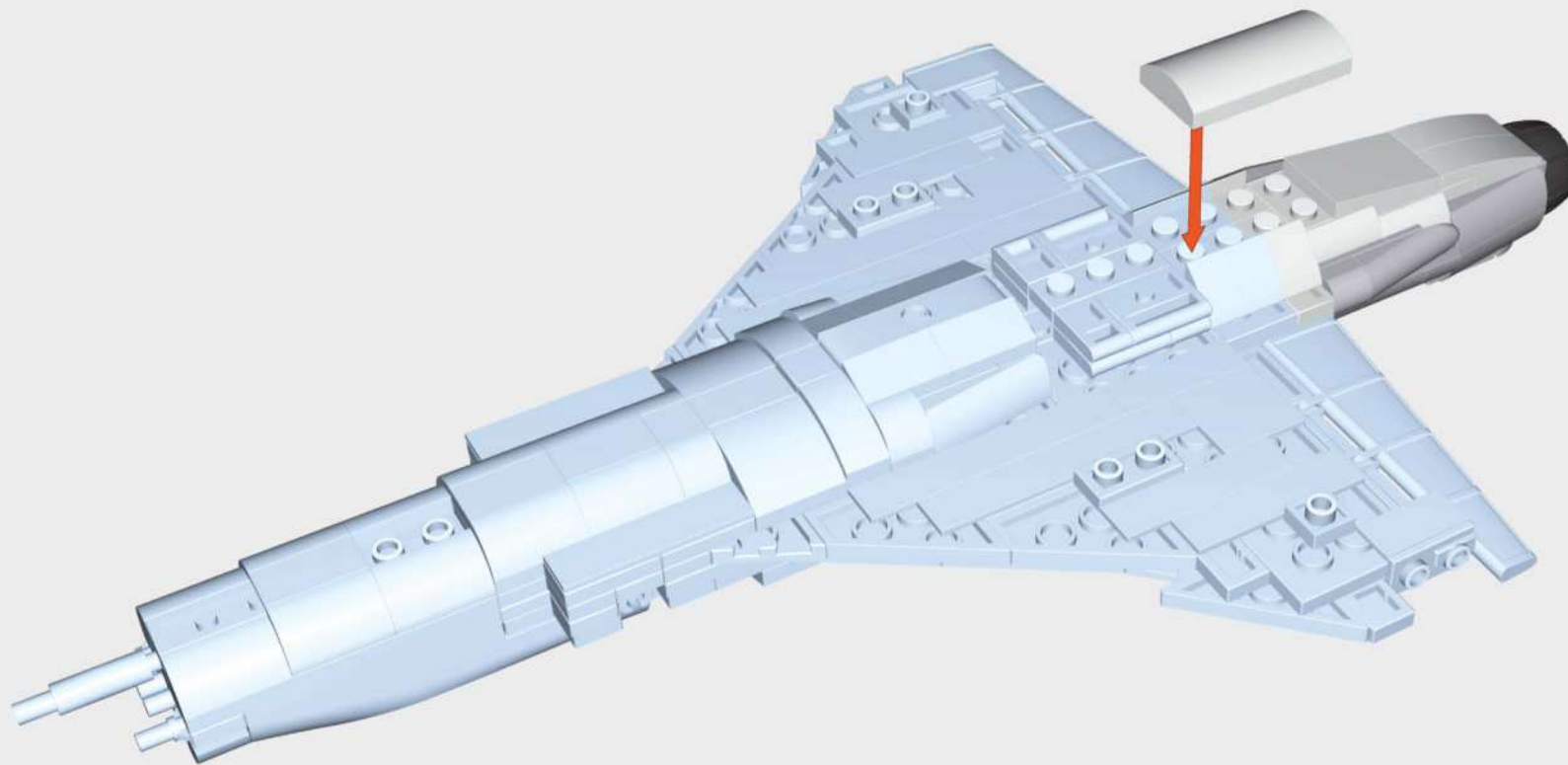
61



62

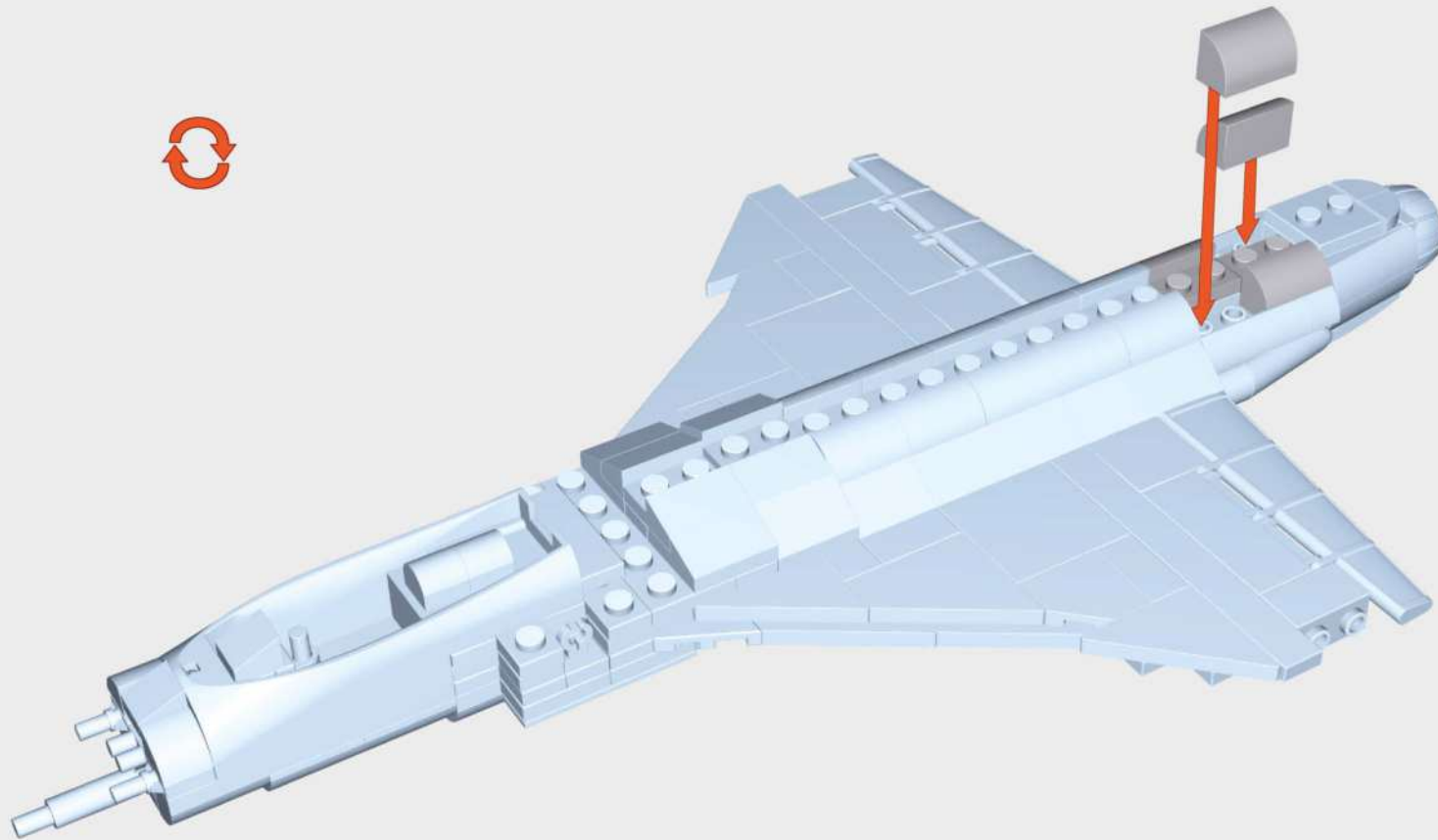


63



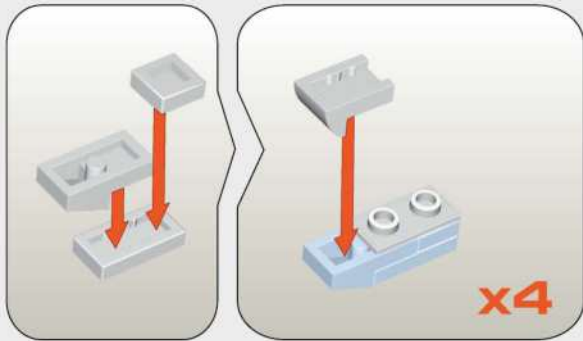
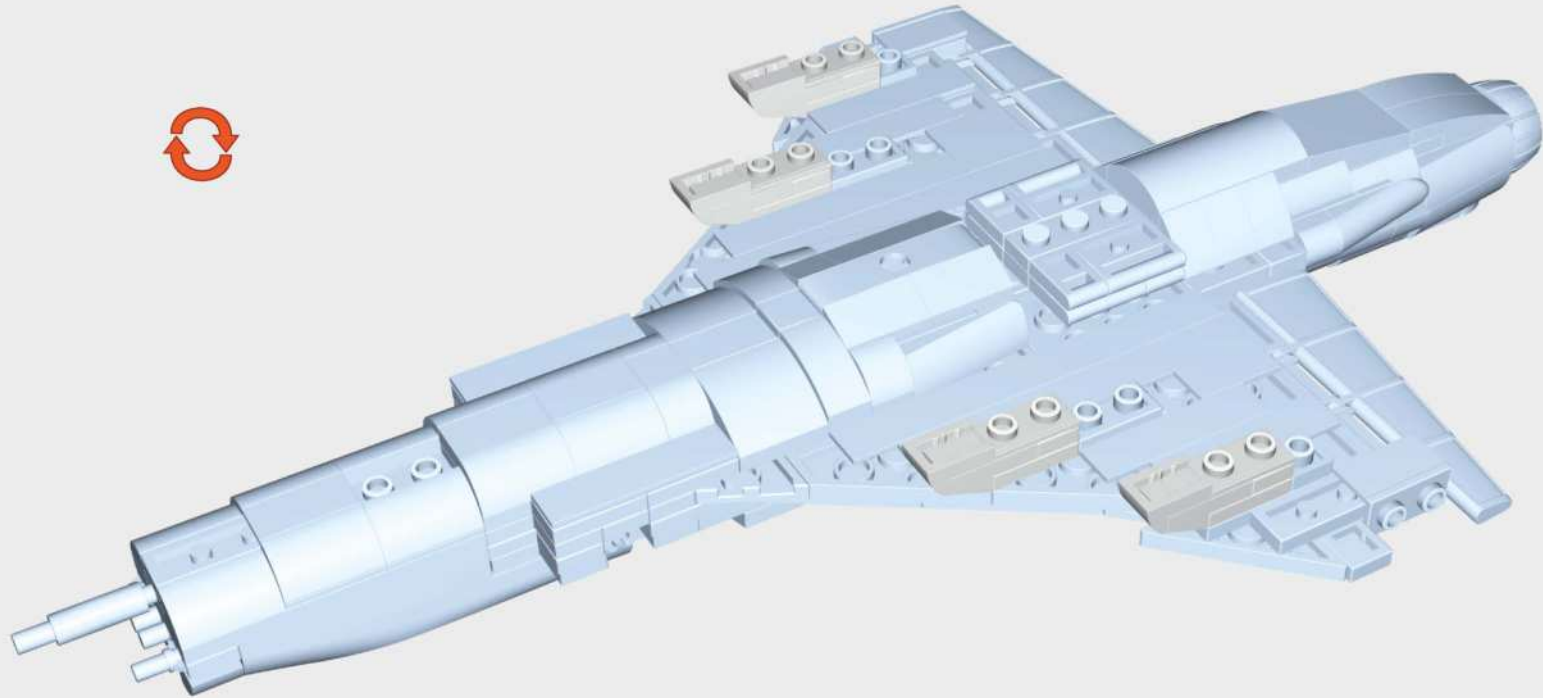
x1





	
<b>x2</b>	<b>x2</b>

65



x4



x4



x4

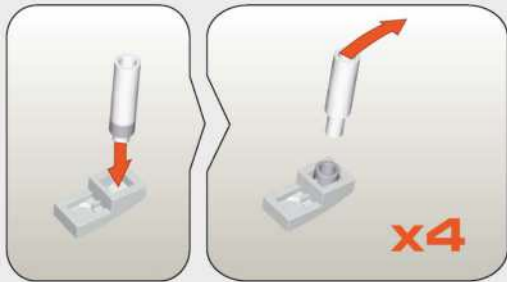
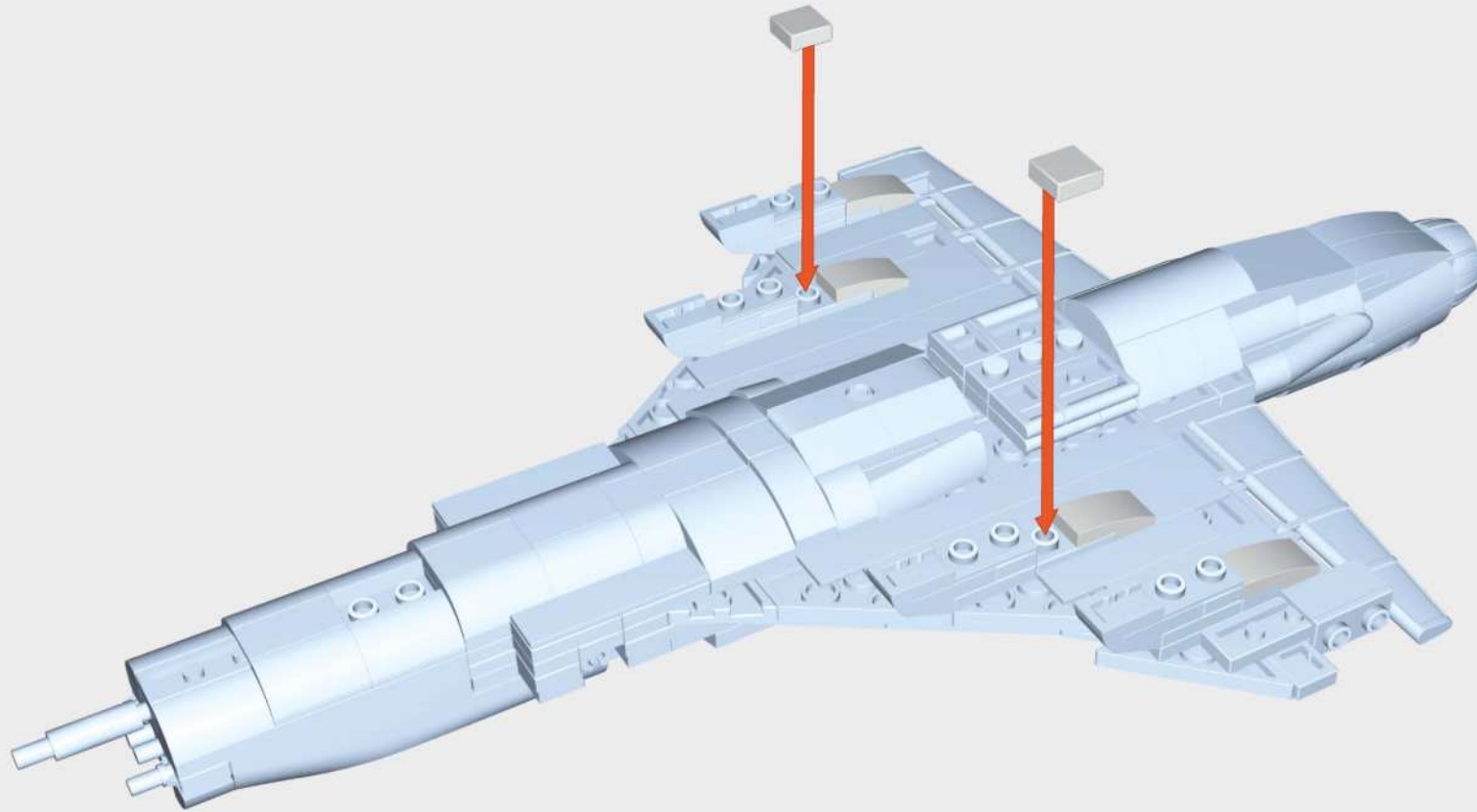


x4

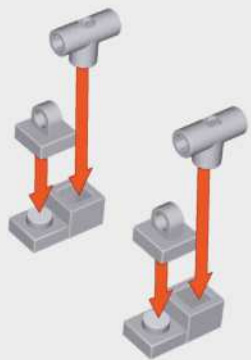


x4

66



67



x2



x2

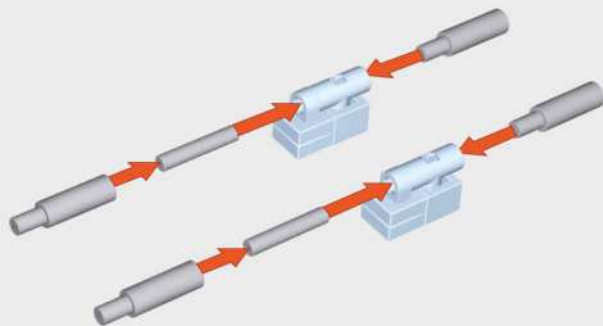


x2



x2

68

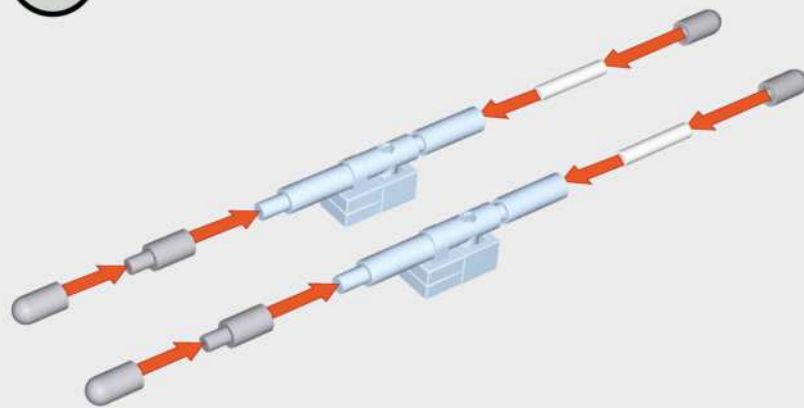


x2



x4

69



x2

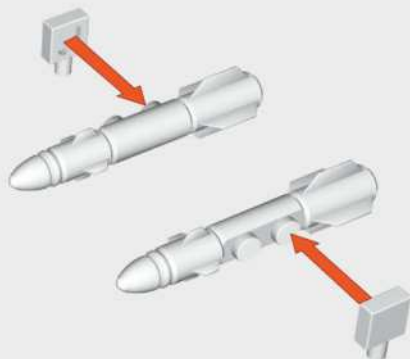


x2



x4

70

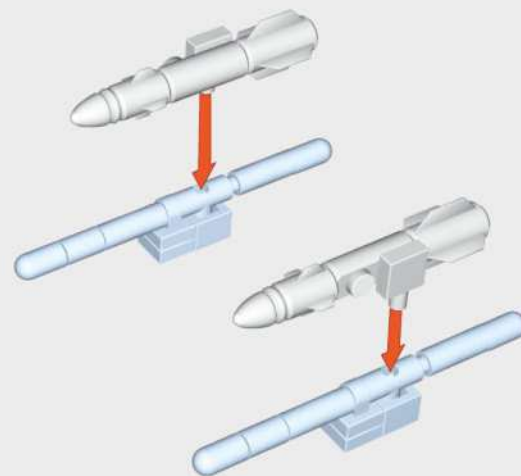


x2

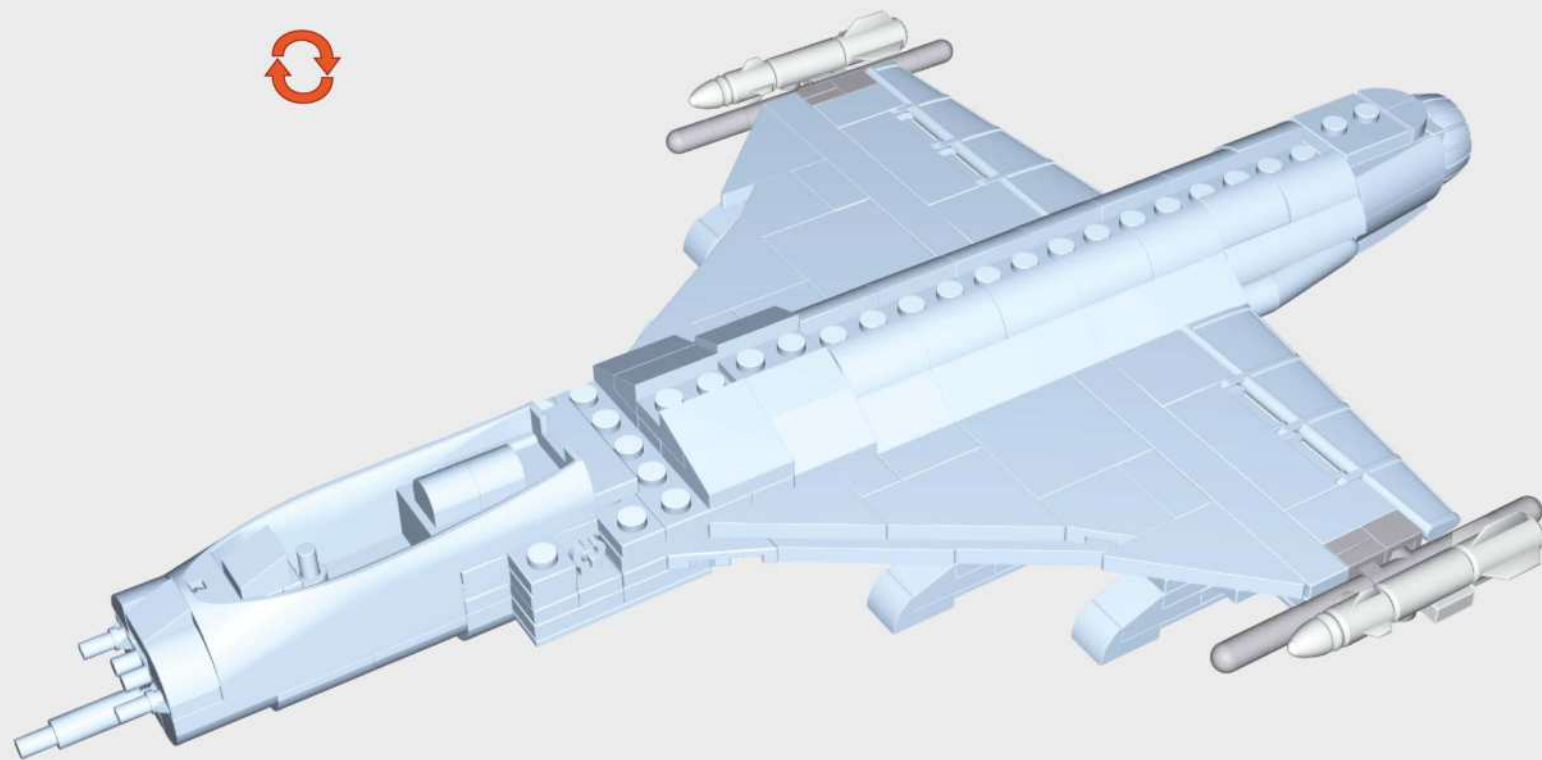


x2

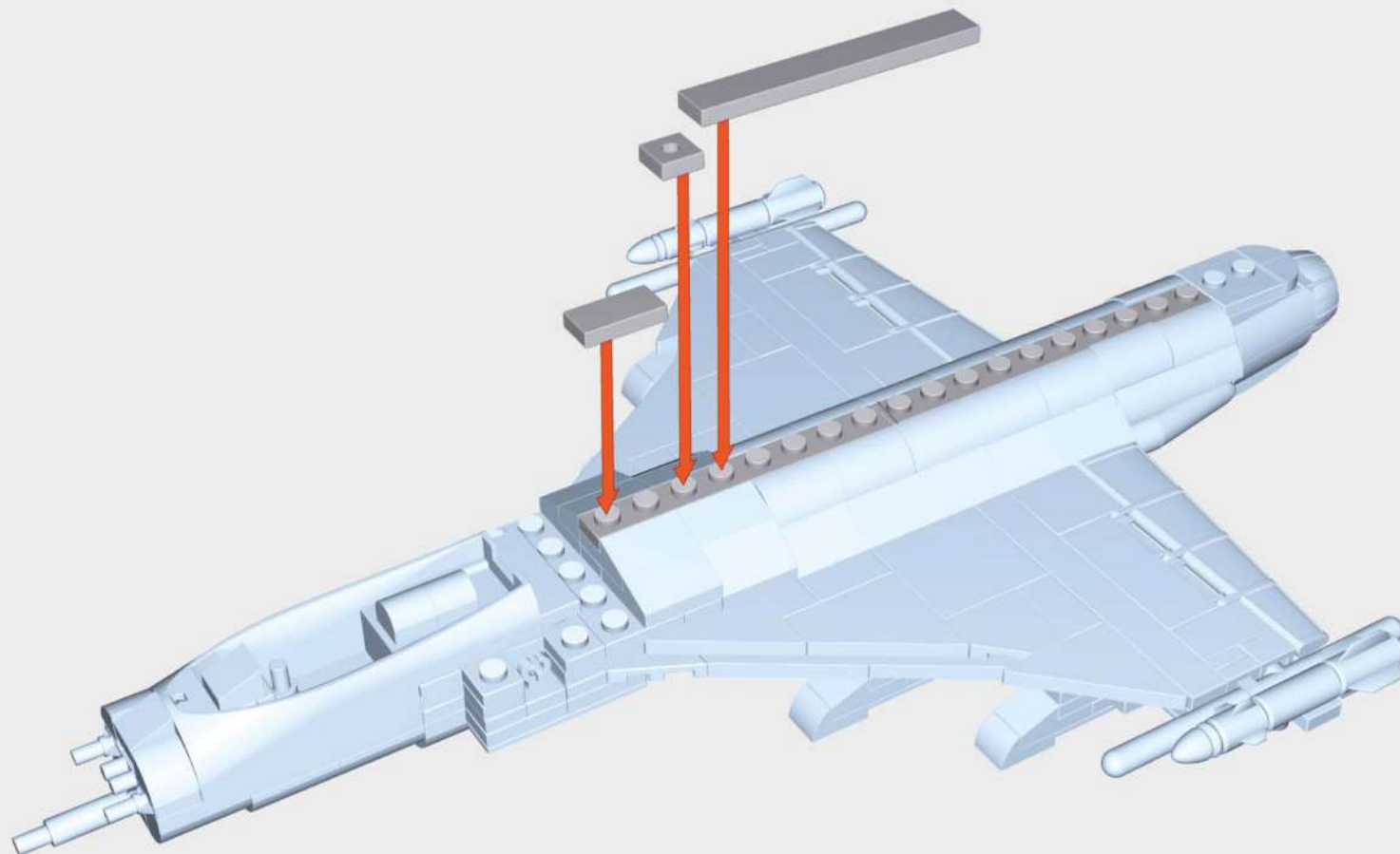
71







73



1:1

1:1



x1



x1



x1

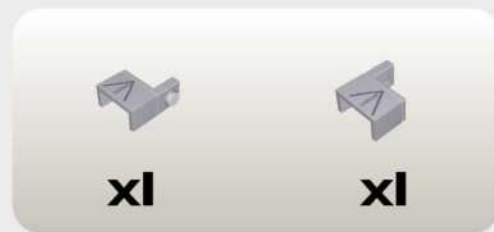
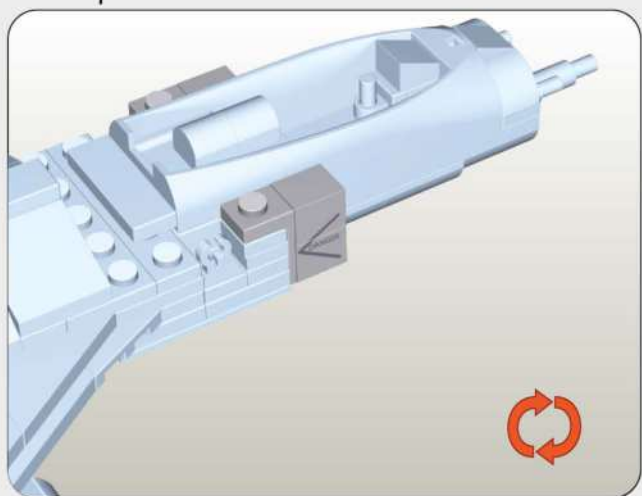
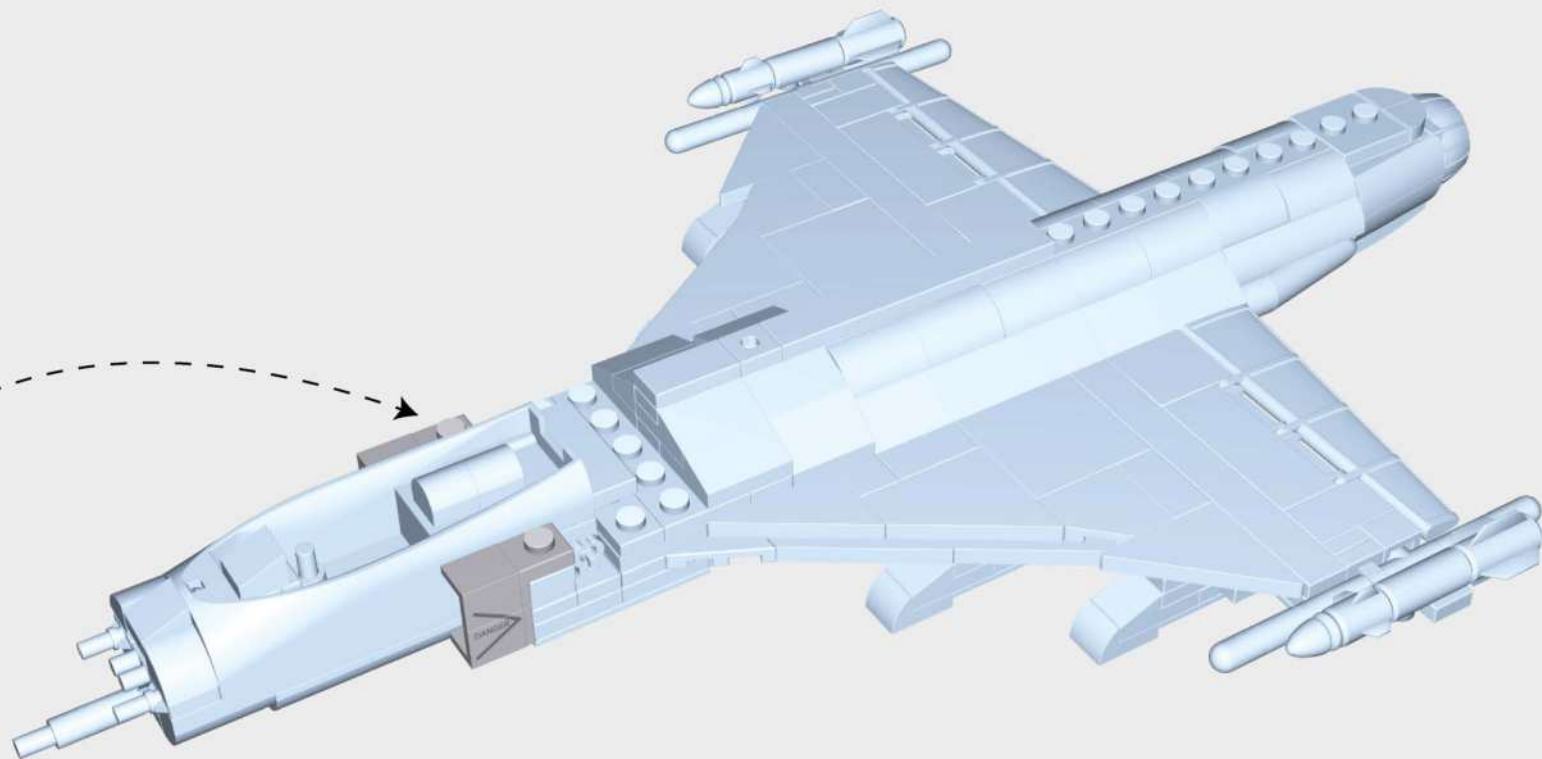


x1

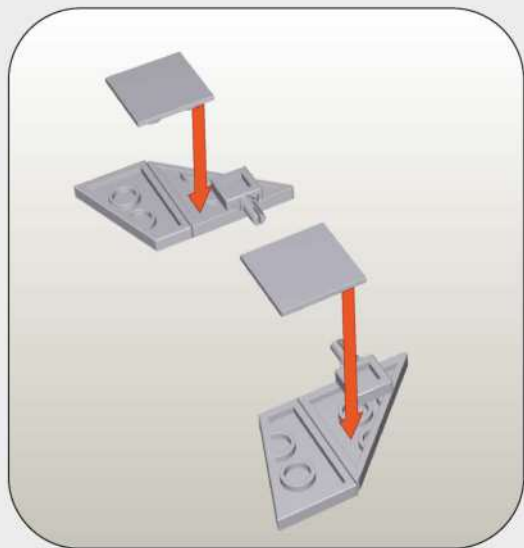
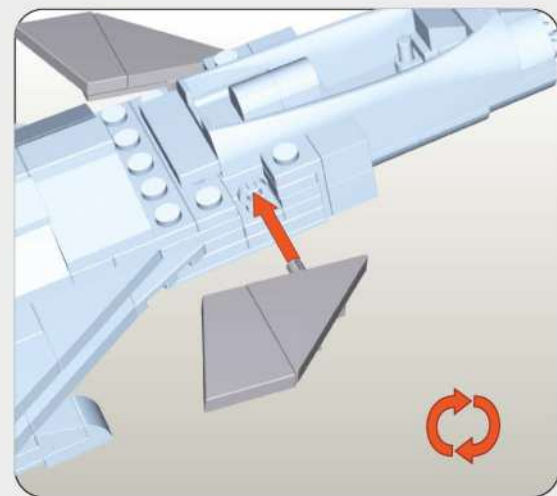
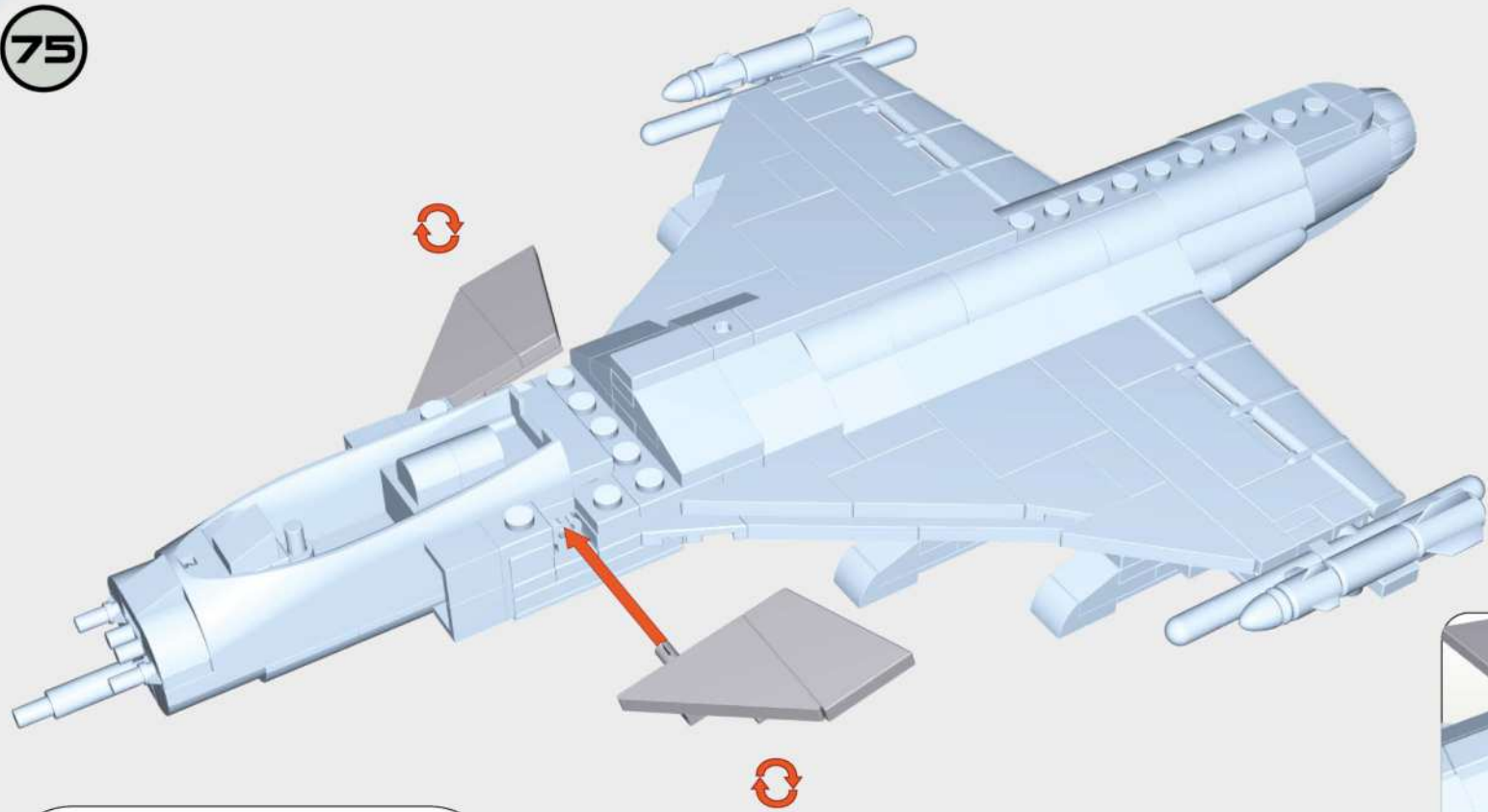


x1

74



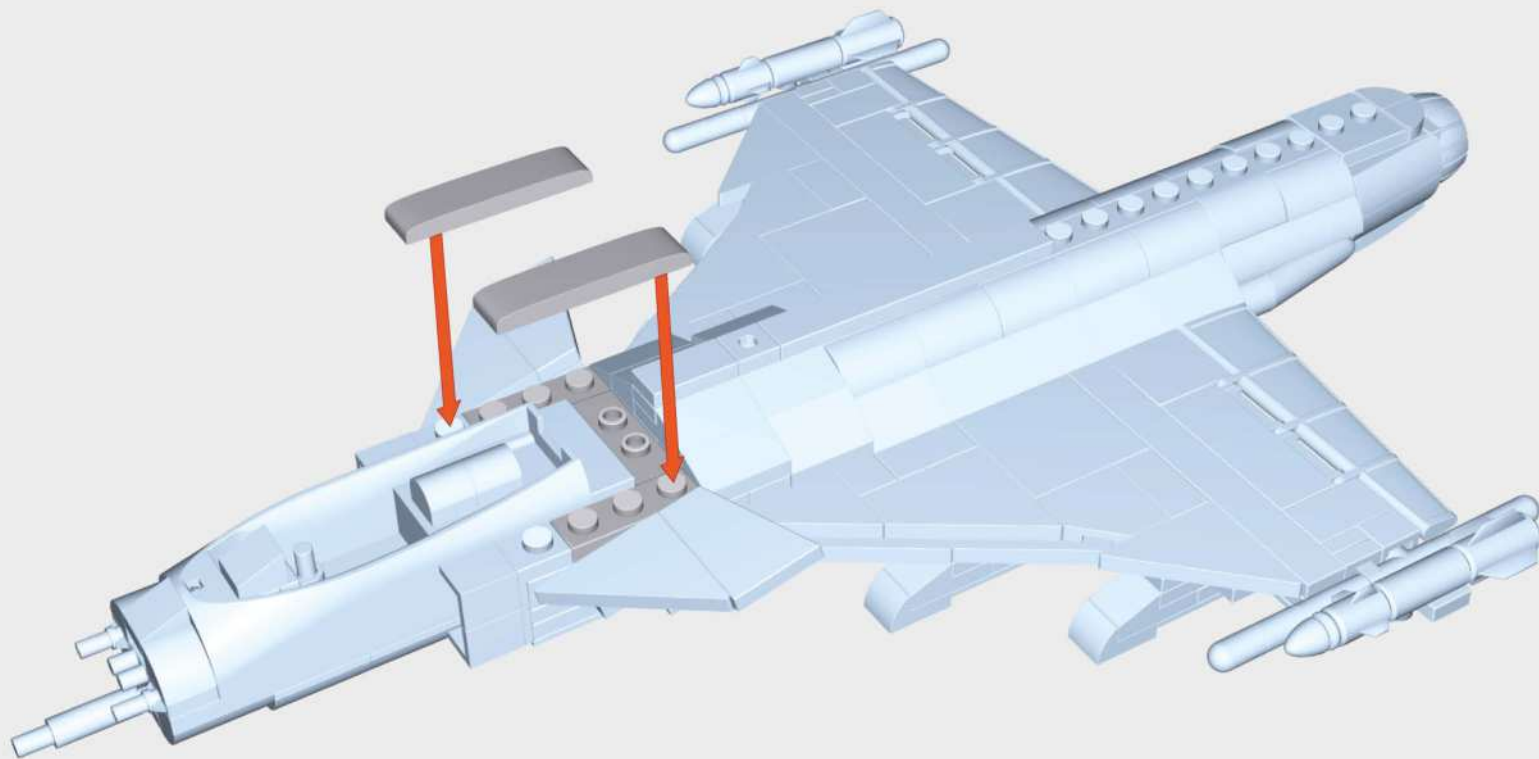
75



-  x2
-  x1
-  x1
-  x2
-  x2



76



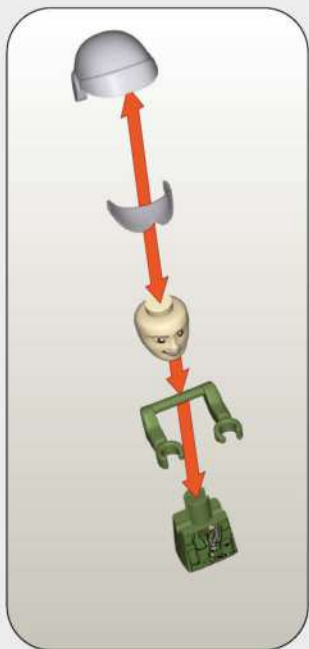
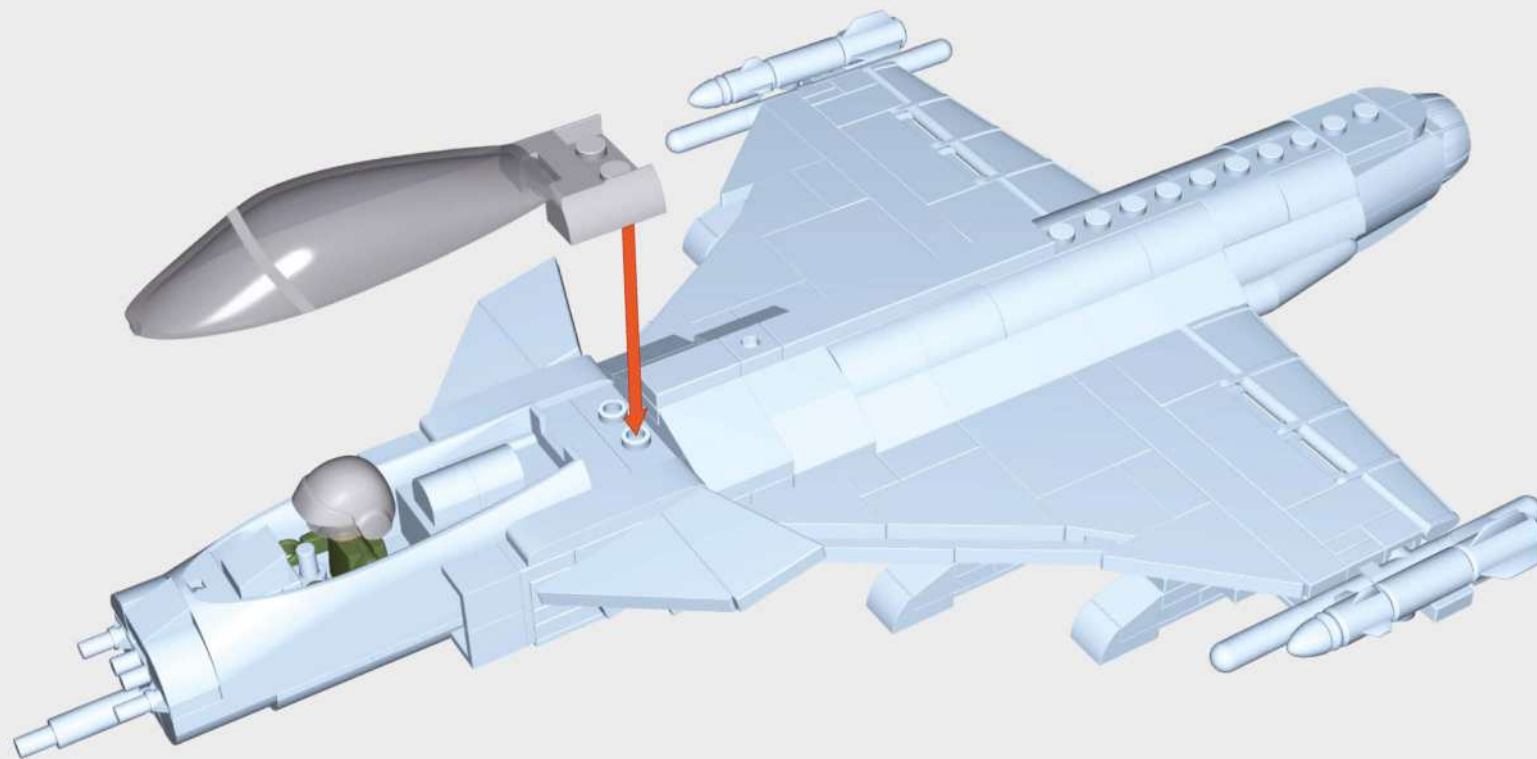
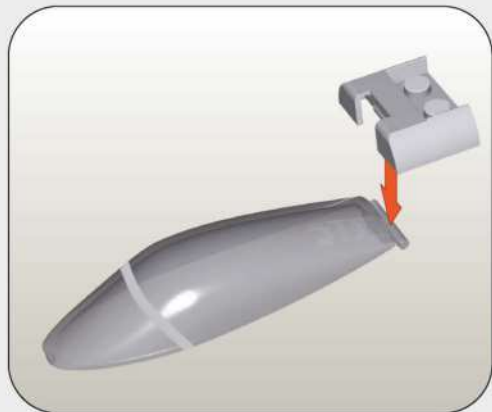
x1










x2

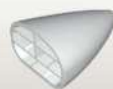
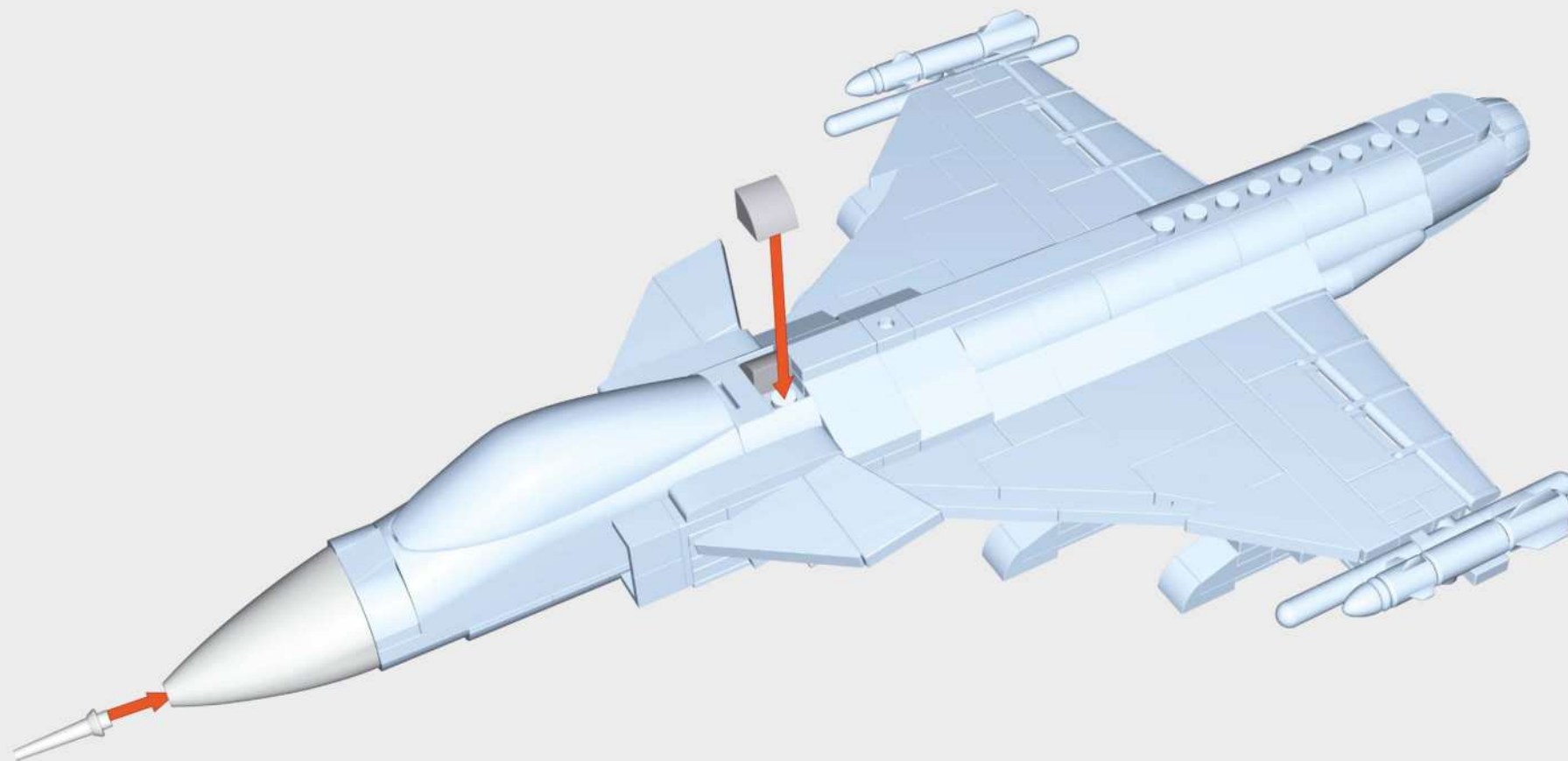


x2



-  **x1**
-  **x1**
-  **x1**
-  **x1**
-  **x1**
-  **x1**
-  **x1**

78



x1



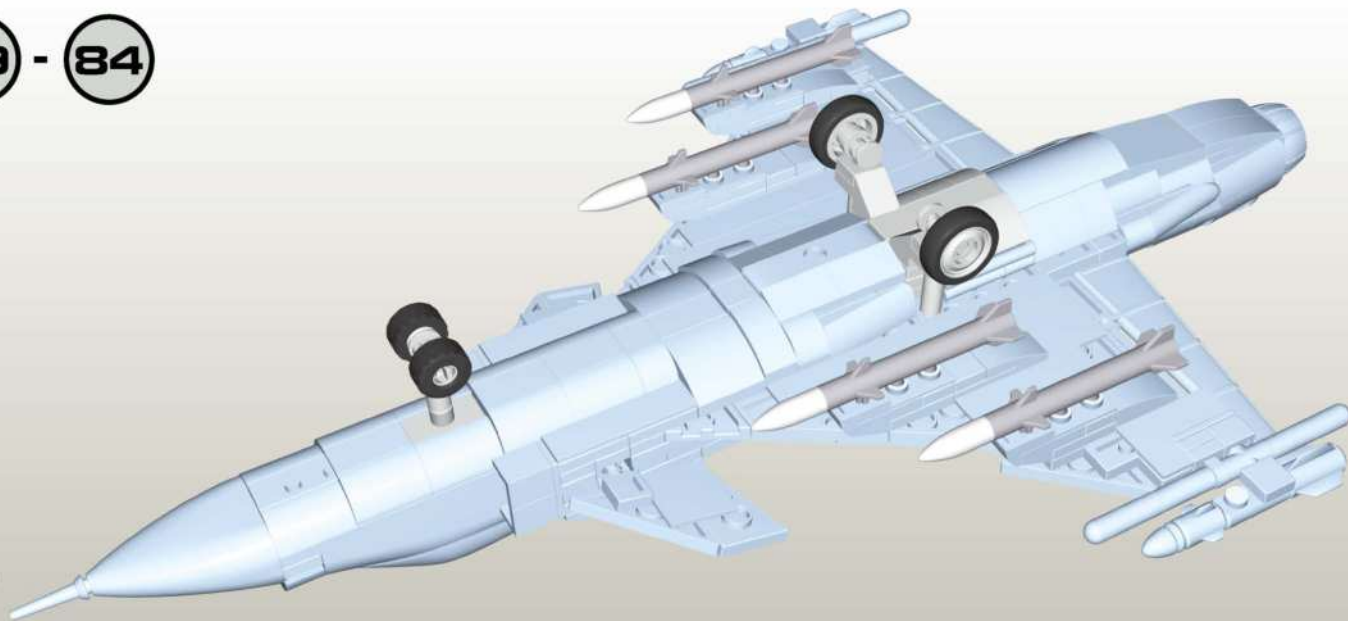
x1



x2

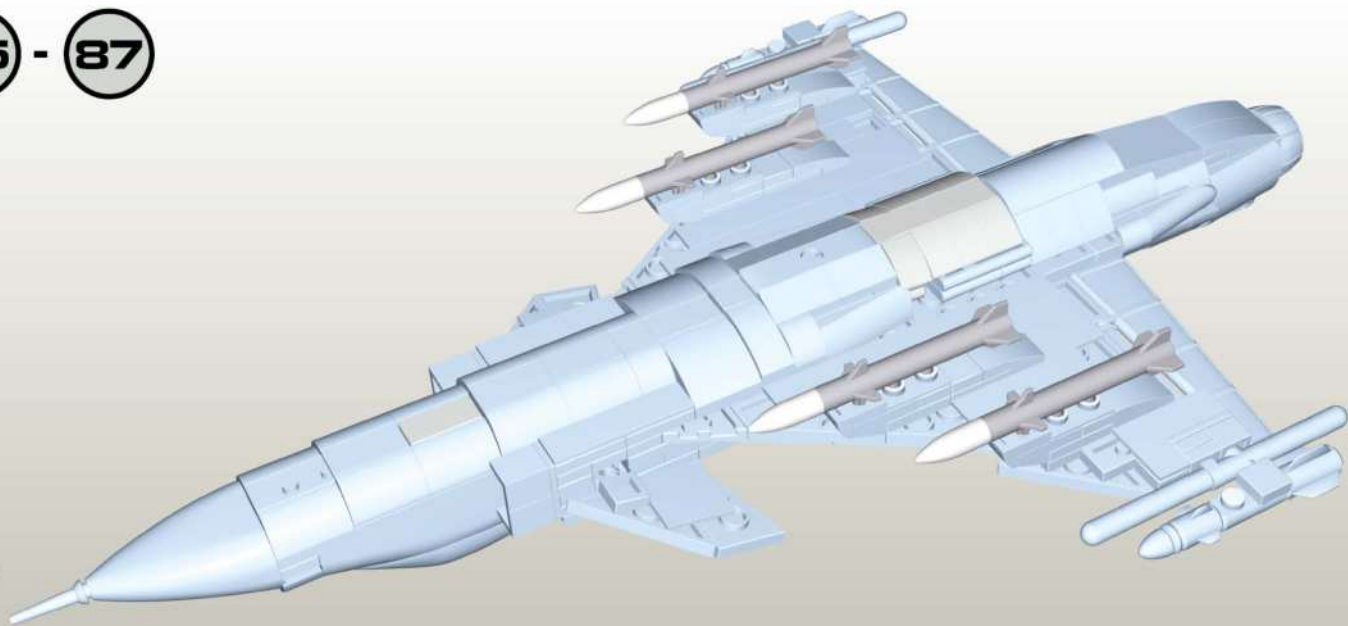
79 - 84

A



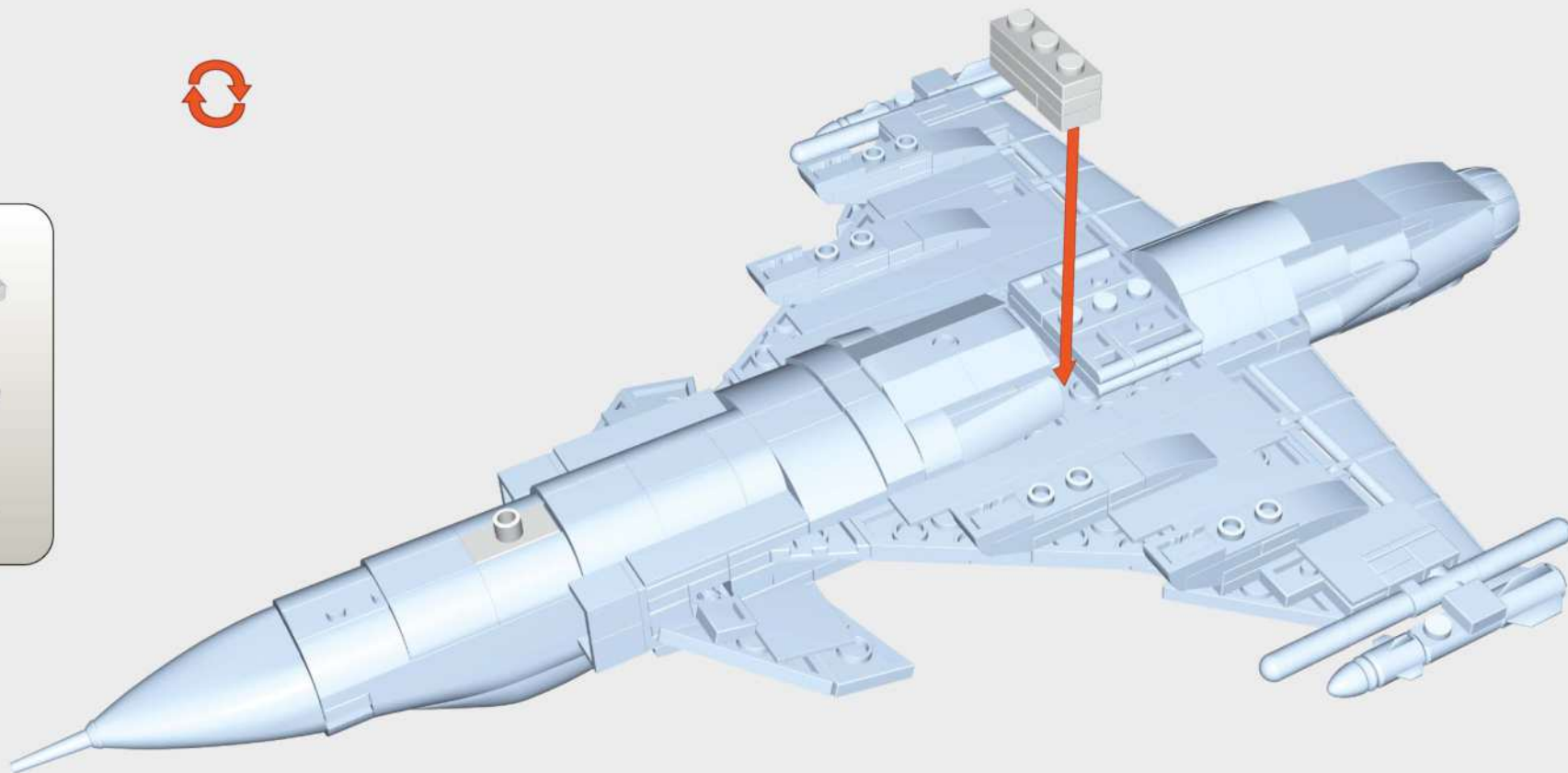
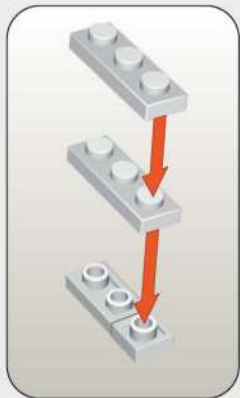
85 - 87

B





79 - A



x1



x1

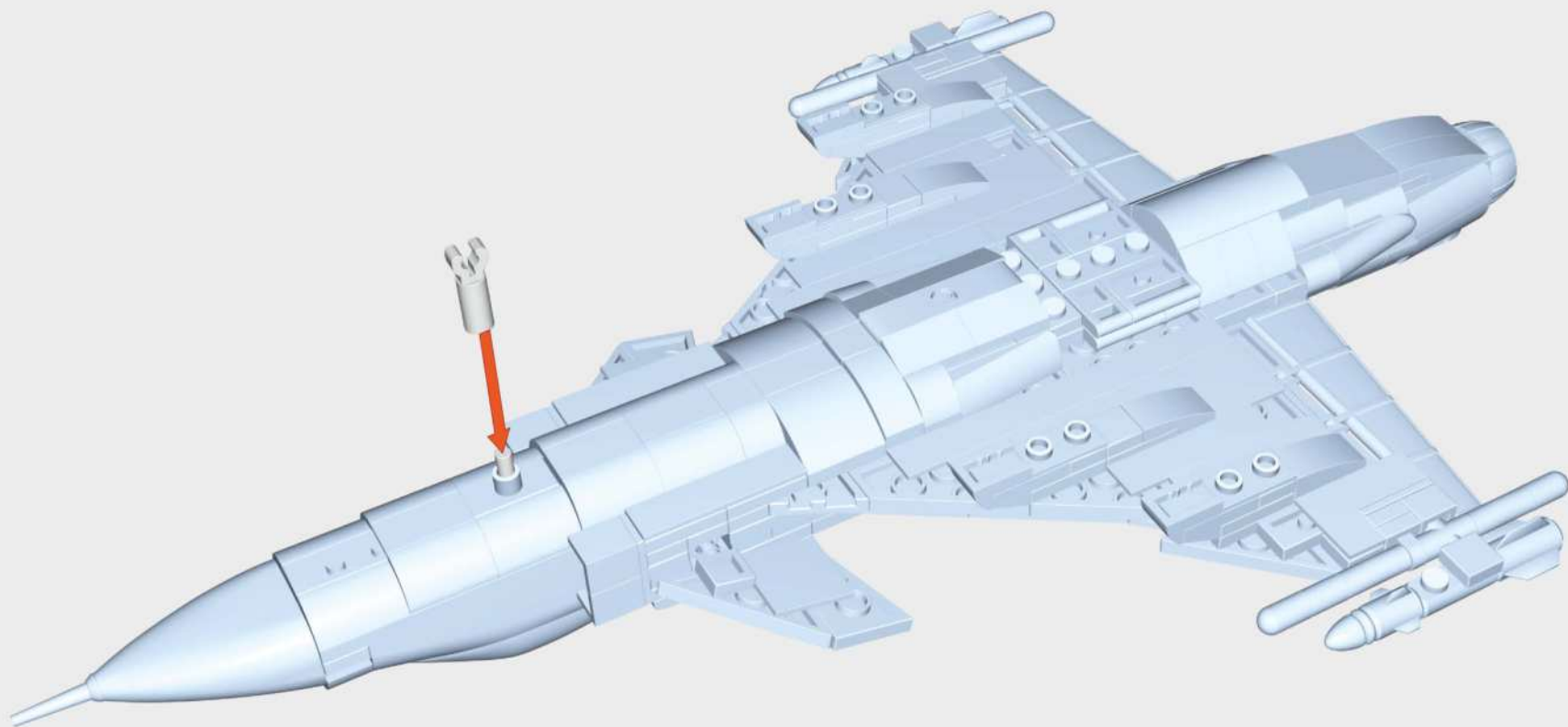


x1



x2

80

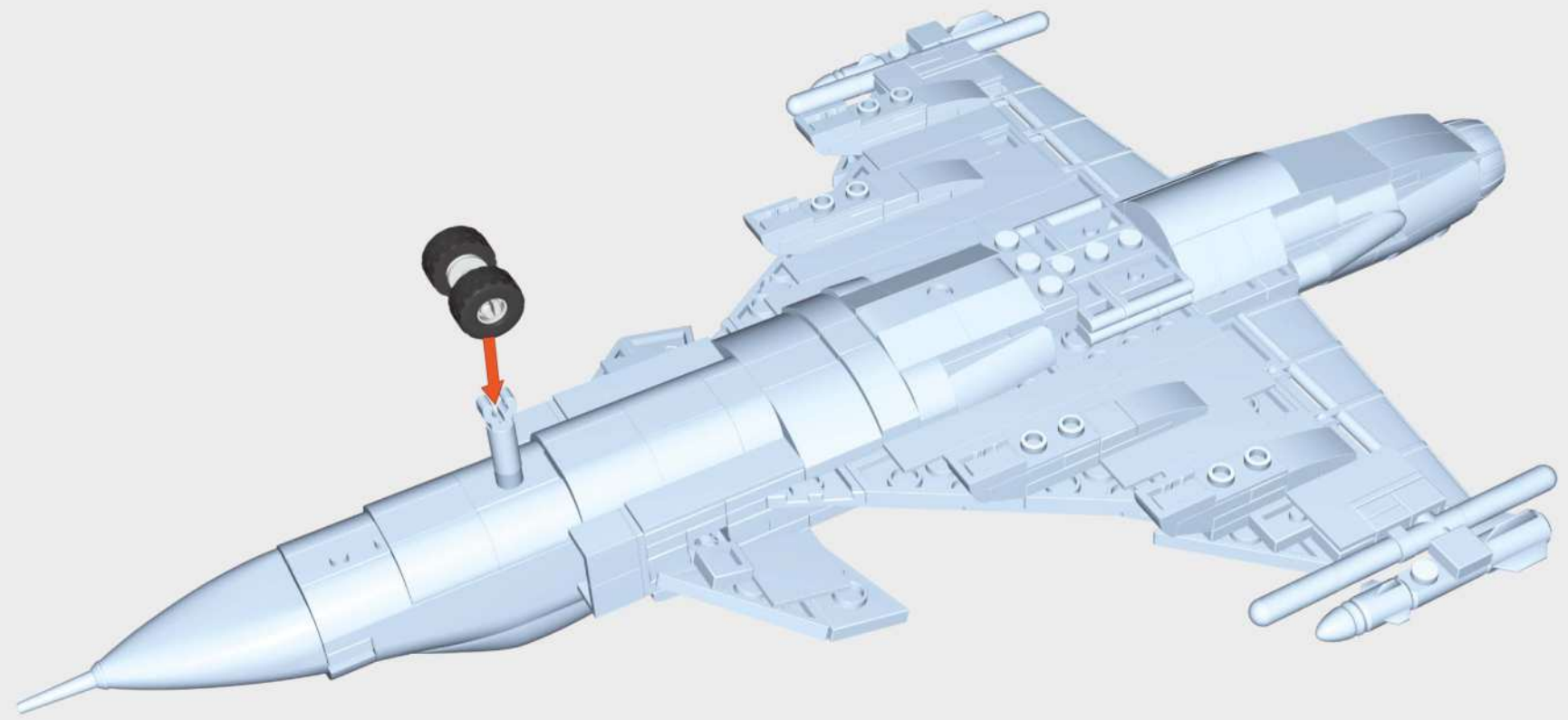





x1

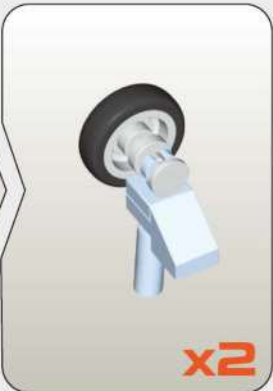
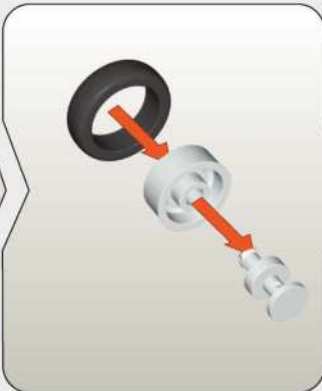
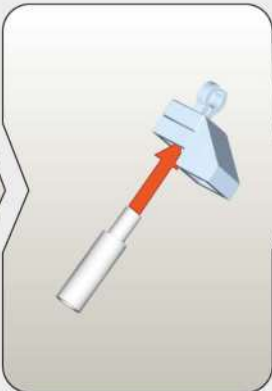
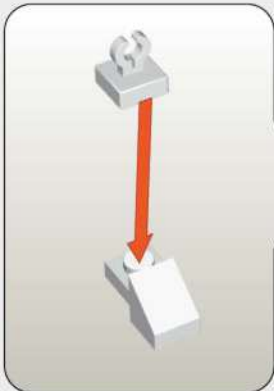
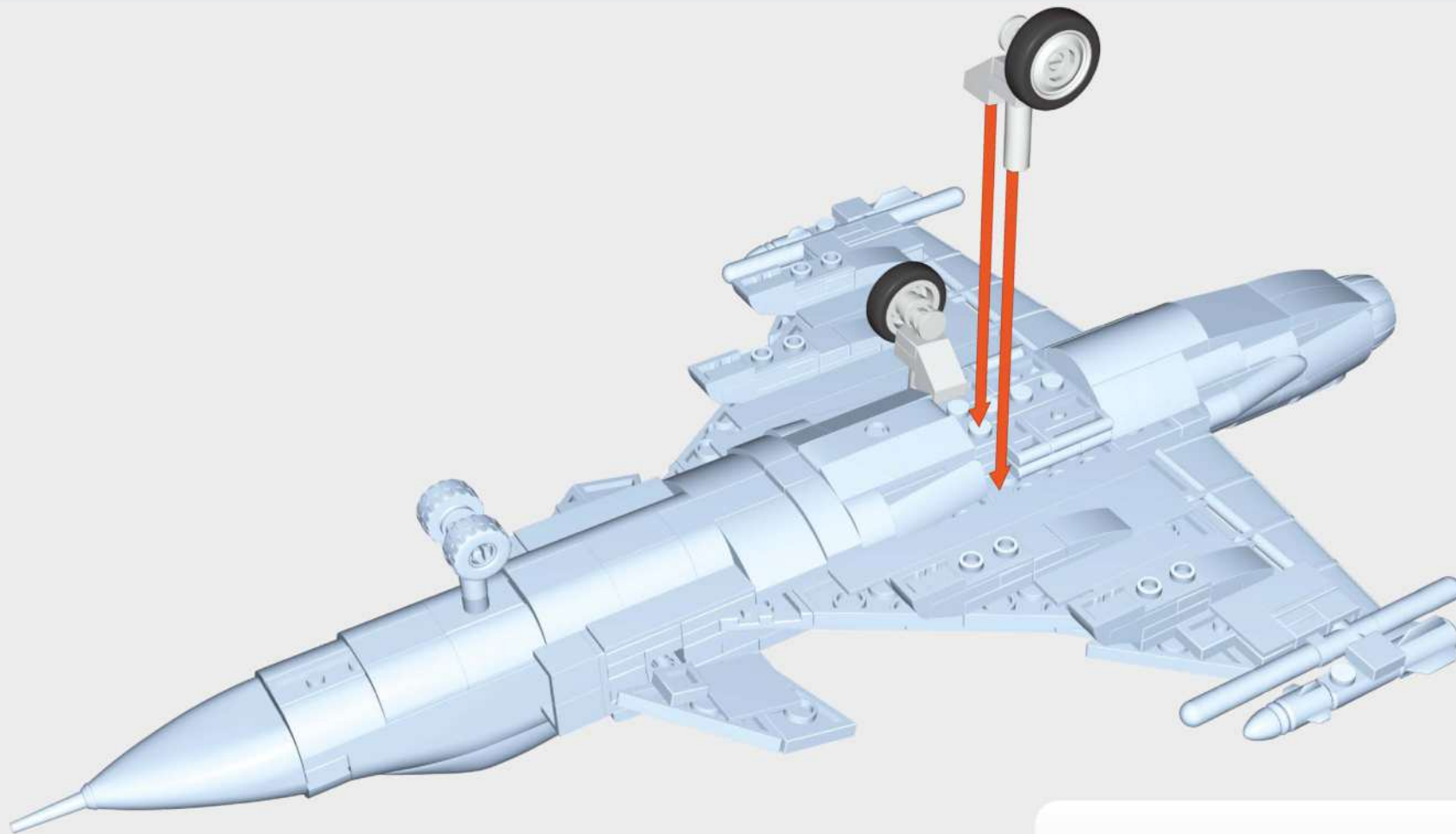


x1

81

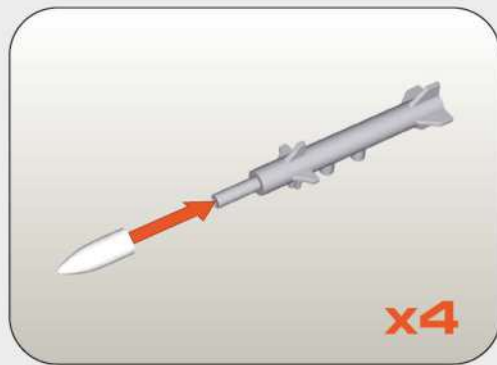
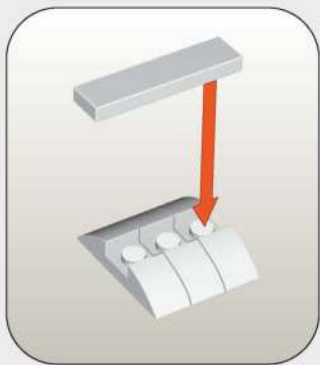
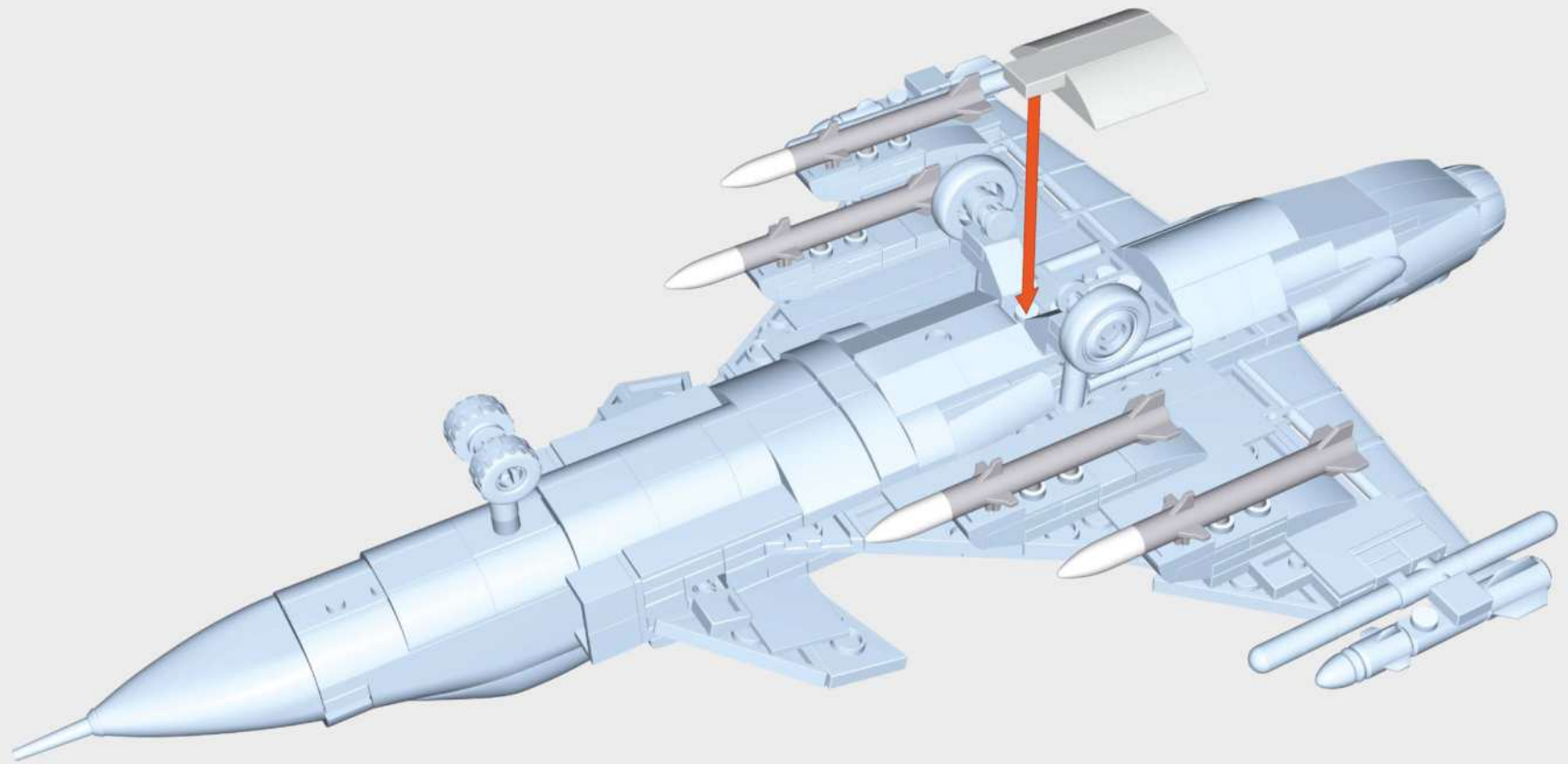


		
<b>x2</b>	<b>x2</b>	<b>x1</b>



<b>x2</b>	<b>x2</b>	<b>x2</b>
<b>x2</b>	<b>x2</b>	<b>x2</b>





x4

1:1



x3



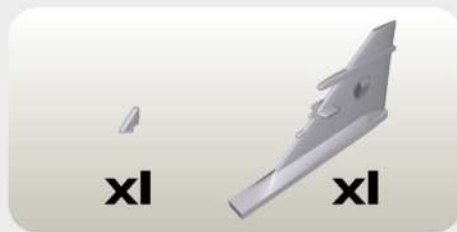
x1



x4



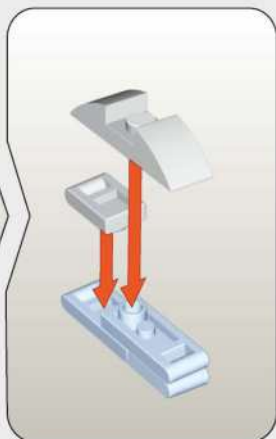
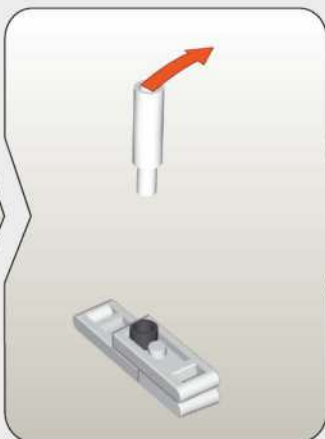
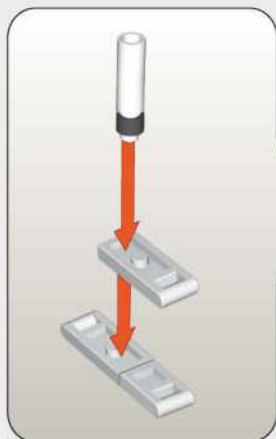
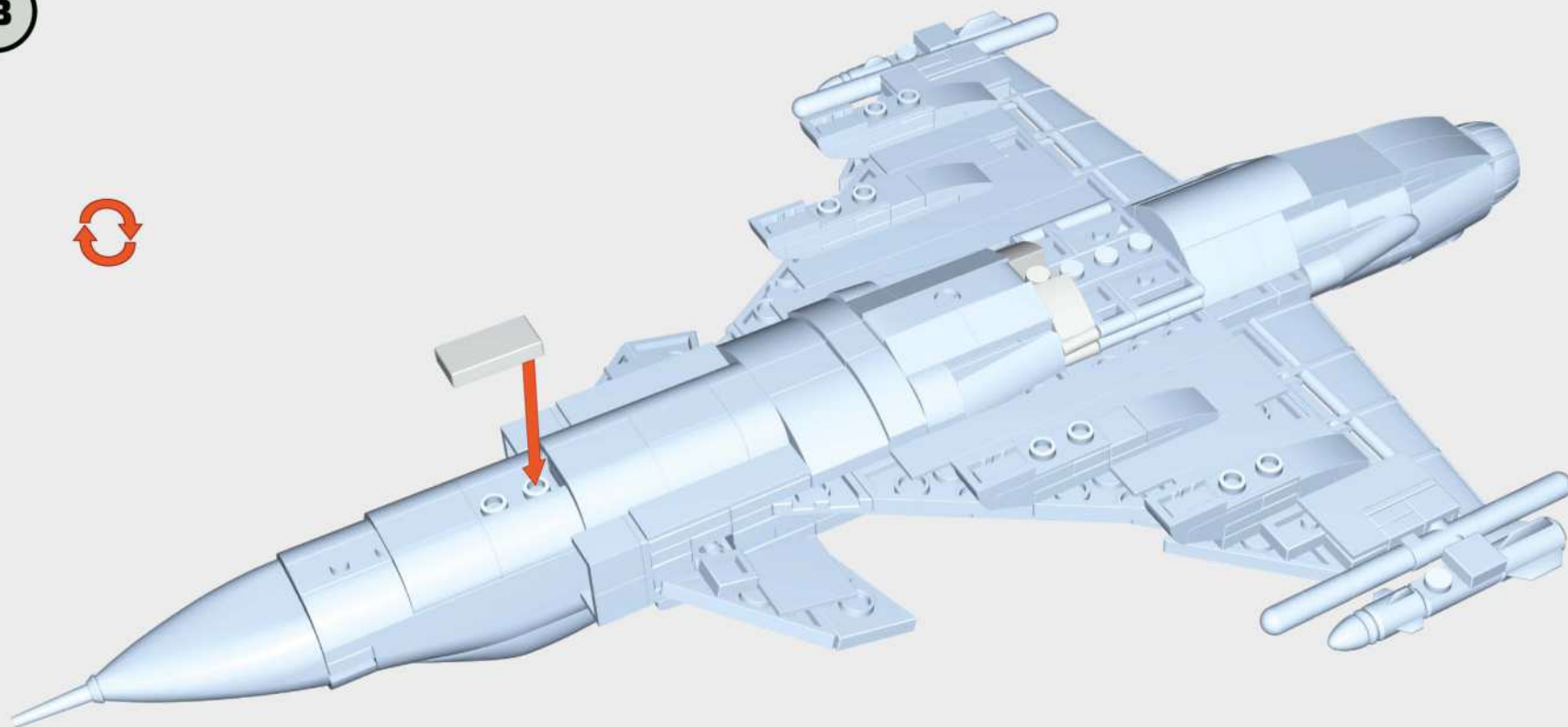
x4



x1

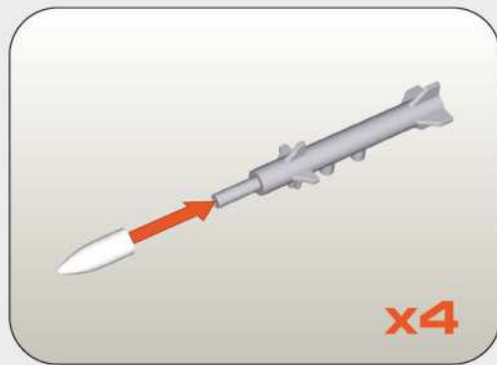
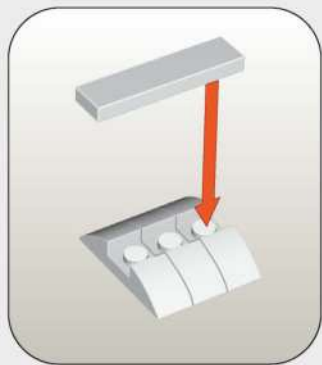
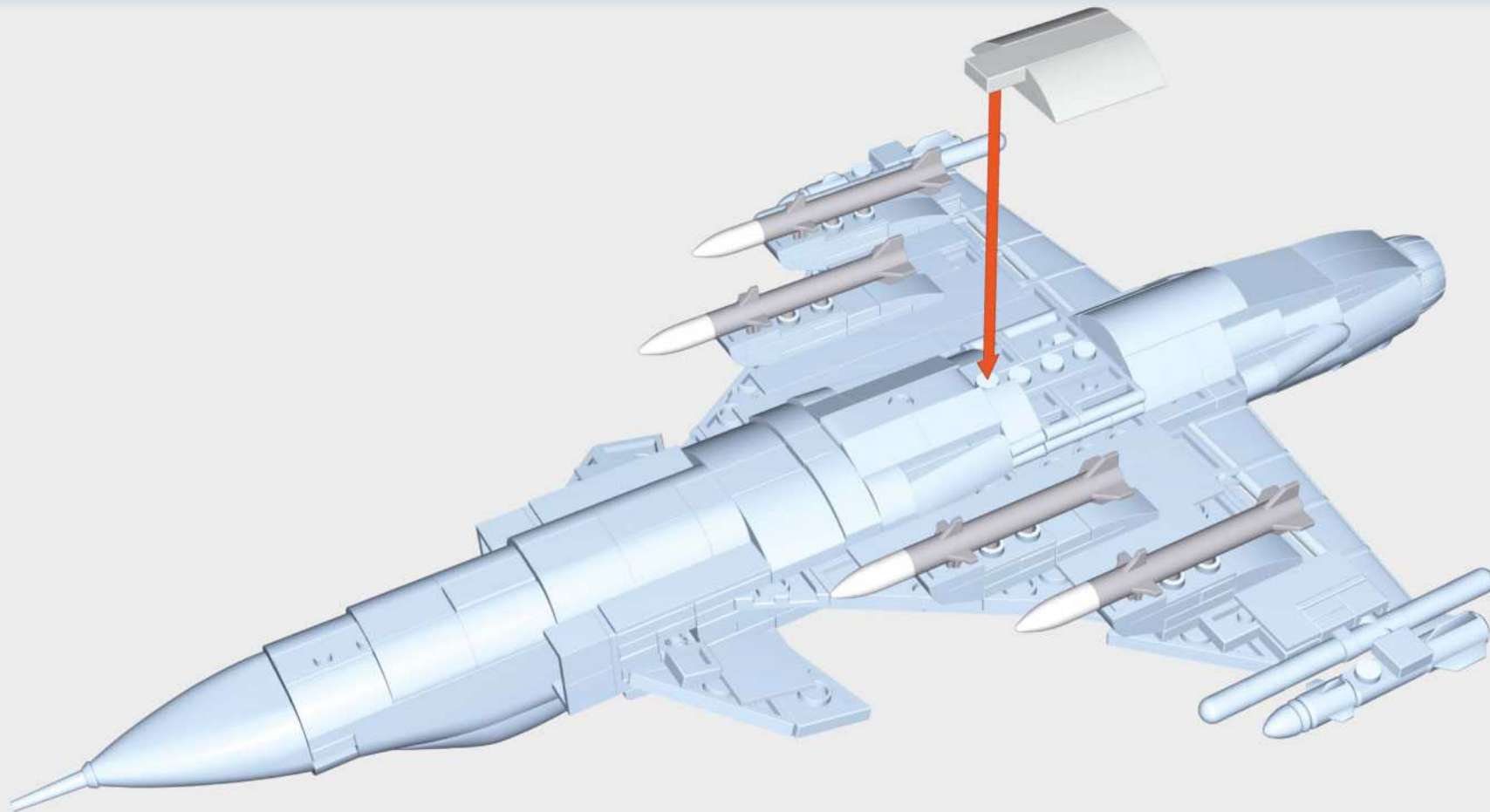
x1

85 - B






				
<b>x2</b>	<b>x2</b>	<b>x1</b>	<b>x1</b>	<b>x1</b>

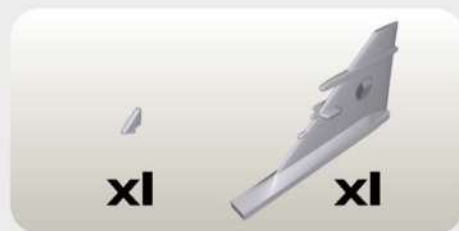
**1:1**



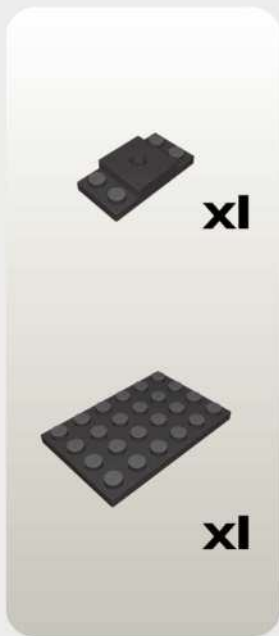
1:1

-  x3
-  x1
-  x4
-  x4

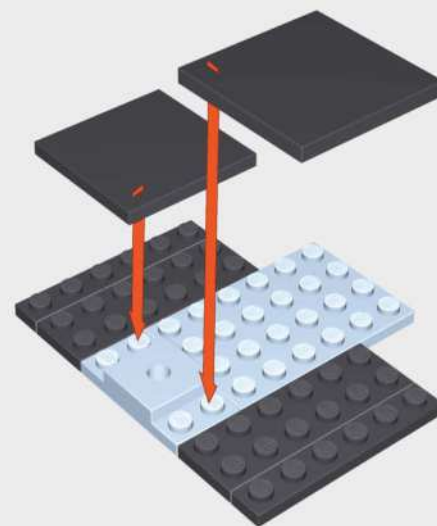




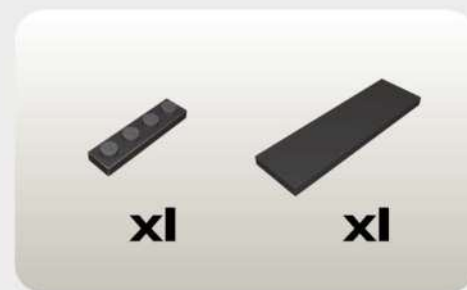
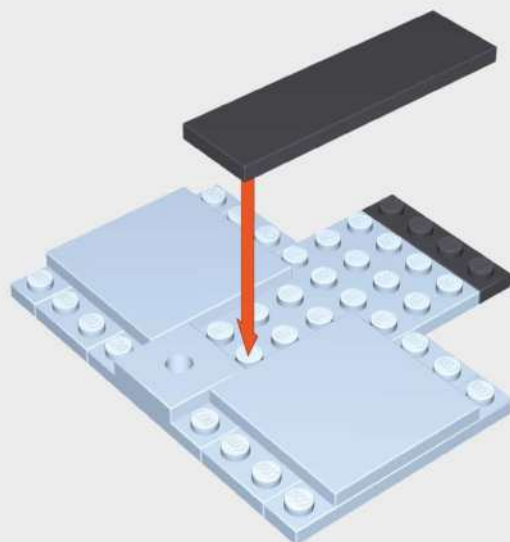
88



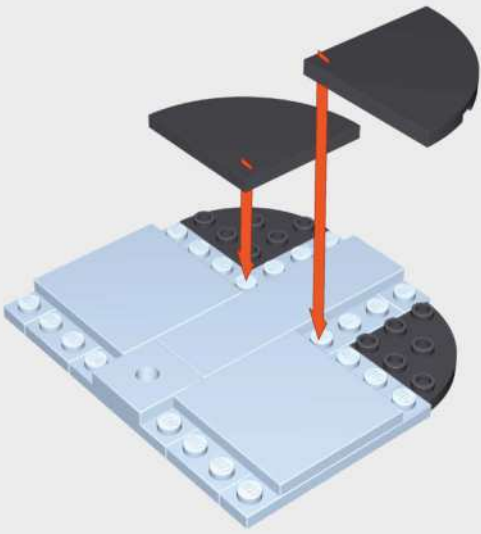
89



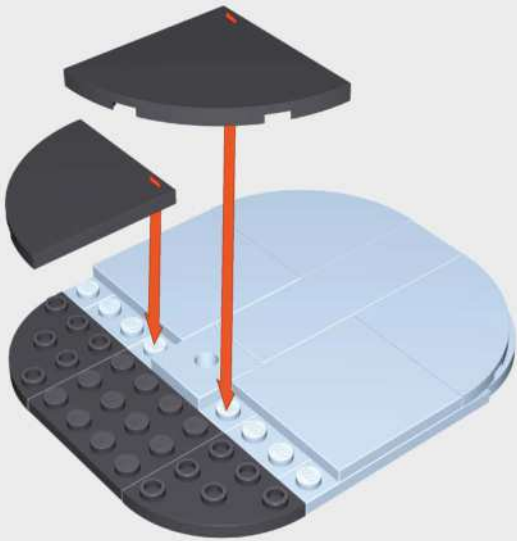
90



91



92



93



94



95 - B



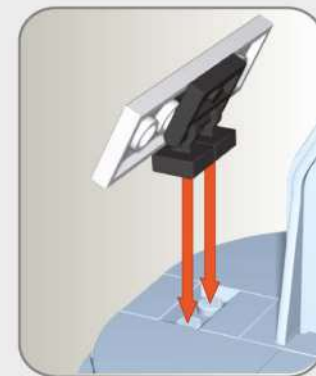
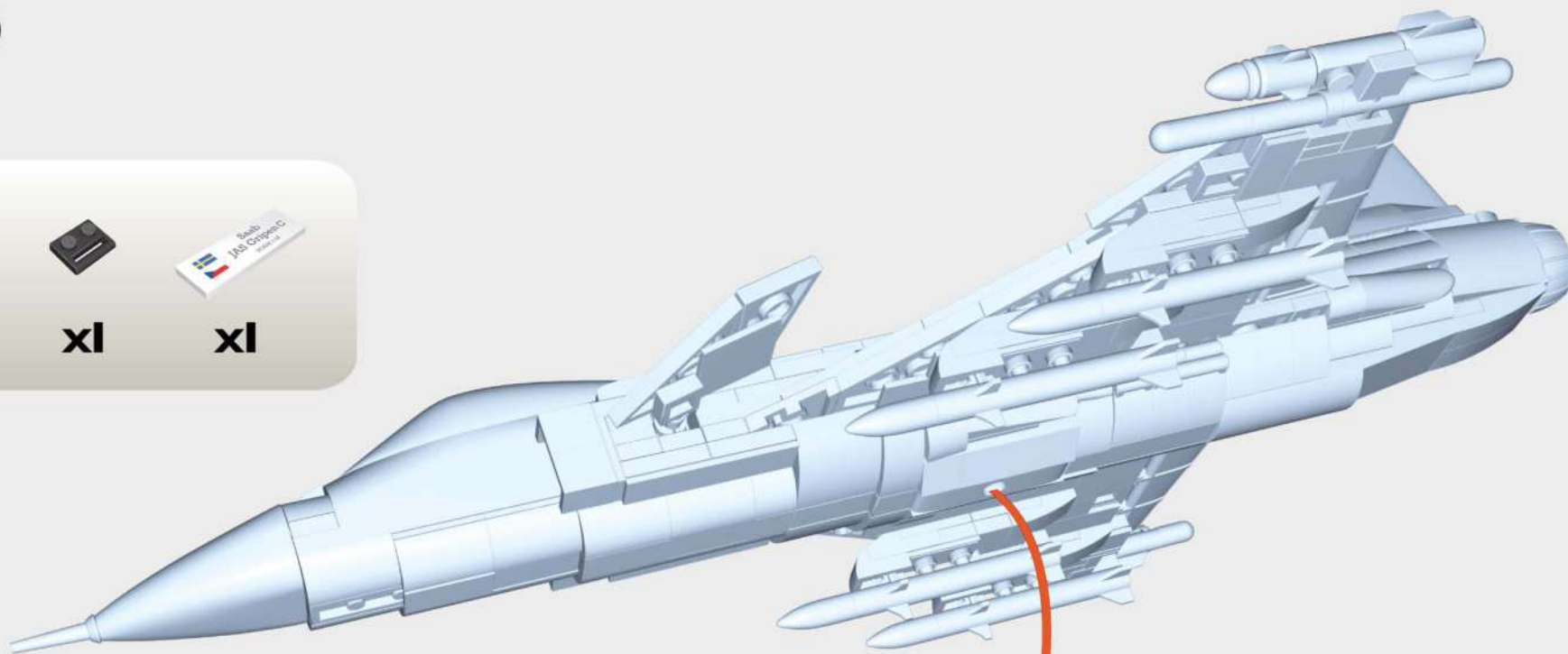
x2



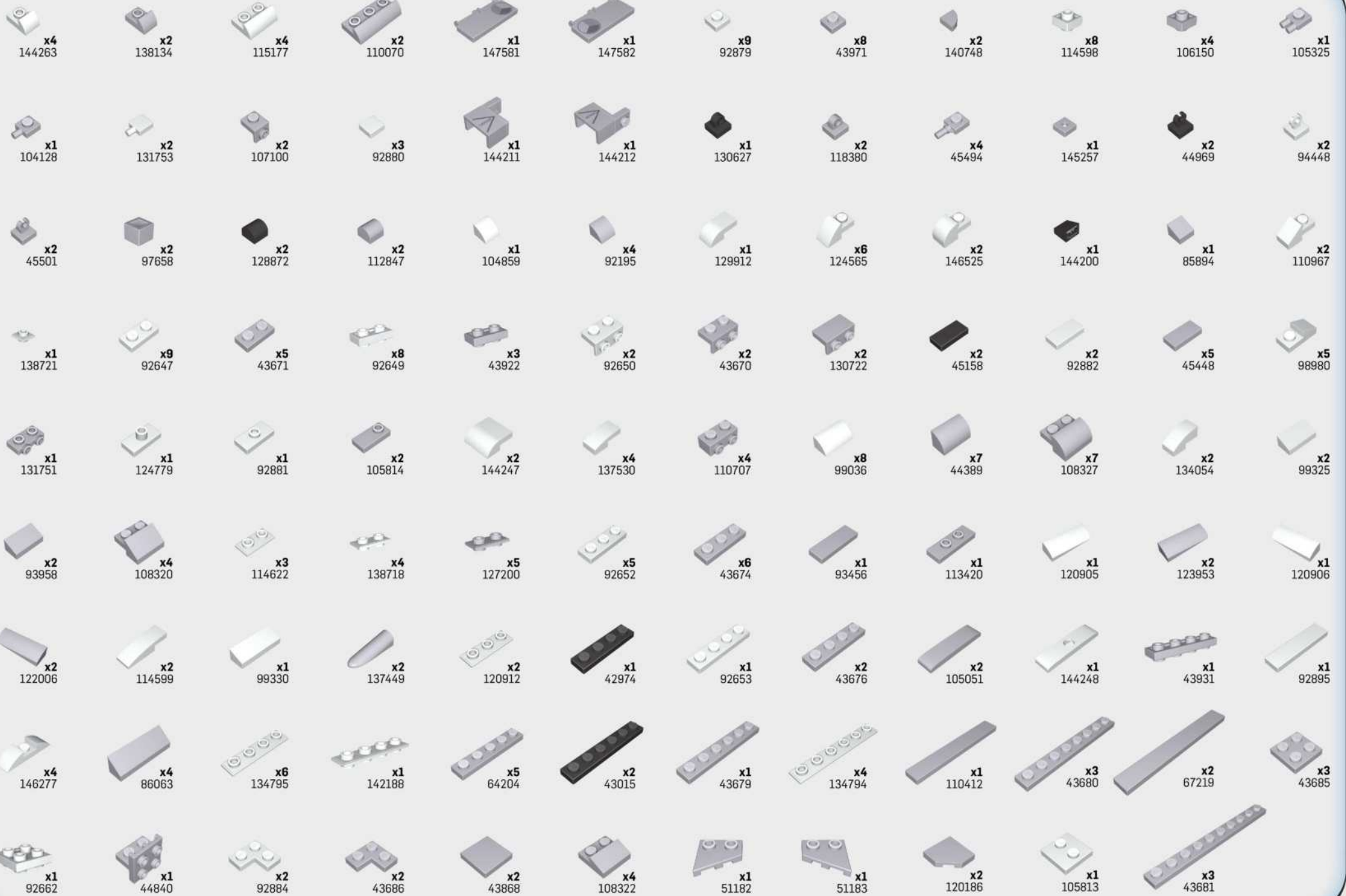
x1

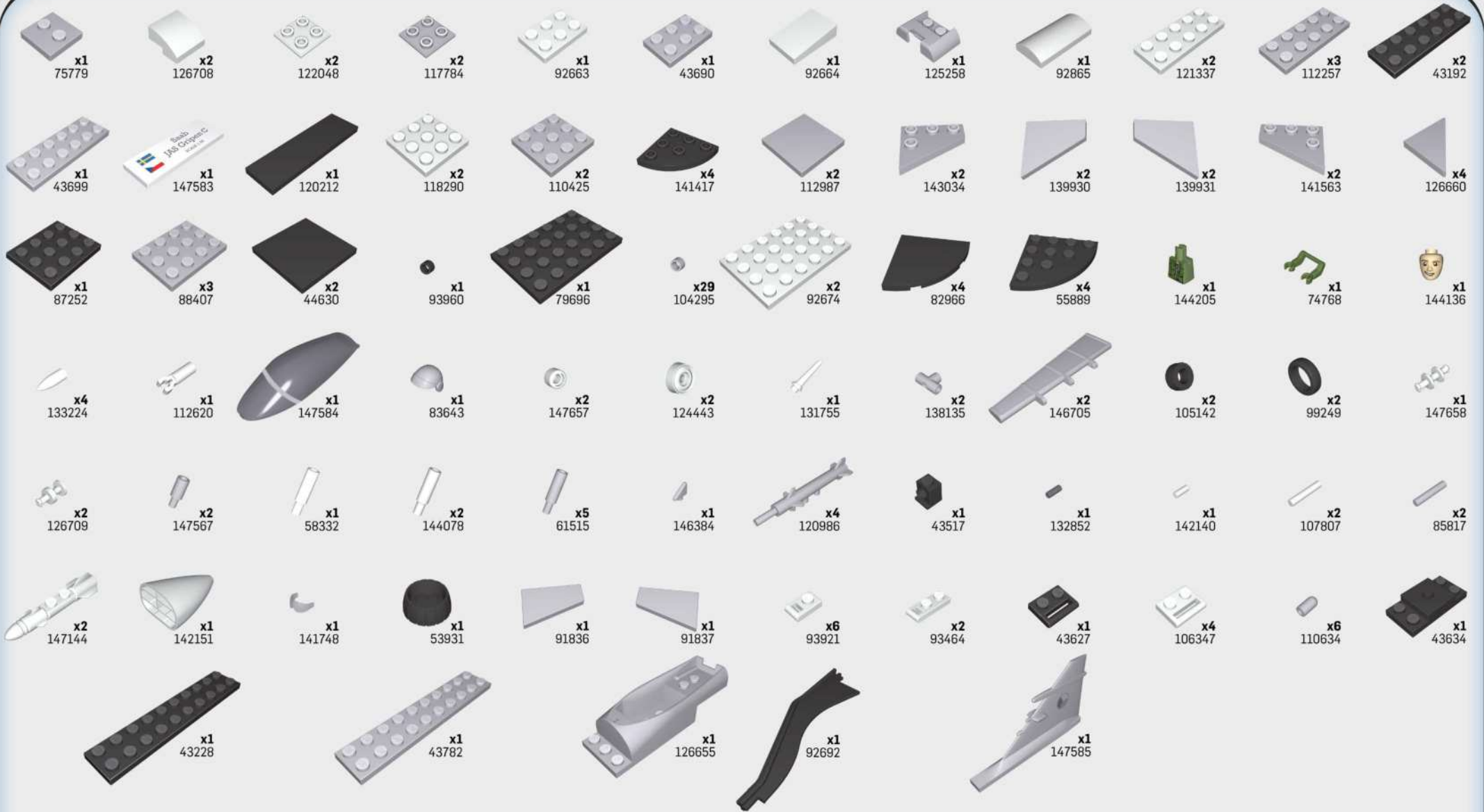


x1













Produced under license from Boeing. Boeing and F/A-18 Hornet are trademarks of The Boeing Company.



F/A-18C HORNET™  
5819



MERKAVA MK. I/II  
2621

DEUTSCHES  
PANZERMUSEUM  
MUNSTER



F-16®D FIGHTING FALCON®  
5815



F-16®C FIGHTING FALCON®  
5814



LOCKHEED MARTIN®, F-16®C Fighting Falcon®, F-16®D Fighting Falcon®, associated emblems and logos, and body designs of vehicles are either registered trademarks or trademarks of Lockheed Martin Corporation in the USA and/or other jurisdictions, used under license by COBI.



F-16®C FIGHTING FALCON®  
5813





Produced under license from Boeing. Boeing and F/A-18 Hornet are trademarks of The Boeing Company.



F/A-18C HORNET™  
5810



MIRAGE III S SWISS AIR FORCE  
5827



MIRAGE III C  
5818



MIRAGE III C  
5826



WWW.COBI.EU

For news and special deals

03-05828-464

Find us on:

