


**ARMED  
FORCES**



**PAD PRINTED**  
**NO STICKERS**

**A-10 THUNDERBOLT II™ WARTHOG®**  
 IN SERVICE - 1977 - PRESENT  
 PLACE OF ORIGIN - UNITED STATES  
 ROLE - CLOSE AIR SUPPORT ATTACK AIRCRAFT  
 WINGSPAN - 17,42M (57' 6")  
 LENGTH - 16,16M (53' 4")  
 HEIGHT - 4,42M (14' 8")  
 WEIGHT - 13154KG (29,000LB)  
 RANGE - 1287KM (800MI)  
 CEILING - 13636M (40,000FT)  
 SPEED - 676KM/H (420MPH)  
 ARMAMENT - 1x 30MM (1.18") GAU-8/A,  
 UP TO 7200KG (16,000LB) OF MIXED ORDNANCE  
 ON EIGHT UNDER-WING AND THREE  
 UNDER-FUSELAGE PYLON STATIONS



**5837**

**Printed in EU**

**NORTHROP  
GRUMMAN**

A-10 Thunderbolt II™ WARTHOG® are trademarks of Northrop Grumman Systems Corporation and are used under license by COBI.



**WARNING: CHOKING HAZARD-**  
Toy contains small parts.  
Not for children under 3 years.

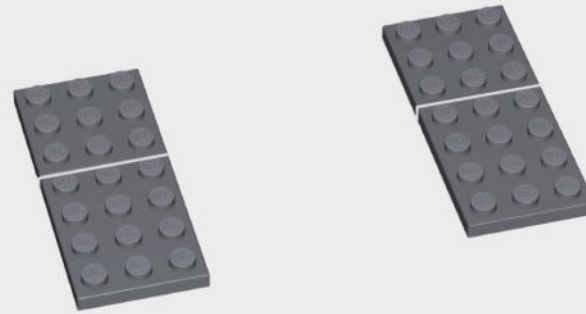
**633** 

**A-10 THUNDERBOLT™ WARTHOG®**

**SCALE 1:48**



1



BE CAREFUL: NOTICE THE DIFFERENCE



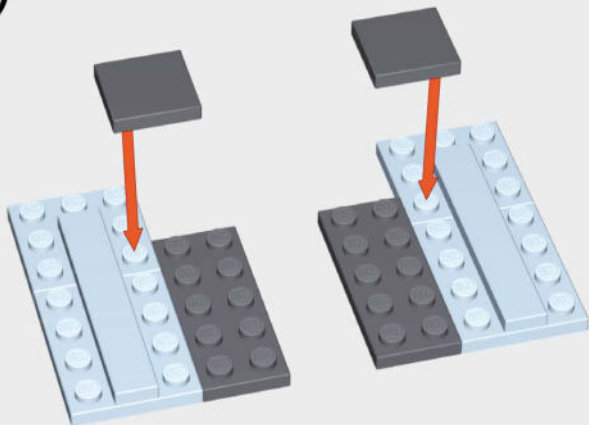
UWAGA: RÓŻNE KLOCKI

2

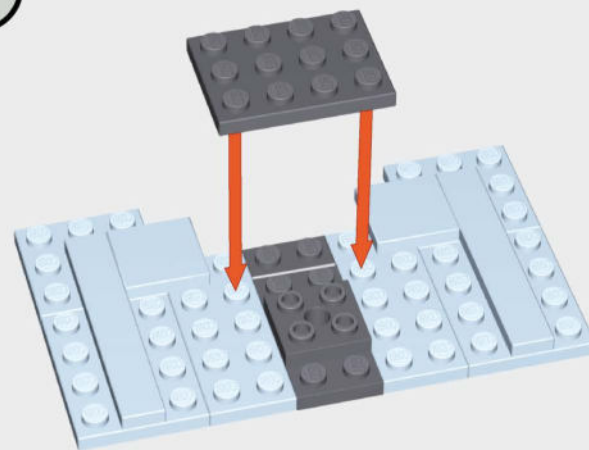


1:1

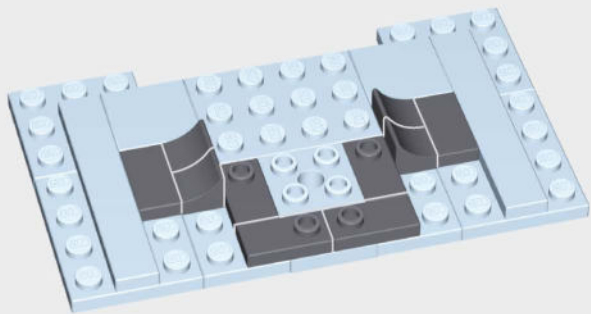
3



4



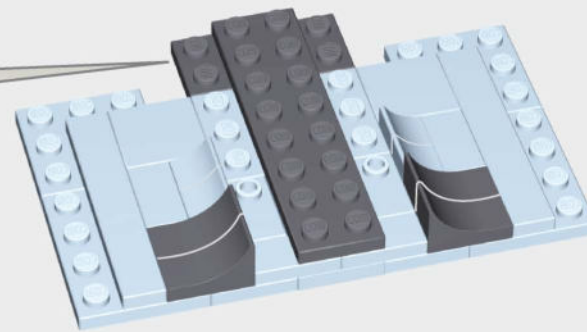
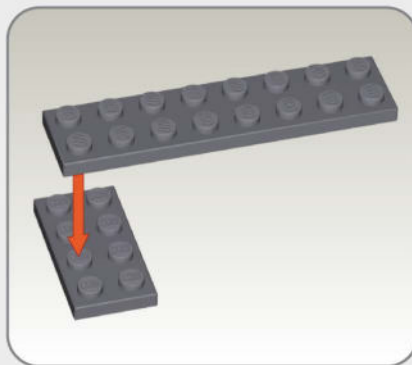
5



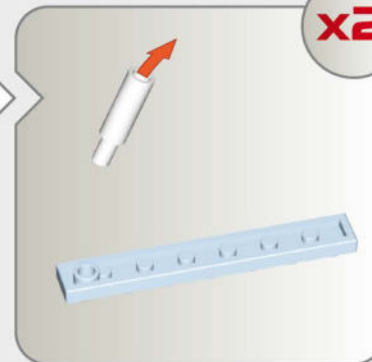
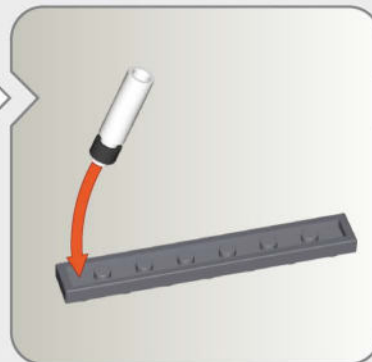
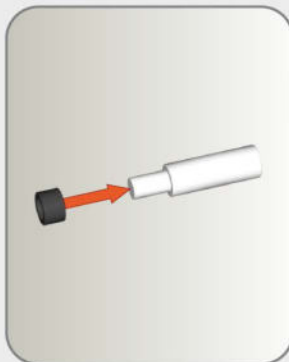
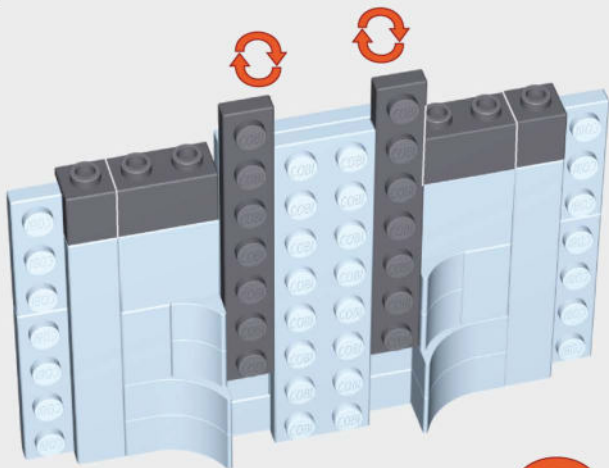
1:1



6



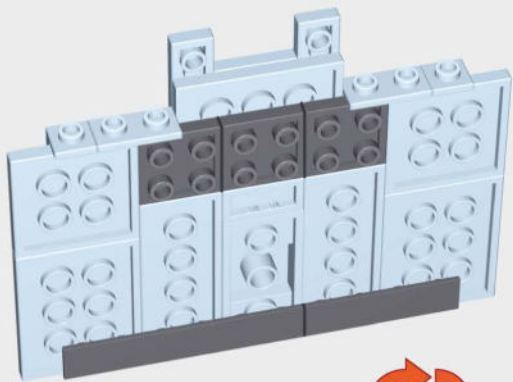
7



x2



8



x1

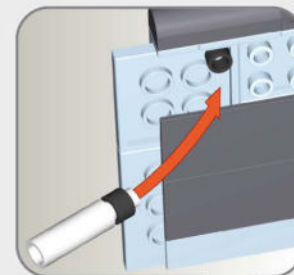
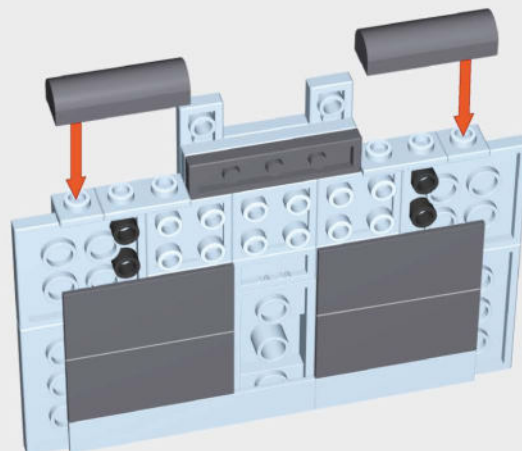


x1



x3

9



x4



x4

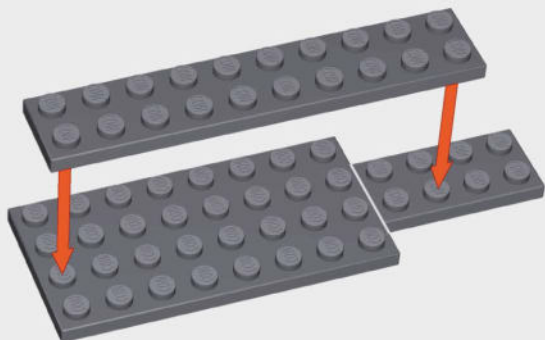


x1



x2

10



x1



x1



x1

11



x1

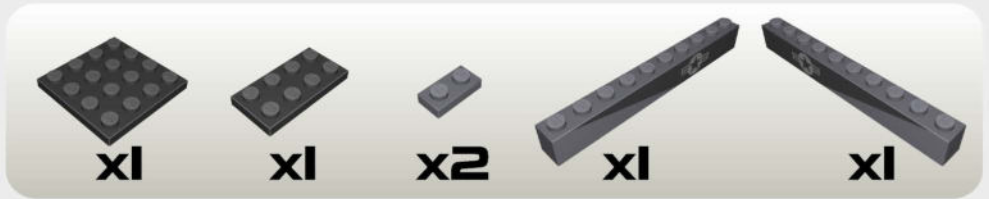
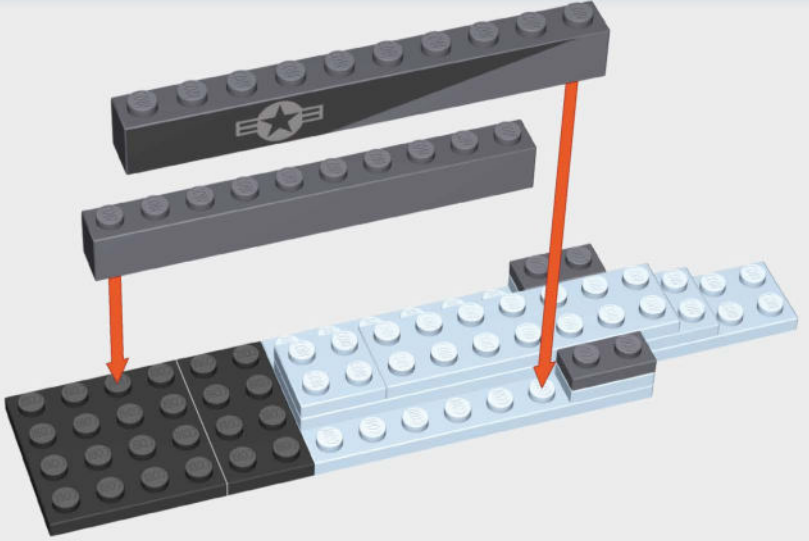


x2

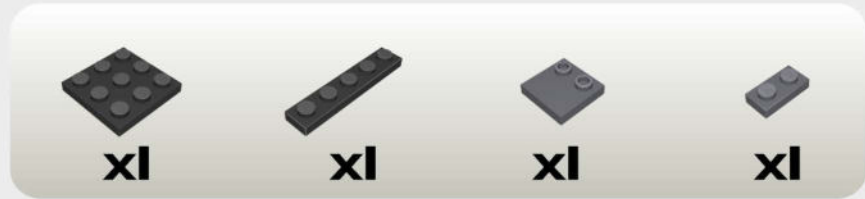


x1

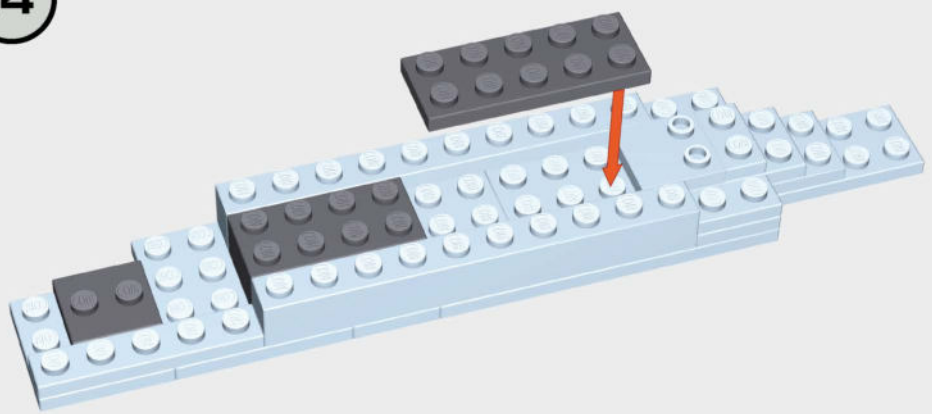
12



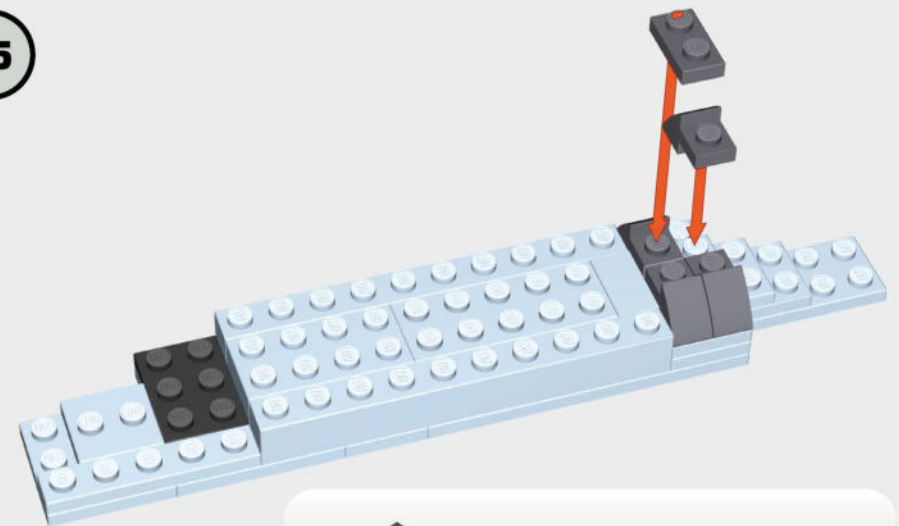
13



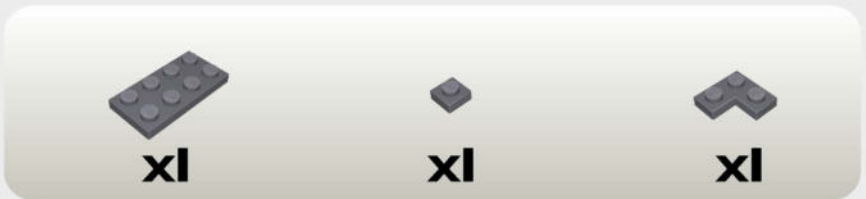
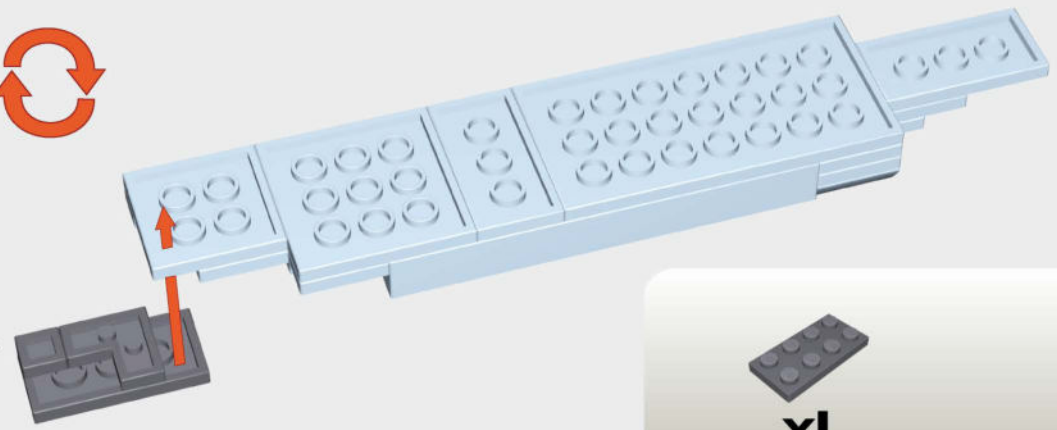
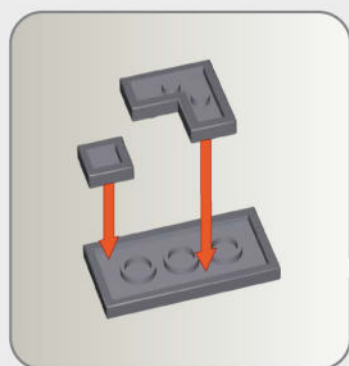
14



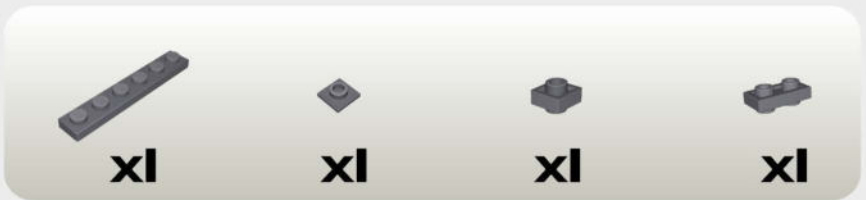
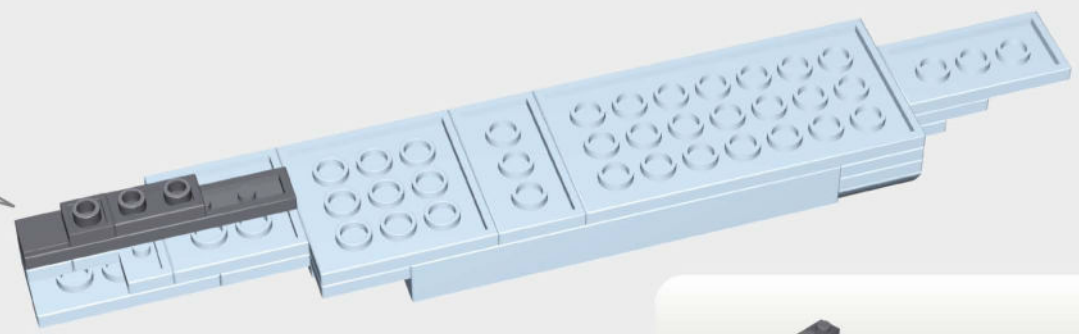
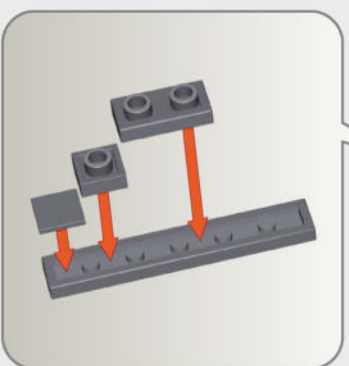
15



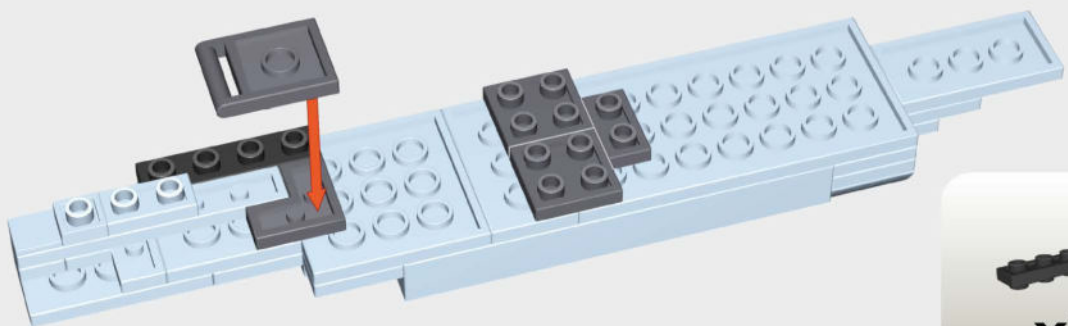
16



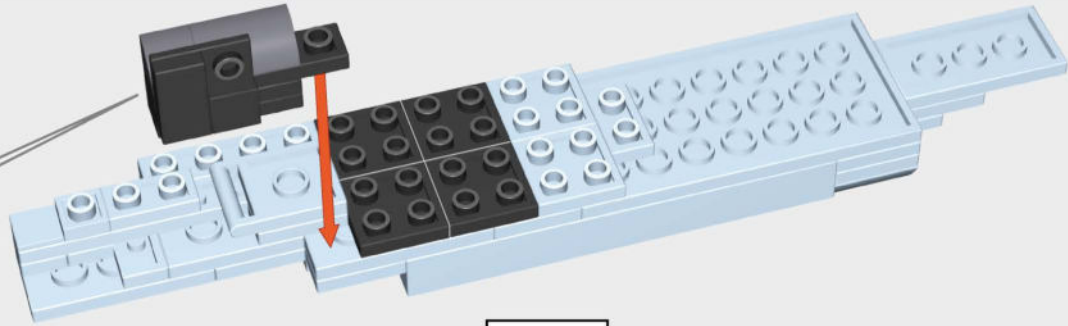
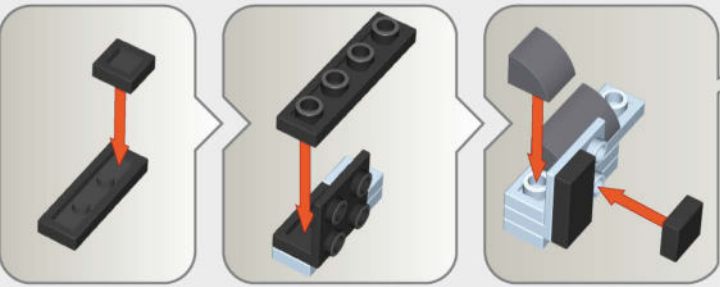
17












18

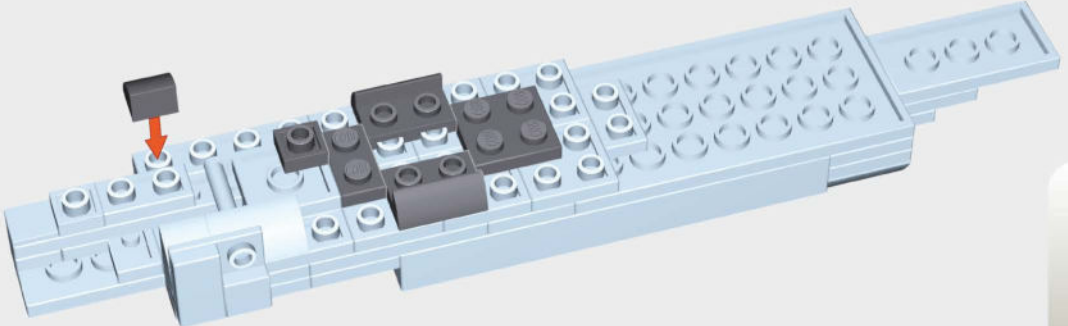



19



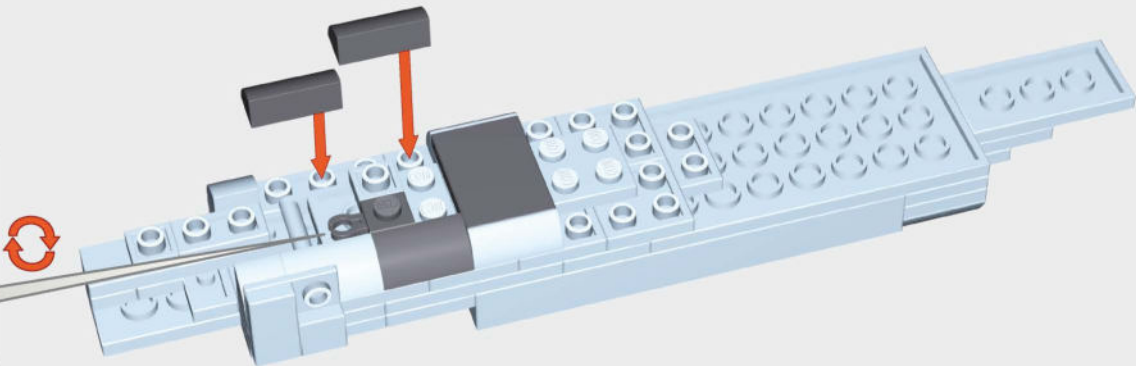
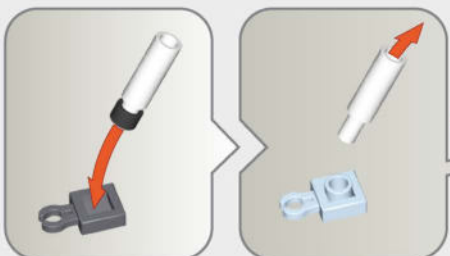
- 1:1
-  x1
  -  x1
  -  x1
  -  x1
  -  x1
  -  x1
  -  x1
  -  x1
  -  x4





20



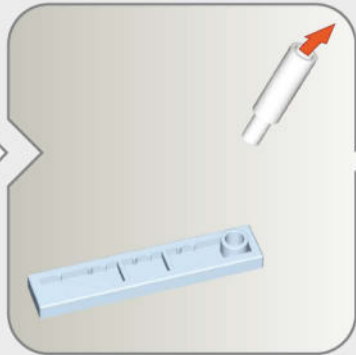
-  x1
-  x1
-  x1
-  x2
-  x1

21



-  x3
-  x1
-  x1
-  x1

22



1:1



x1

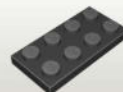
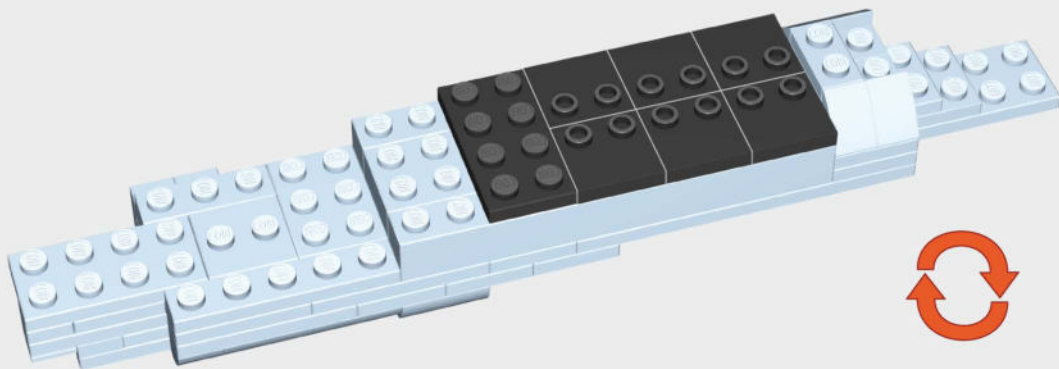


x1



x1

23

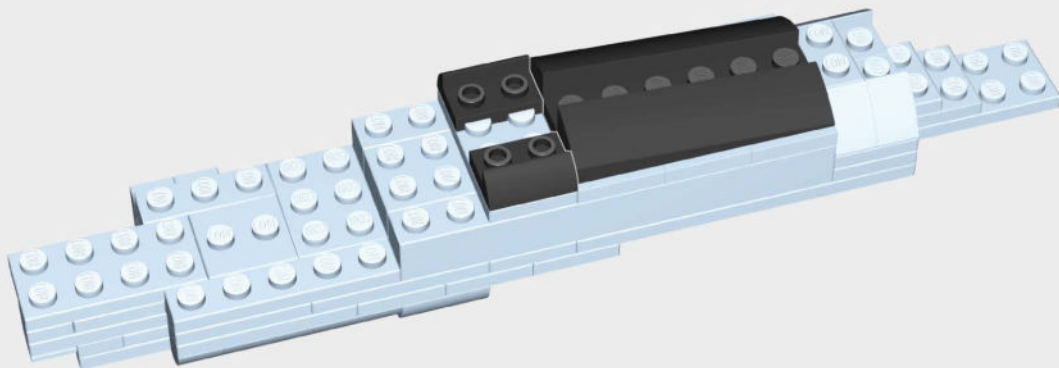


x1



x6

24



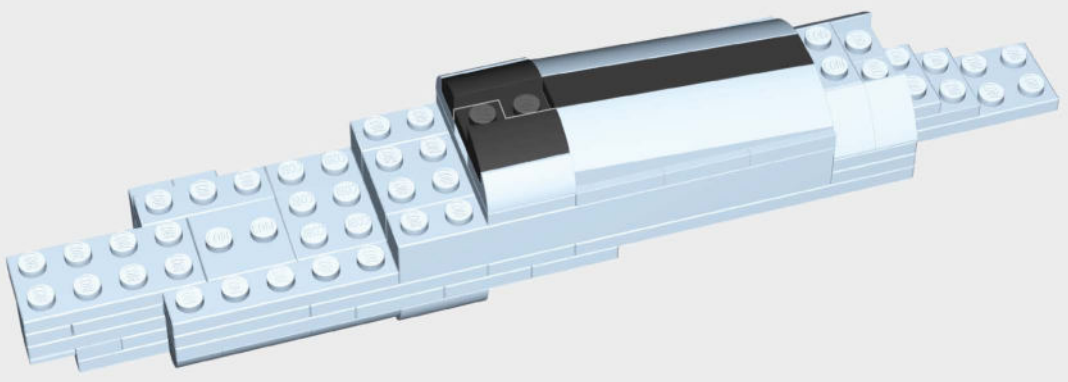
x2



x1

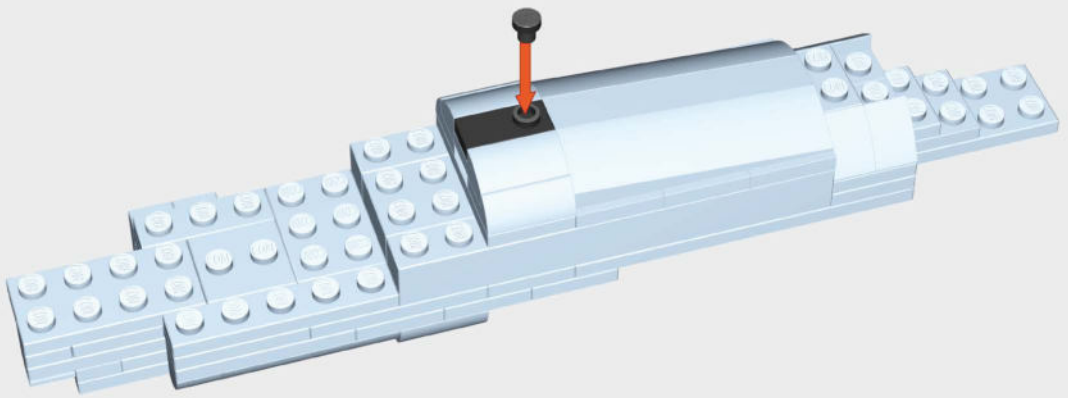


25



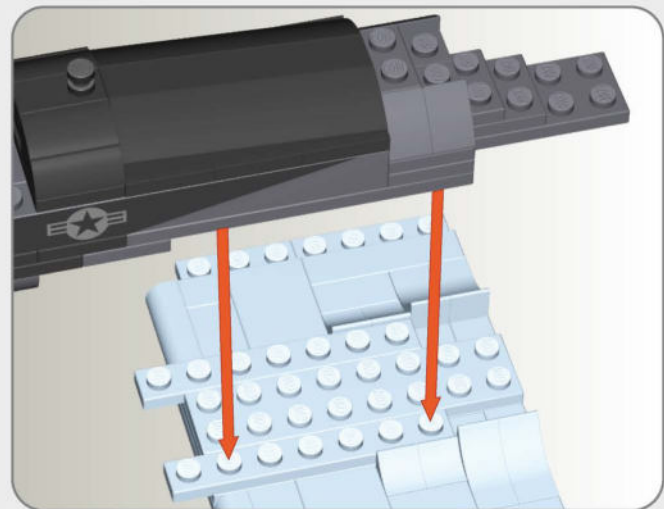
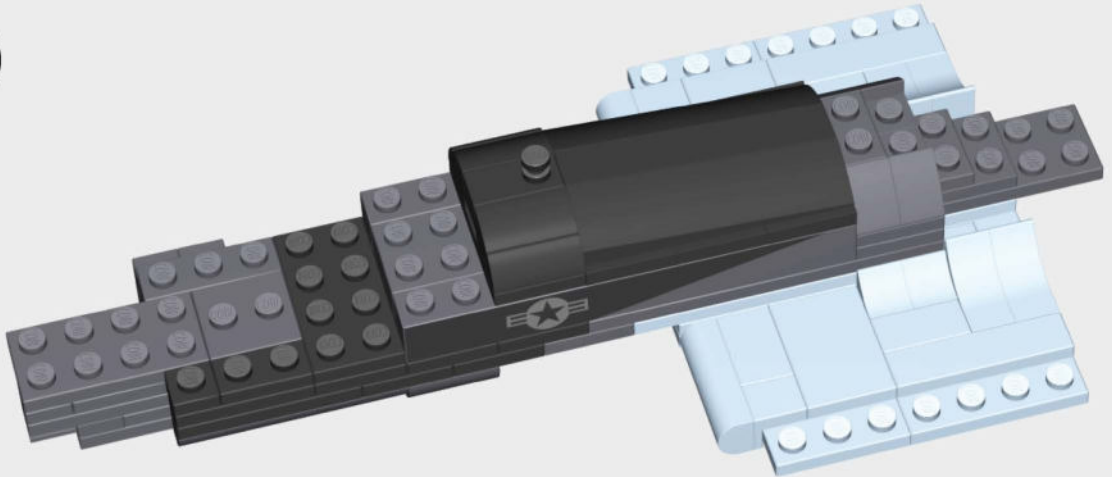
 **x2**
 **x1**

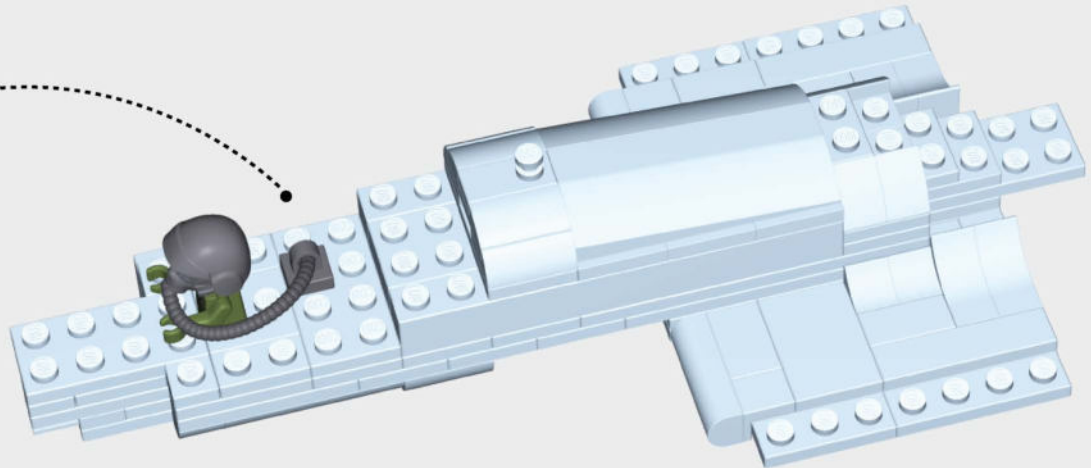
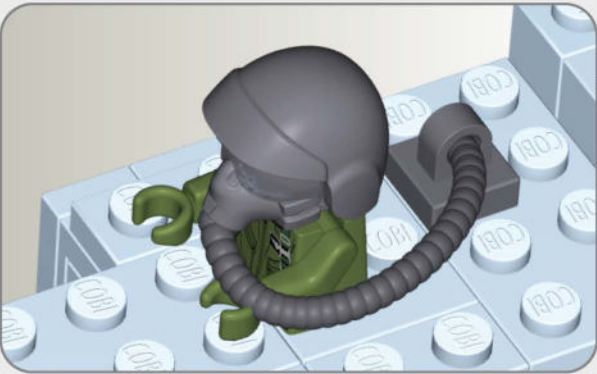
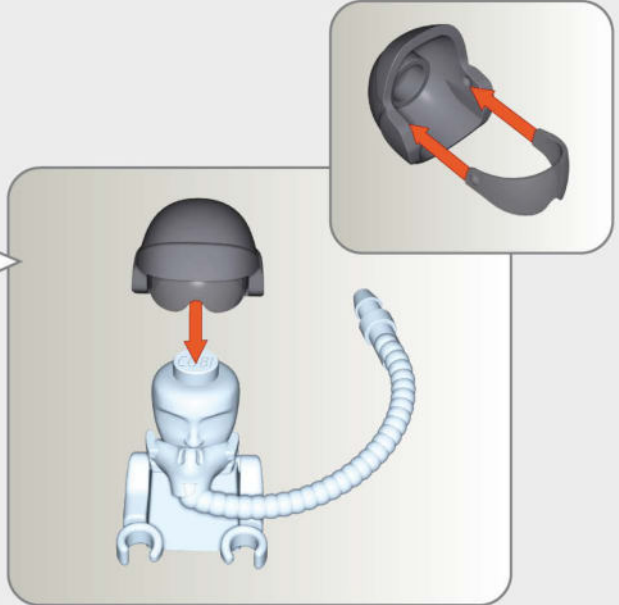
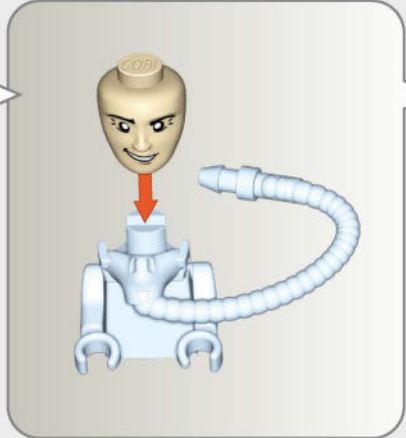
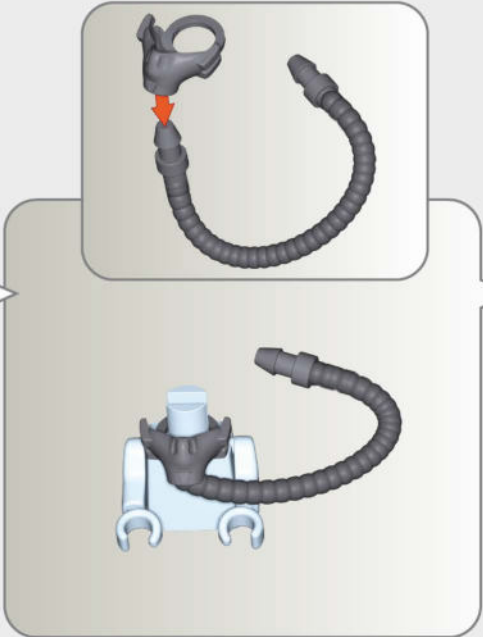
26



 **x1**
 **x1**

27

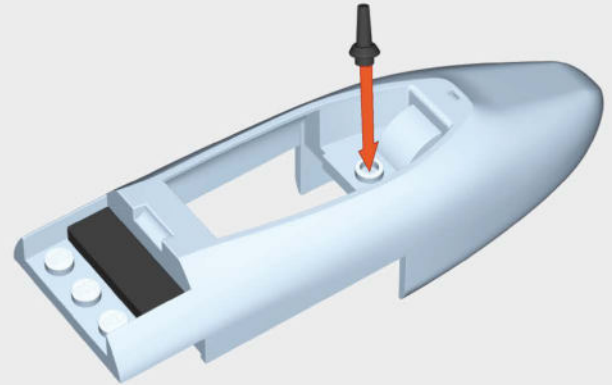




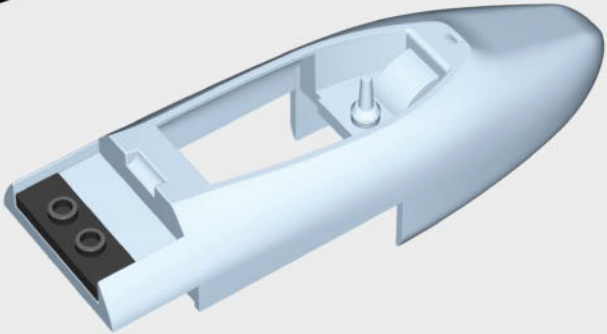
29



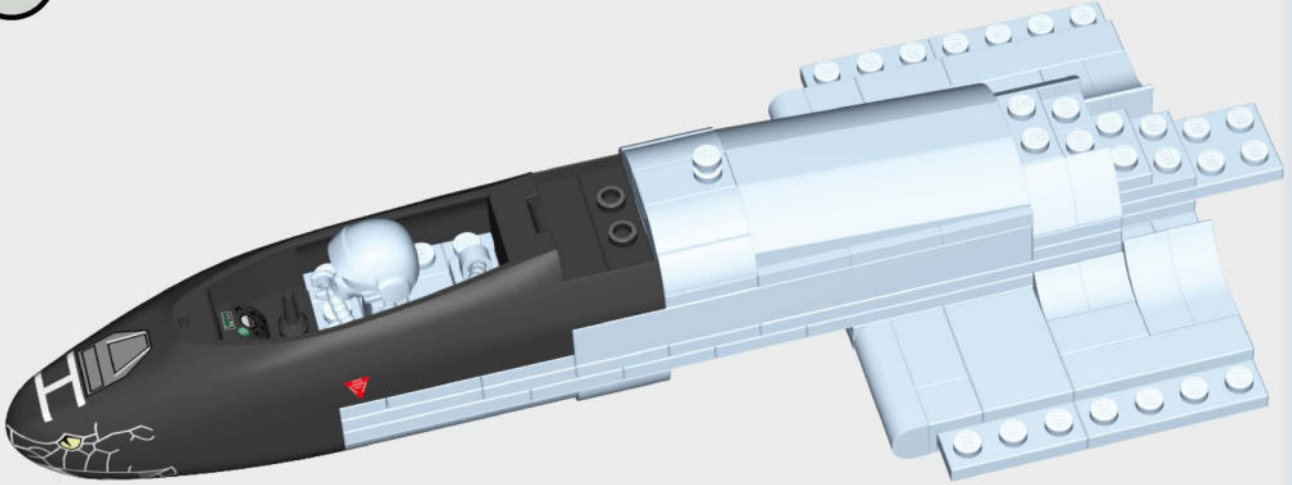
30



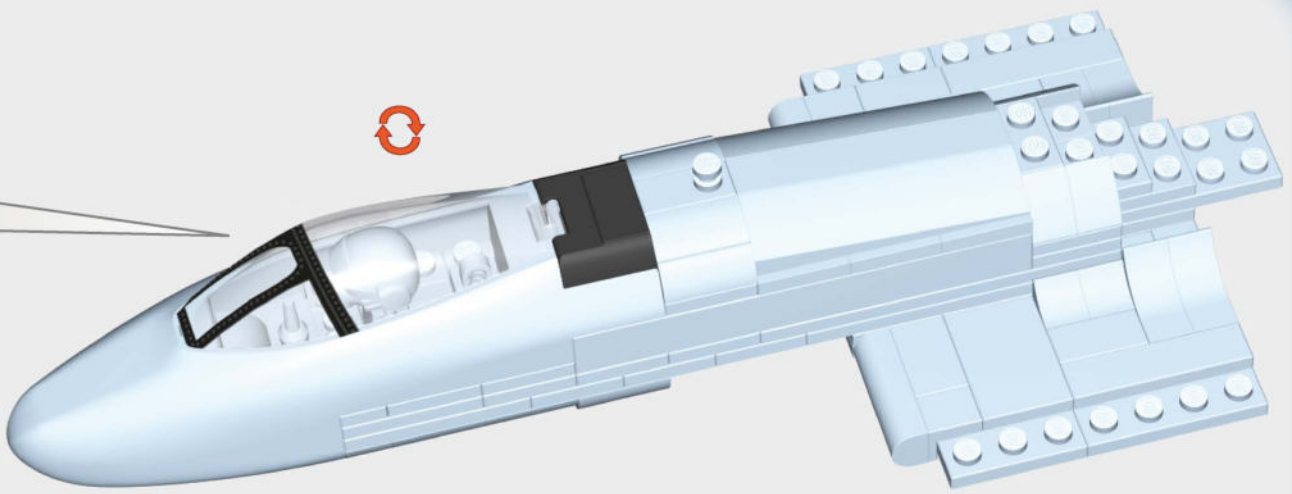
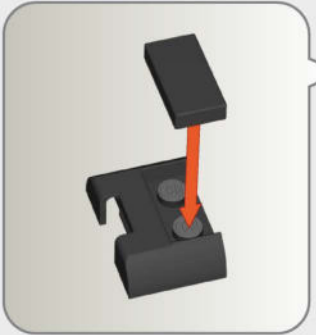
31



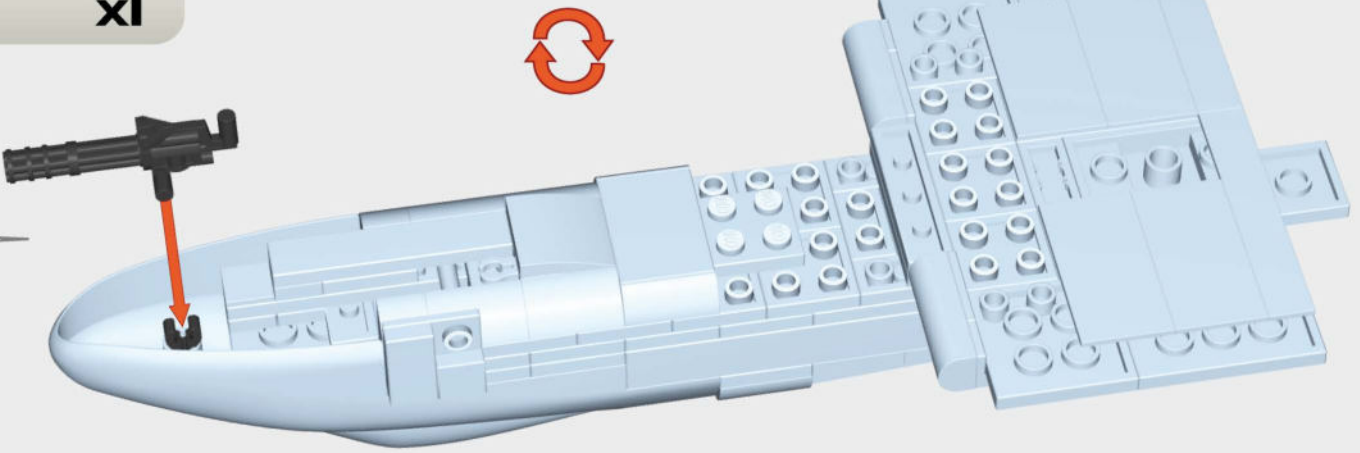
32



33



34



35

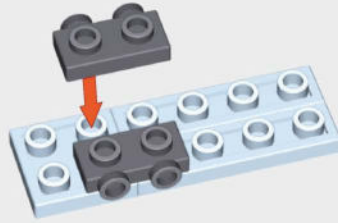


x1



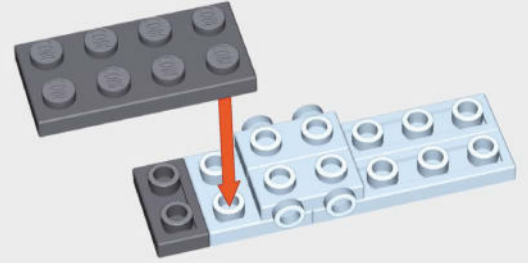
x2

36



x2

37



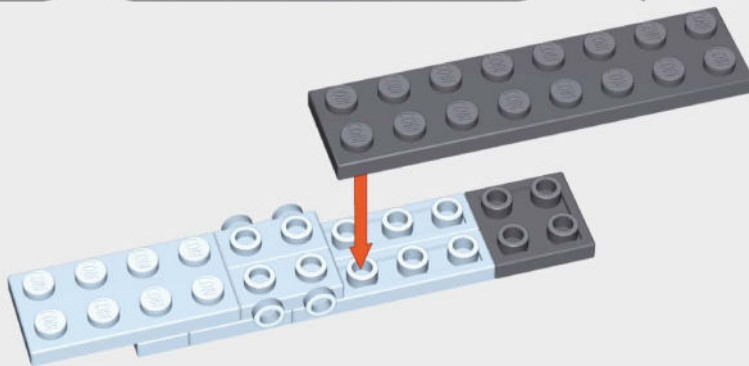
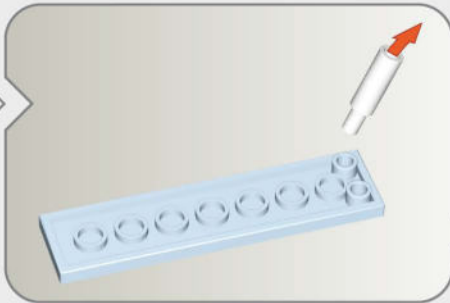
x1



x1

38

39



x1



x1

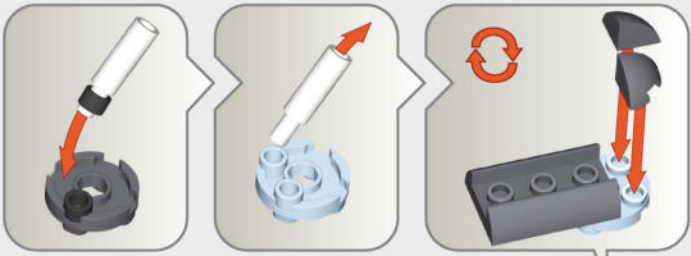


x2



x1

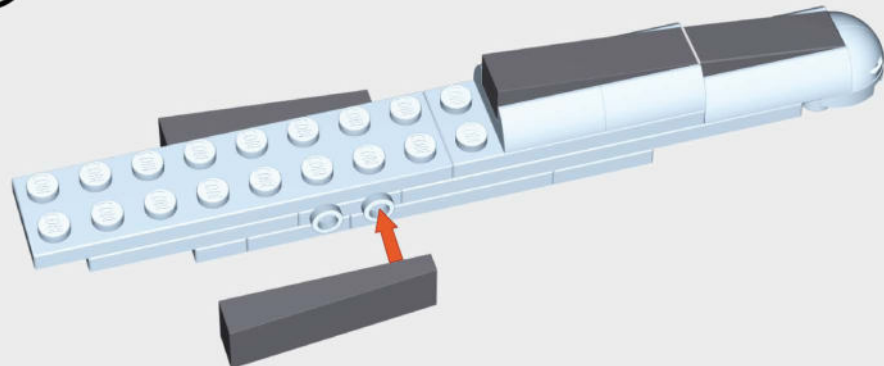
40



41



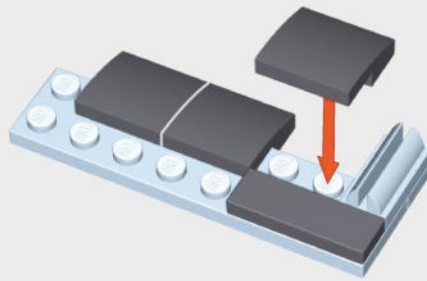
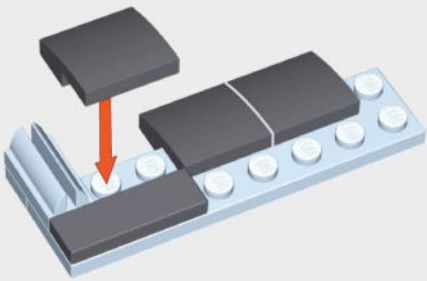
42



43



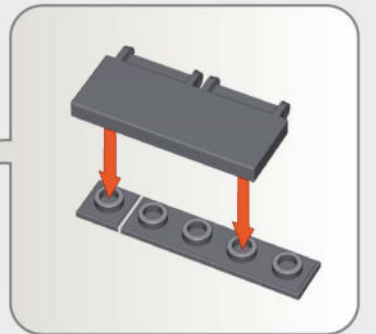
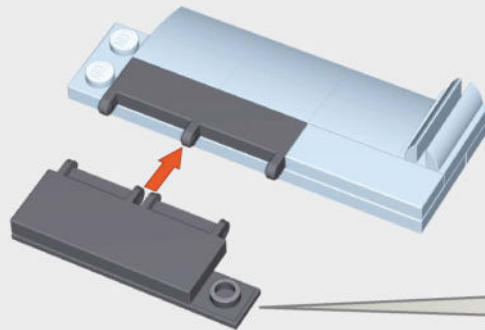
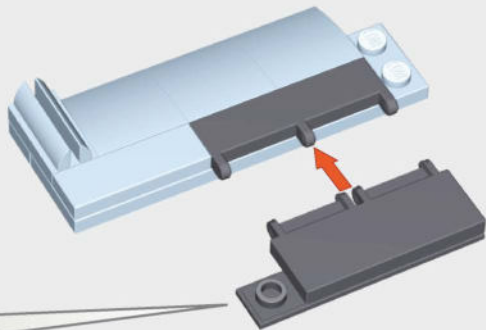
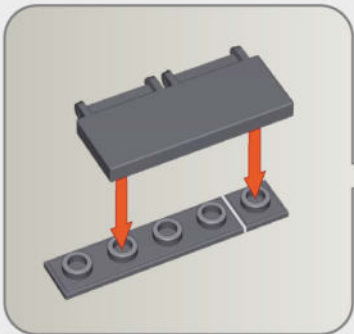
44



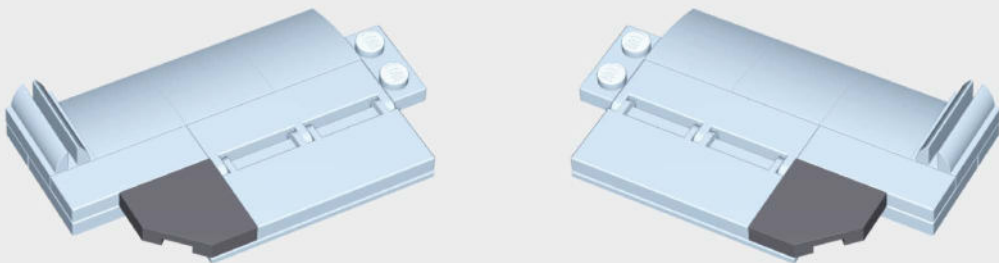
1:1



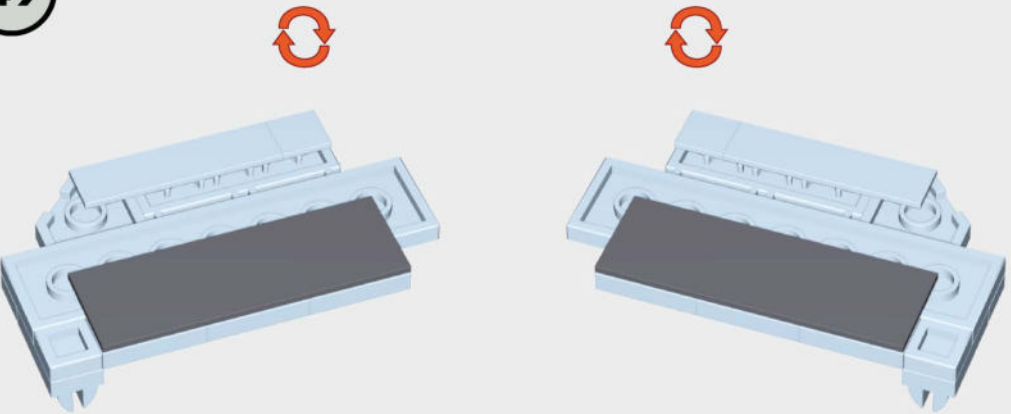
45



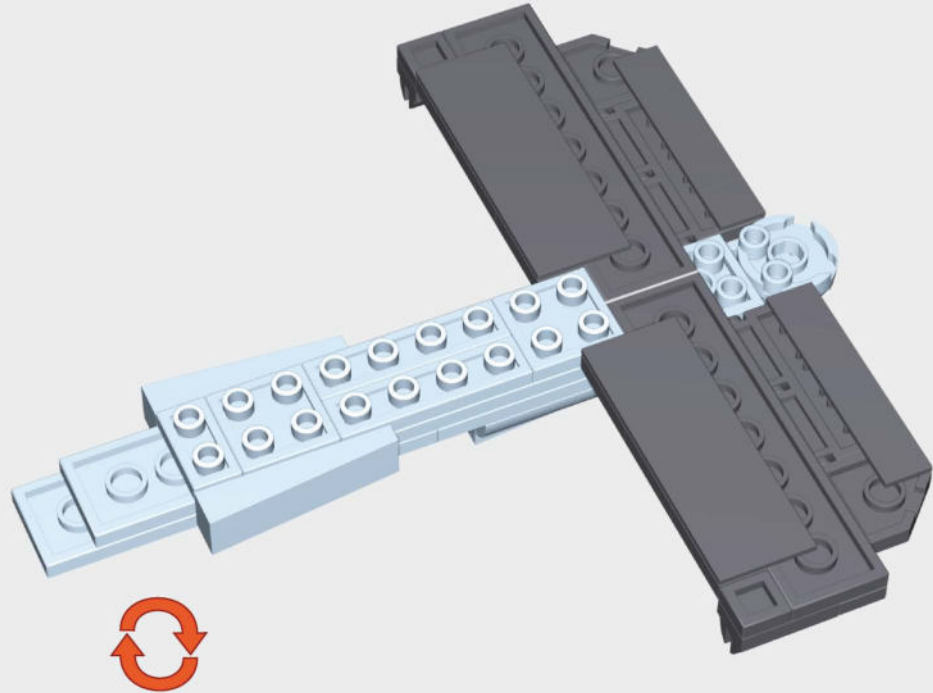
46



47



48





49



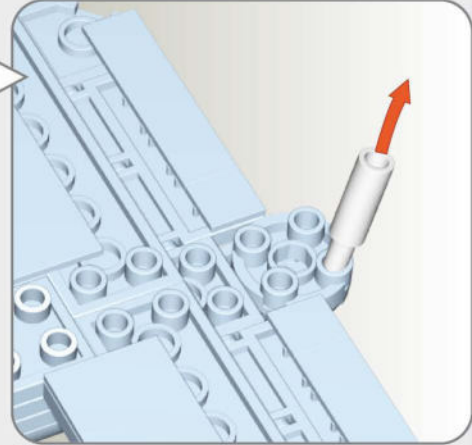
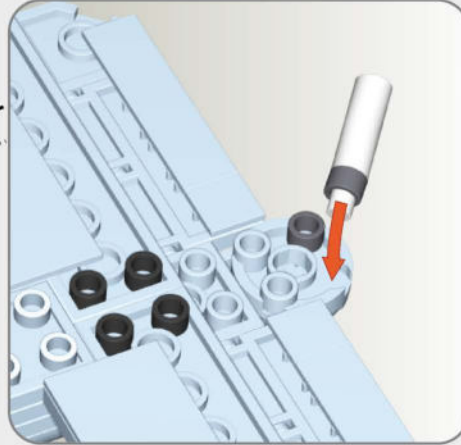
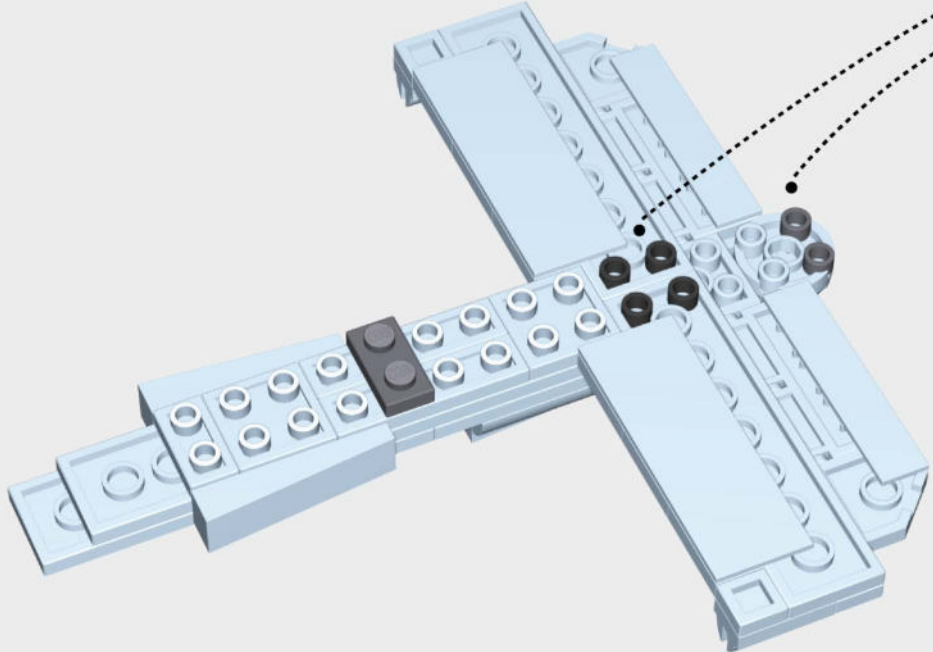
x1



x4



x2



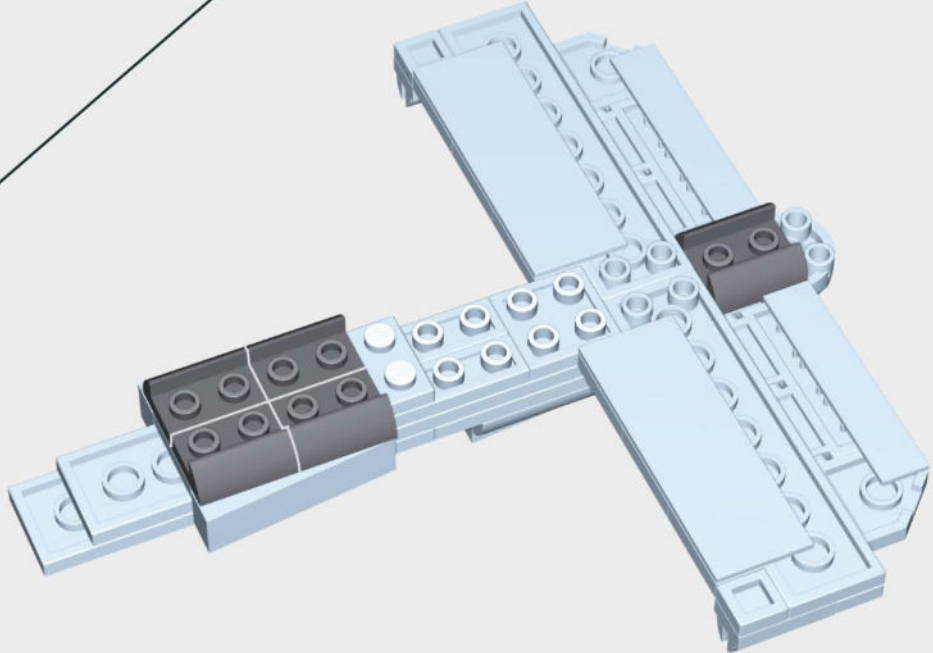
50



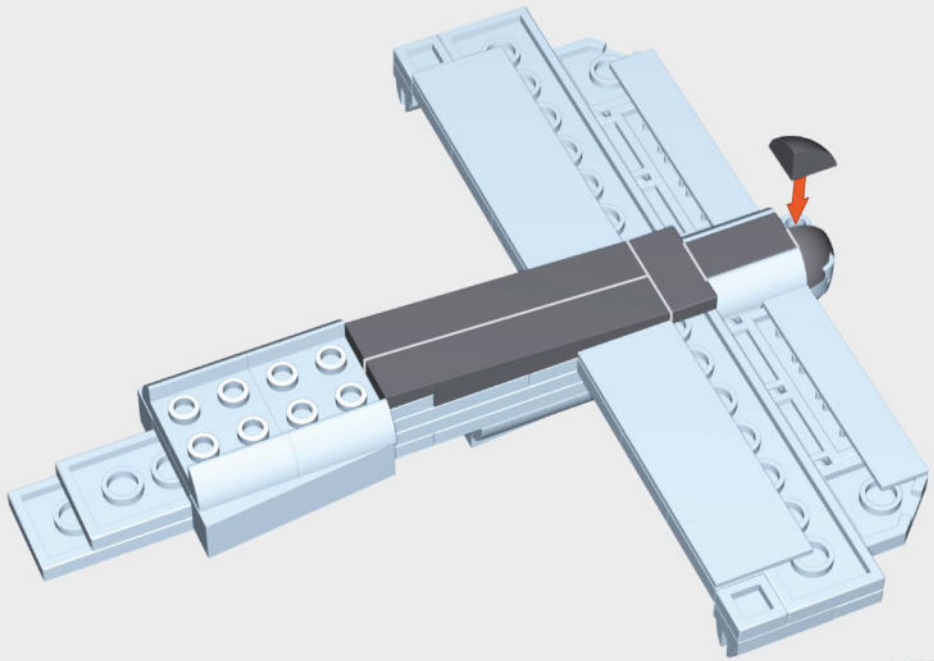
x4



x1



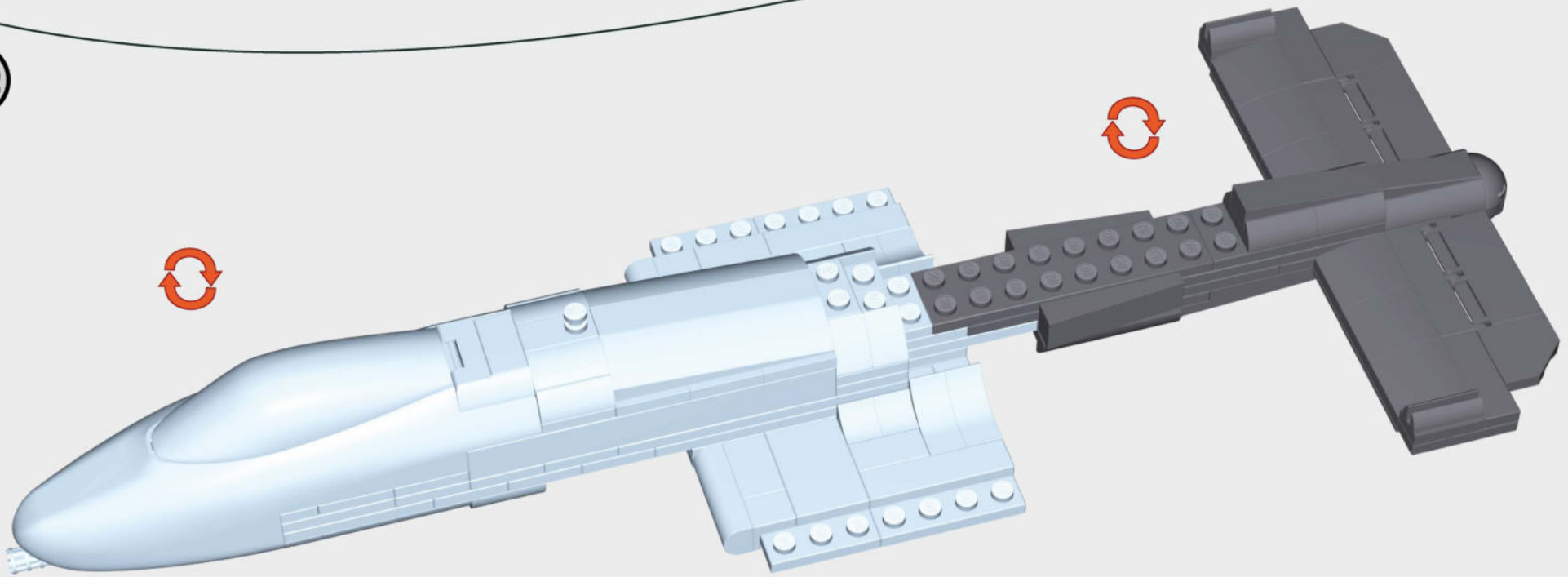
51



1:1

x2 x2 x2

52



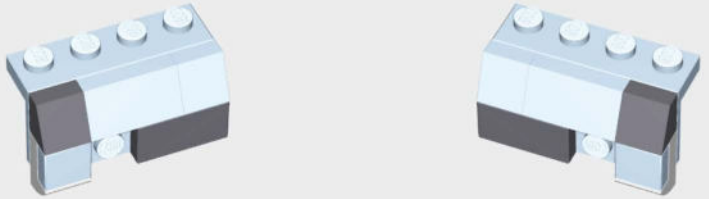
53



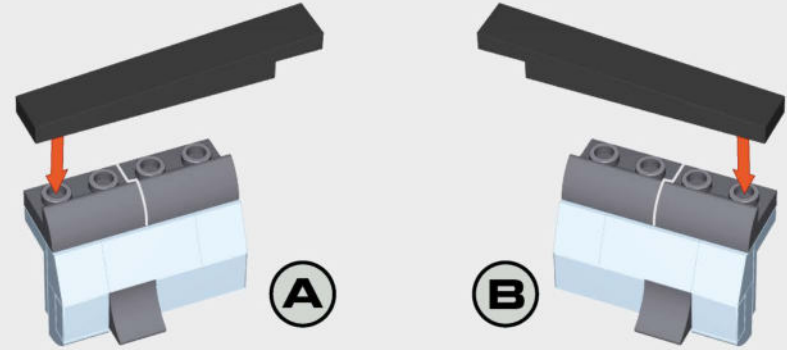
54



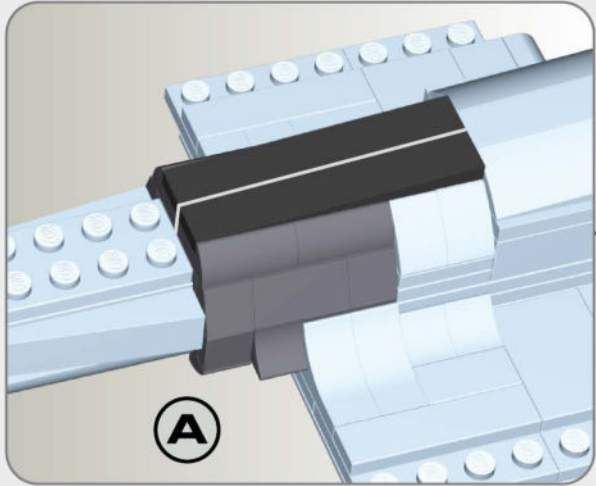
55



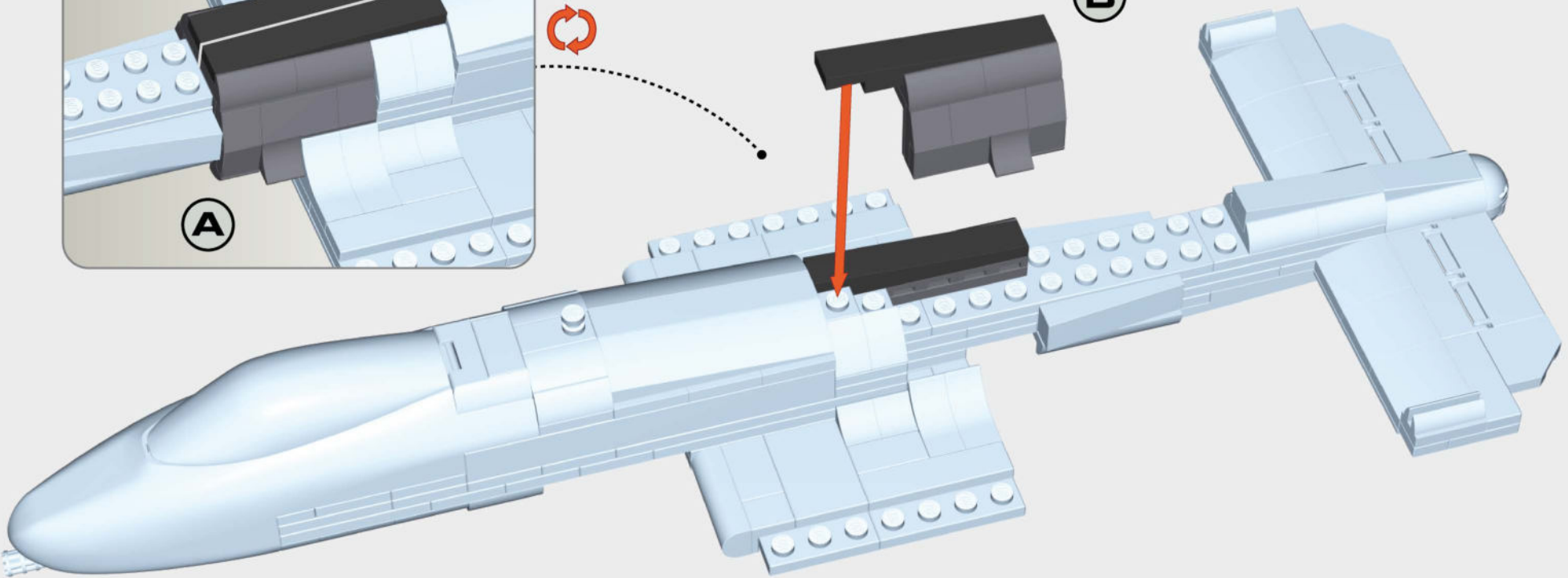
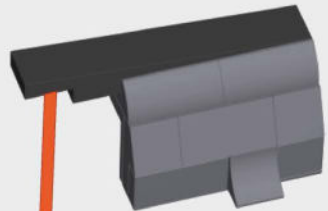
56



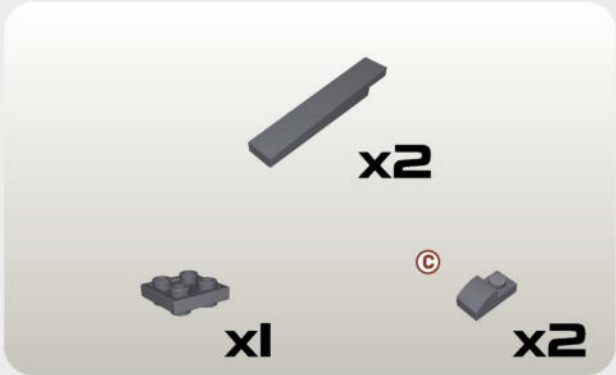
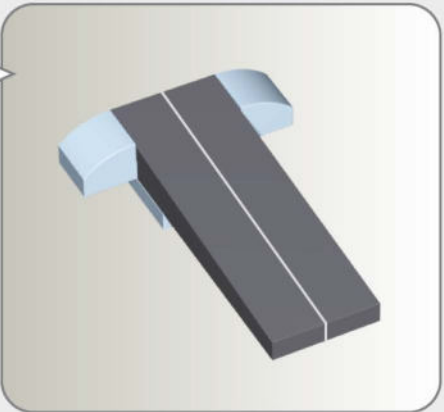
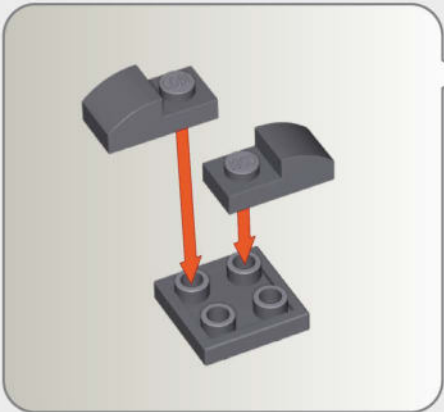
57



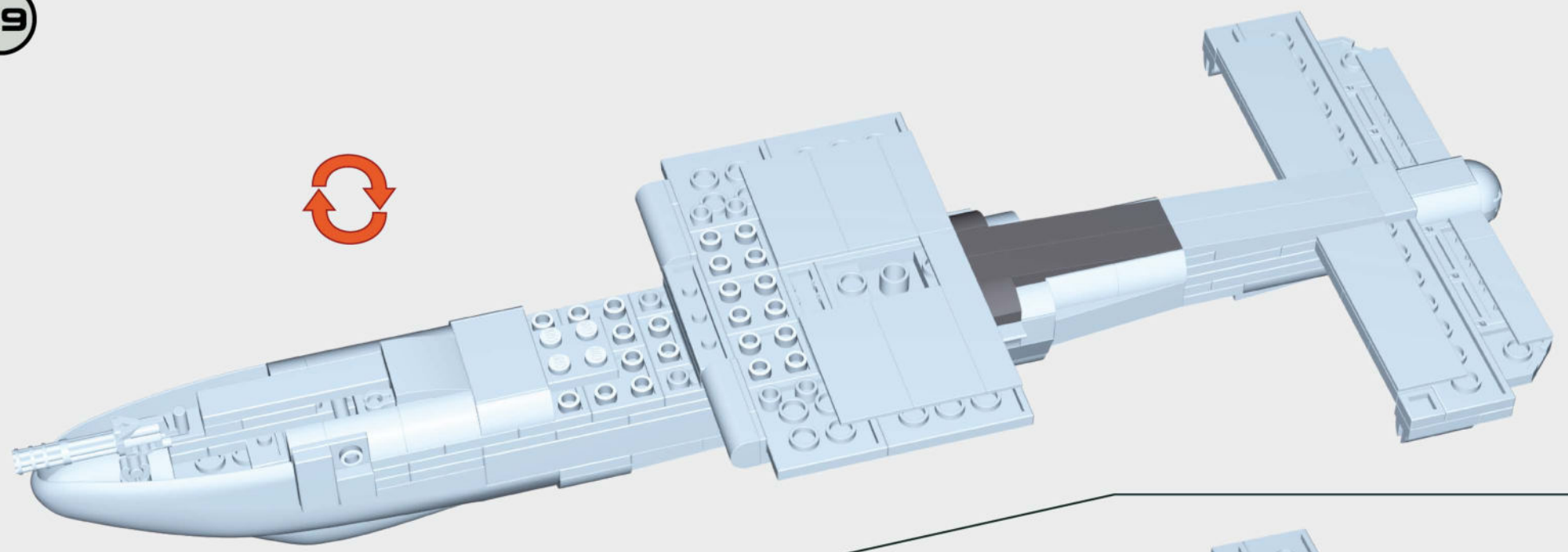
B



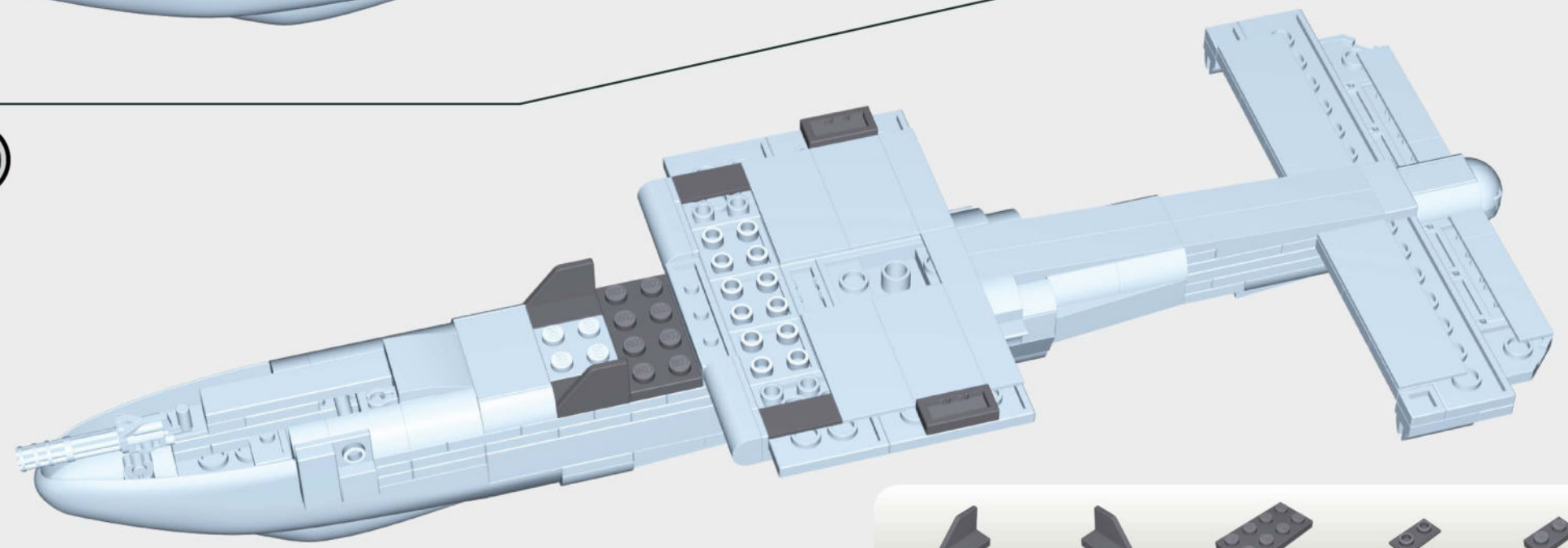
58



59

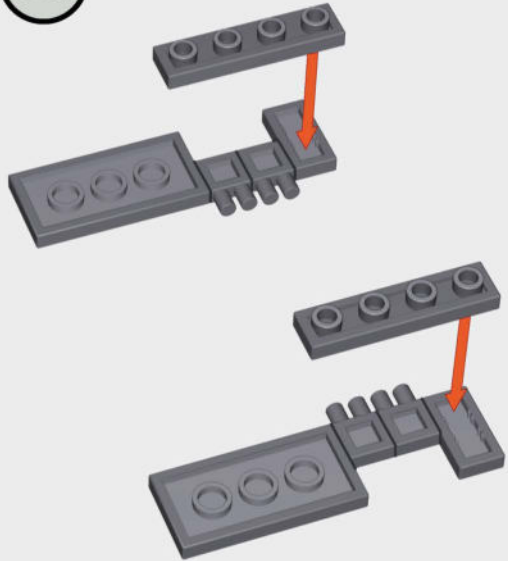


60



-  x1
-  x1
-  x1
-  x2
-  x2

61



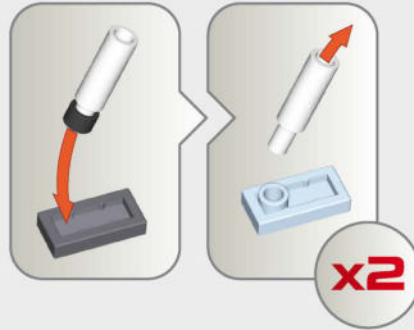
 x2

 x4

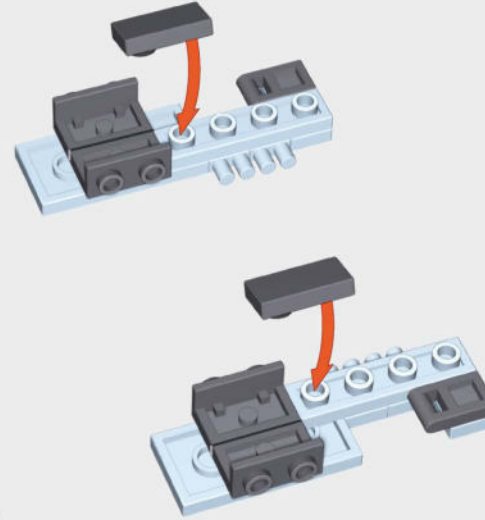
 x2

 x2

62



x2



1:1

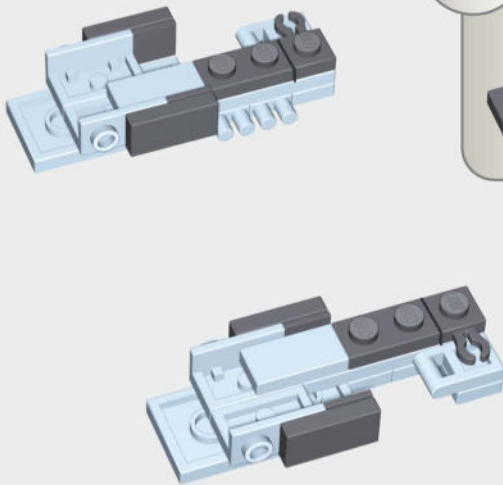
 x4

 x2

 x2

 x2

63



x4

1:1

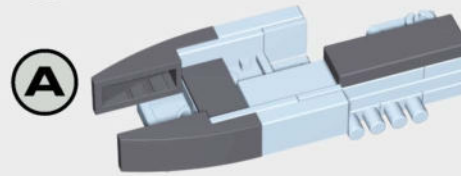
 x4

 x4

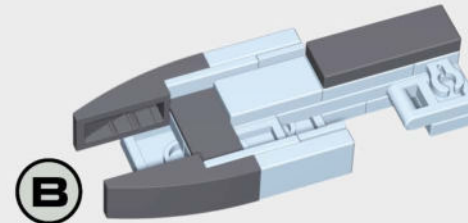
 x2

 x2

64



A



B

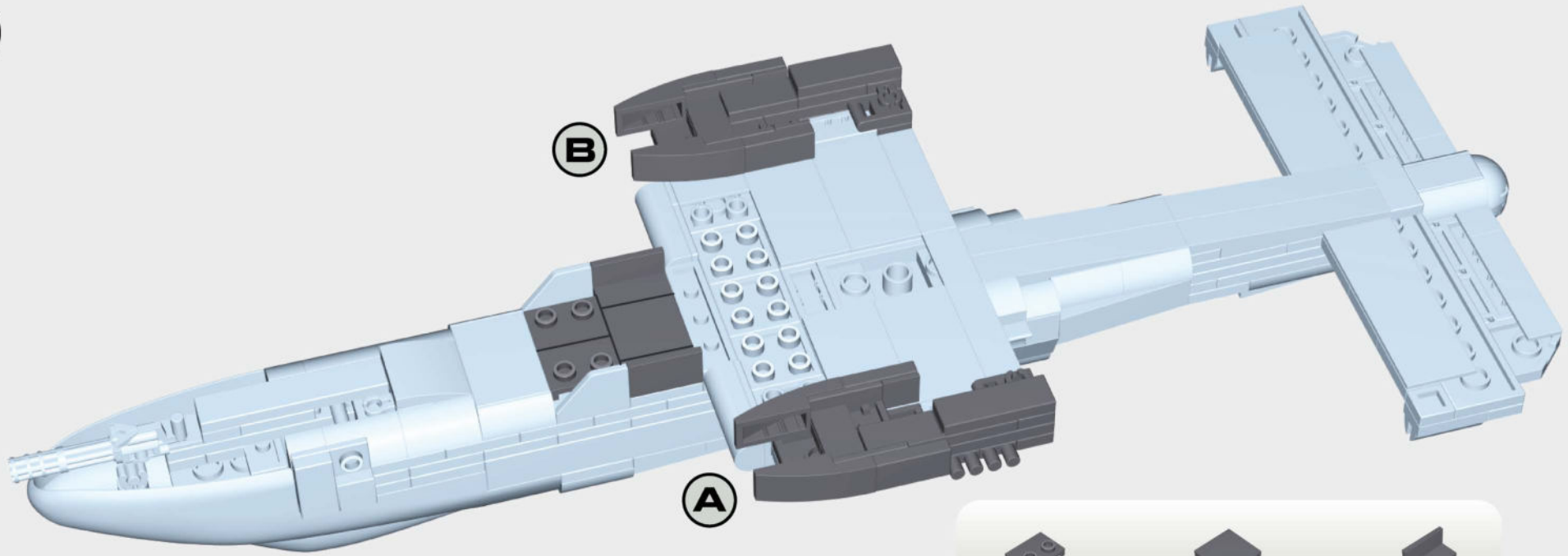
1:1

 x4

 x2

 x2

65

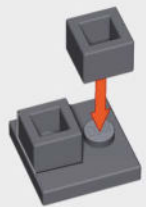


-   
**x2**
-   
**x1**
-   
**x2**



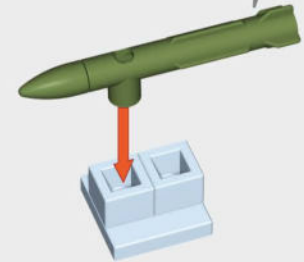
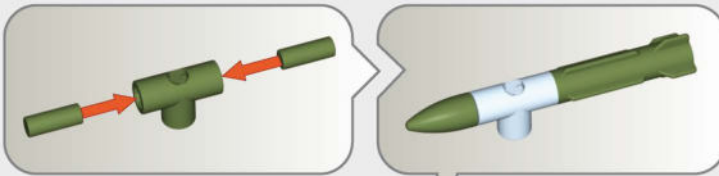
66

66 □ 67 x4




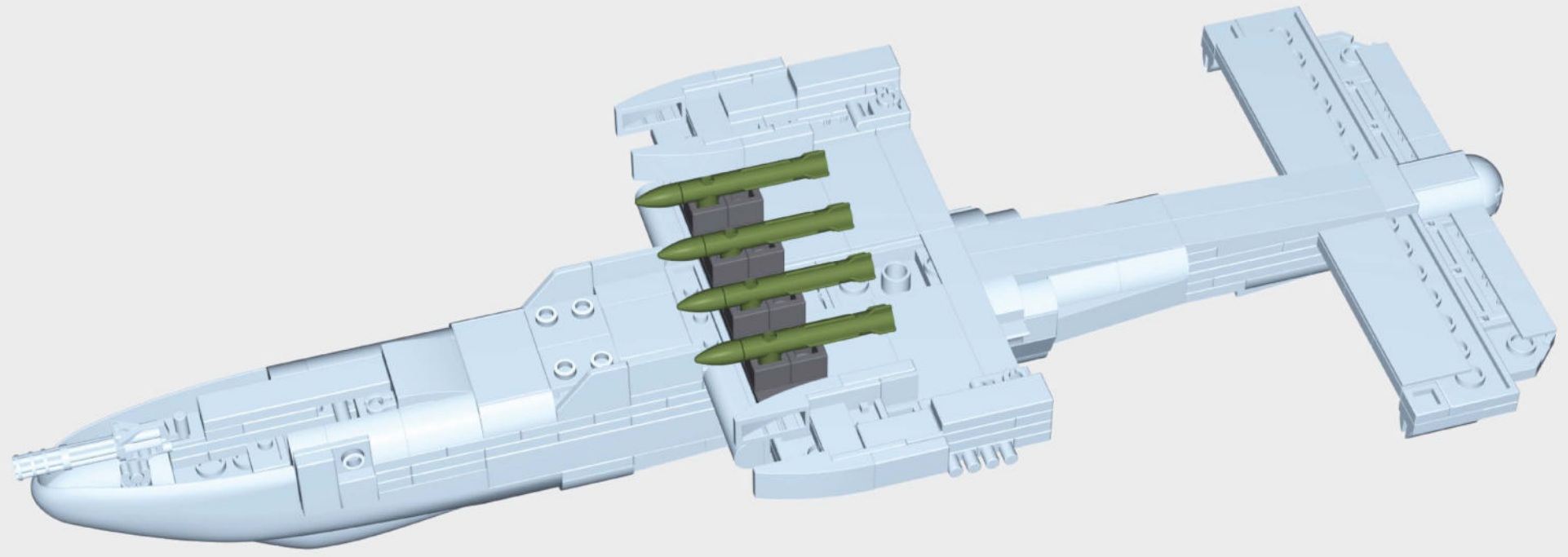
-   
**x1**
-   
**x2**

67

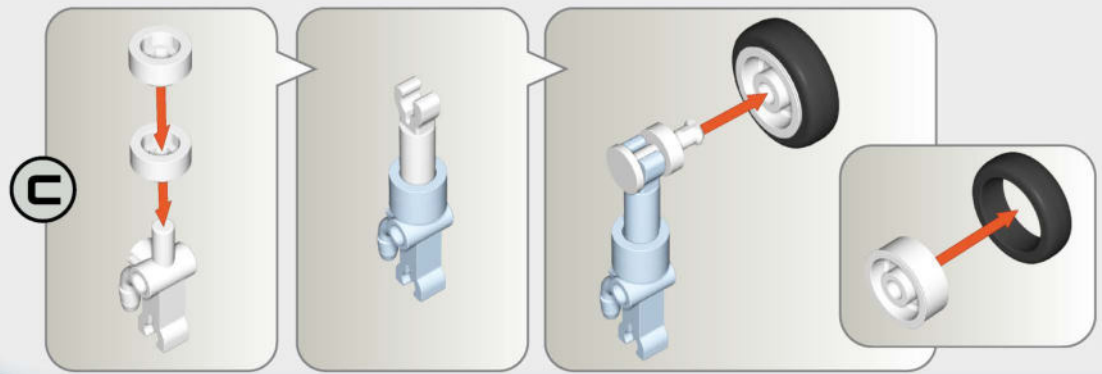
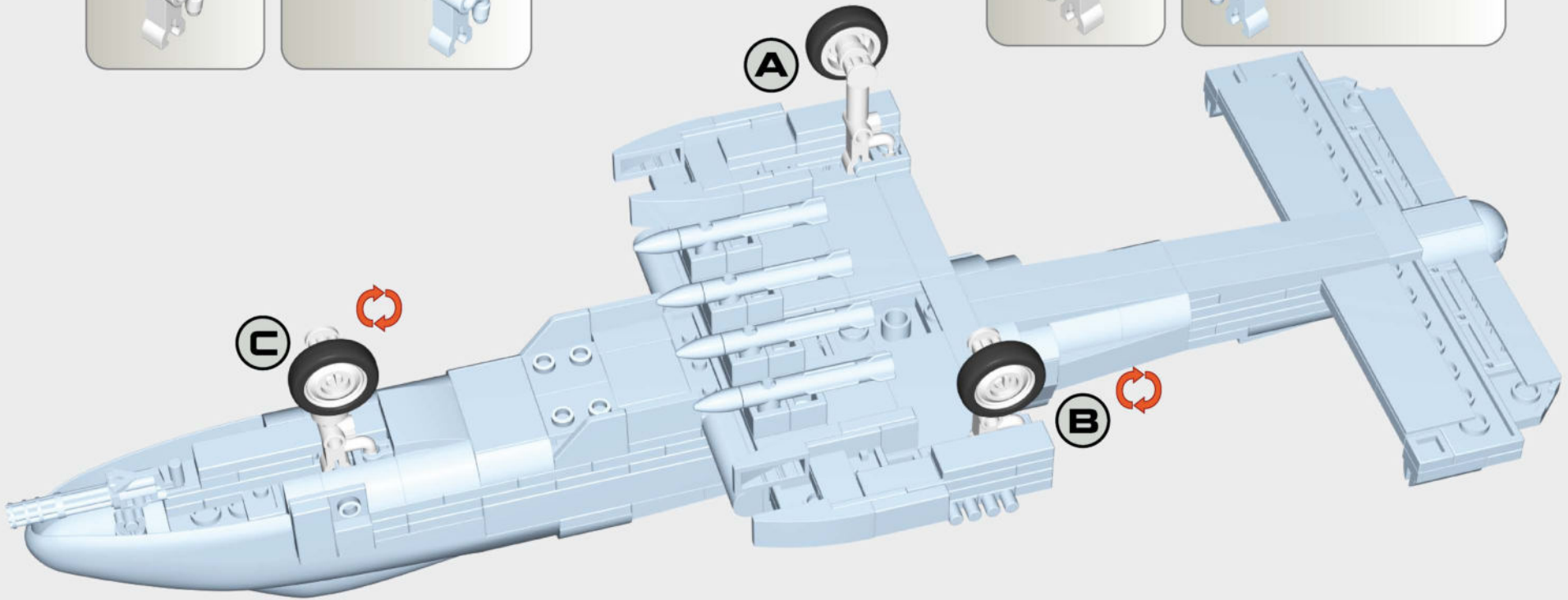
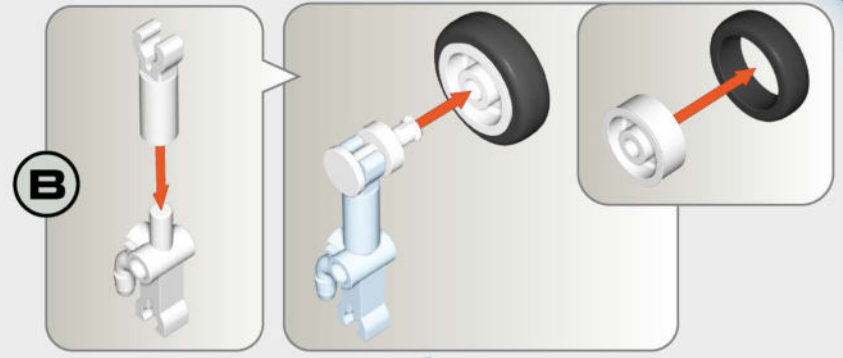
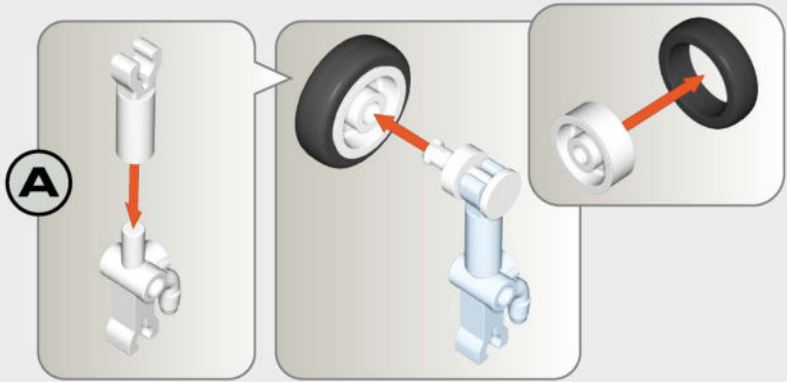


1:1

-   
**x2**
-   
**x1**
-   
**x1**
-   
**x1**

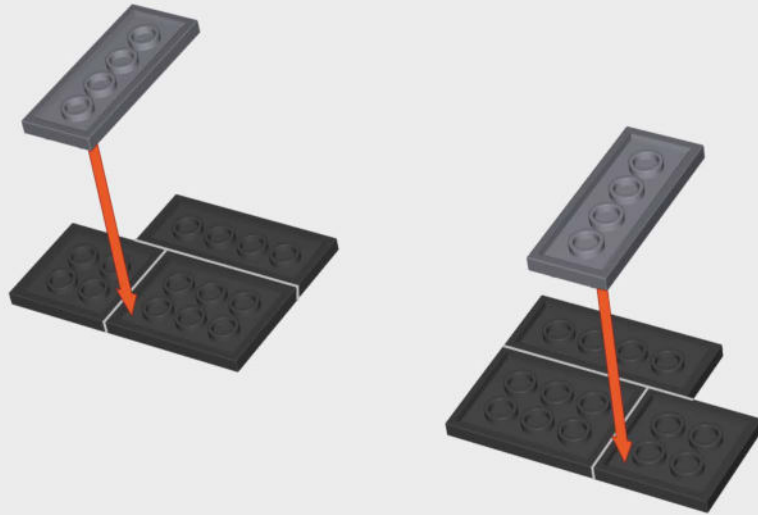






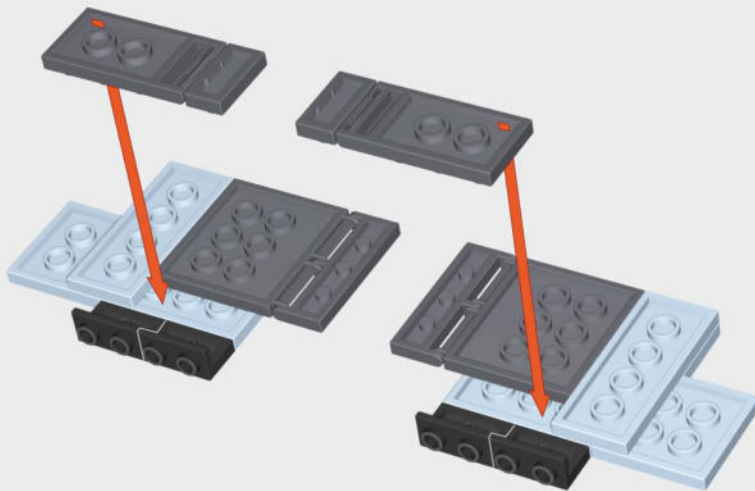
- |   |   |   |
|---|---|---|
|  |  |  |
| <b>x3</b>   | <b>x3</b>   | <b>x3</b>   |
|  |  |  |
| <b>x3</b>   | <b>x3</b>   | <b>x2</b>   |

70



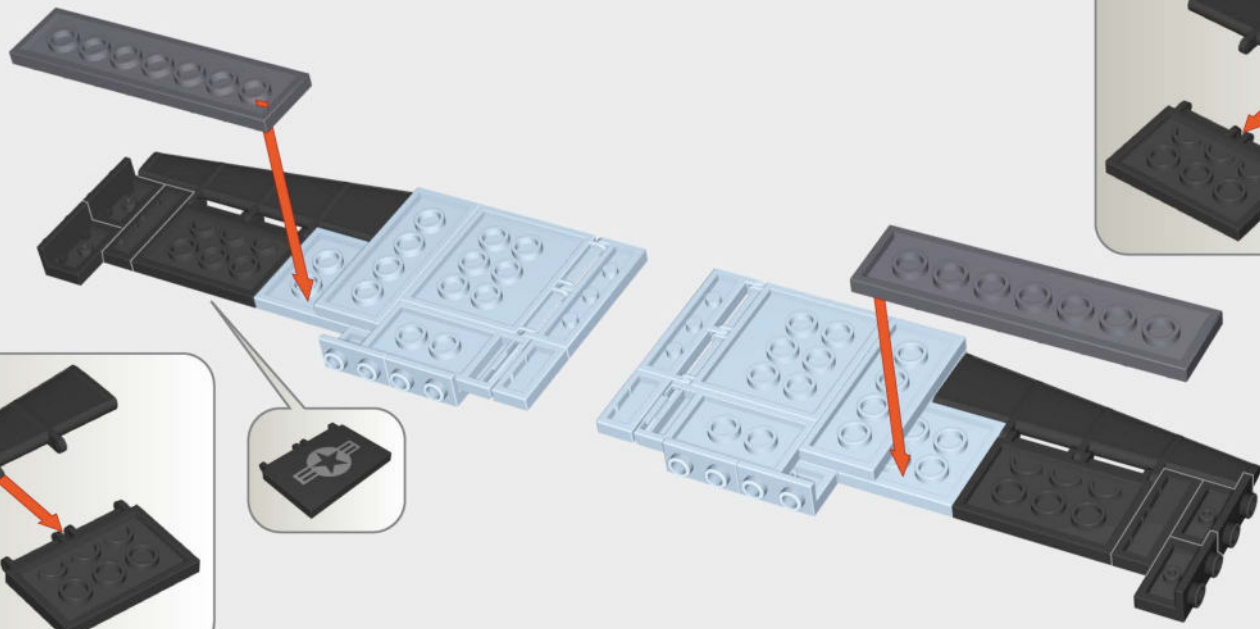
-  x2
-  x2
-  x2
-  x2

71









-  x4
-  x2
-  x2
-  x2
-  x2

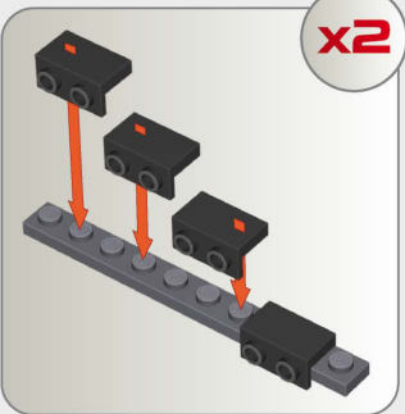
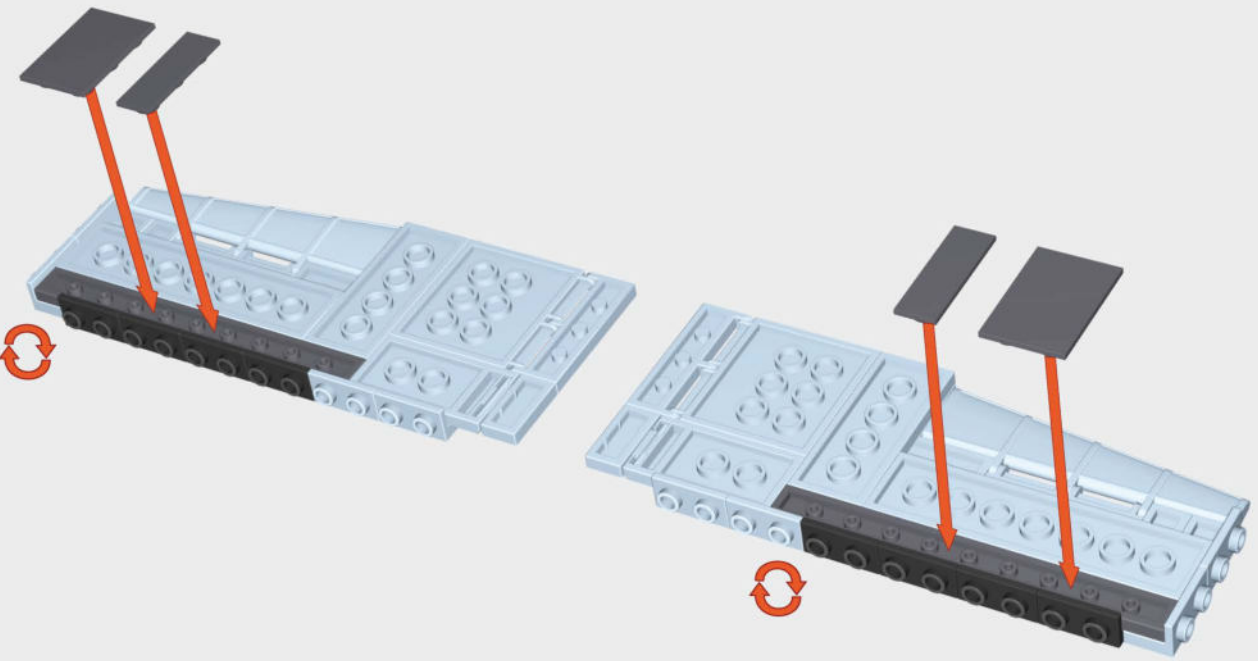
72



1:1

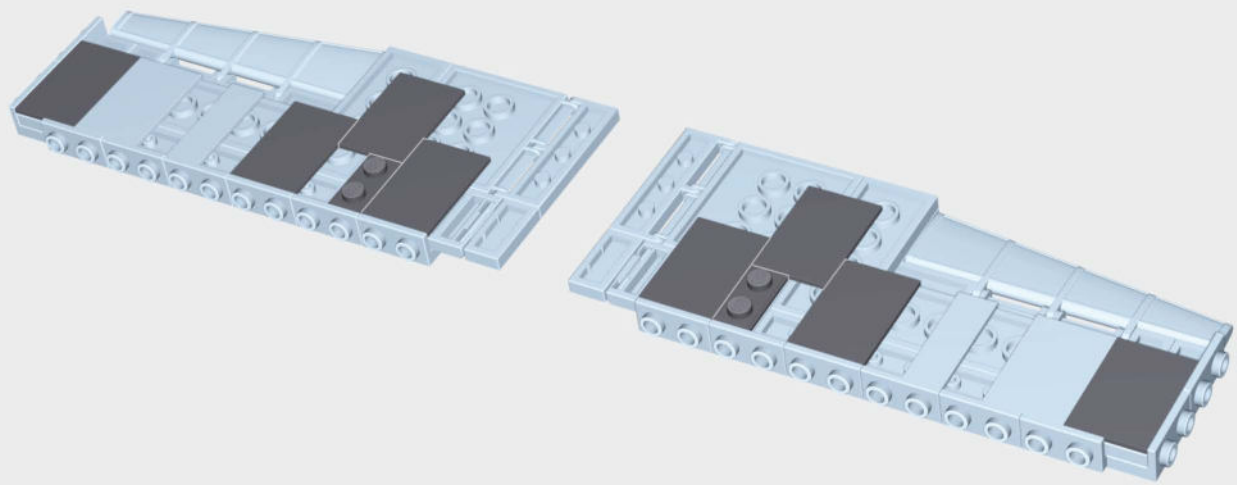
-  x4
-  x2
-  x1
-  x1
-  x2
-  x2

73



-  x2
-  x8
-  x2
-  x2

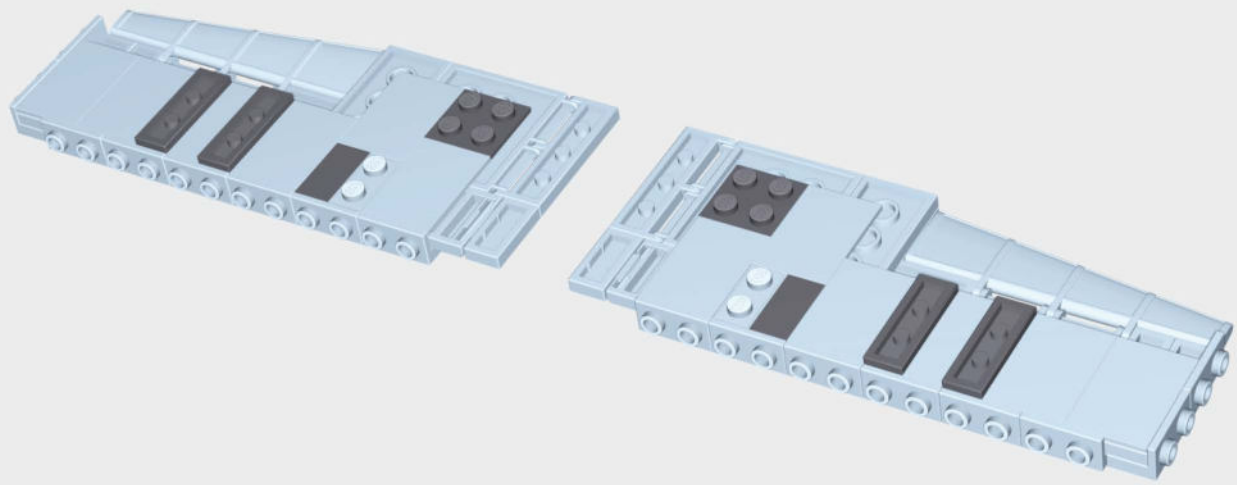
74



 x8

 x2

75

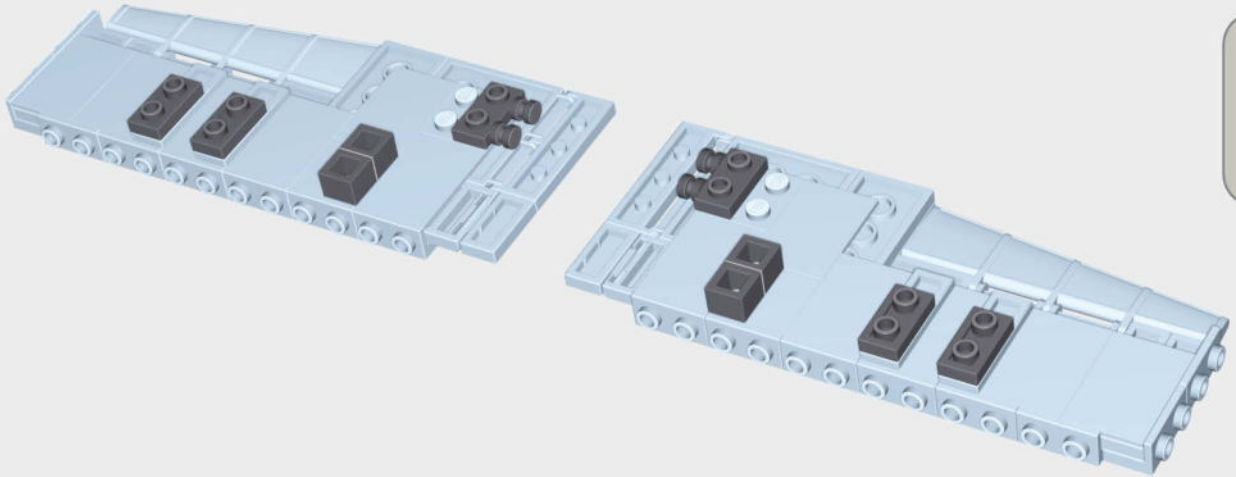


 x4

 x2

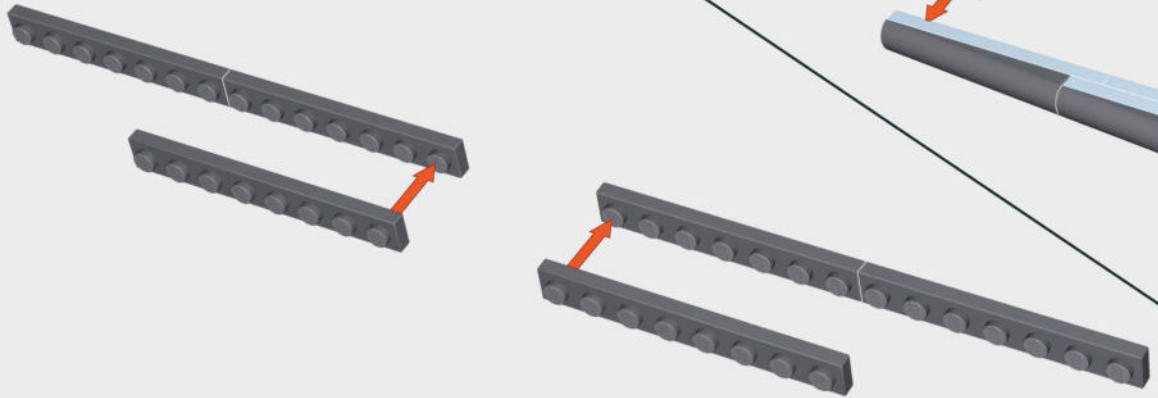
 x2

76



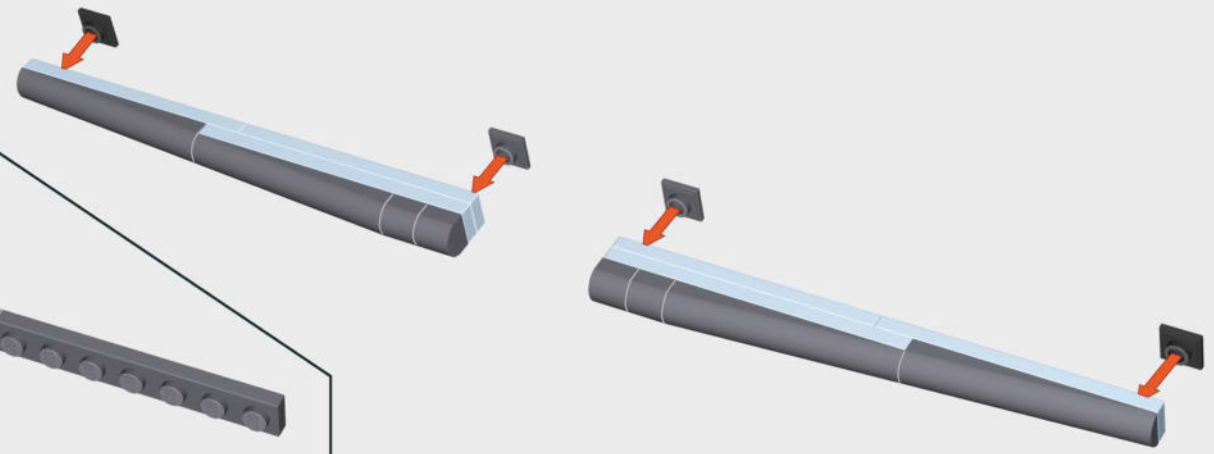
-  x4
-  x4
-  x2
-  x4

77



-  x4
-  x2

78

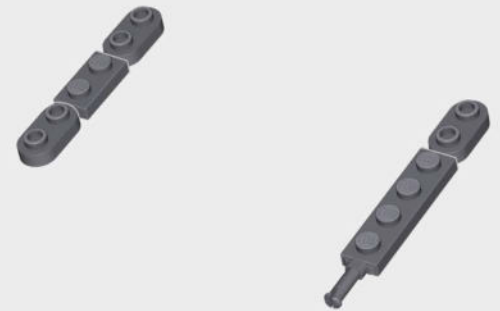


-  x4
-  x4
-  x2
-  x2

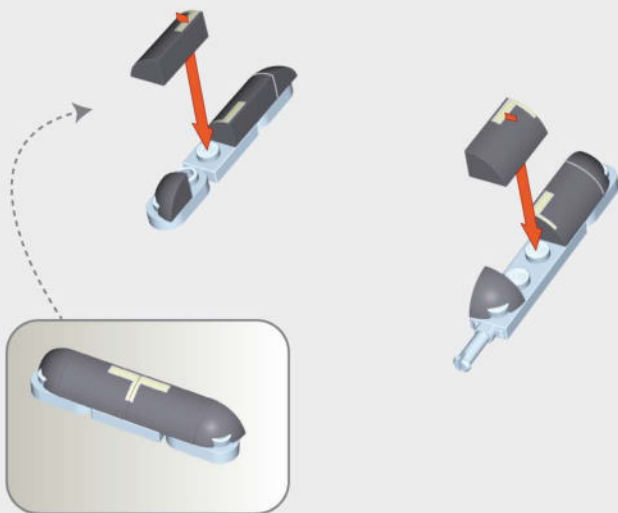
79



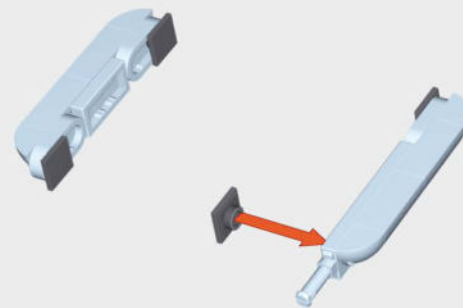
80



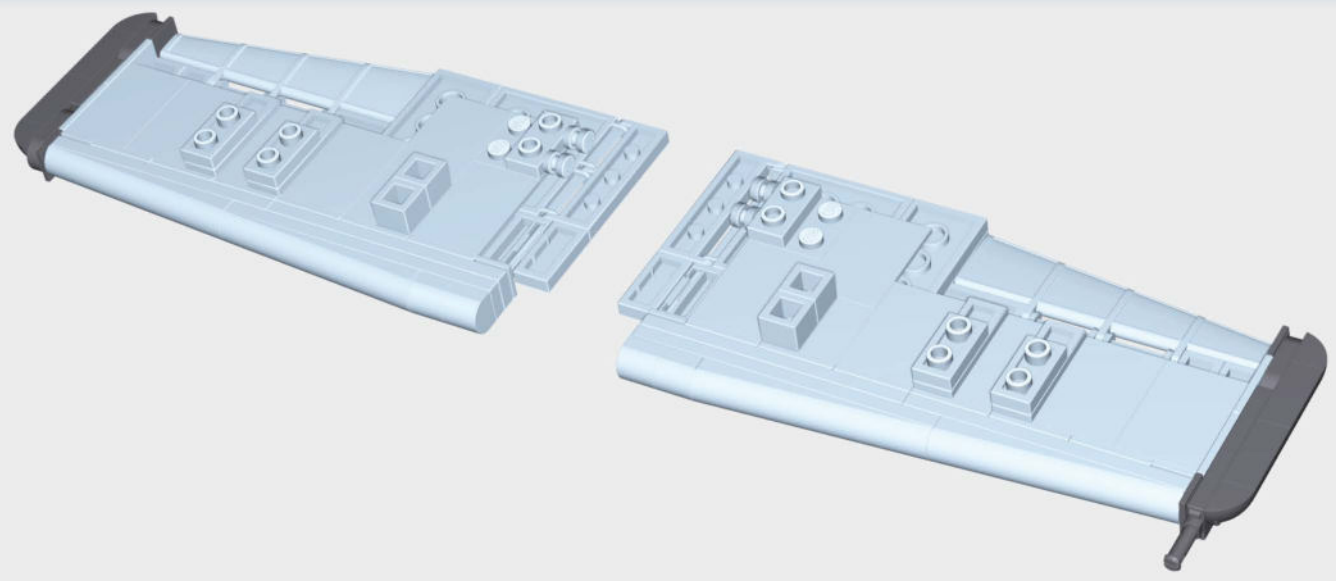
81



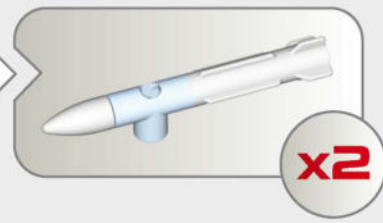
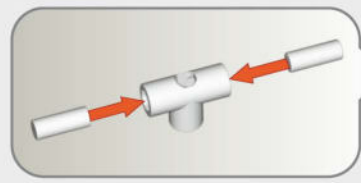
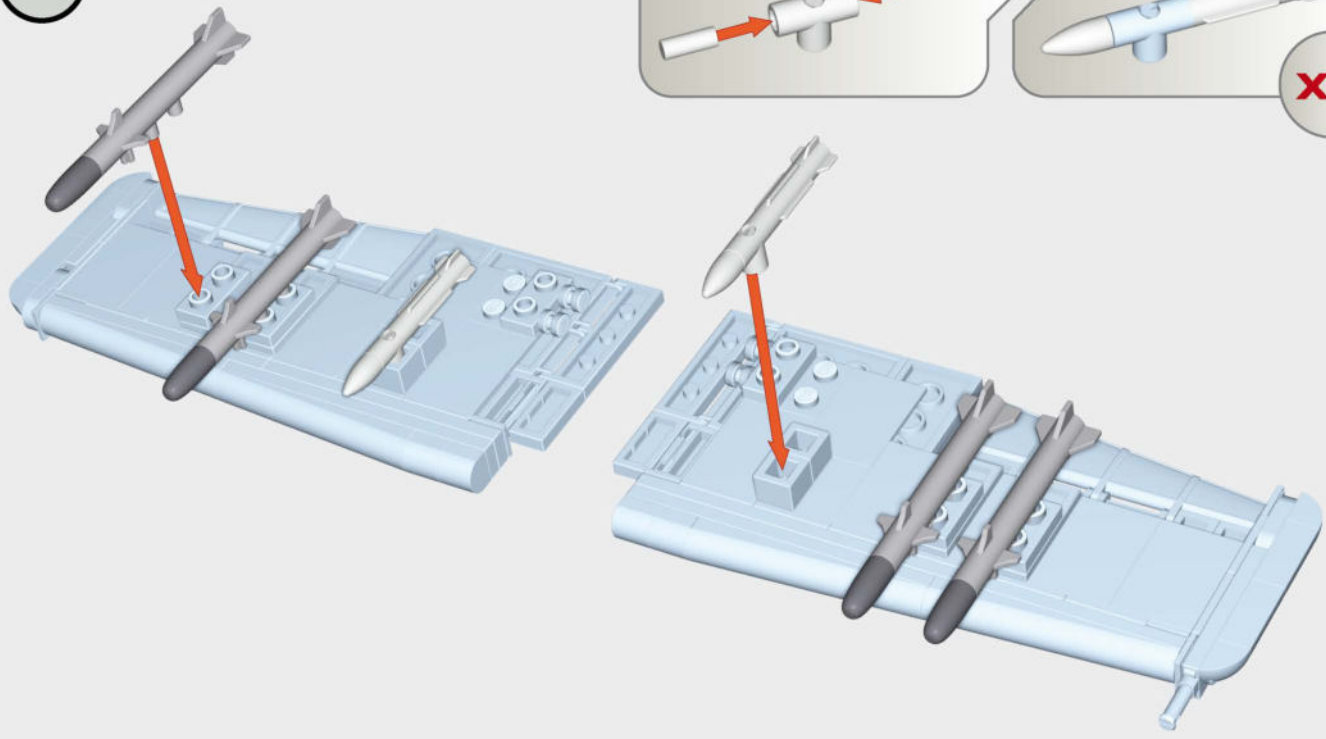
82



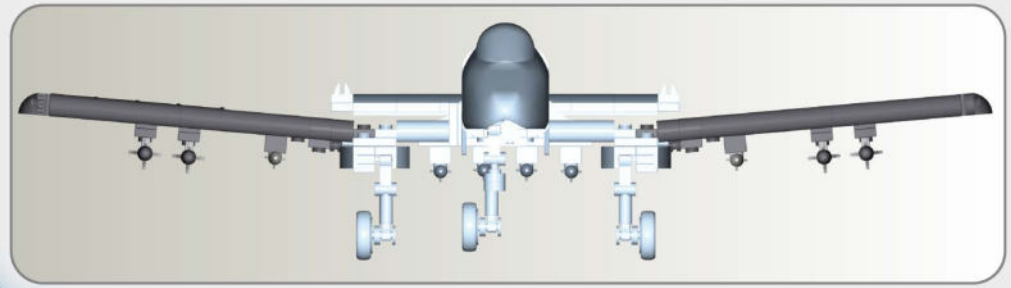
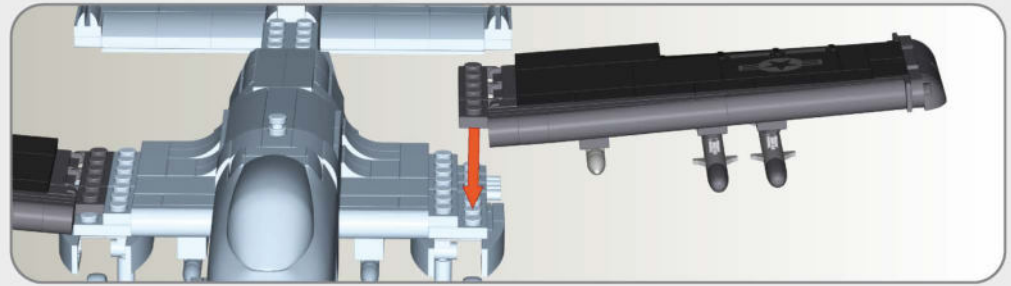
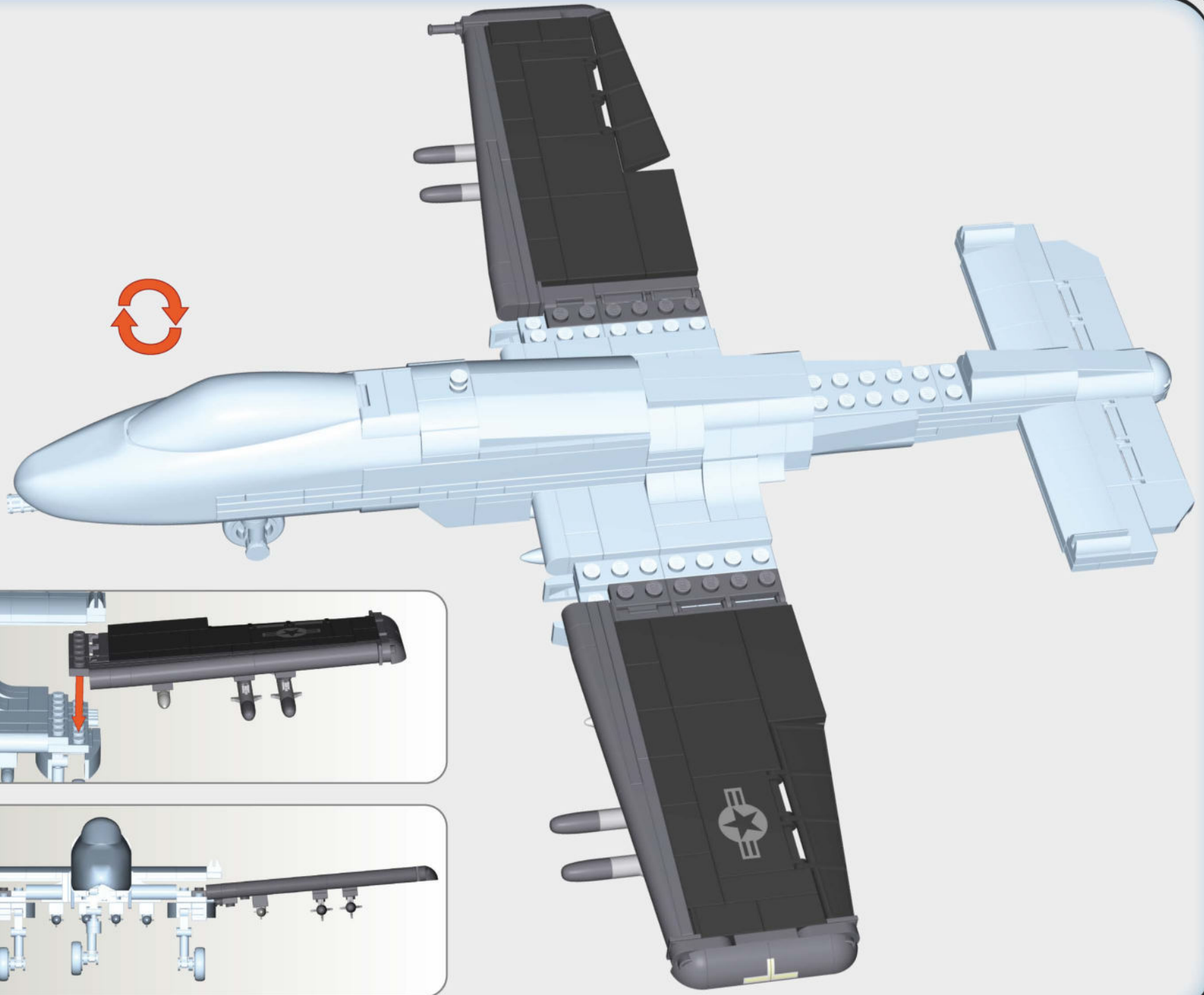
83



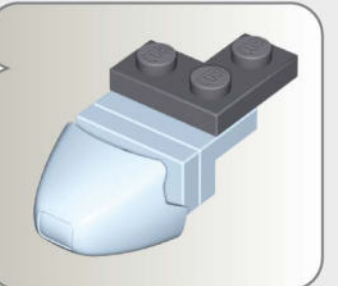
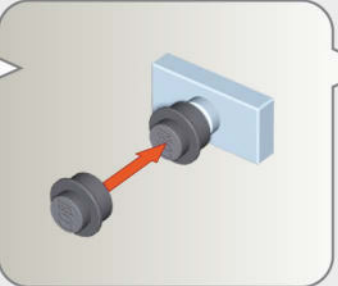
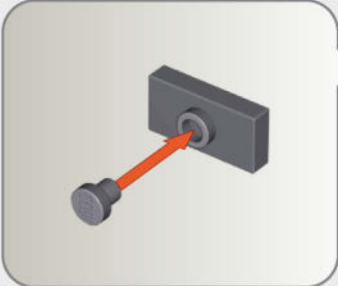
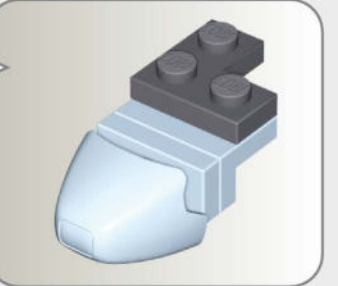
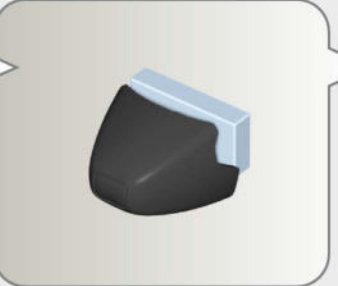
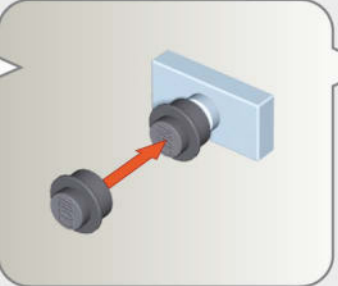
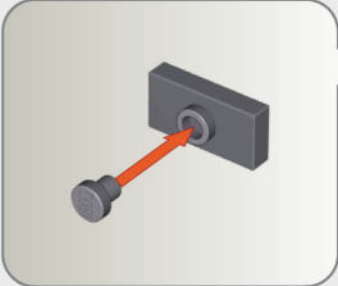
84



-  x4
-  x4
-  x4
-  x2
-  x2
-  x2

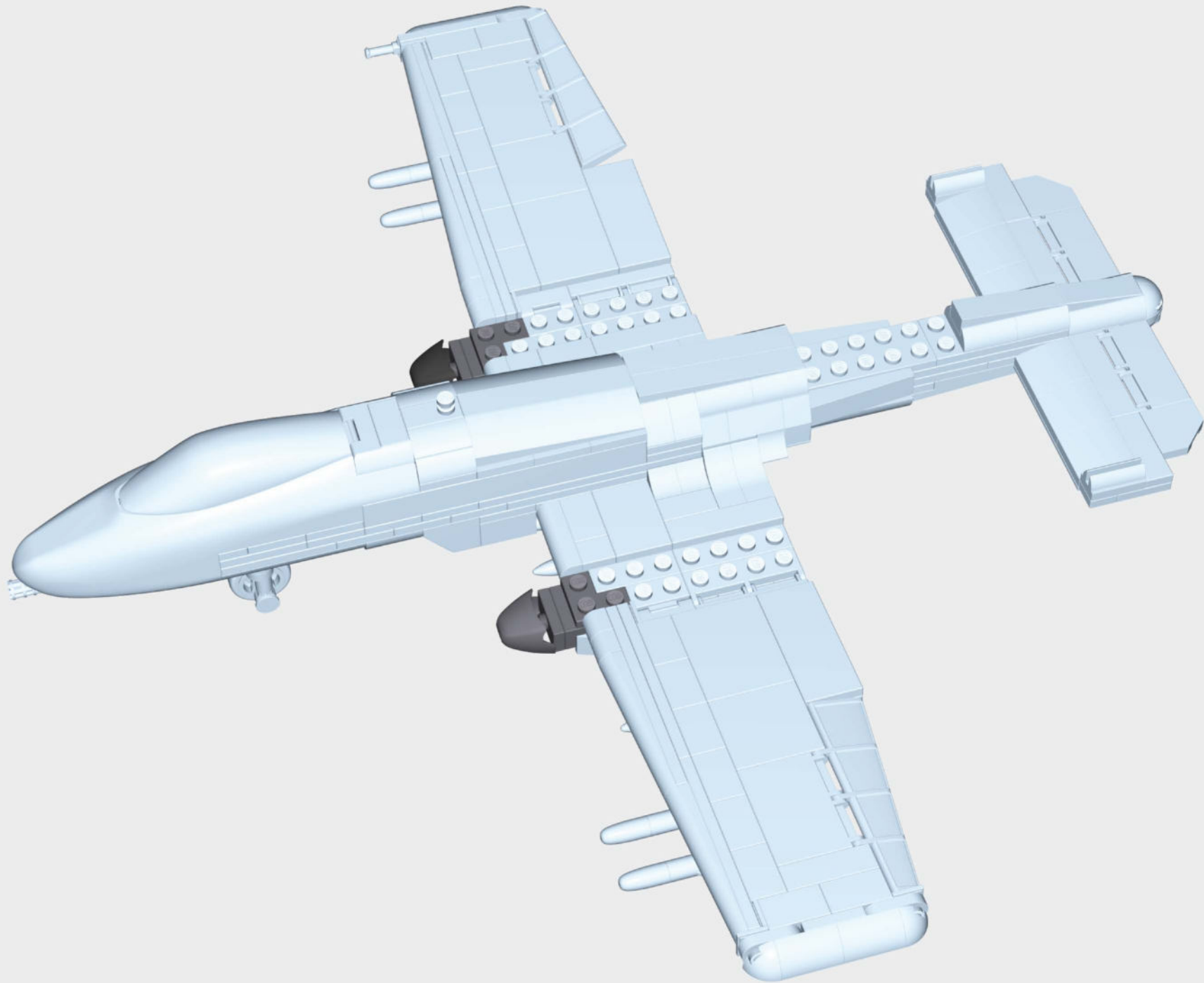


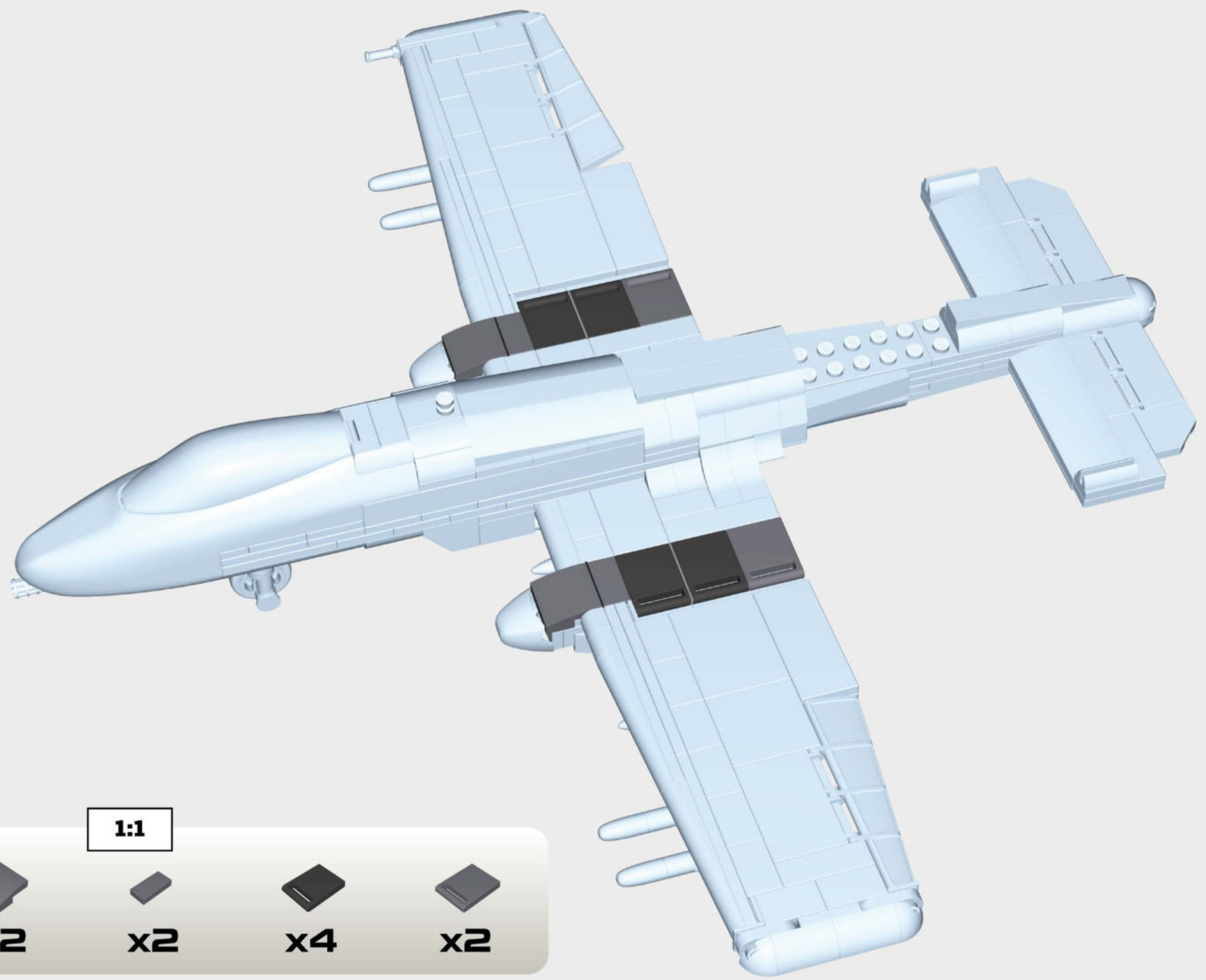




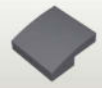
-  x2
-  x2
-  x4
-  x1
-  x1
-  x2
-  x2

87





1:1



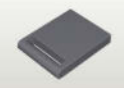
x2



x2

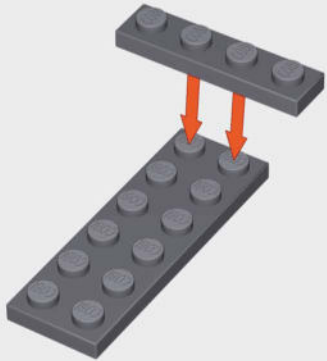


x4



x2

89



x1



x1

90



1:1

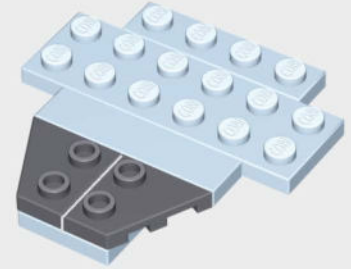


x1



x1

91

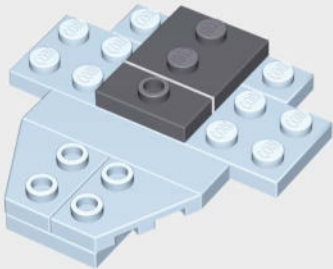


x1



x1

92

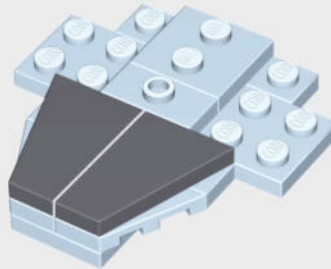


x1



x1

93

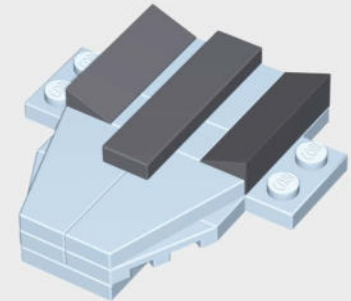


x1



x1

94



1:1



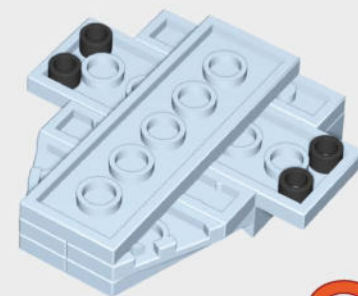
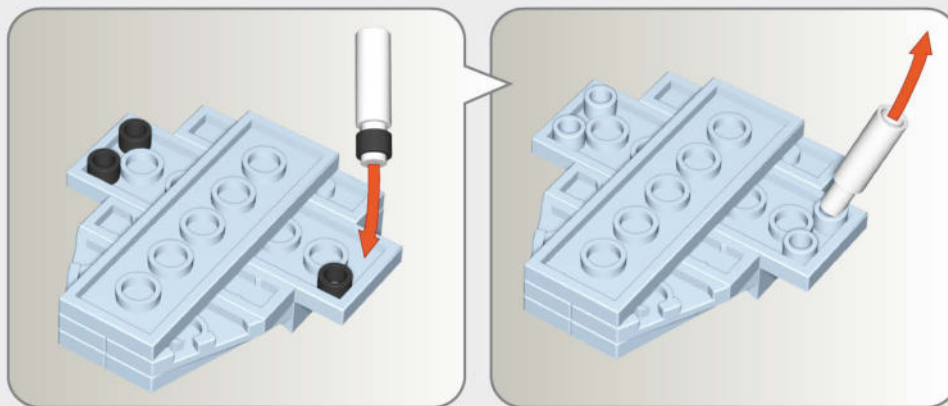
x2



x1

95

x4



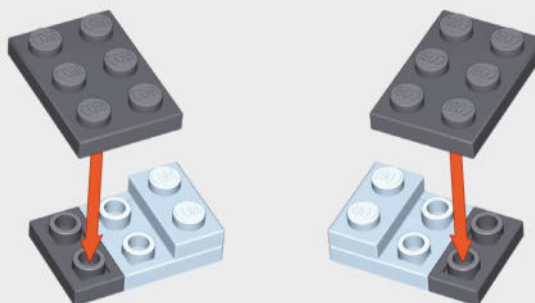
96



x2

x2

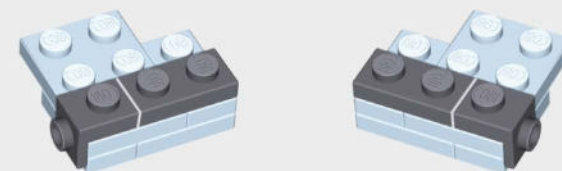
97



x2

x2

98



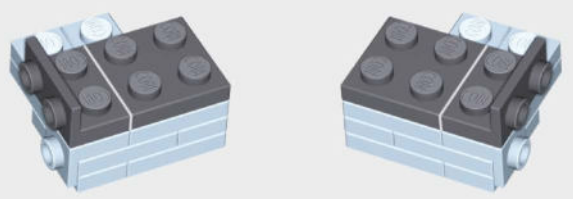
x2

x2

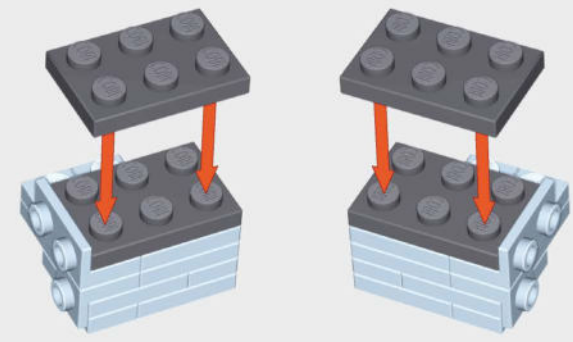
99



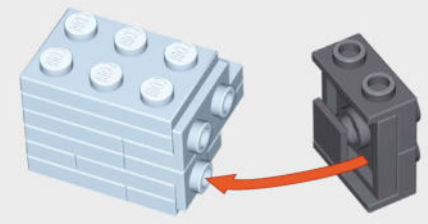
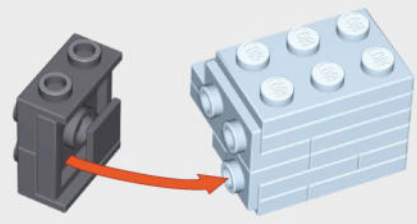
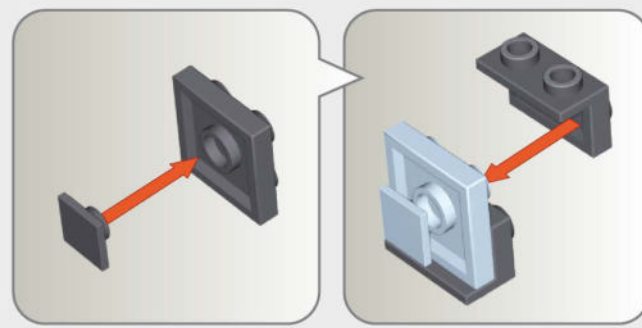
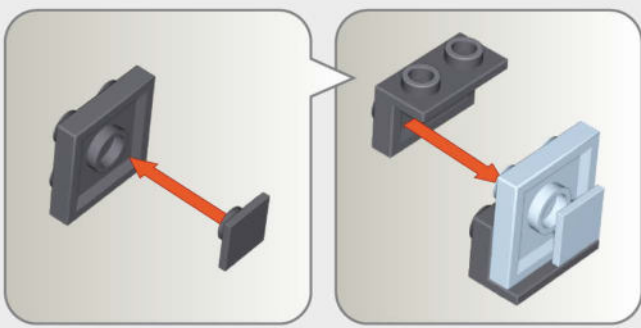
100



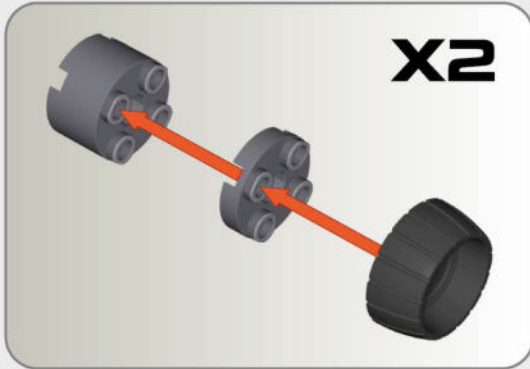
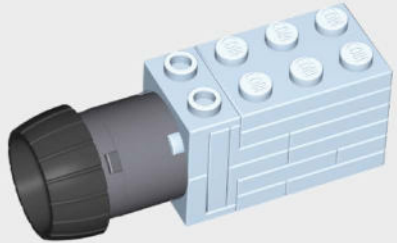
101



102



103



X2



x2

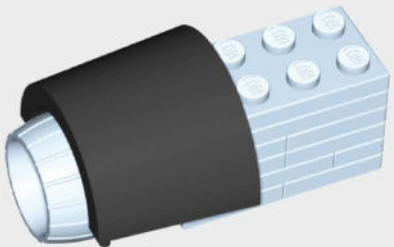


x2



x2

104



x2

105

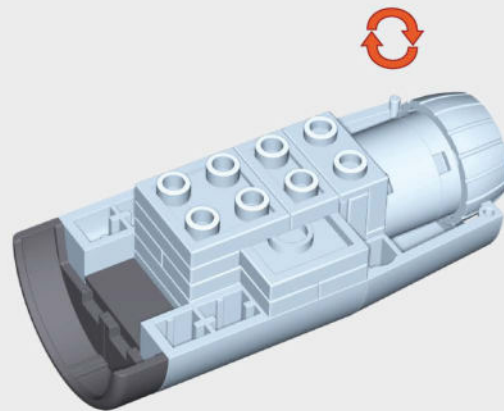
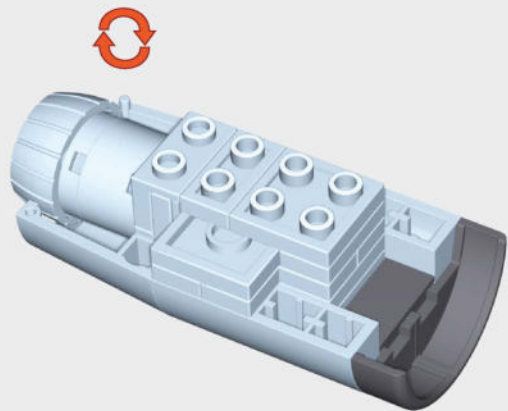


x2

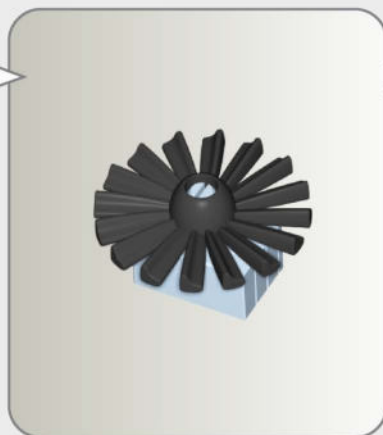
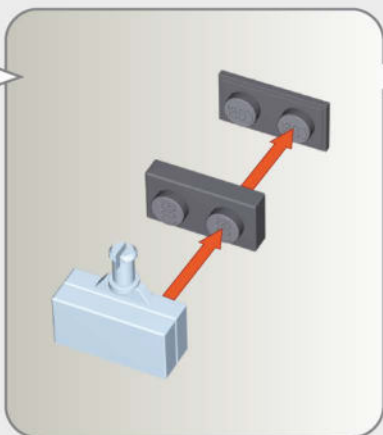
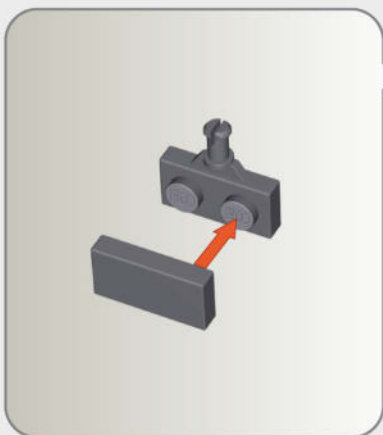


x2

106



107

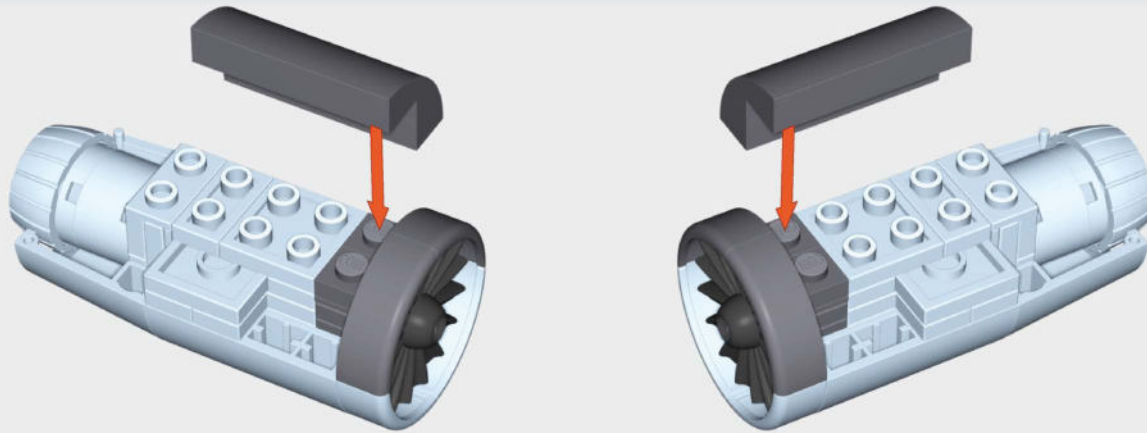


1:1





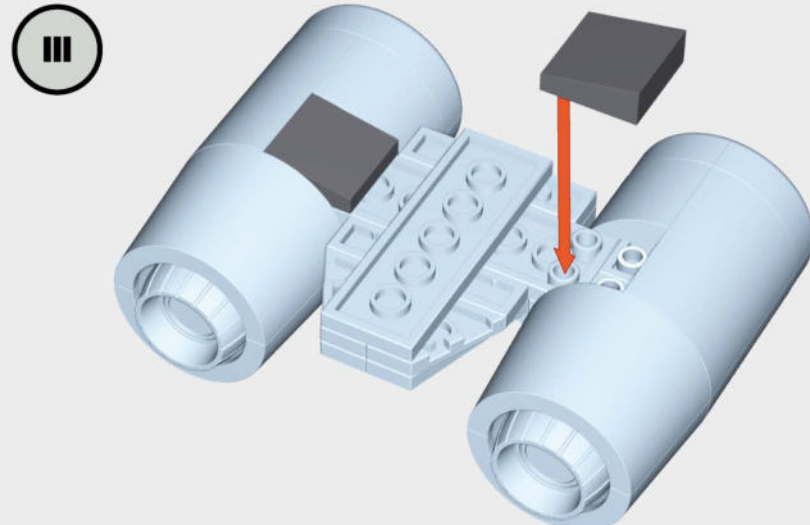
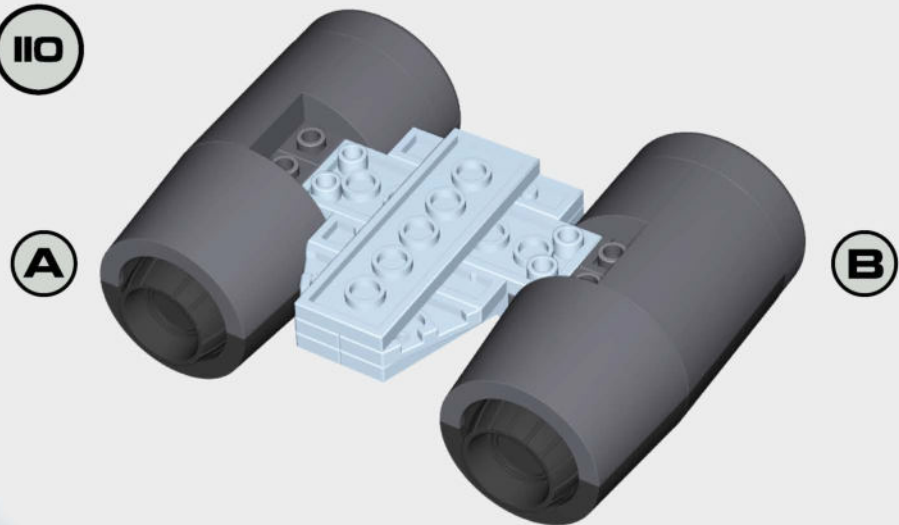
108

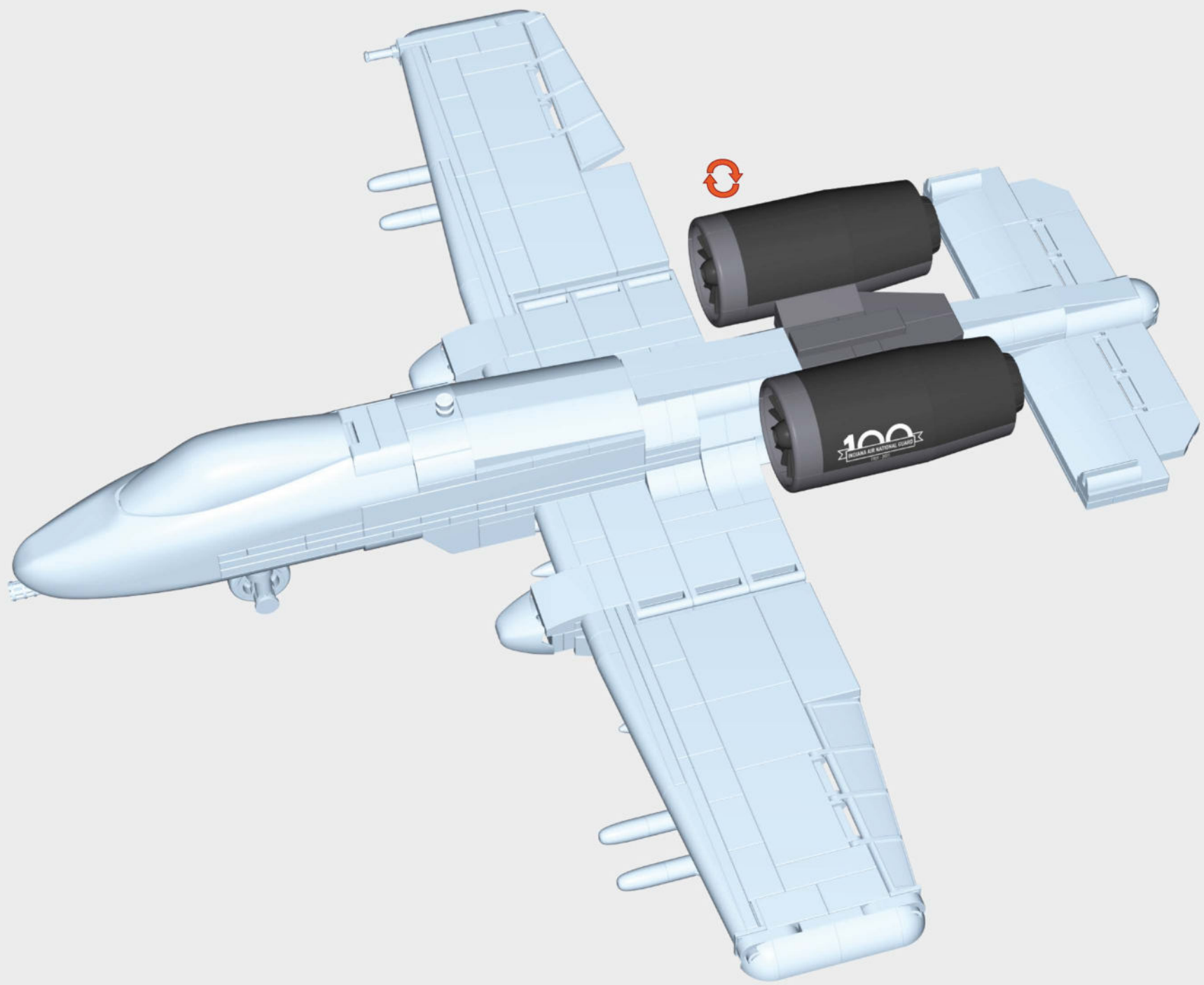


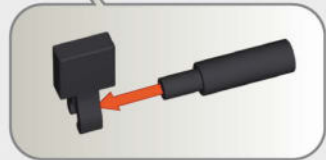
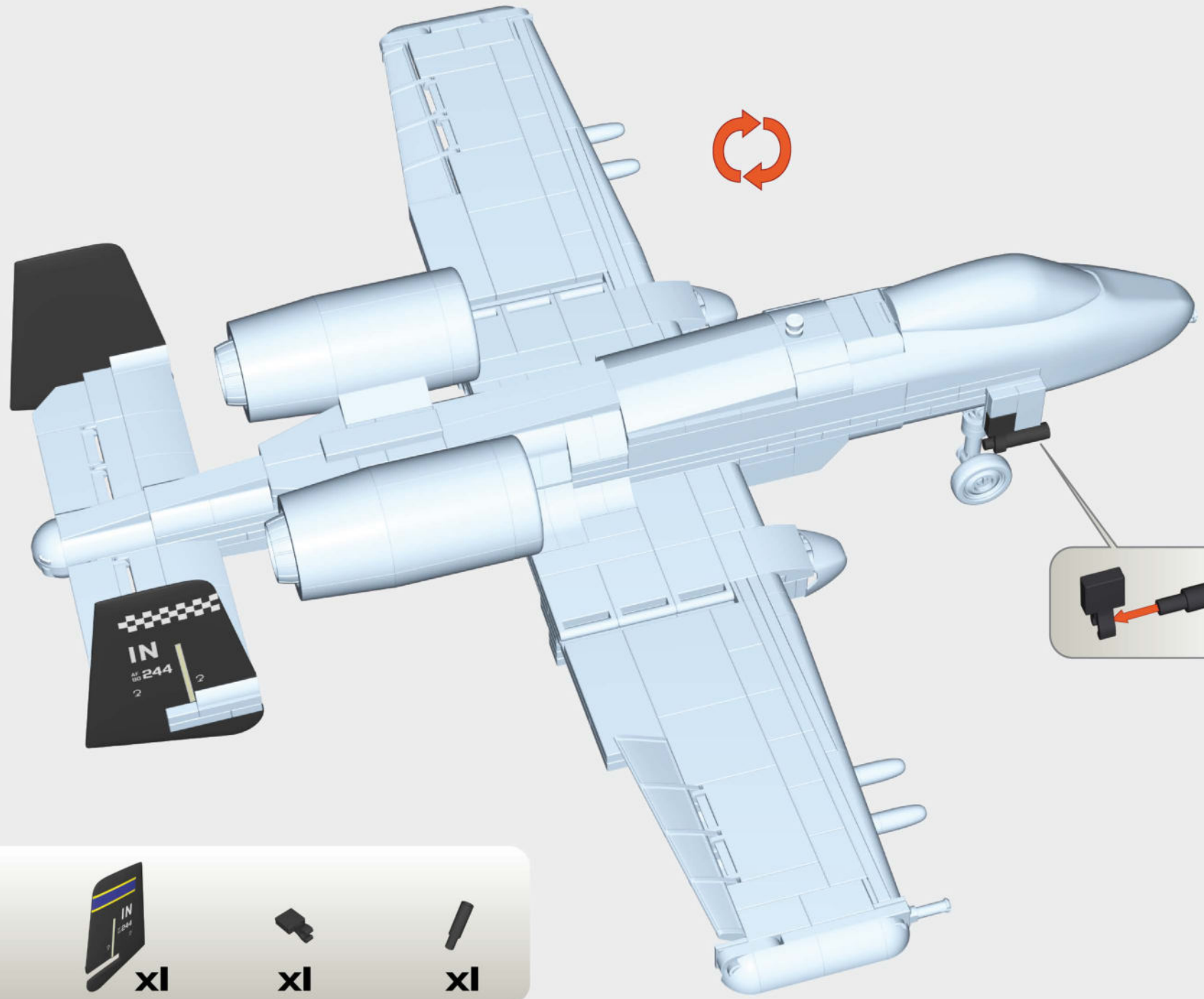
109



110

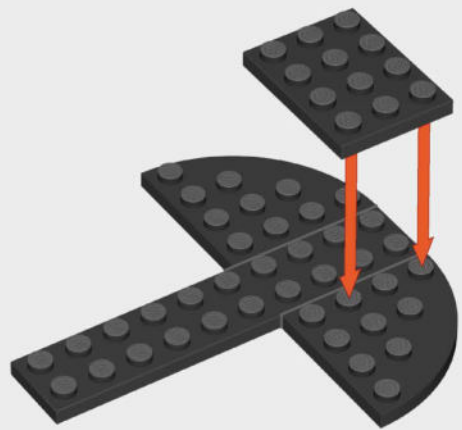




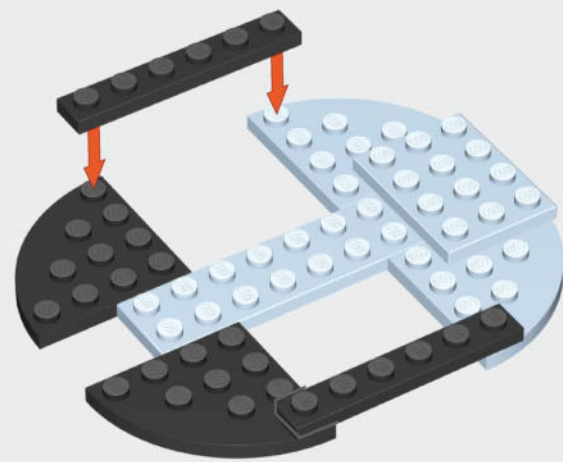


-  xi
-  xi
-  xi
-  xi

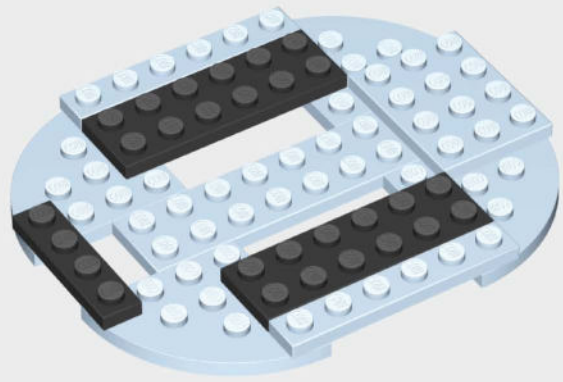
114



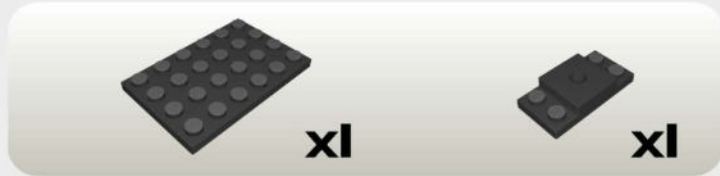
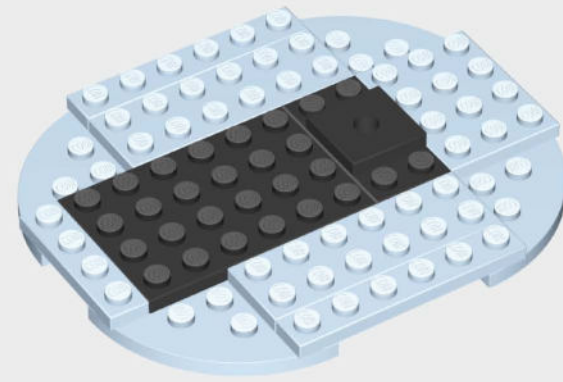
115



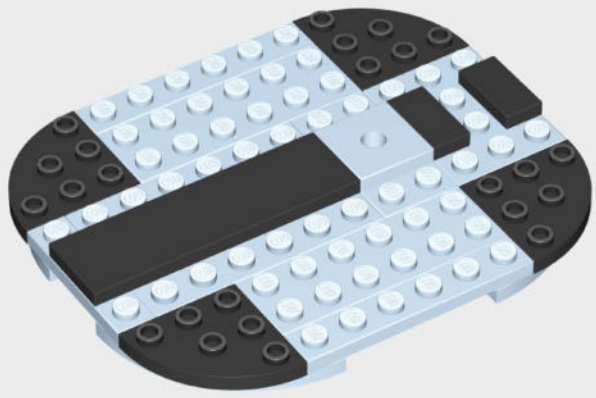
116



117



118



1:1



x4

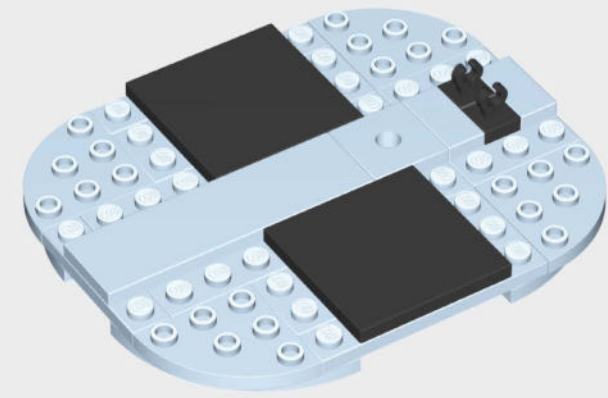


x1



x2

119

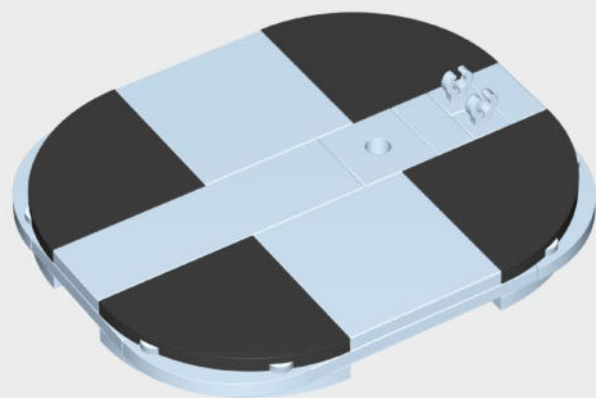


x2



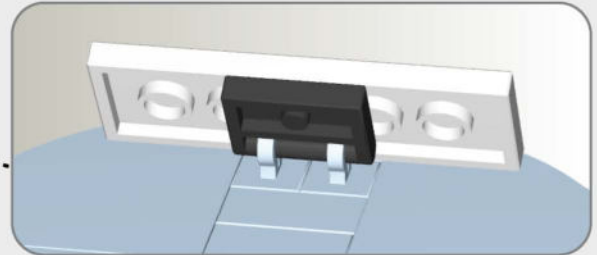
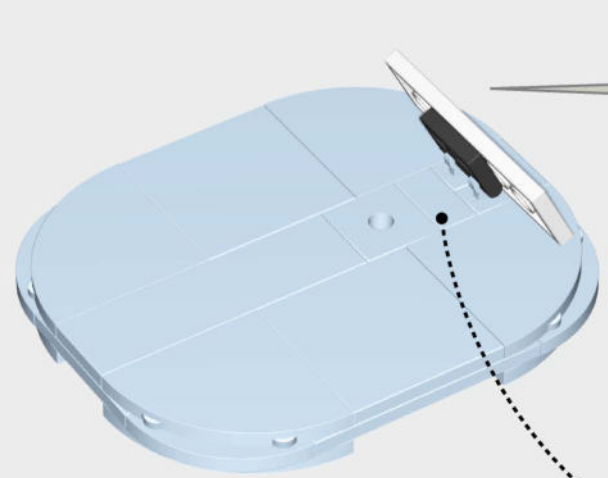
x2

120

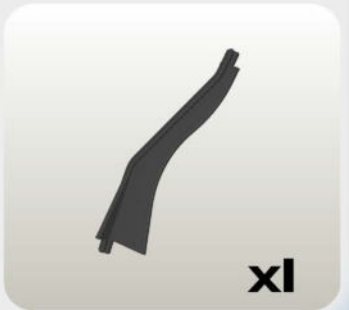
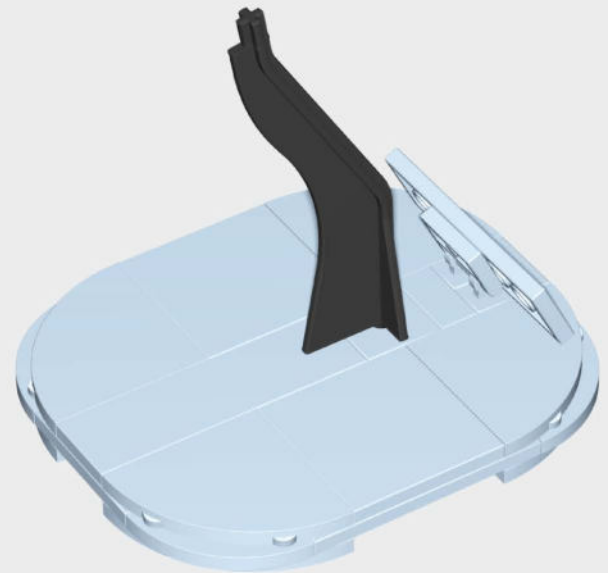


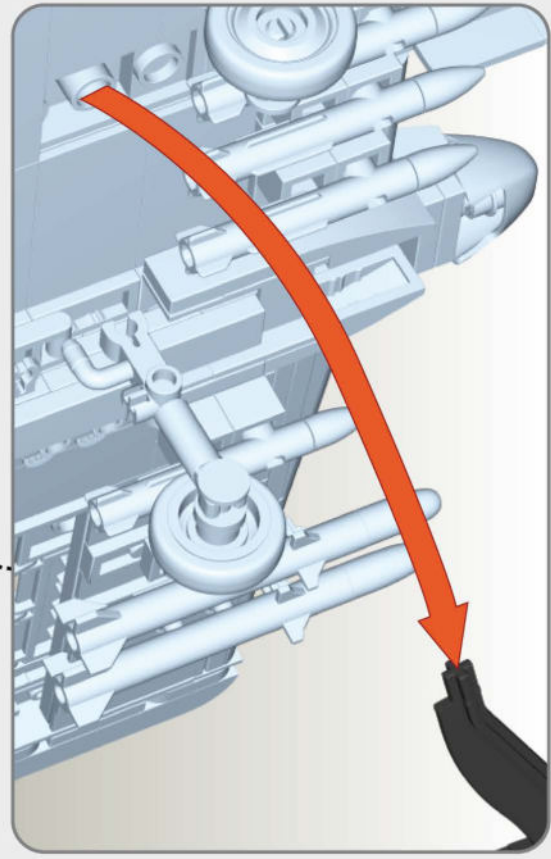
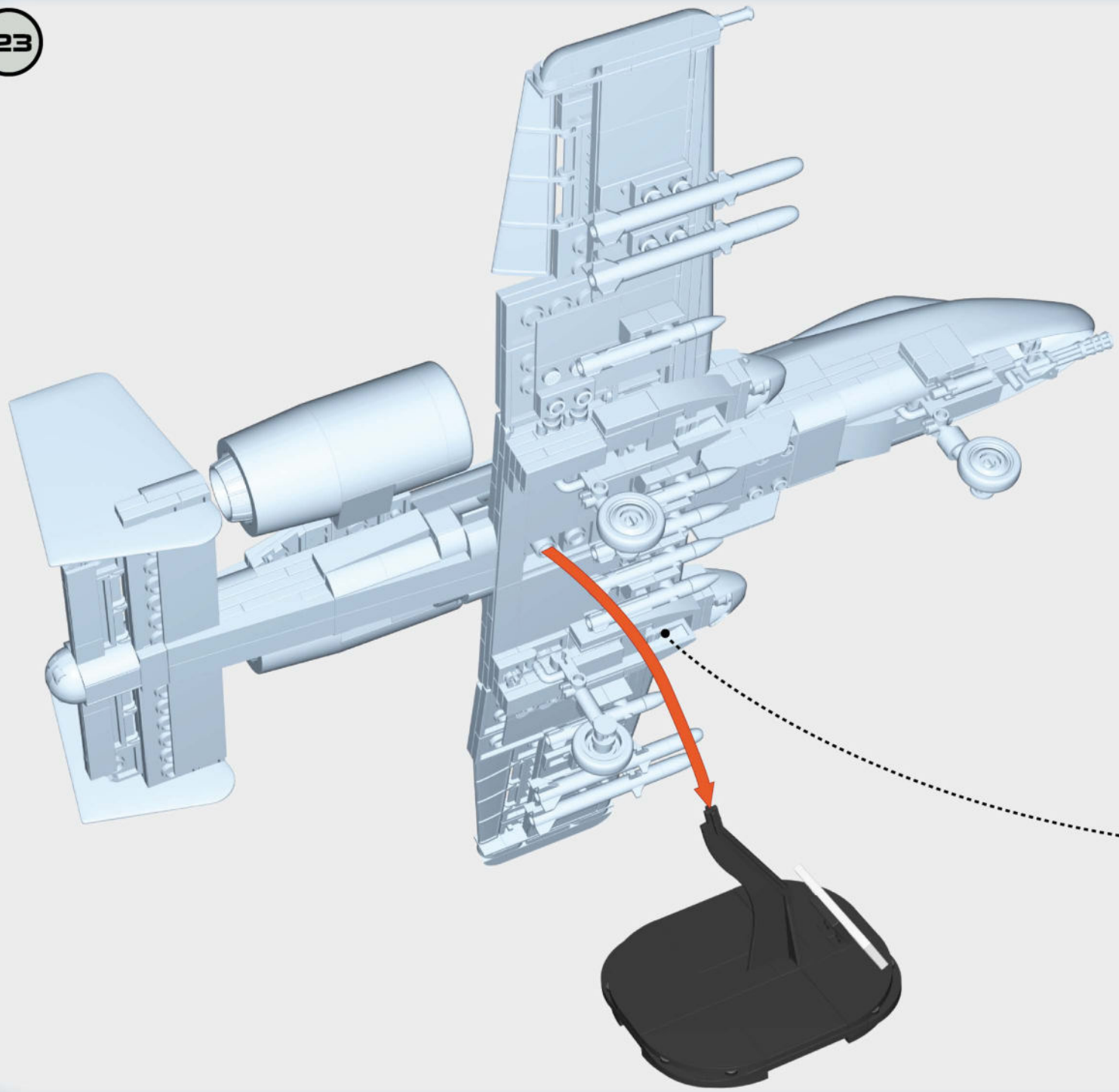
x4

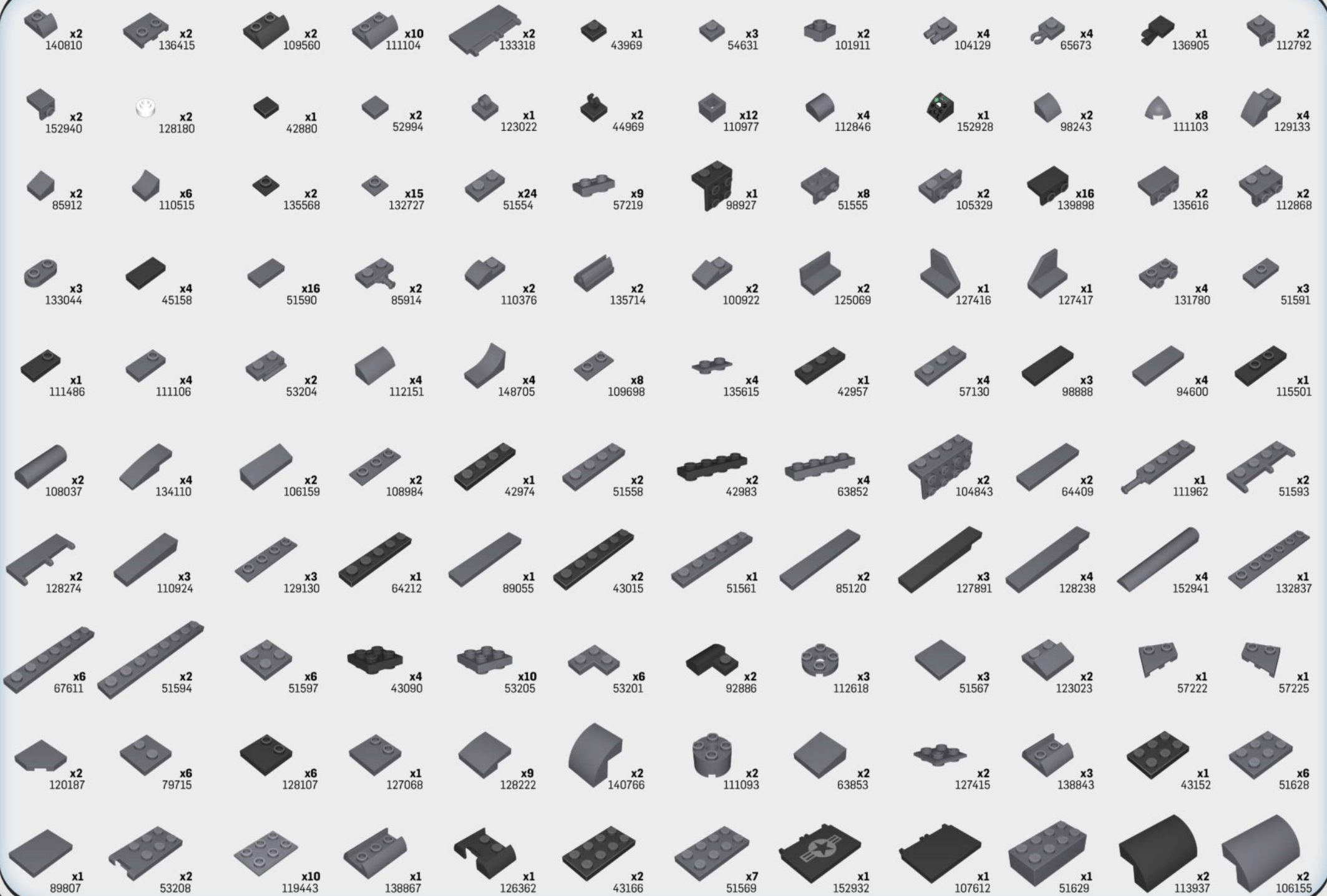
121



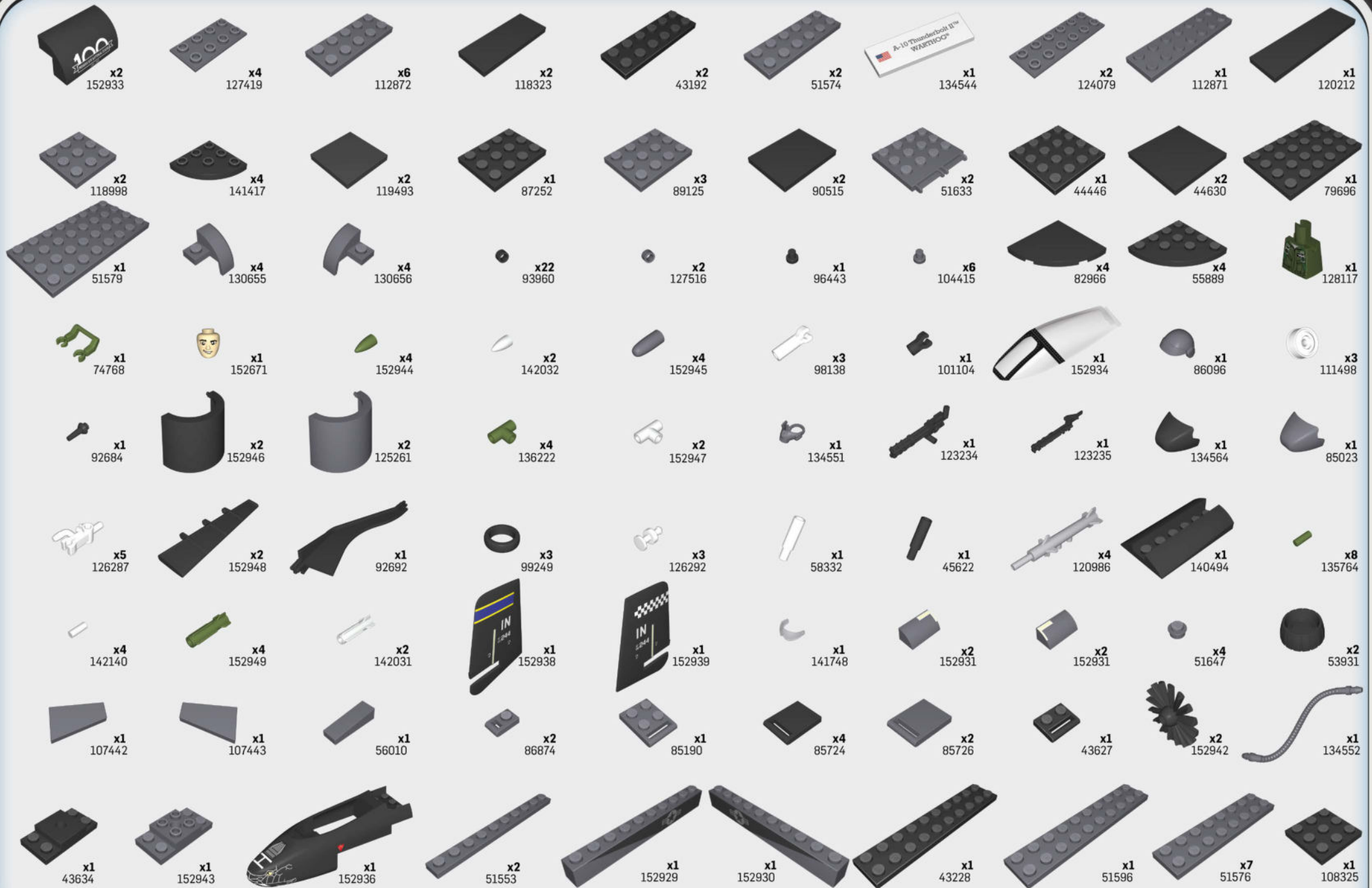
122













# HISTORICAL COLLECTION



DEWOITINE D.520

🇫🇷 5734



F4U-4™ CORSAIR®

🇺🇸 2417



NORTHROP GRUMMAN



JUNKERS JU-88

🇩🇪 5733



JUNKERS JU 87 B STUKA

🇩🇪 5730



Produced under license from Boeing. Boeing and F/A-18 Hornet are trademarks of The Boeing Company.



**F/A-18C HORNET™**  
5819



**F-16®D FIGHTING FALCON®**  
5815



**SAAB JAS 39 GRIPEN C**  
5828



**SAAB**



**F-35® A LIGHTNING II®**  
5831



LOCKHEED MARTIN®, F-35®A Lightning II®, F-16®D Fighting Falcon®, associated emblems and logos, and body designs of vehicles are either registered trademarks or trademarks of Lockheed Martin Corporation in the USA and/or other jurisdictions, used under license by COBI.



**M1A2 ABRAMS**  
2622

GENERAL DYNAMICS LAND SYSTEMS inc. This construction block set is produced under license from GDLS.



Produced under license from Boeing. Boeing and F/A-18 Hornet are trademarks of The Boeing Company.



**F/A-18C HORNET™**  
5810



LOCKHEED MARTIN®, F-35®B Lightning II®, associated emblems and logos, and body designs of vehicles are either registered trademarks or trademarks of Lockheed Martin Corporation in the USA and/or other jurisdictions, used under license by COBI.



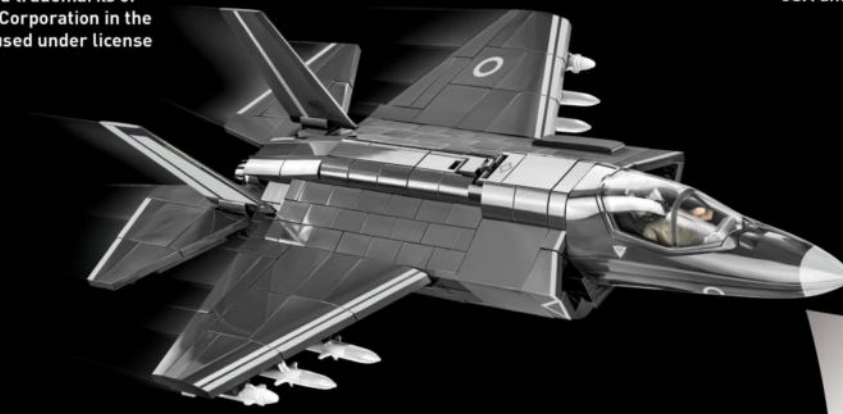
**F-35®A LIGHTNING II®**  
5832



LOCKHEED MARTIN®, F-35®A Lightning II®, associated emblems and logos, and body designs of vehicles are either registered trademarks or trademarks of Lockheed Martin Corporation in the USA and/or other jurisdictions, used under license by COBI.



**F-35®B LIGHTNING II®**  
5829



**F-35®B LIGHTNING II®**  
5830

**WWW.COBI.EU**

For news and special deals

Find us on:  
f cobr.bricks  
cobi.klocki  
COBI SA

**04-05837-629**

