

HISTORICAL COLLECTION

WORLD WAR II



CHURCHILL MK. IV

IN SERVICE - 1943-1944
PLACE OF ORIGIN - UNITED KINGDOM
TYPE - INFANTRY TANK
WEIGHT - 39t (85,980Lb)
ARMOUR - 102MM (4")
ARMAMENT - 57MM (2.24") 6-PDR MK III GUN,
2x 7,92MM (.312") BESA MG
ENGINE - BEDFORD TWIN-SIX, 350HP
SPEED - 25,7KM/H (15,5MPH)
CREW - 5



2717

PAD PRINTED
NO STICKERS

Printed in EU

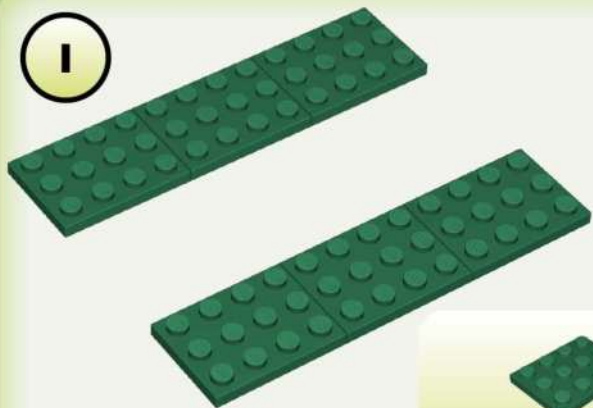


315 

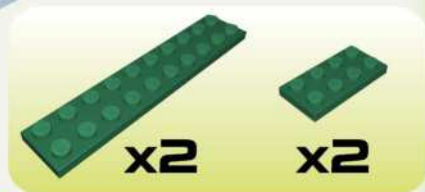
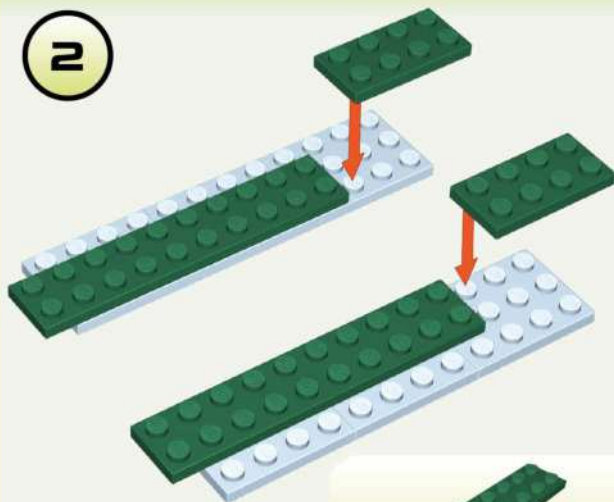
CHURCHILL MK.IV

SCALE 1:48

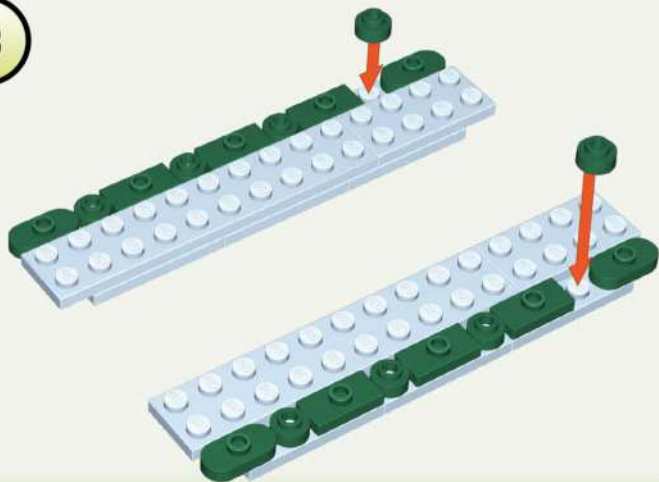
1



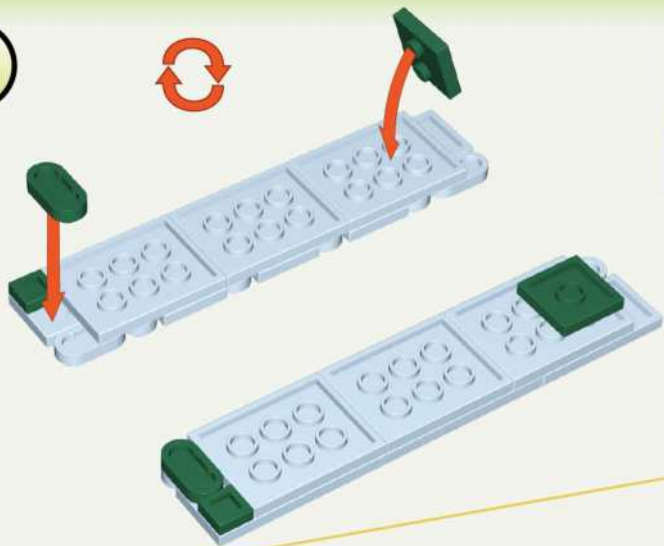
2



3



4

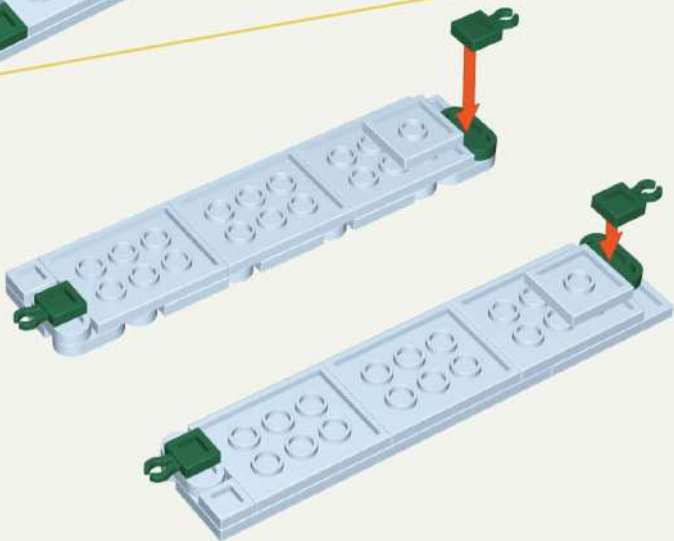


x2

x2

x2

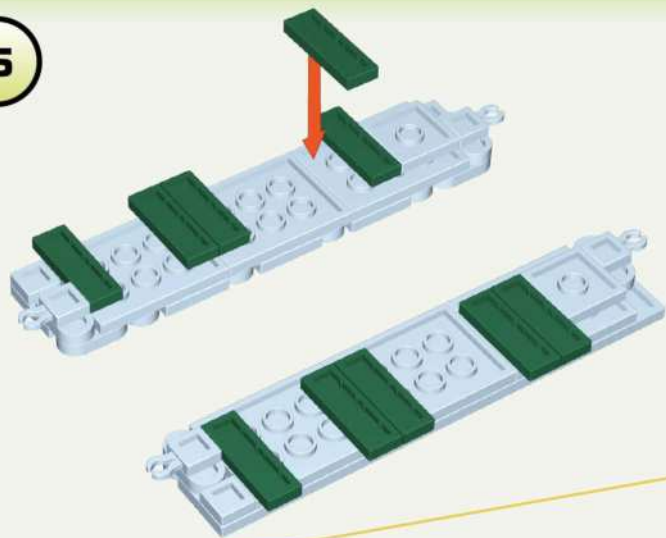
5



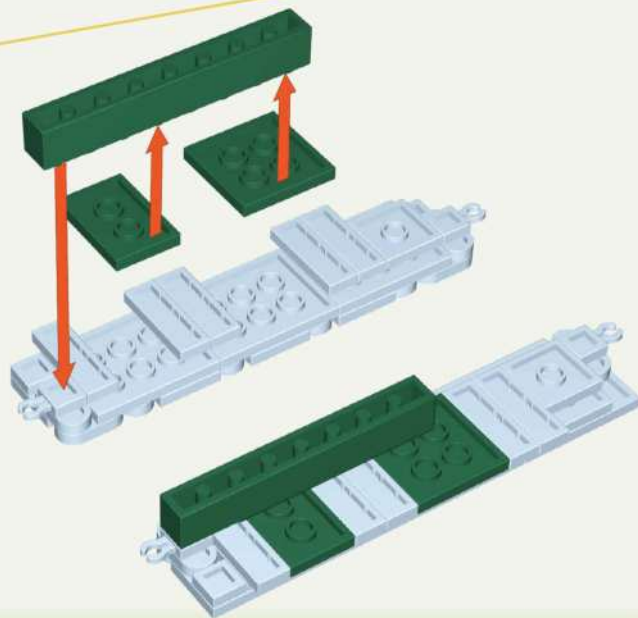
x2

x4

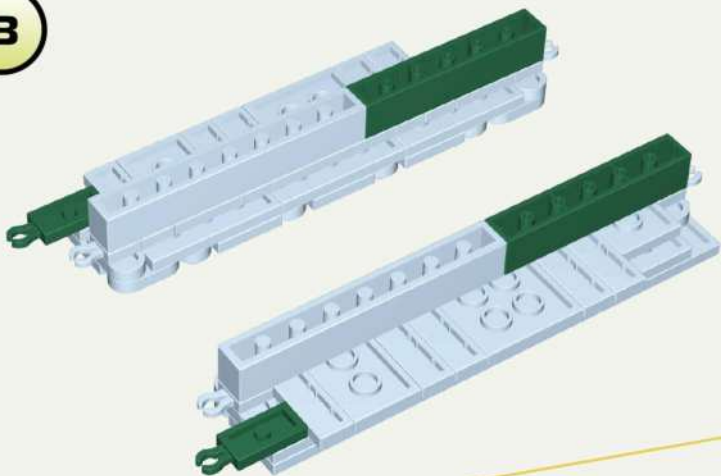
6



7



8

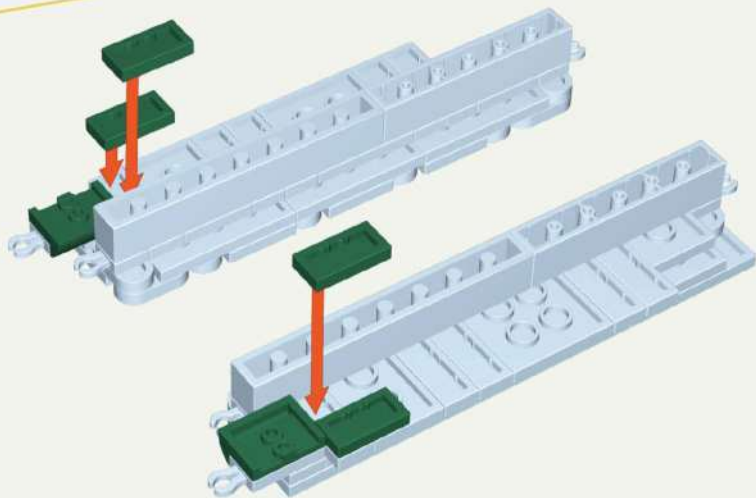


x2



x2

9

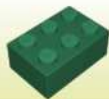
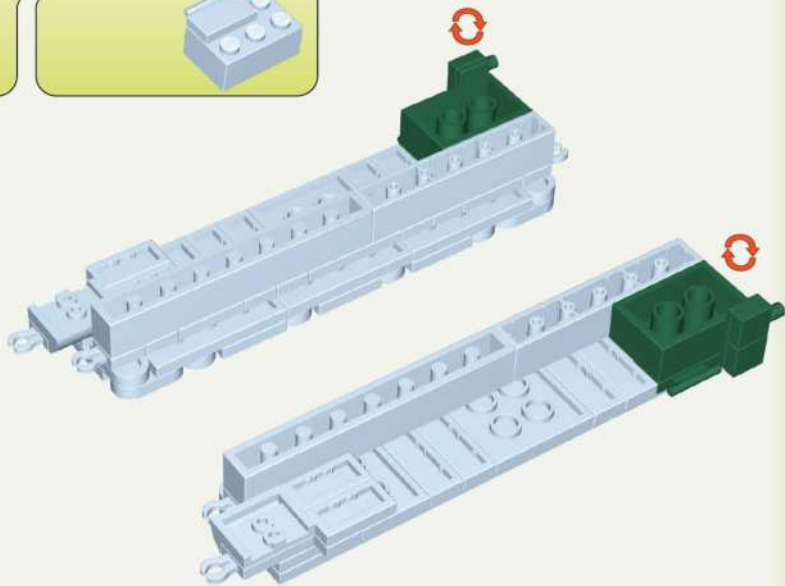
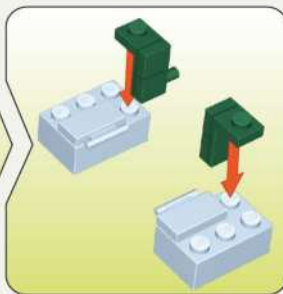
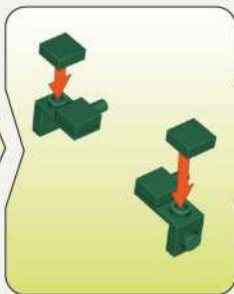
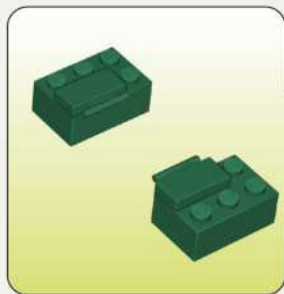


x2



x4

10



x2



x2



x2

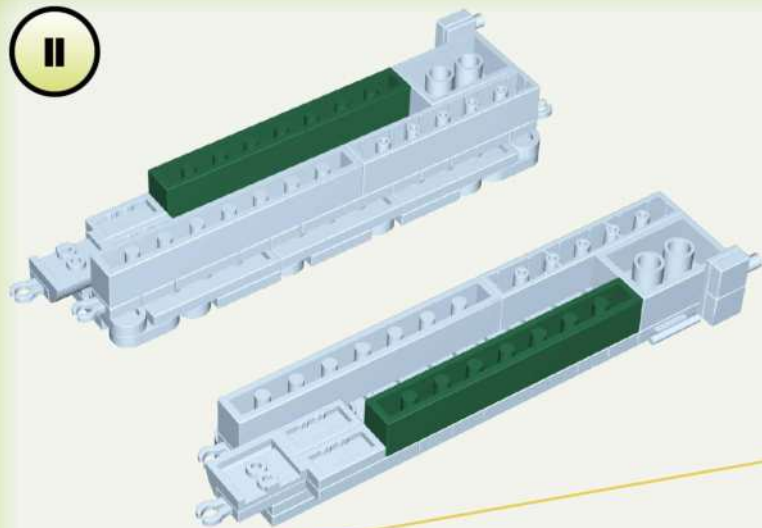


x2

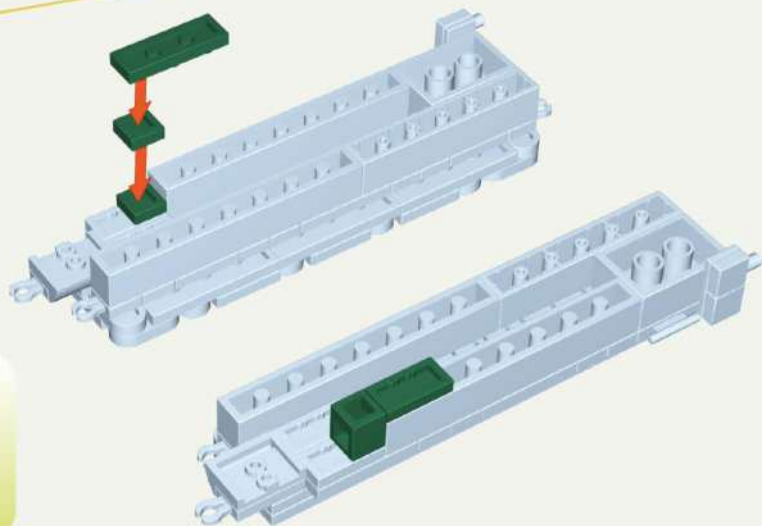


x2

11



12



x1



x1

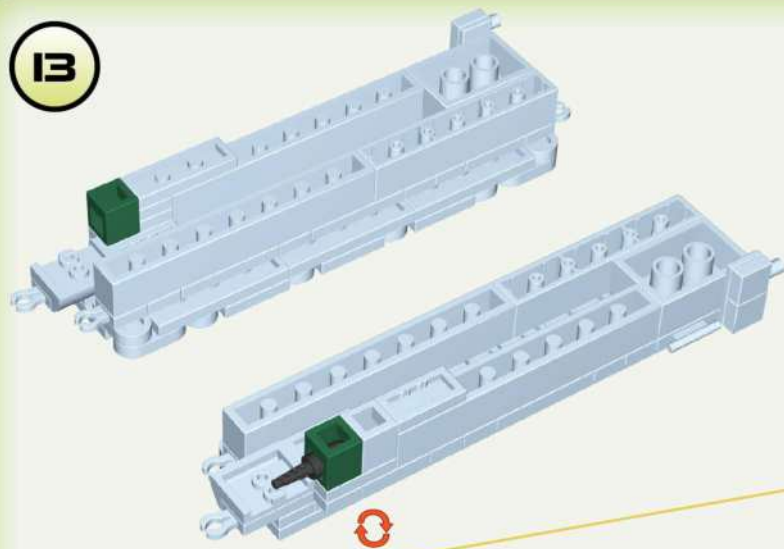


x2



x1

13

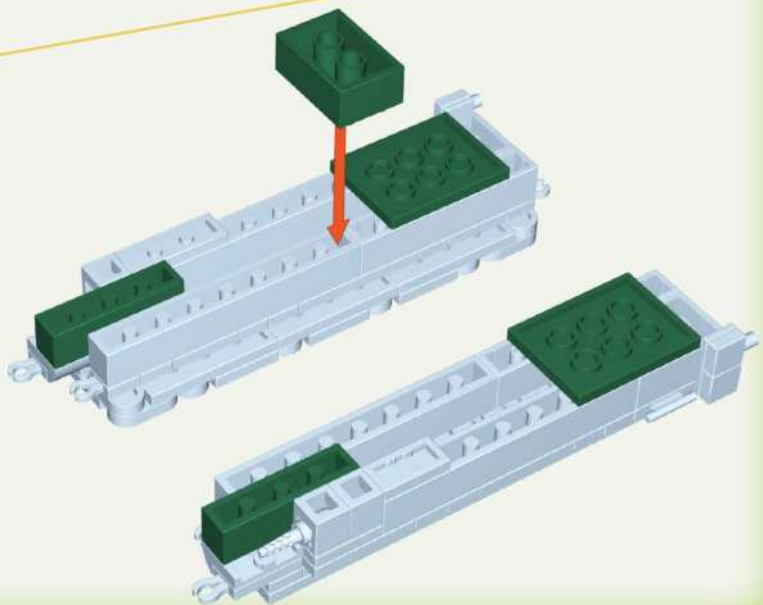


		
x2	x1	x1

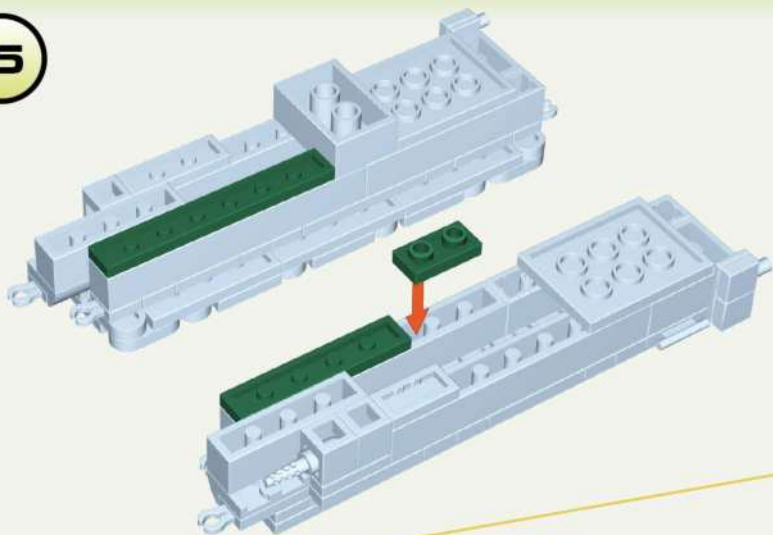


14

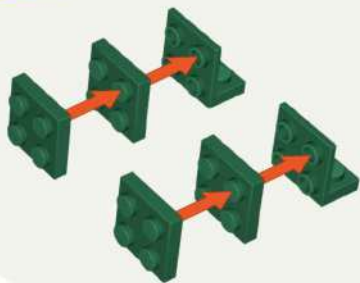
		
x2	x2	x1



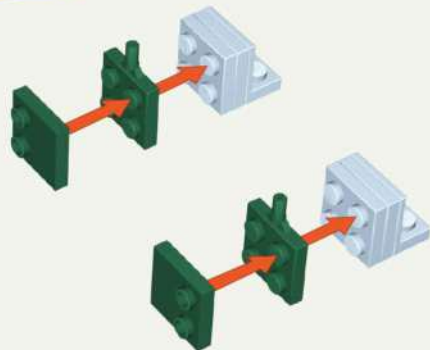
15



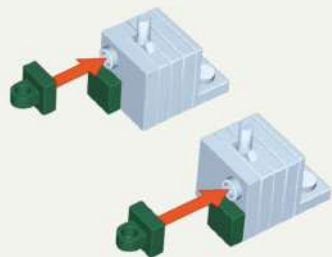
16



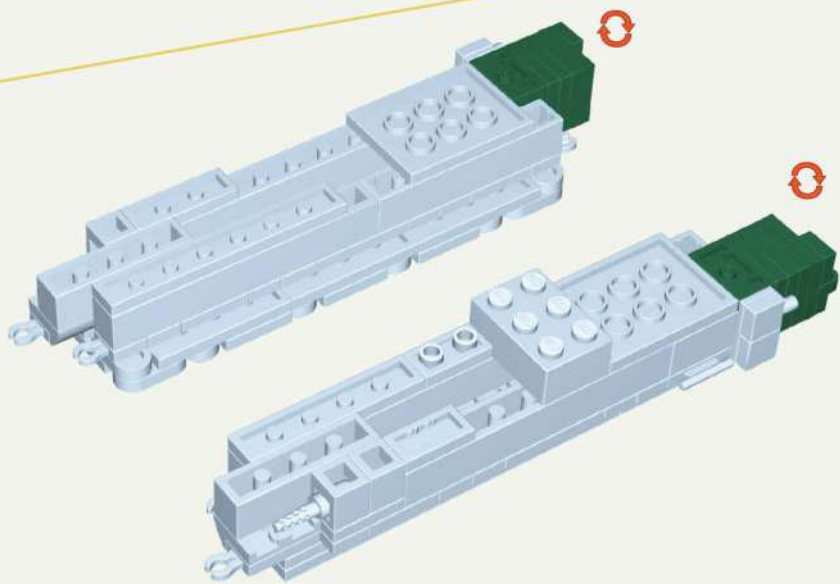
17



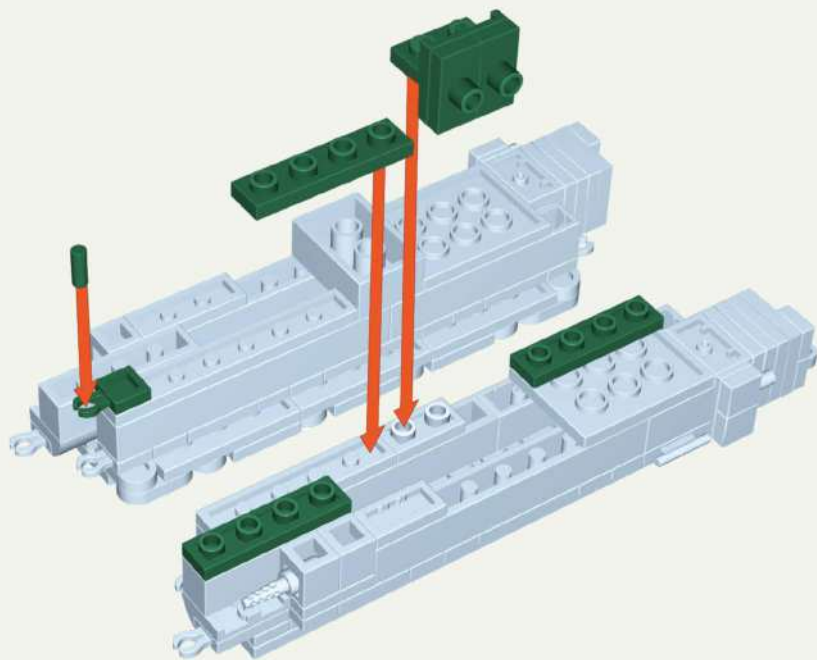
18



19



20



x3



x1



x1

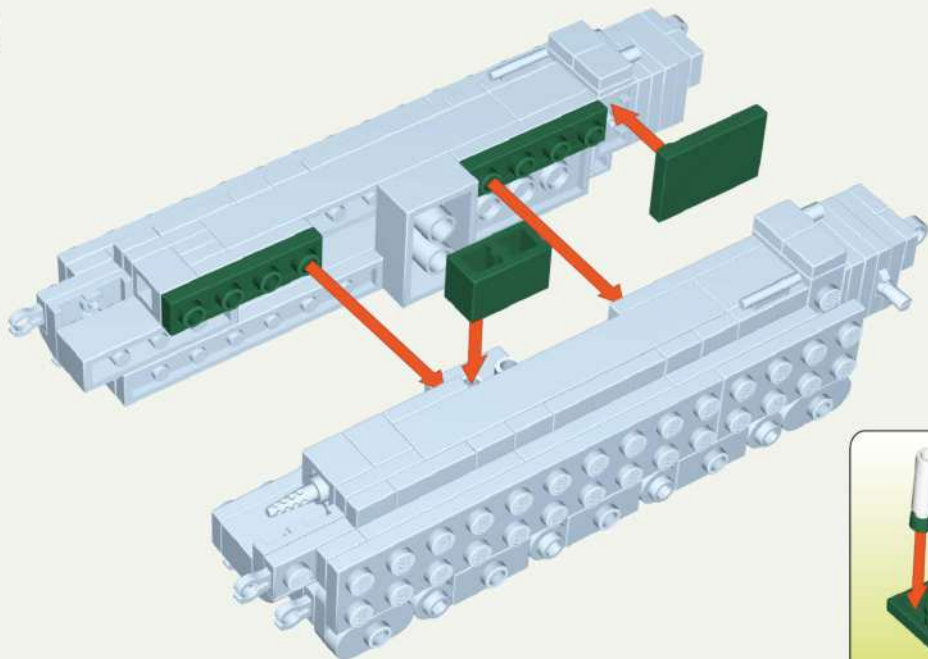


x1



x2

21



x2



x1

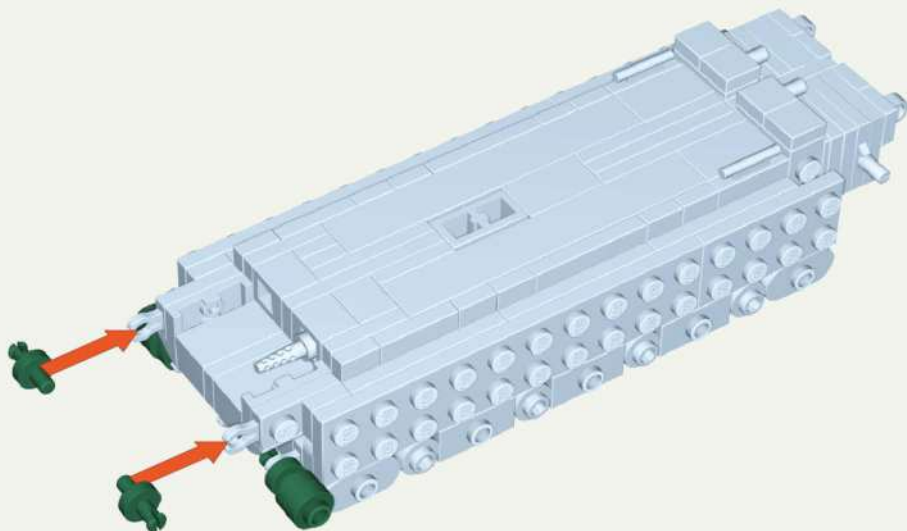
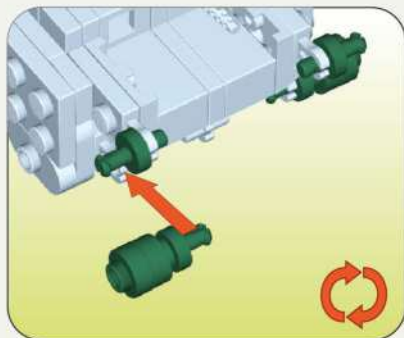


x1

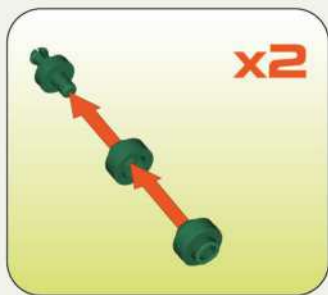
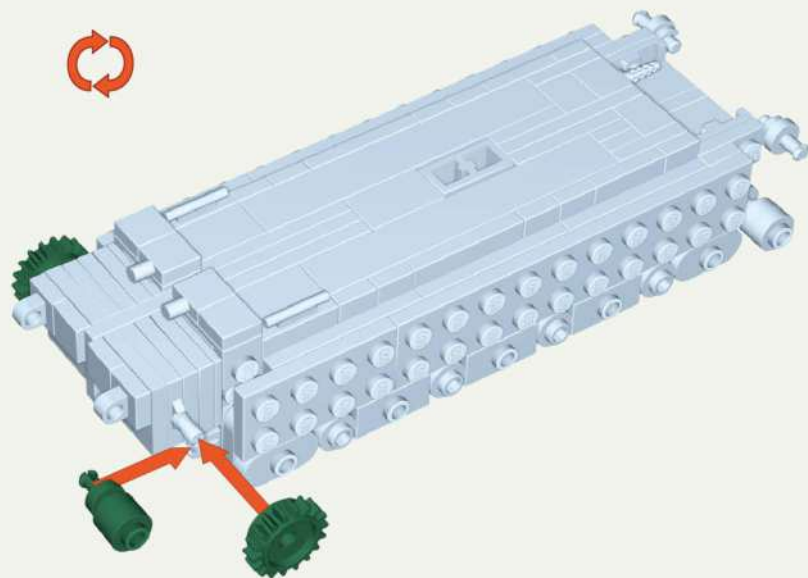
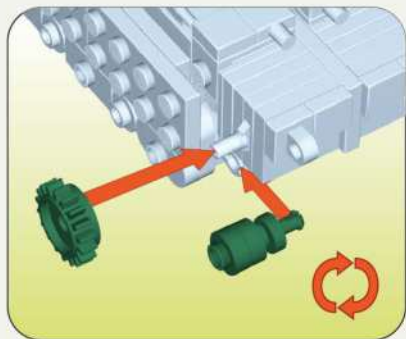


x2

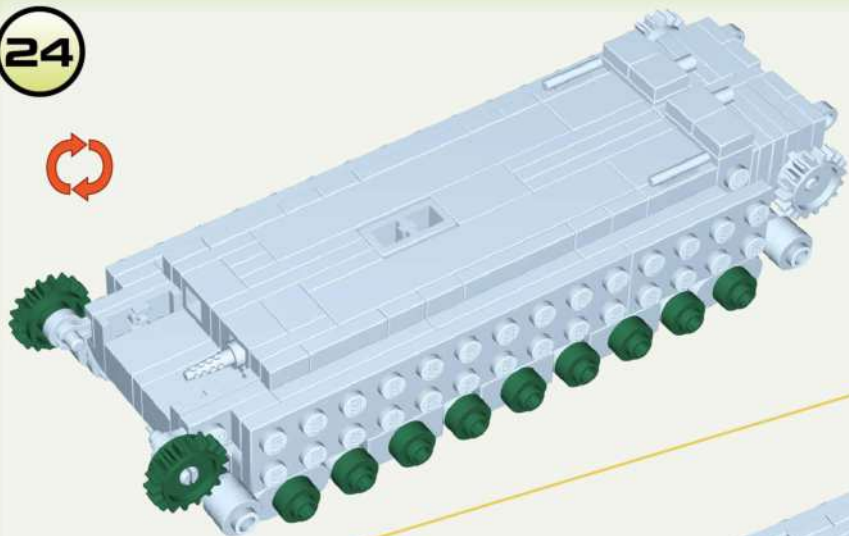
22



23



24



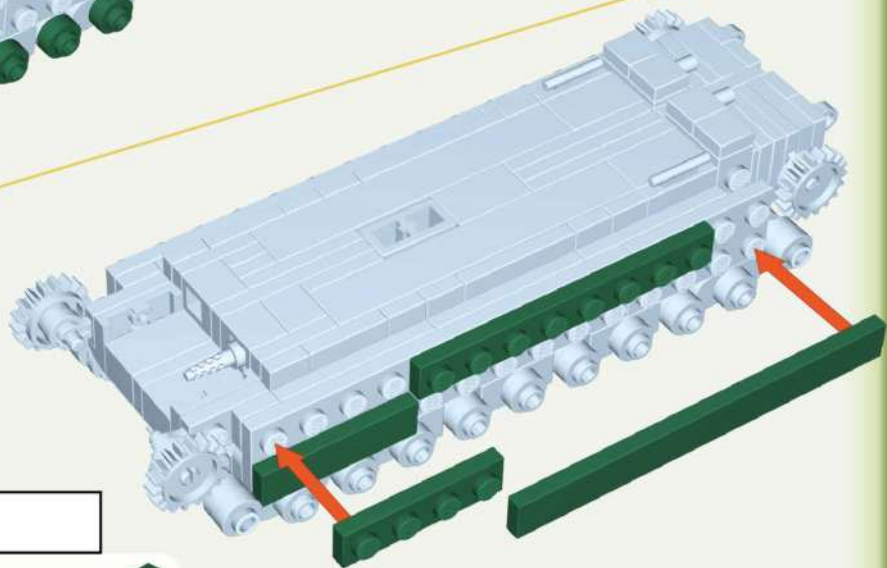
x9 x2

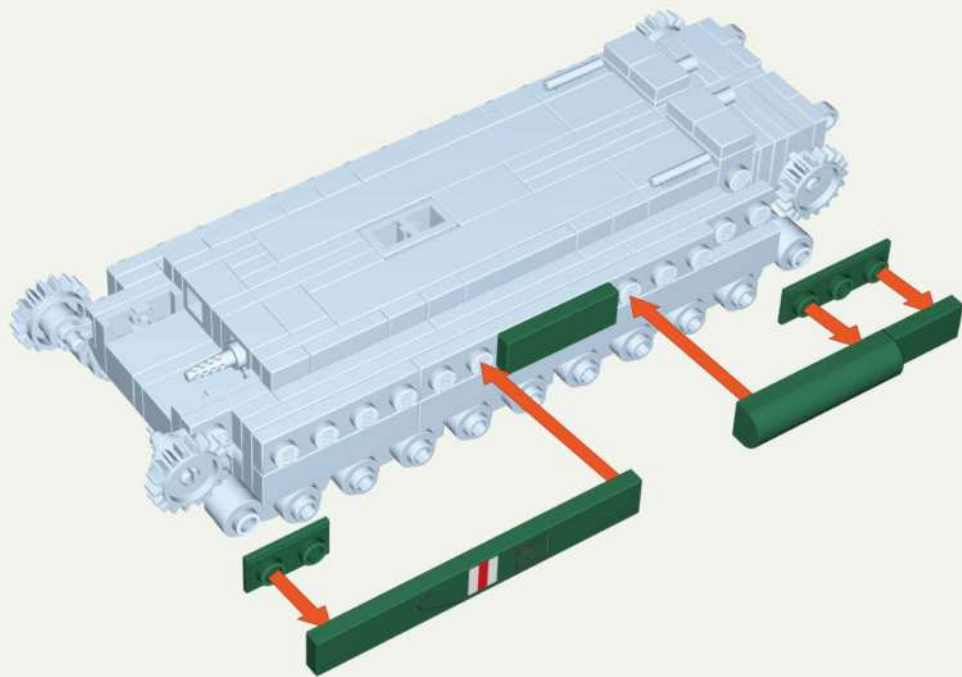
25

1:1

1:1

x1 x1 x1 x1





1:1



x1



x1



x1



x1

1:1

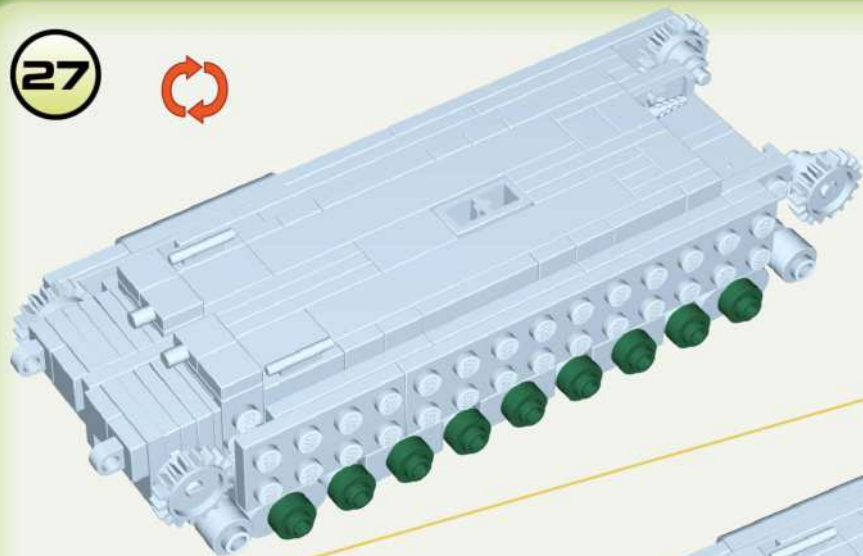


x1



x1

27

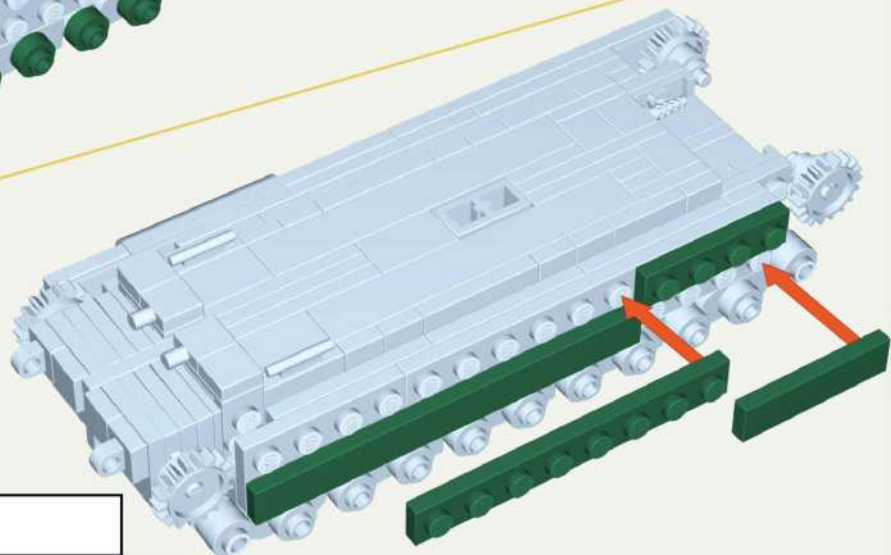


x9

28

1:1

1:1



x1



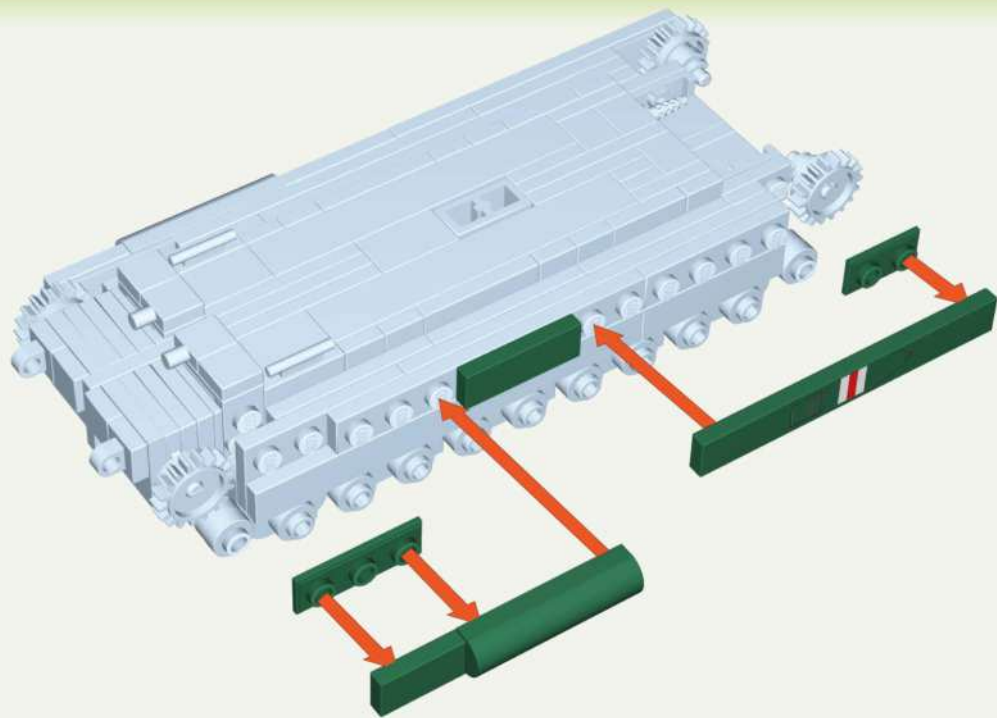
x1



x1



x1



1:1



x1



x1



x1



x1

1:1

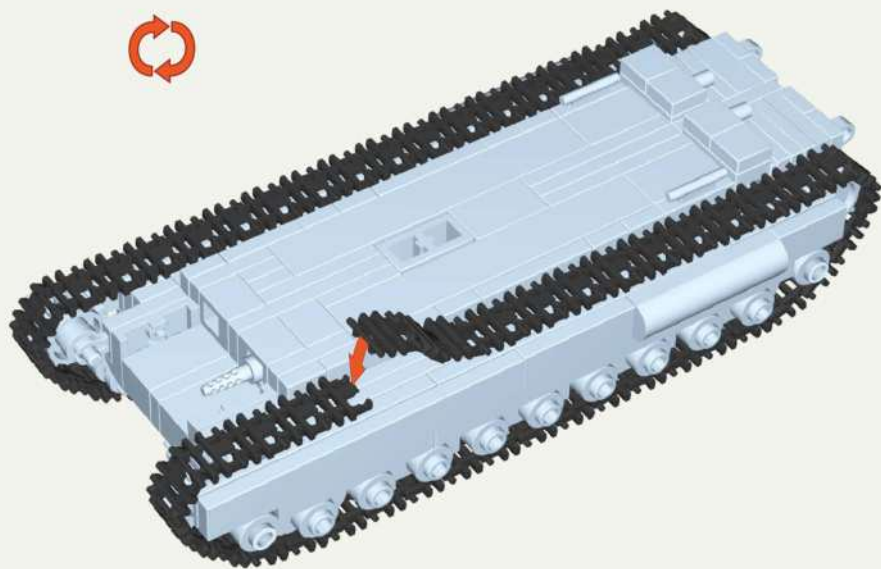


x1



x1

30



x40

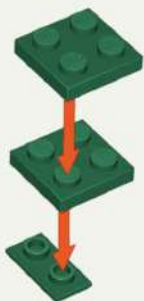


x2



x80

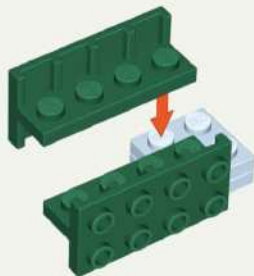
31



 x1

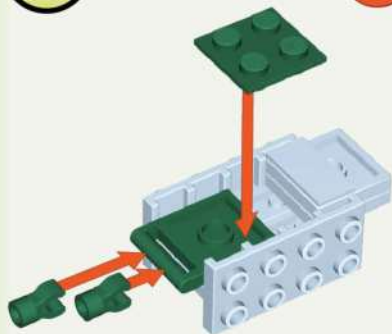
 x2

32



x2

33

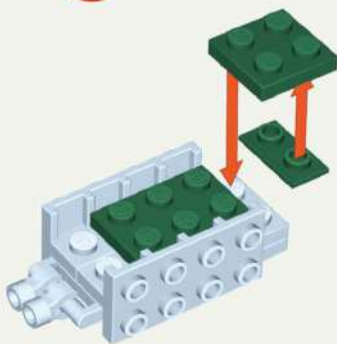


 x1

 x2

 x1

34

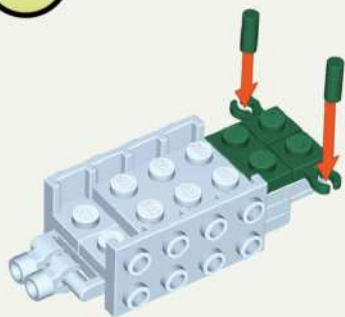


 x1

 x1

 x1

35

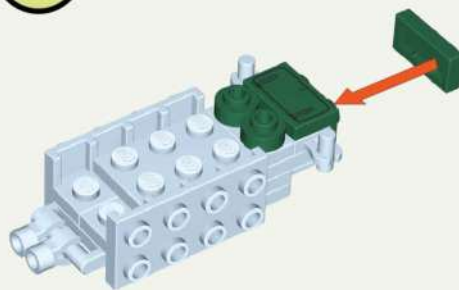


 x1

 x2

 x2

36



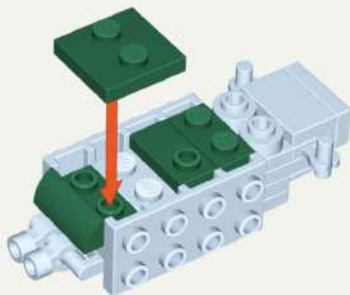
 x2

 x1

 x1

1:1

37



x1



x1

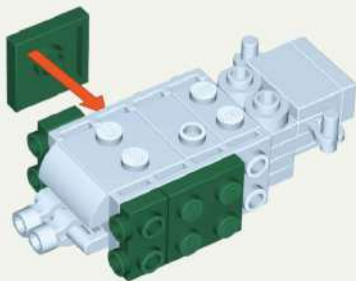


x1



x1

38



 x2

 x2

39



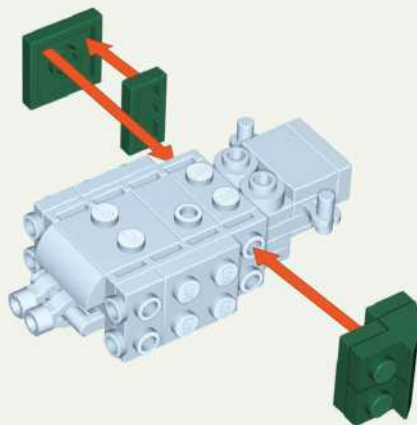
x3



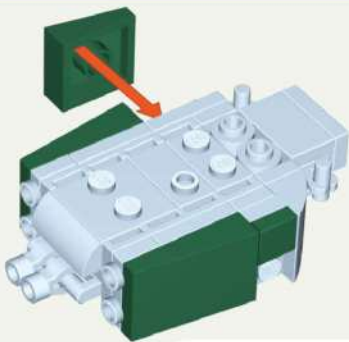
x2



x1



40



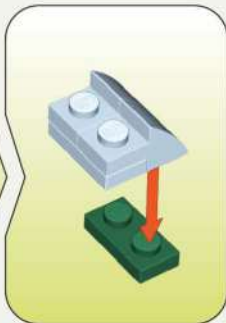
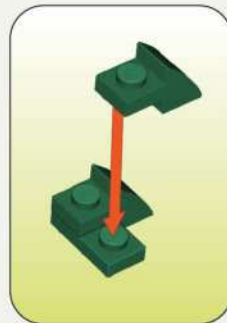
x2



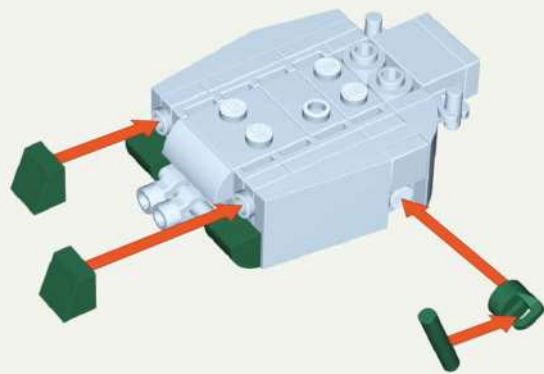
x1



x1



41



x2



x2

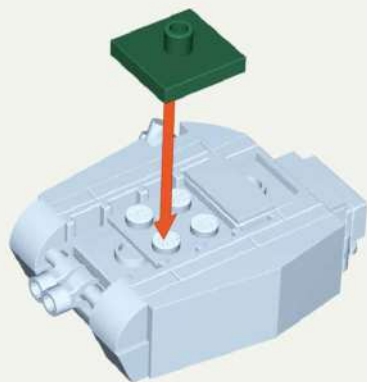


x1



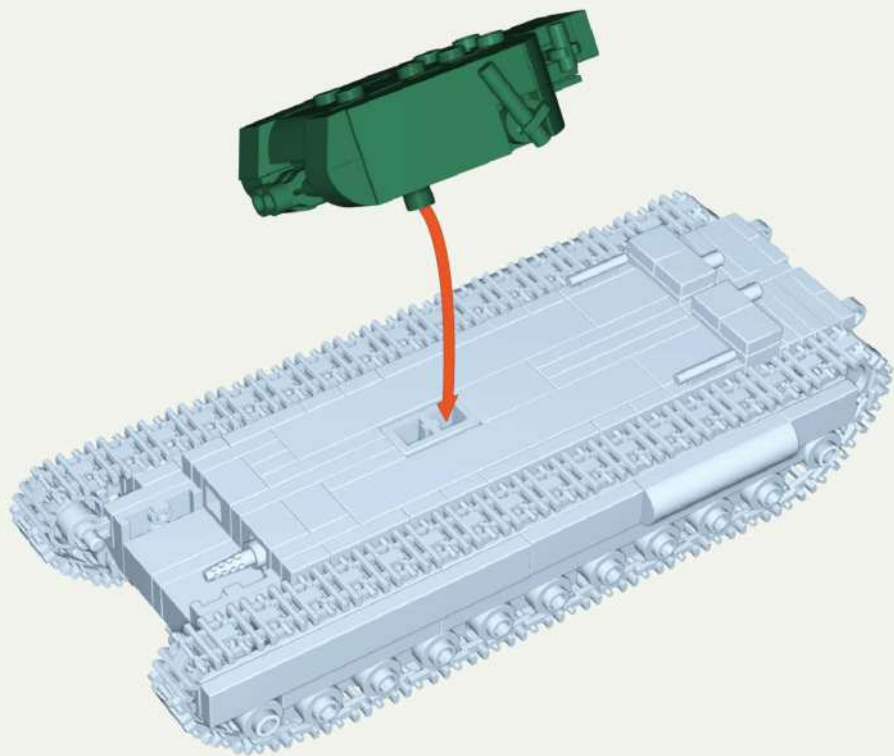
x1

42

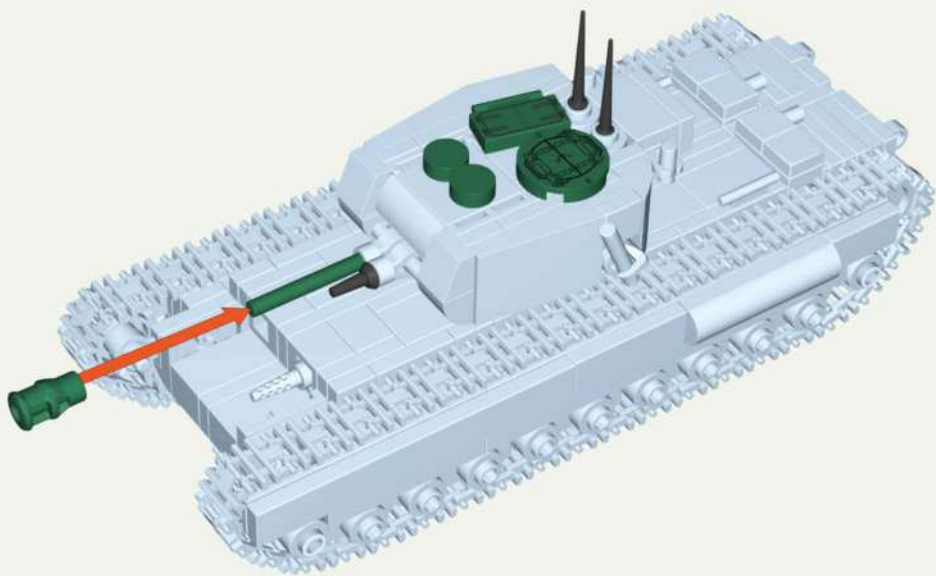


x1

43



44



x2



x1



x1



x2



x1



x1



x1



x3
144574



x4
94404



x4
59356



x2
144673



x7
144674



x2
144700



x32
125644



x5
94405



x2
147667



x2
144703



x2
100761



x2
144682



x2
100762



x3
147663



x10
67392



x1
66543



x2
144704



x2
144711



x1
147453



x4
147665



x4
147664



x3
94406



x2
144678



x2
100763



x6
94407



x1
120913



x2
94408



x1
147454



x1
66545



x4
128184



x1
94409



x2
100802



x10
120914



x2
128185



x2
107227



x5
66548



x2
94412



x2
67982



x2
120915



x1
110710



x2
147686



x1
94416



x2
102006



x1
147455



x1
147456



x4
147687



x2
147684



x1
147688



x1
147458



x2
147680



x1
147683



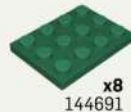
x3
122330



x2
147682



x1
102121





Sd.Kfz.7 HALF-TRACK

+ 2275



SHERMAN M4A1

scale 1:48

★ 2715



Sd.Kfz.10 DEMAG D7

+ 2273



T-34-85

SCALE 1:48

★ 2716



WARNING: CHOKING HAZARD-

Toy contains small parts.

Not for children under 3 years.

For
news and
special deals

Find us on:



WWW.COBI.EU

18-02717-314