

HISTORICAL COLLECTION

WORLD WAR II



2262

1935 HORCH830BK CABRIOLET

PRODUCTION - 1935-1940
PLACE OF ORIGIN - GERMANY
TYPE - CABRIOLET
NUMBER OF SEATS - 4
LENGTH - 5m (16,6FT)
WEIGHT - 2100KG (4630LB)
ENGINE - V8, 3823CM³ (91KM)
MAXIMUM SPEED - 125KM/H (78MPH)

PAD PRINTED
NO STICKERS

Printed in EU



UK
CA

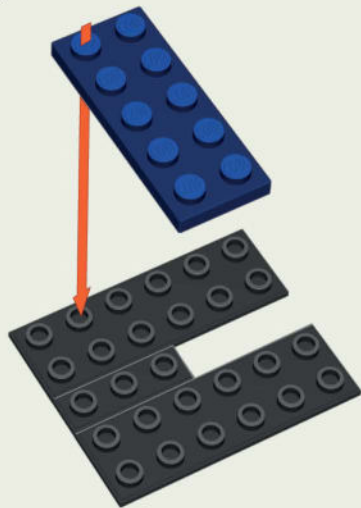


243  1 

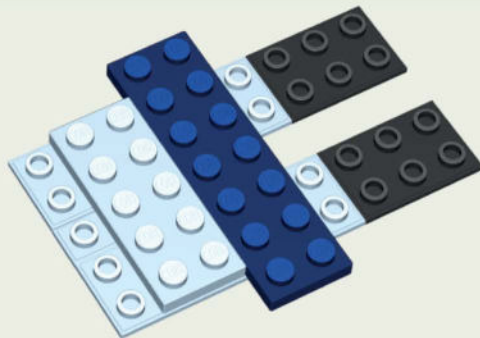
HORCH830BK CABRIOLET

SCALE 1:35

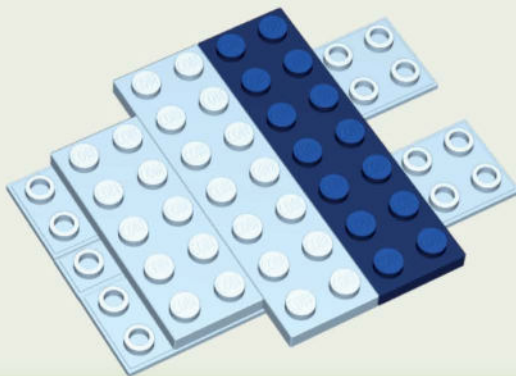
1



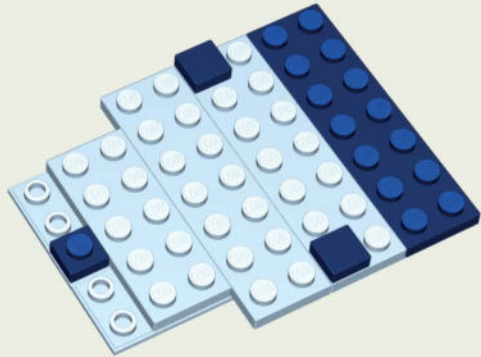
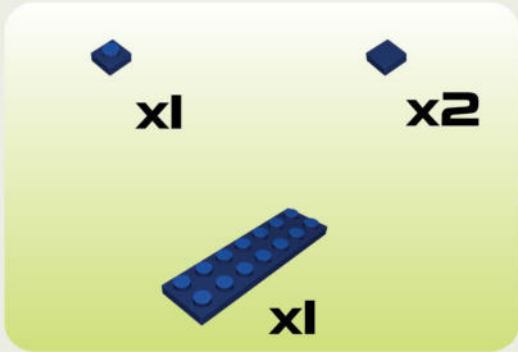
2



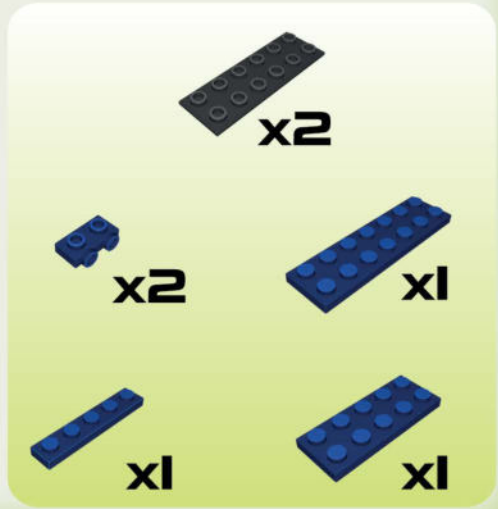
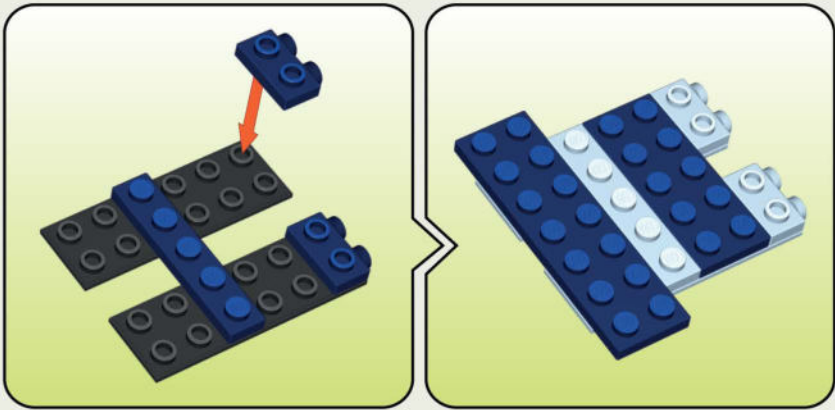
3



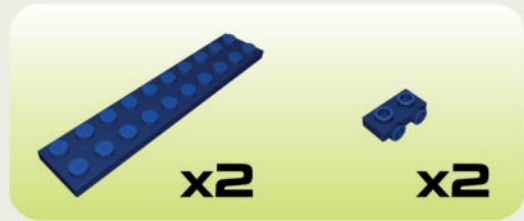
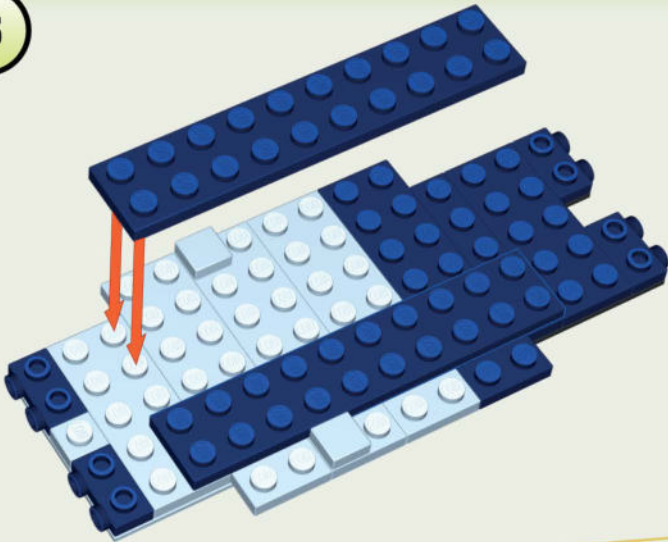
4



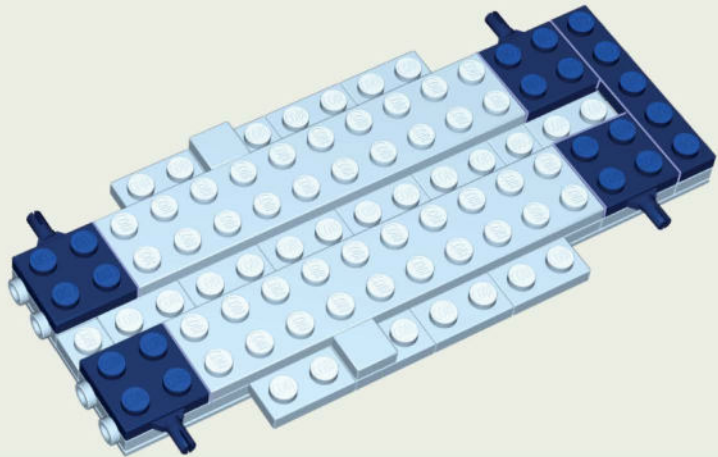
5



6



7



8

1:1



x2



x2



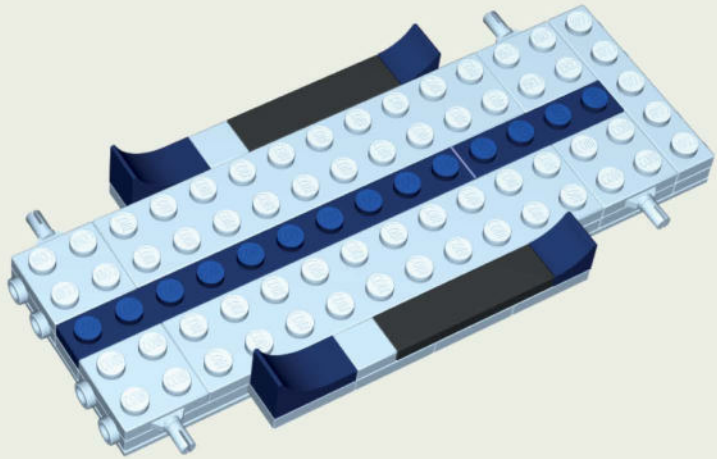
x2



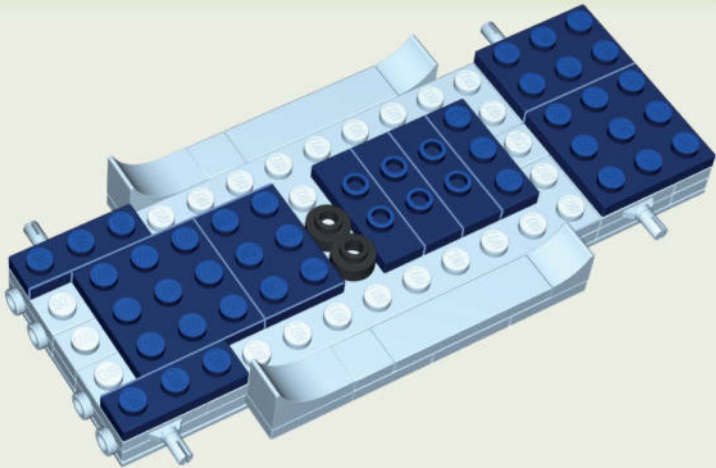
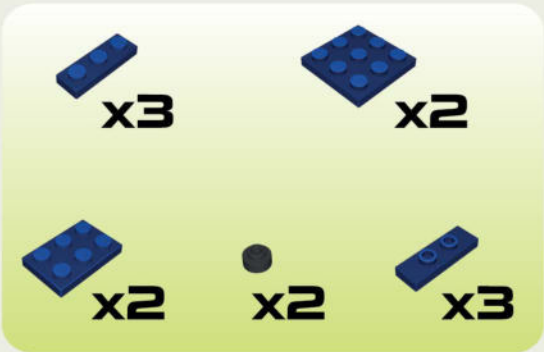
x1



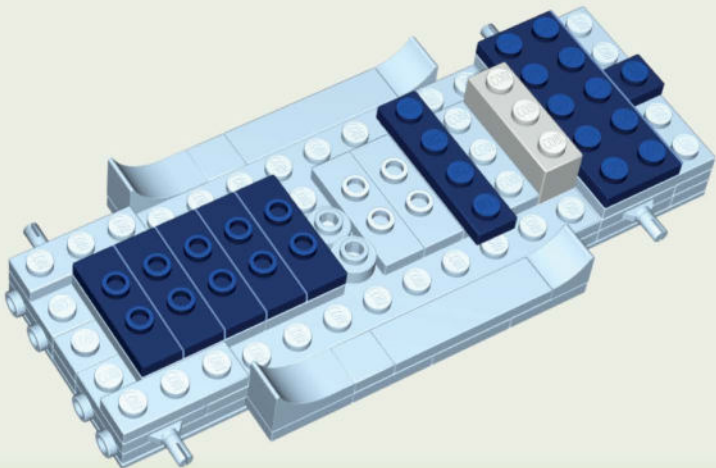
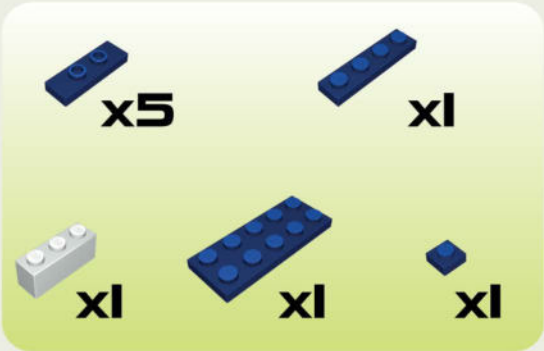
x1



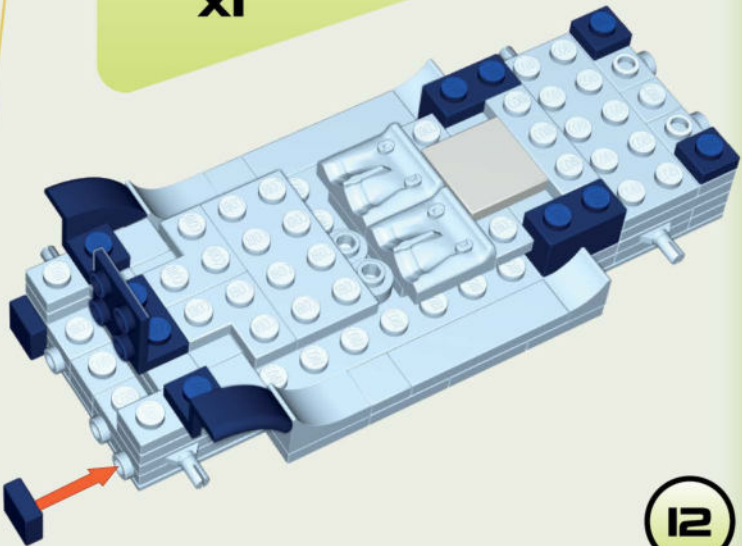
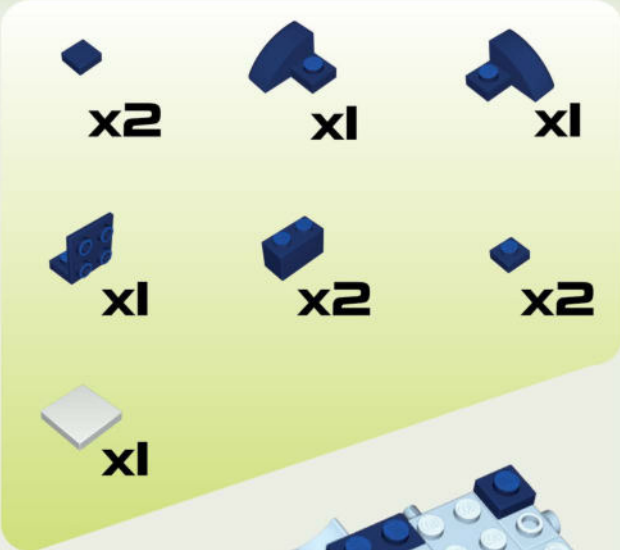
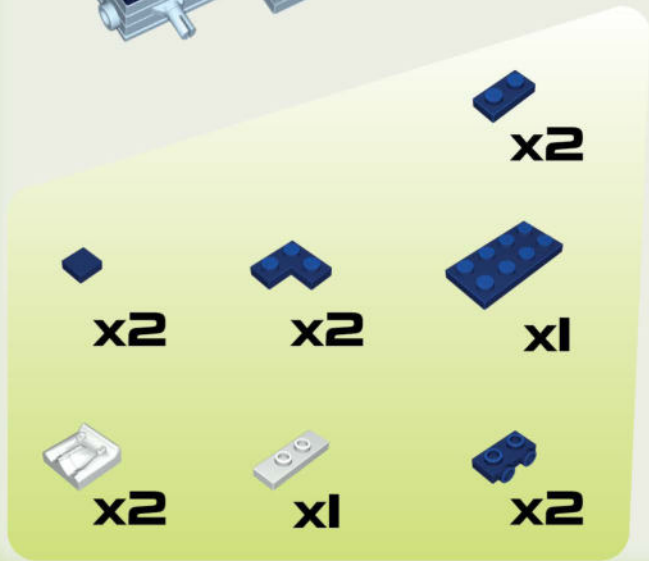
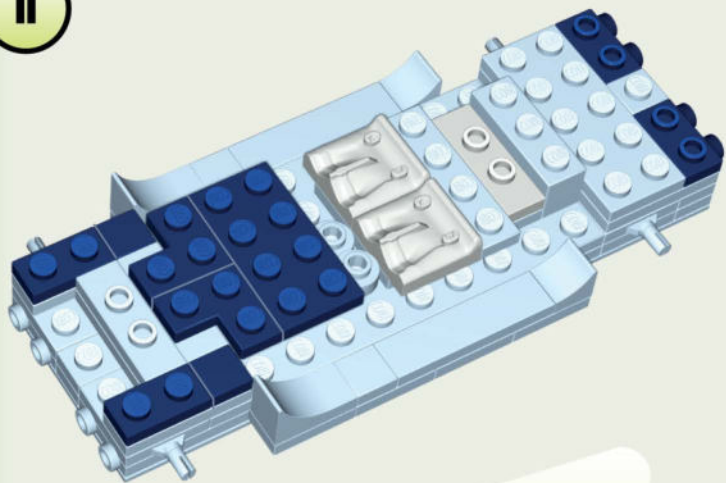
9



10

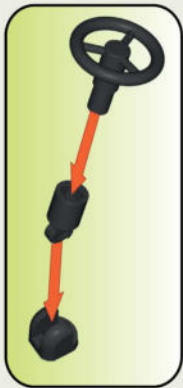
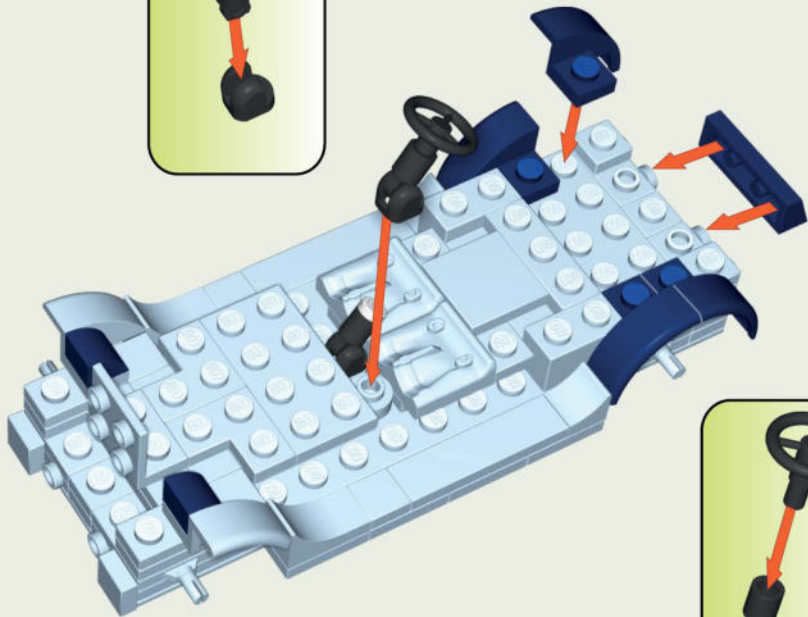
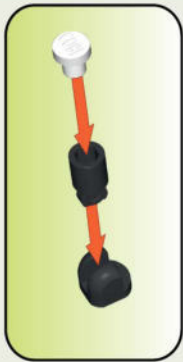










II



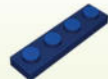
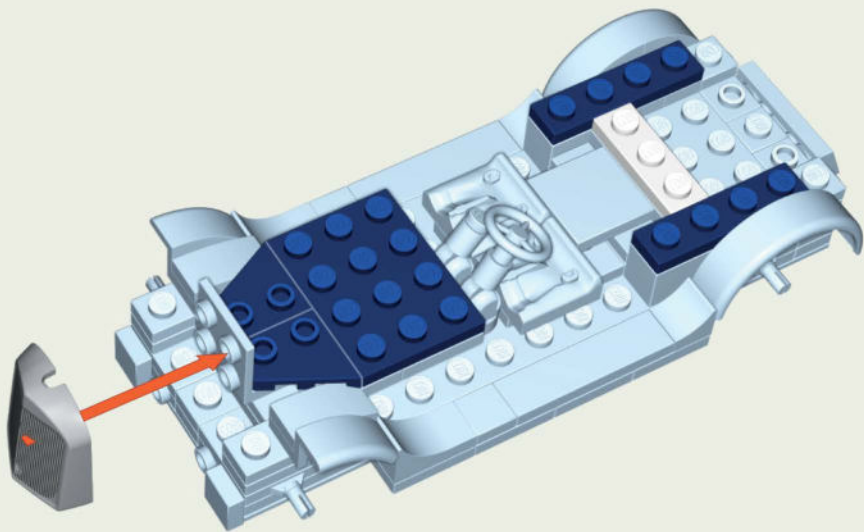
12

13



- | | |
|---|---|
| 
x2 | 
x2 |
| 
x2 | 
x1 |
| 
x2 | 
x2 |
| 
x1 | 
x1 |

14



x2



x1



x1



x1



x1



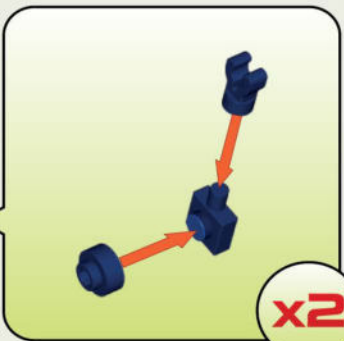
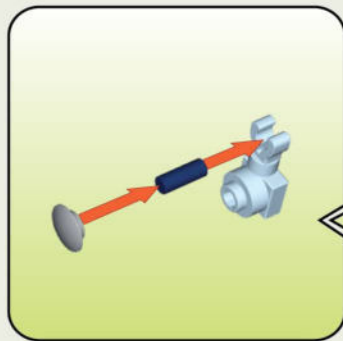
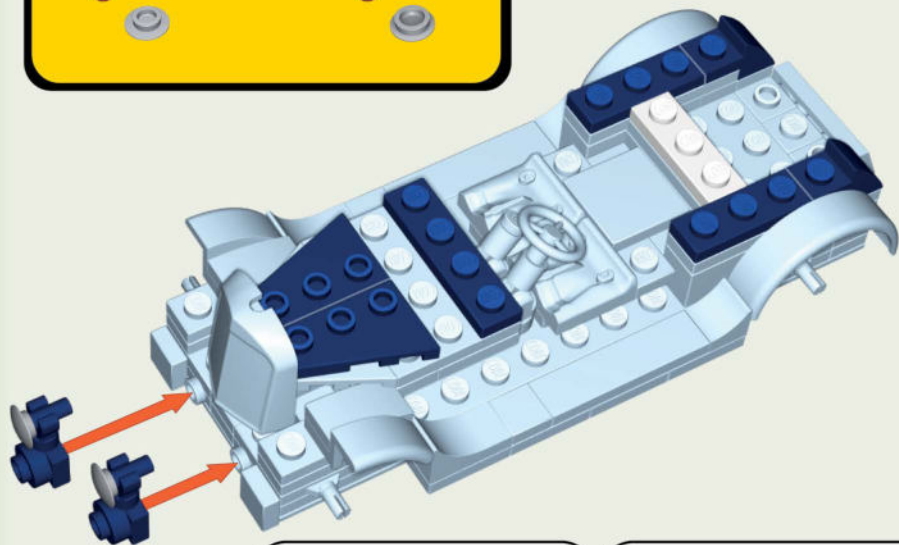
x1

BE CAREFUL: NOTICE THE DIFFERENCE

A



B



15



x2



x2



x1



x1



x1



x1



x2



x2



x2



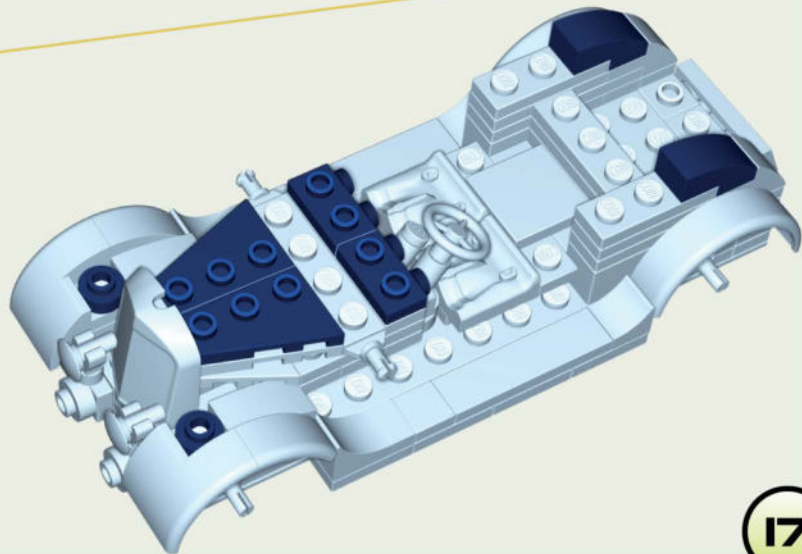
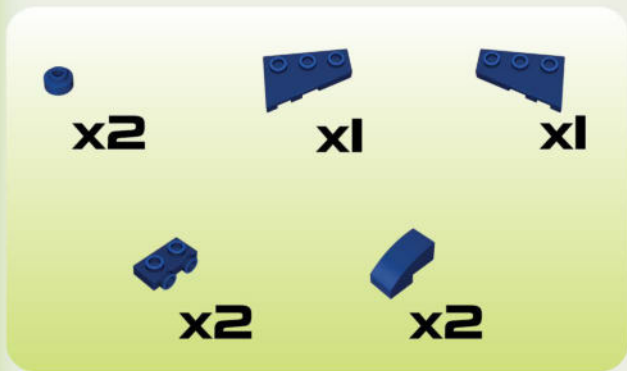
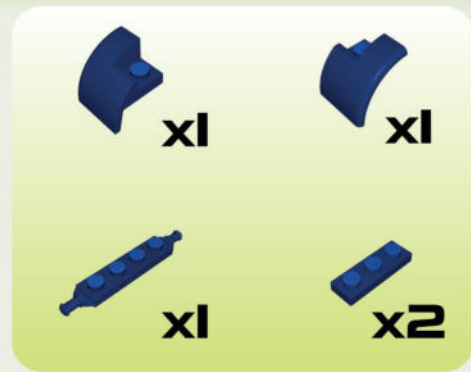
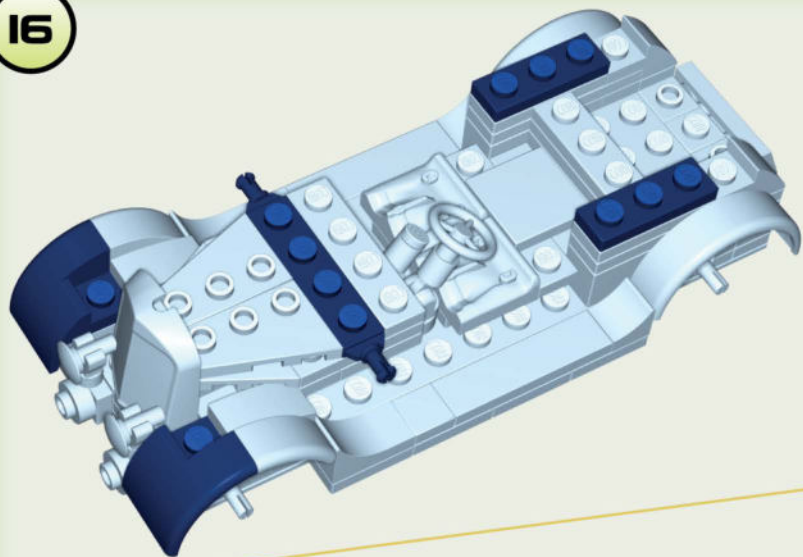
x2

A

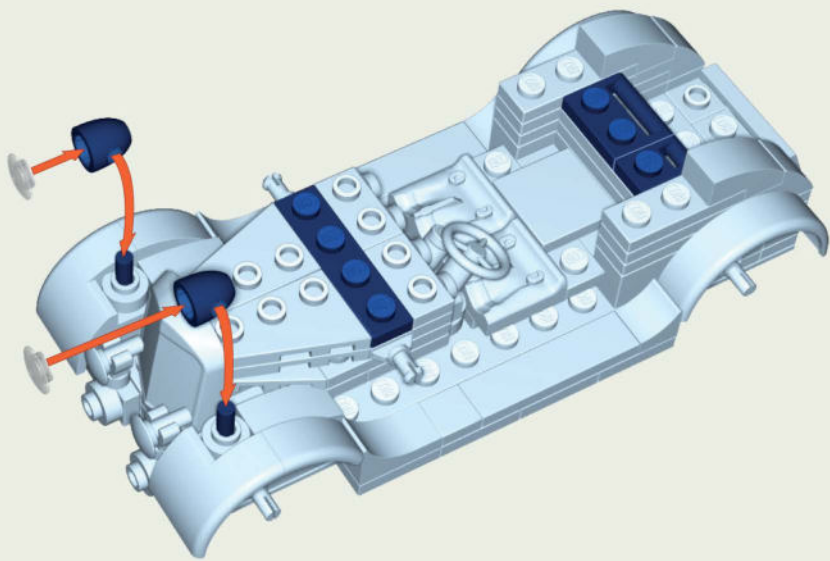


x2

16



17




x2

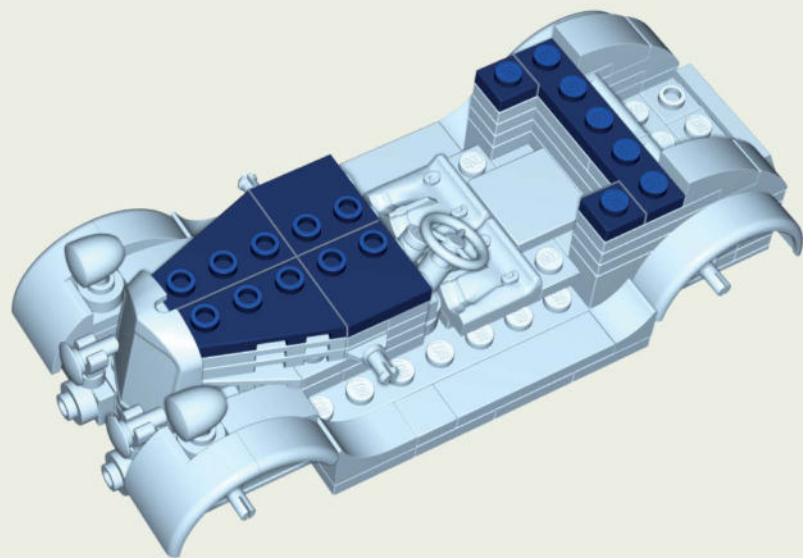

x2


x2


x1


x1


x1



x1



x1



x2



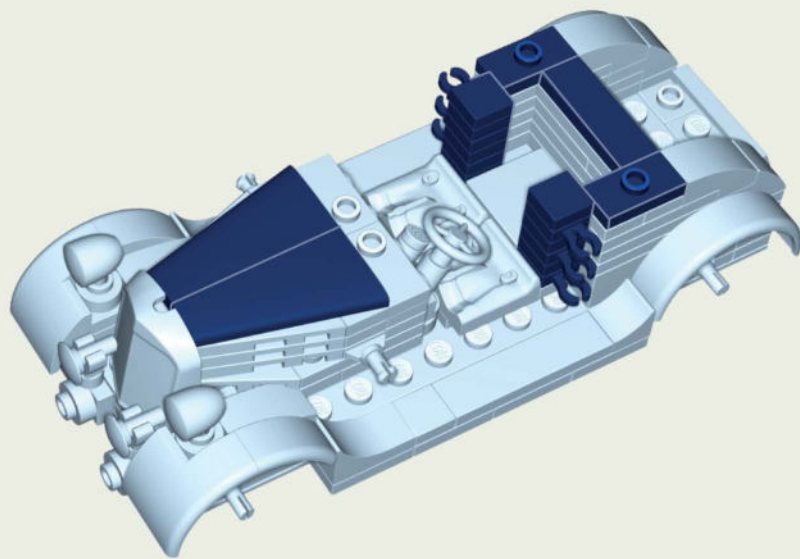
x2



x1

20

x2



1:1



x6



x4



x2



x1



x1

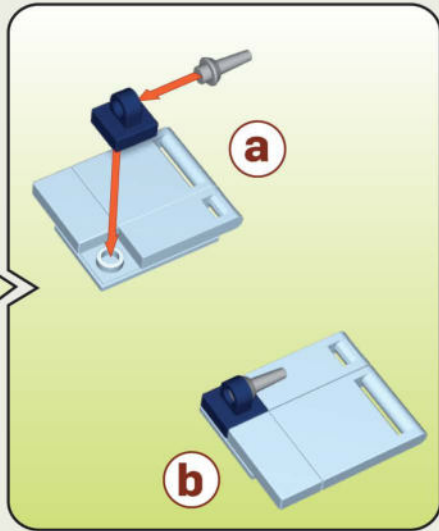
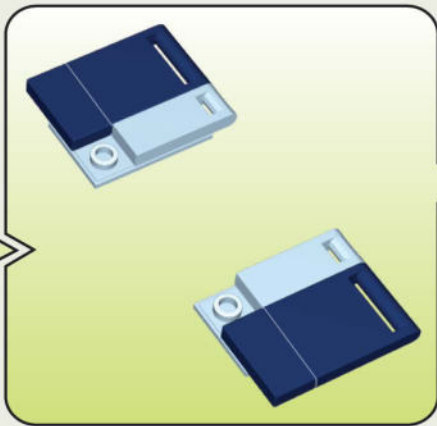
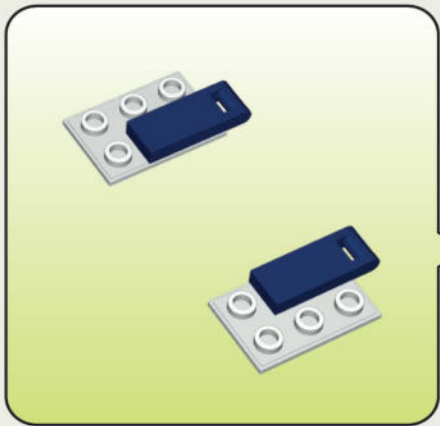


x2



x1

21



1:1



x2



x2



x2



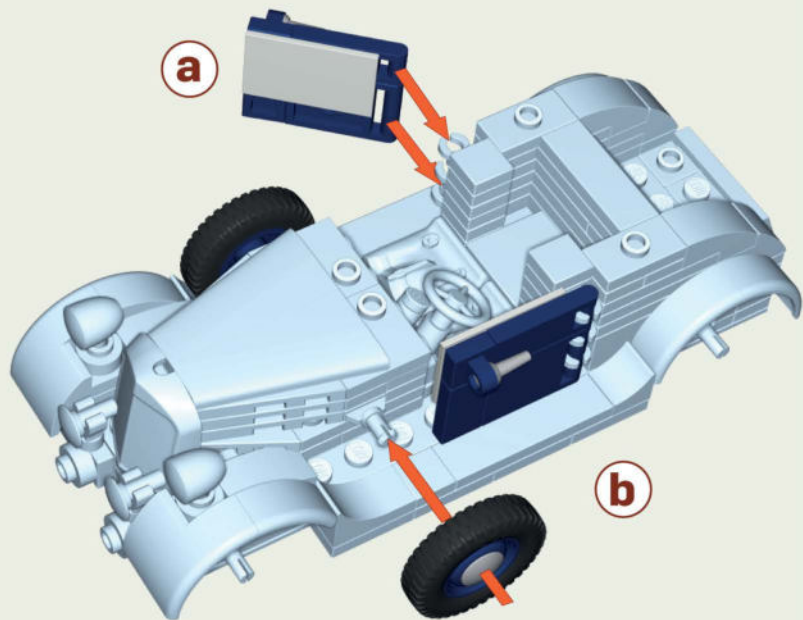
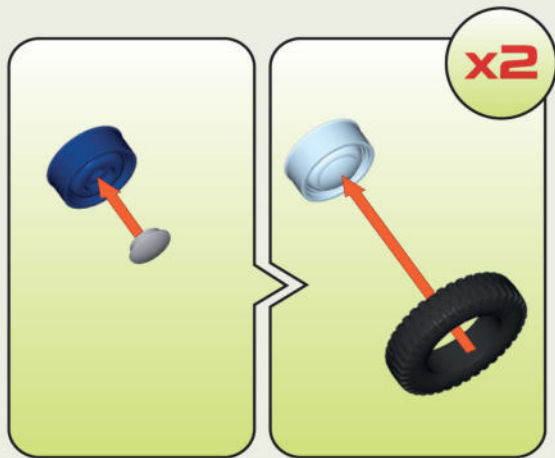
x2

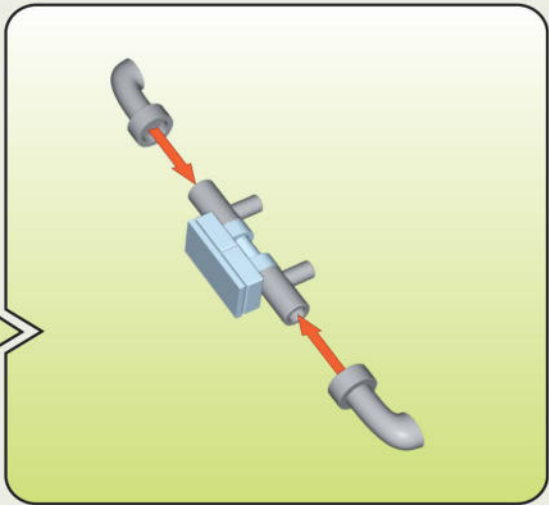
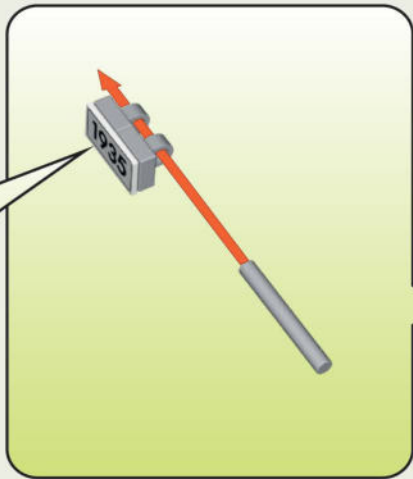
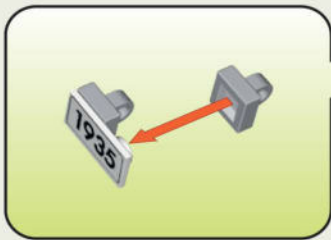


x2



x2





x1



x2



x1

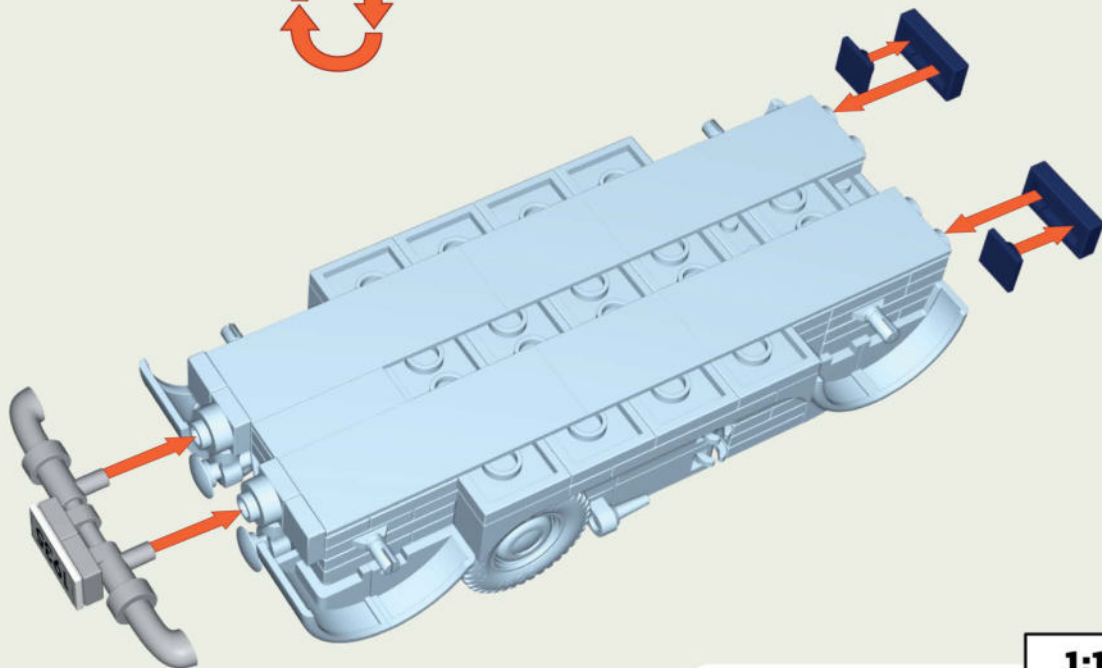


x2



x2

24



1:1

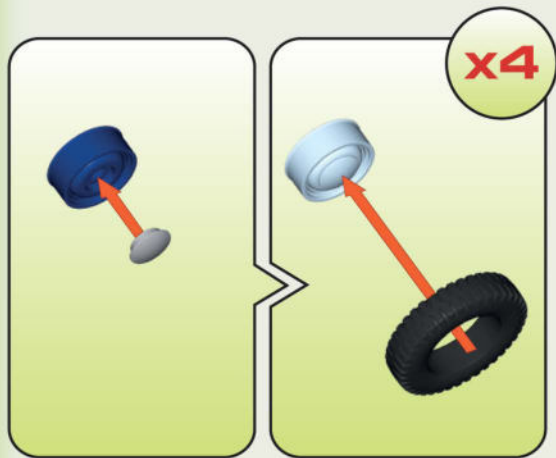


x2



x2

25



®



x4

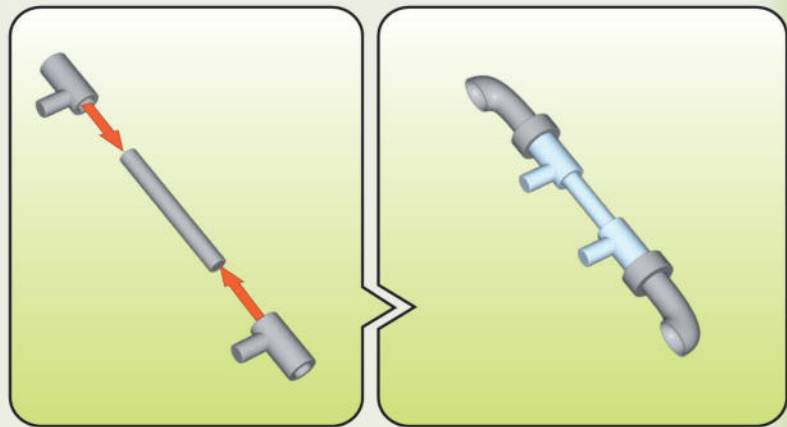


x4



x4

26



x1

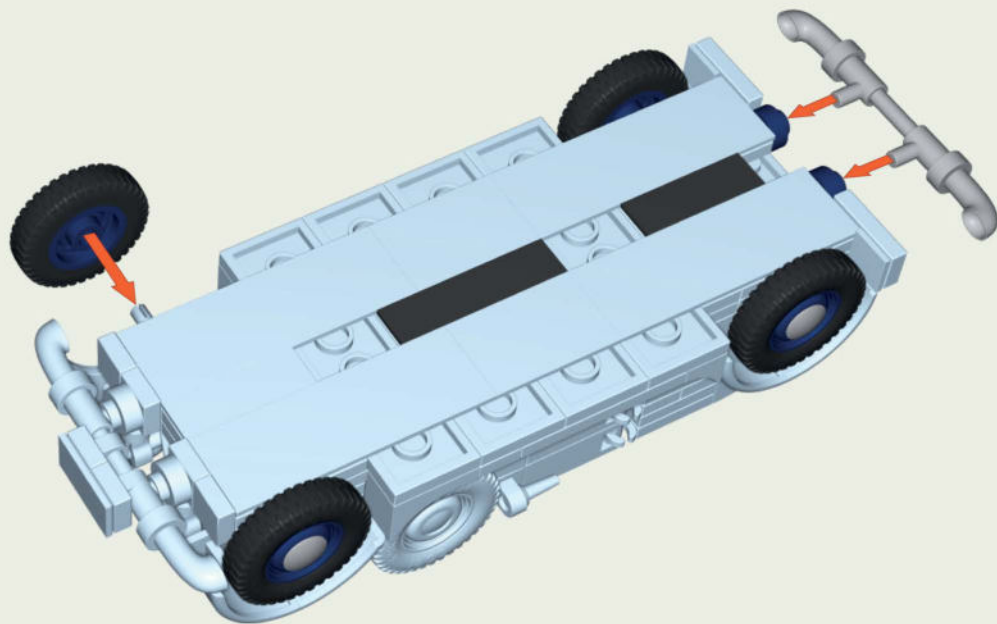


x2



x2

27



x1






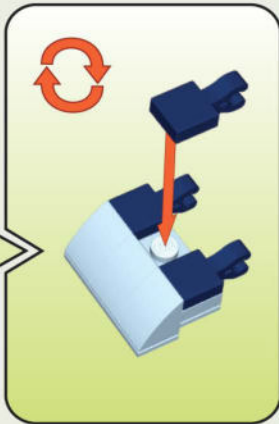
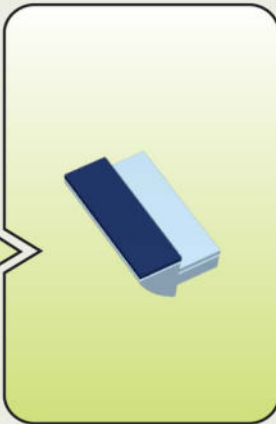
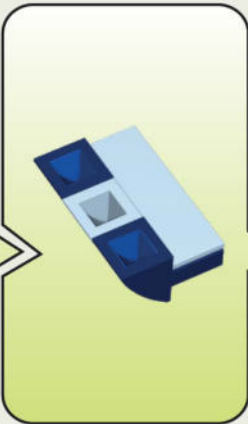
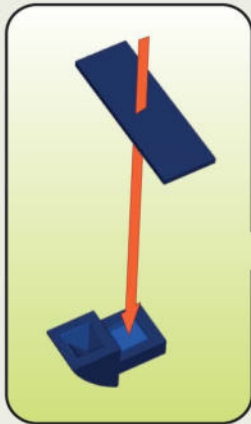
x1



x2

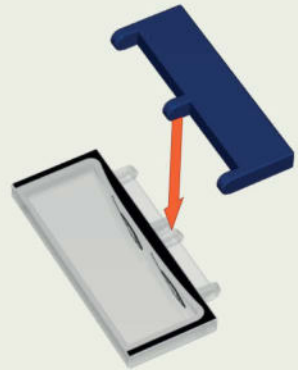
28

-  x2
-  x3
-  x3

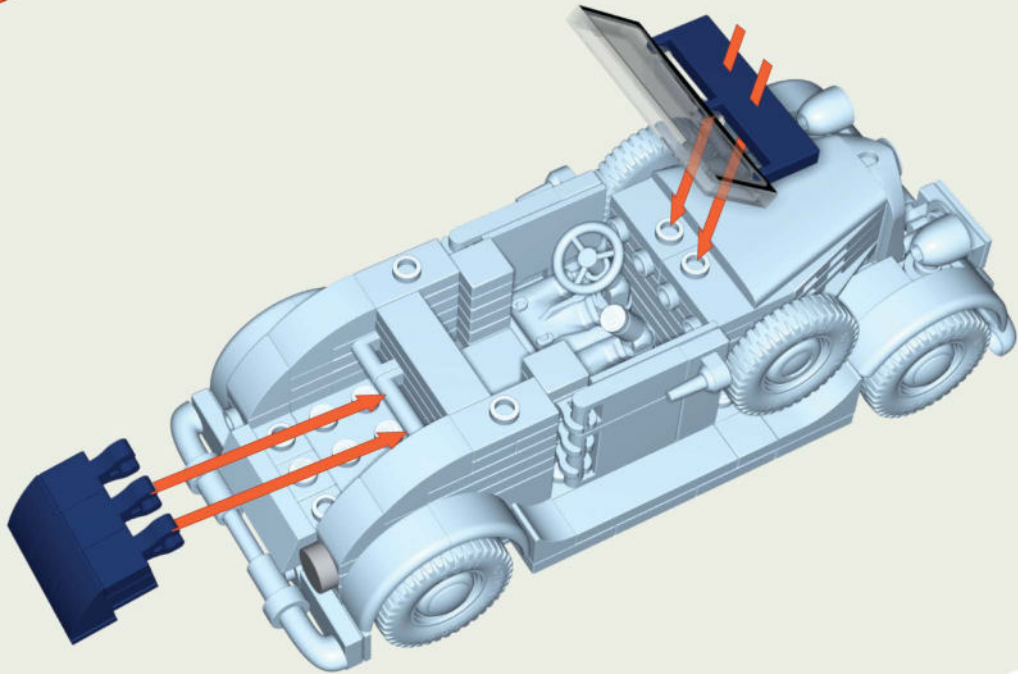


29

-  x1
-  x1



30



xl

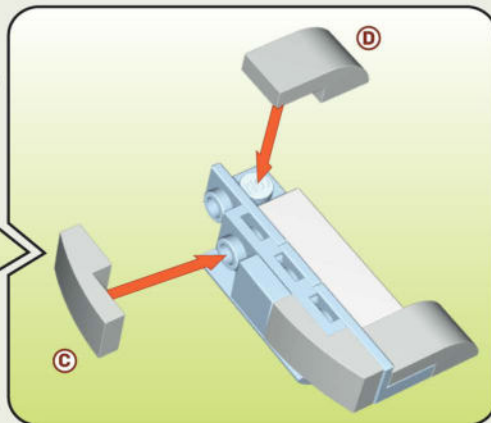
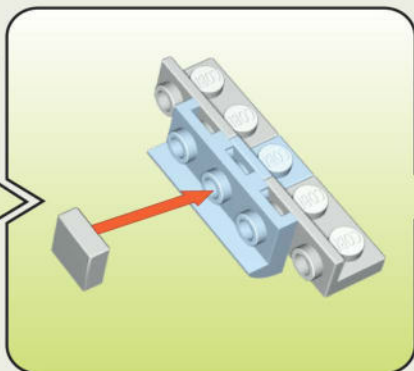
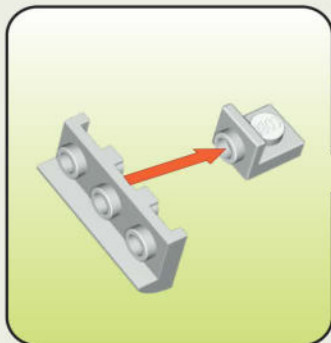
31

BE CAREFUL: NOTICE THE DIFFERENCE

C



D



1:1



x1



x1



x2



x1



x2

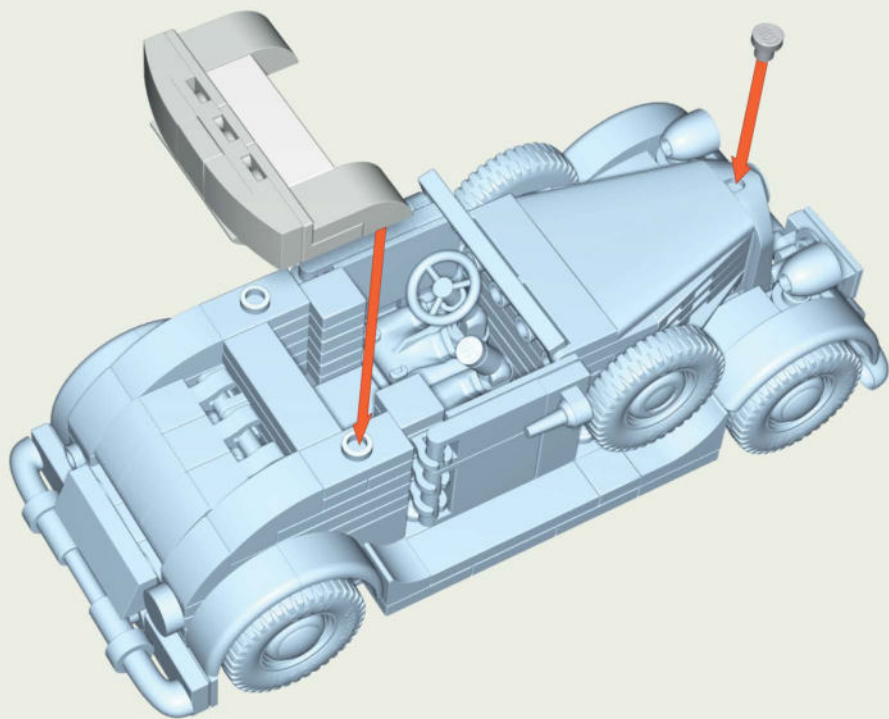


x2



x1

32



x1



x1
110406



x10
48787



x8
95038



x3
137526



x1
125135



x2
124771



x6
124065



x1
92880



x8
92160



x1
97309



x2
136536



x2
118380



x2
91680



x2
129912



x5
116760



x2
112268



x2
126302



x2
48788



x1
136531



x2
131776



x4
57244



x8
90484



x2
91682



x2
137530



x2
57442



x2
137528



x2
137529



x1
138637



x2
42956



x7
57211



x1
95092



x1
117059



x1
118292



x8
136542



x1
99327



x1
137008



x2
109025



x2
136540



x6
48789



x2
61577



x1
137541



x1
132425



x1
134106



x3
81070



x2
48792



x1
92891



x4
137538



x1
110192



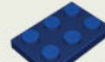
x1
110193



x2
119829



x2
137539



x2
62336



x2
115868



x2
120917



x1
48793



x1
136529



x1
136530



x3
112271



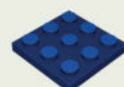
x1
137009



x4
124080



x4
112272



x2
123031



x1
95011



x1
136389



x1
137540



x1
137542



x2
137544



x2
137561



x1
137531



x1
137532



x1
105552



x1
92463



x4
117789



x6
136391



x2
133020



x3
137524



x2
137534



x1
130791



x6
137527



x2
110699



x4
94732



x2
108911



x2
137535



x6
127887



x2
44568



x4
137525



x2
85816



x3
137536



x3
137537



x1
86875



x2
136539



x2
137543



x1
57218



x1
136481



x1
136498



x1
44049



x2
136537



x1
55823



x2
55829

Customer Service
Kundenservice
Obsługa Klienta

www.cobi.eu/service



U-BOOT U-47 (TYP VIII B)

+ 4828

HISTORICAL
COLLECTION



PATROL TORPEDO BOAT PT-109

★ 4825



DE GAULLE'S
HORCH 830BL

 2261



POLISH ARMY 1939

 2049



CITROËN
TRACTION 7A

 2263



CITROËN TRACTION 7C

 2264



JAGDPANZER 38(t) "HETZER"

+ 2558



WARNING: CHOKING HAZARD-

Toy contains small parts.

Not for children under 3 years.

WWW.COBI.EU

00-02262-236

For
news and
special deals

Find us on:

