

HISTORICAL COLLECTION

WORLD WAR II



Sd.Kfz.10 DEMAG D7



Sd.Kfz.10 DEMAG D7

PLACE OF ORIGIN - GERMANY
IN SERVICE - 1937-1945
TYPE - LIGHT HALF-TRACK
LENGTH - 4,75M (15,6FT)
WEIGHT - 3400KG (7,496LB)
ENGINE - 4,2L MAYBACH HL108 TUKRM
SPEED - 65KM/H (40MPH)
RANGE - 285KM (177MI)
CREW - 2+6



2273

PAD PRINTED
NO STICKERS

Printed in EU

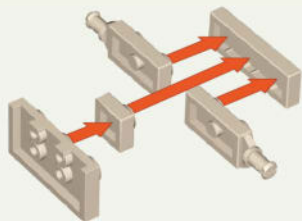


280  1 

Sd.Kfz.10 DEMAG D7

SCALE 1:35

1



1:1



x1



x2

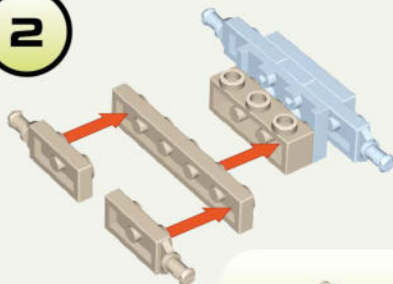


x1



x1

2



x1

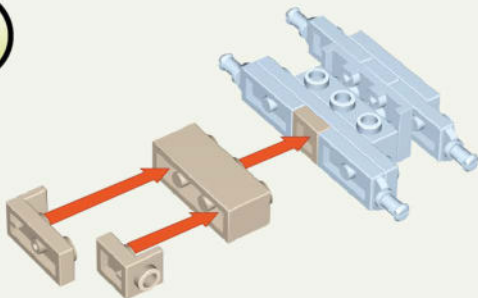


x1



x2

3



x1



x1

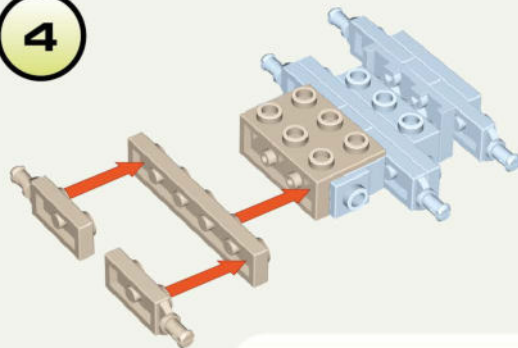


x1



x1

4



x1

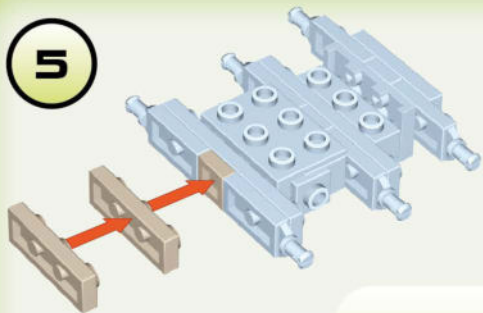


x1



x2

5

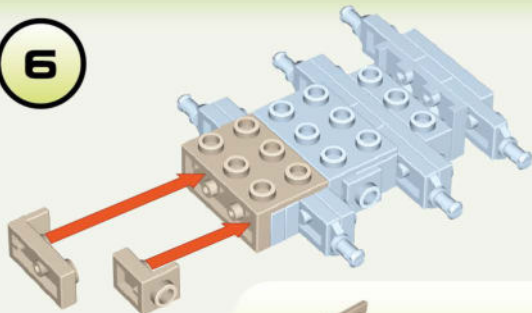


x1



x2

6



x1

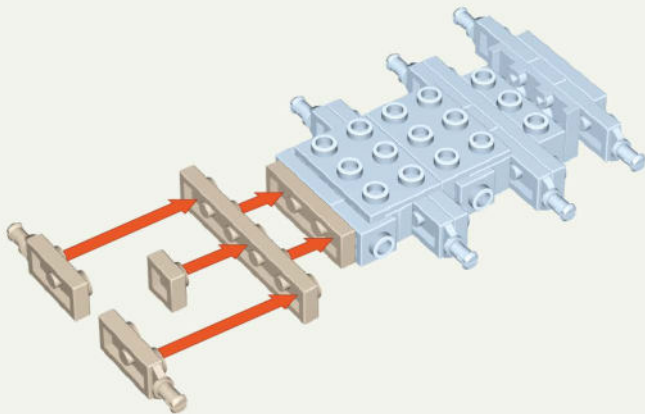


x1



x1

7



x1



x1

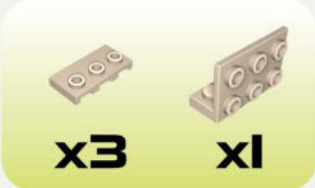
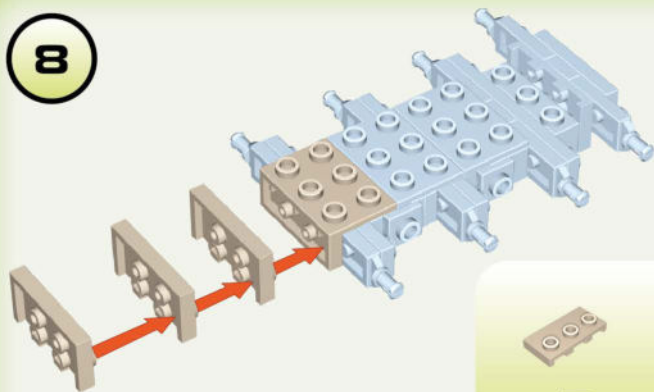


x1

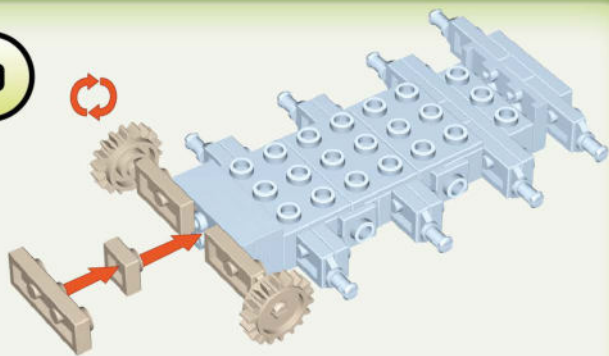


x2

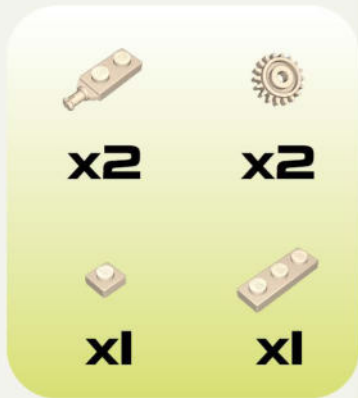
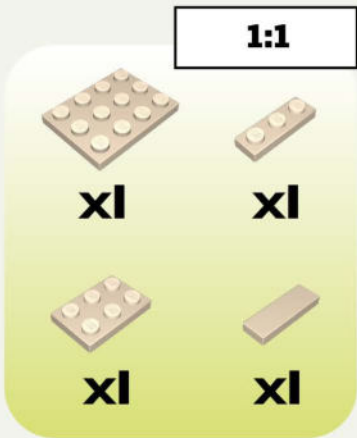
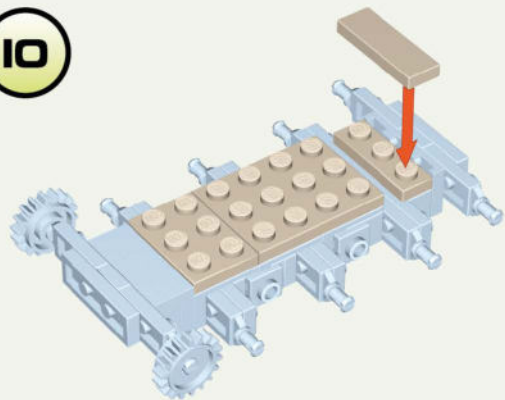
8



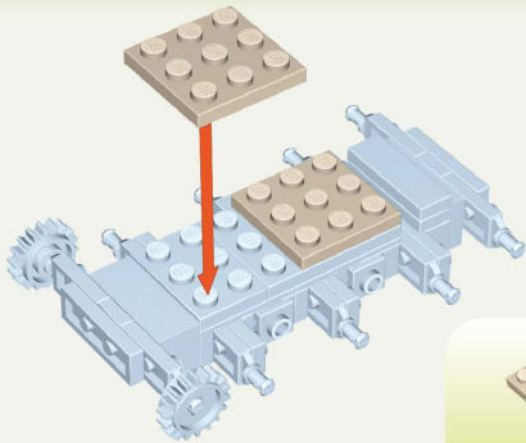
9



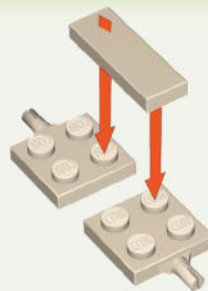
10



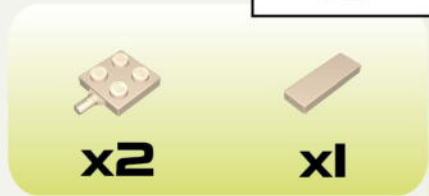
11



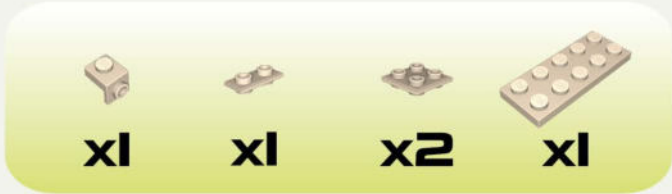
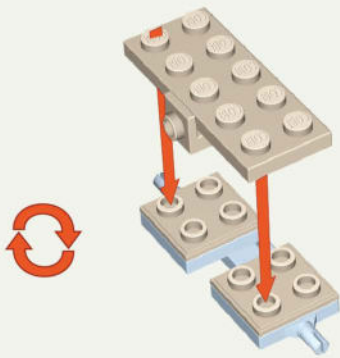
12



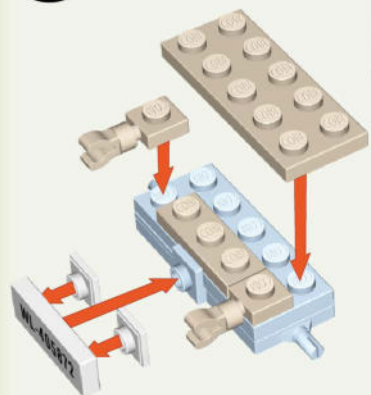
1:1



13



14



x2



x2



x1



x1

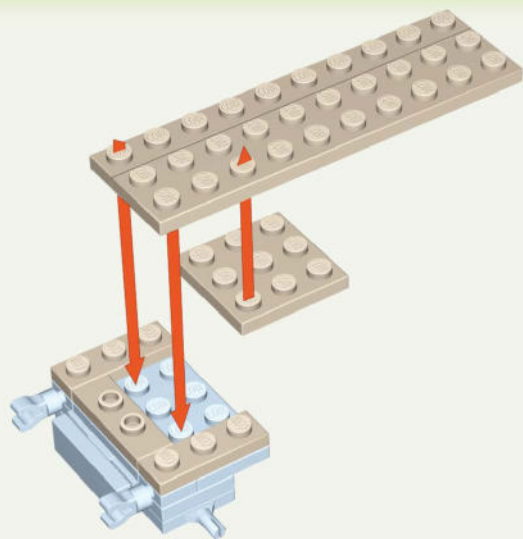


x2



x1

15



x2



x1



x1

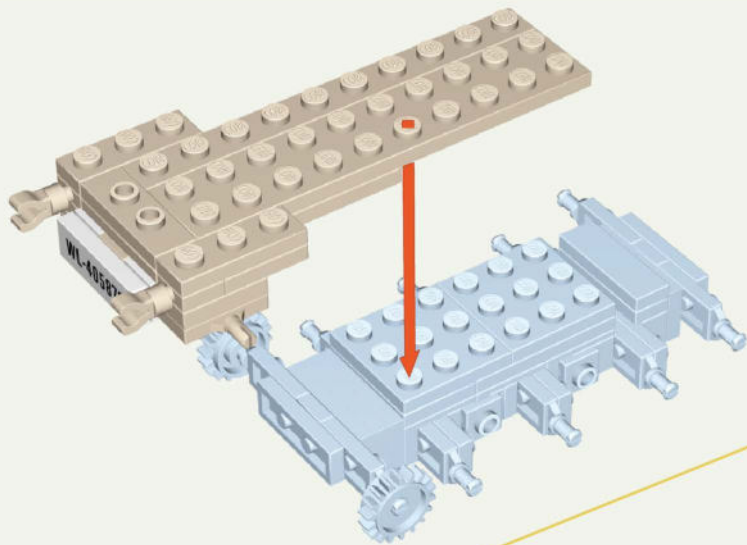


x1

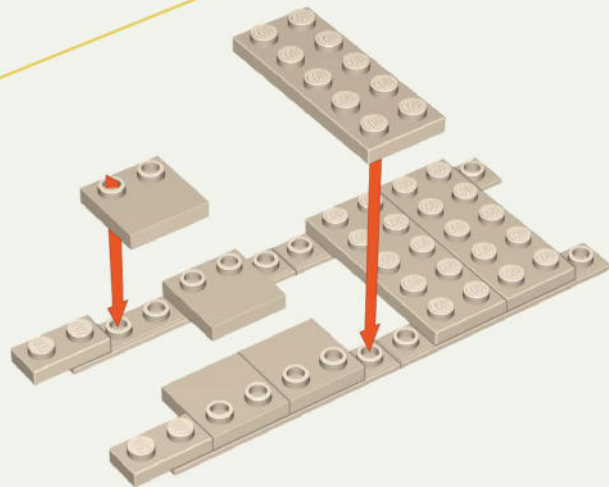






x1

16

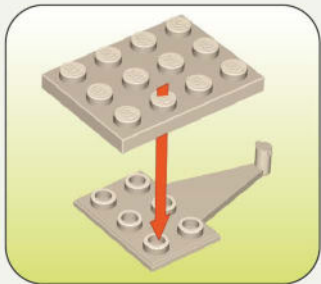


17

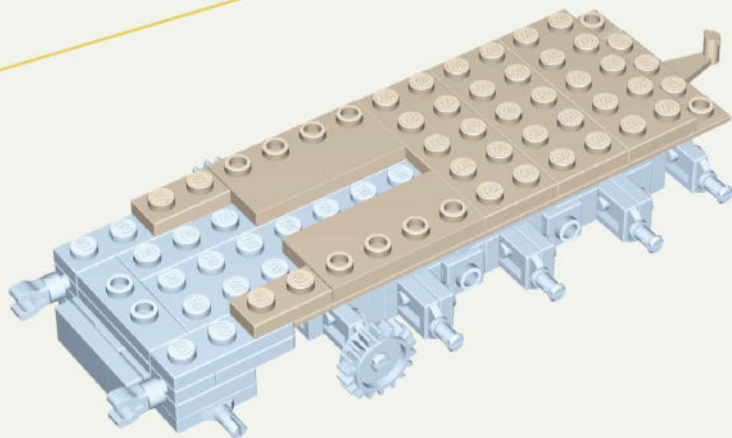


-  x4
-  x2
-  x3
-  x4

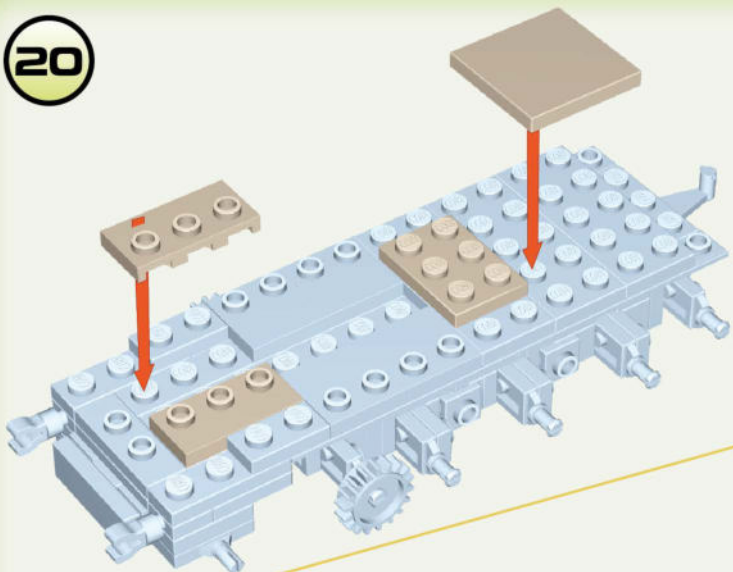
18



19

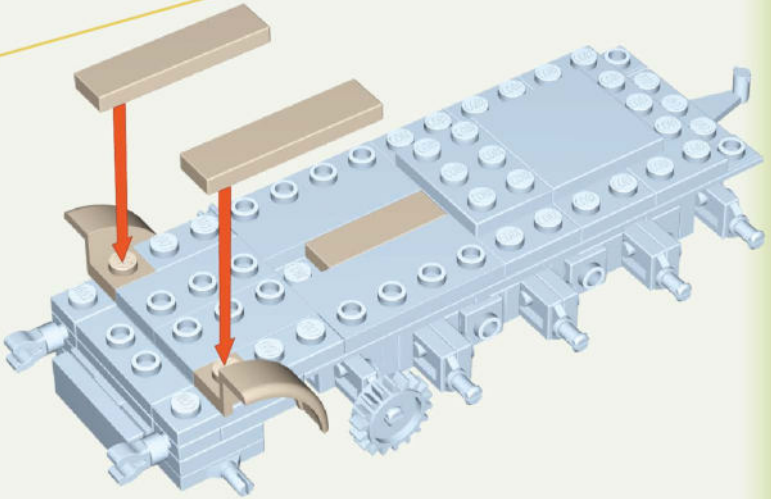


20



x1	x2	x1

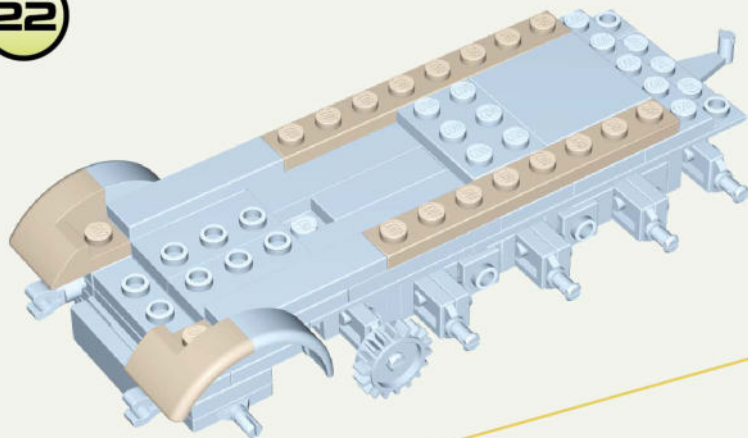
21



1:1	1:1
------------	------------

x1	x1	x1	x2

22



x2

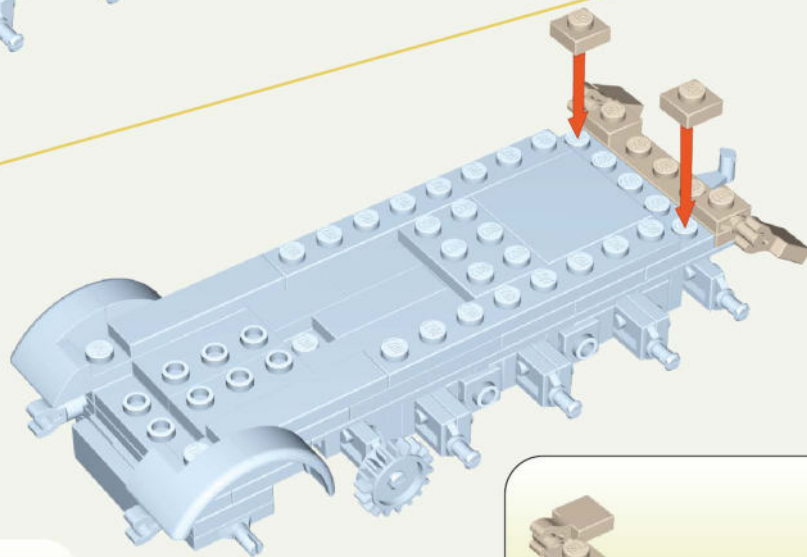


x1



x1

23



x1



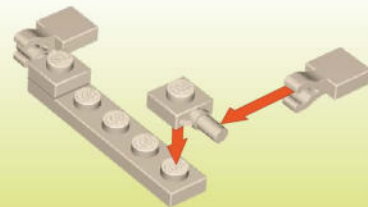
x2



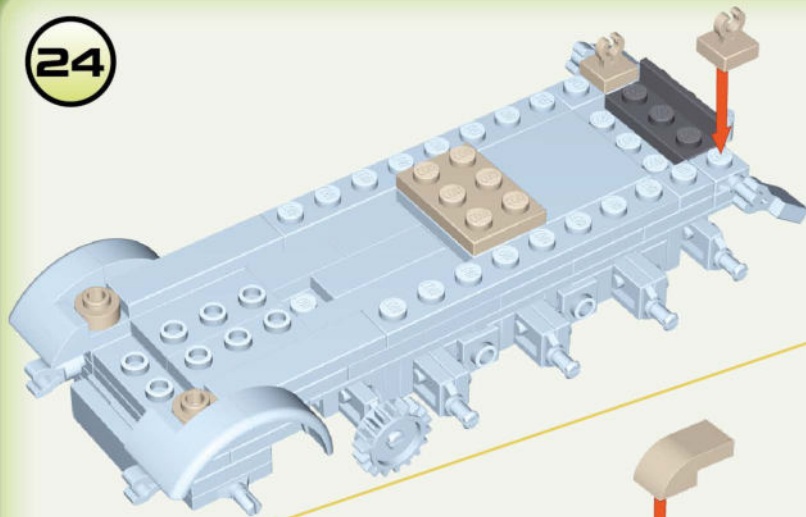
x2







x2







24

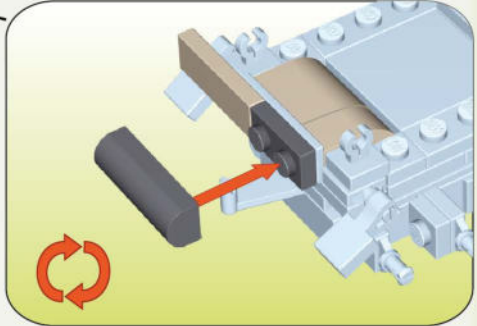
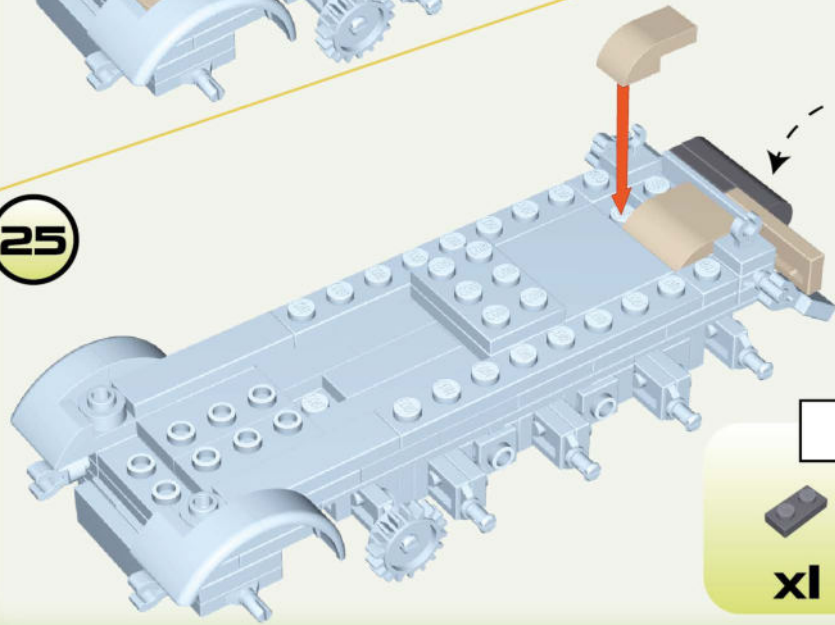


			
x1	x1	x2	x2

BE CAREFUL: NOTICE THE DIFFERENCE

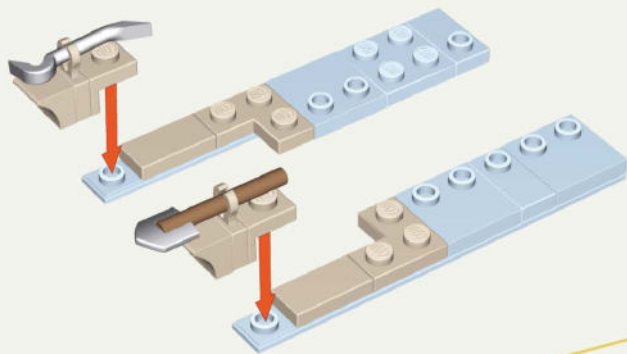
25



1:1

				
x1	x1	x1	x1	x1

29



1:1

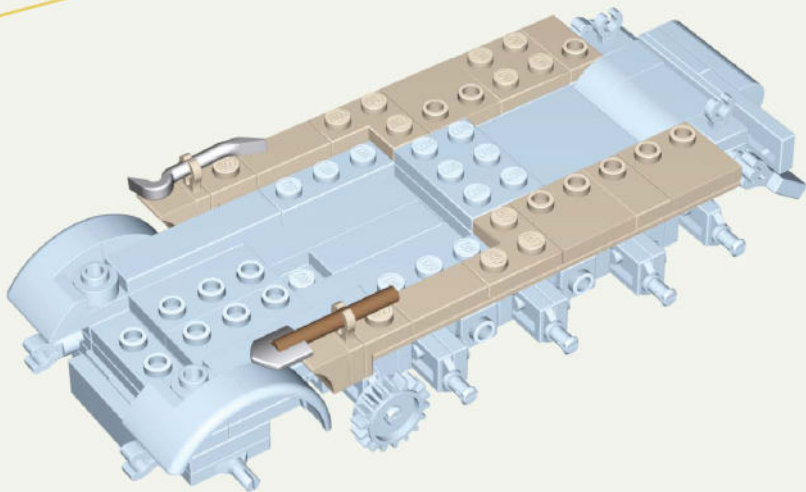


x2

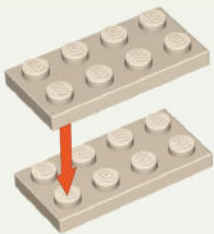


x2

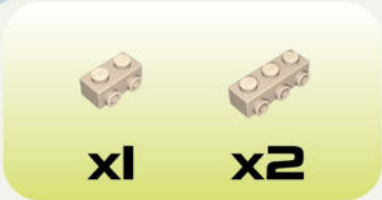
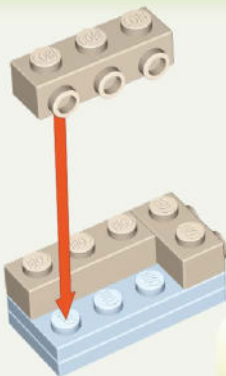
30



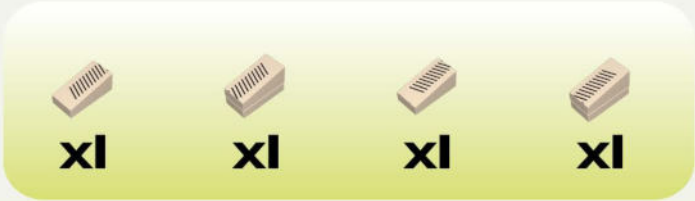
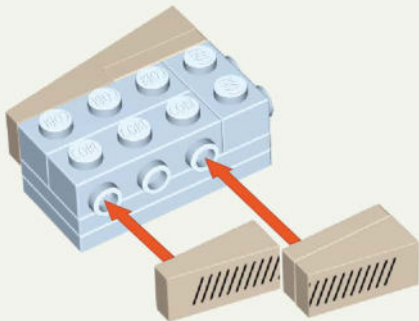
31



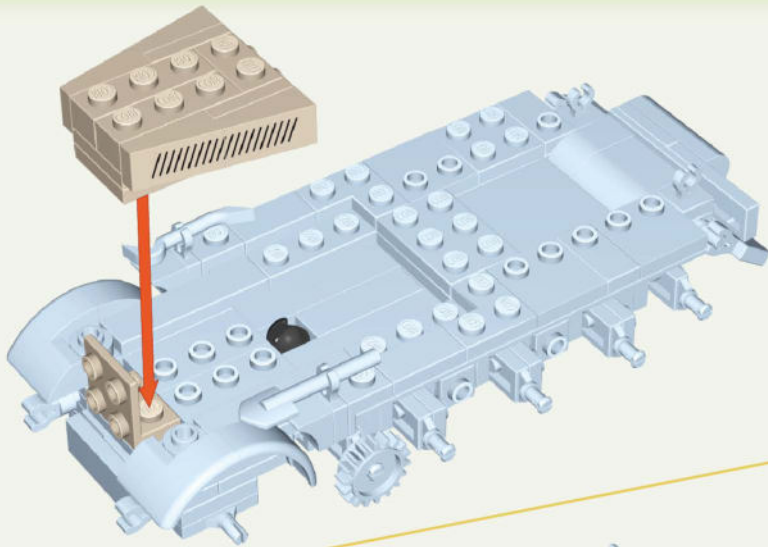
32



33

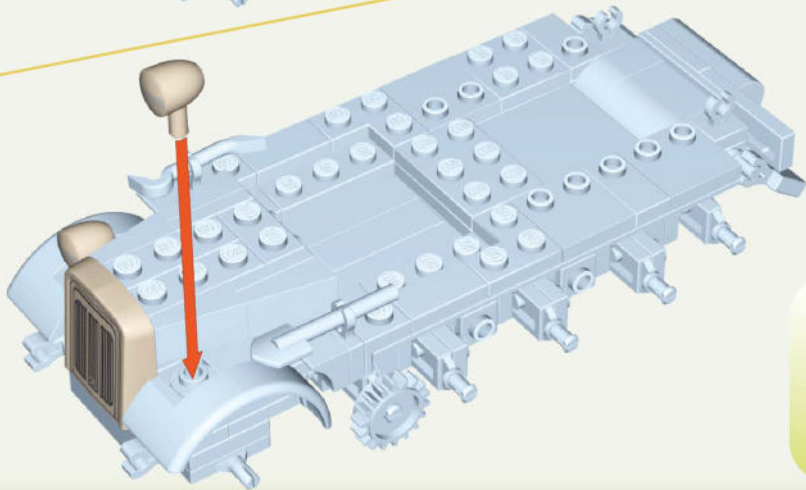


34



x1 x1

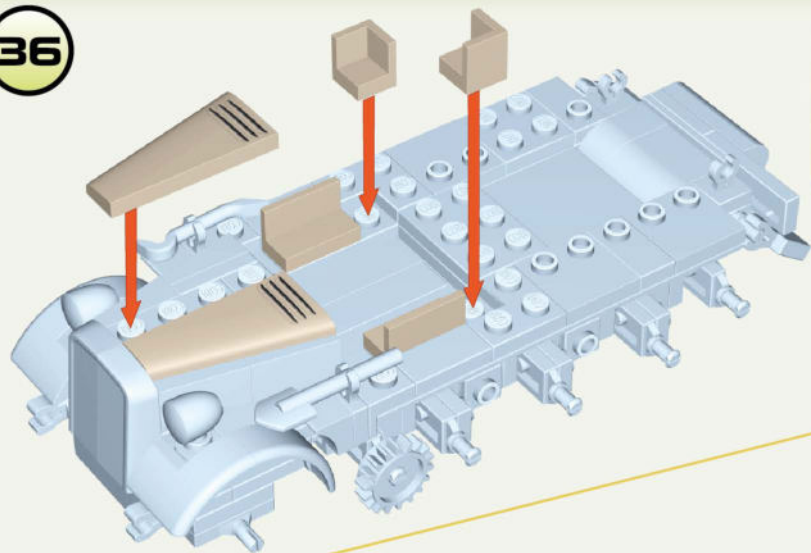
35



x2

x1 x2 x2

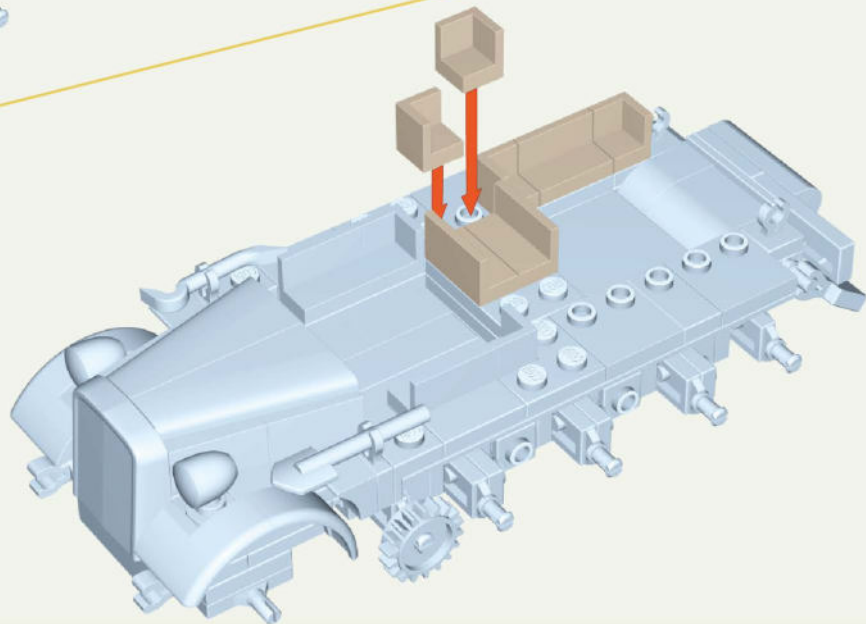
36



Parts list for step 36:

- 1x4 Technic Plate (x1)
- 1x2 Technic Plate (x1)
- 1x2 Technic Plate (x2)
- 1x2 Technic Plate (x2)

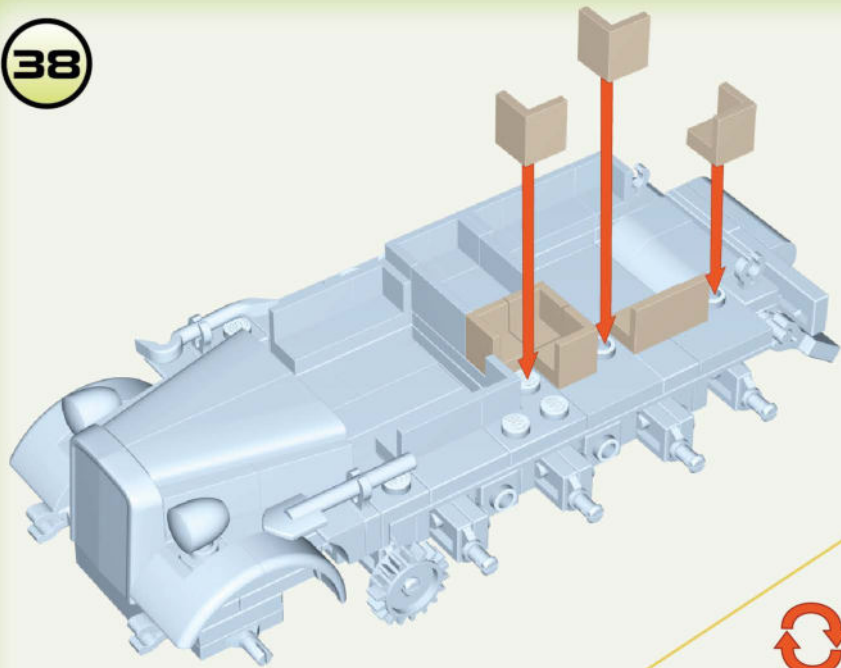
37



Parts list for step 37:

- 1x2 Technic Plate (x3)
- 1x2 Technic Plate (x4)

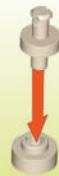
38



x1



x6



x4

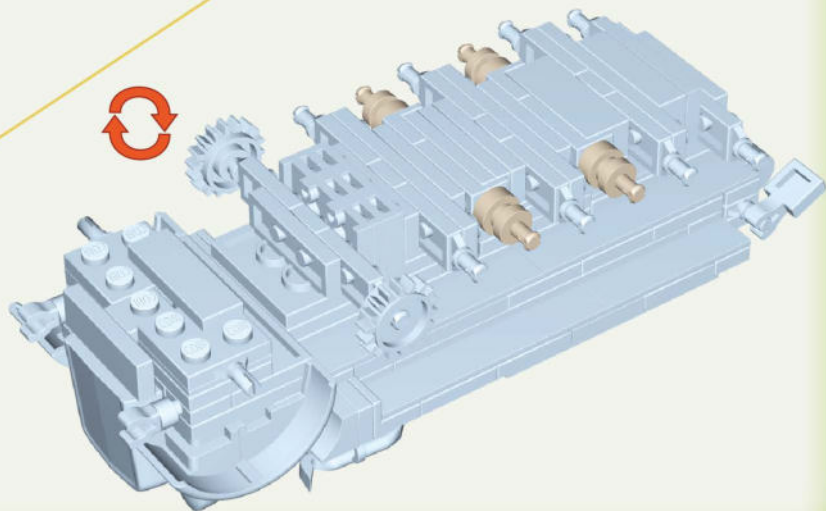
39



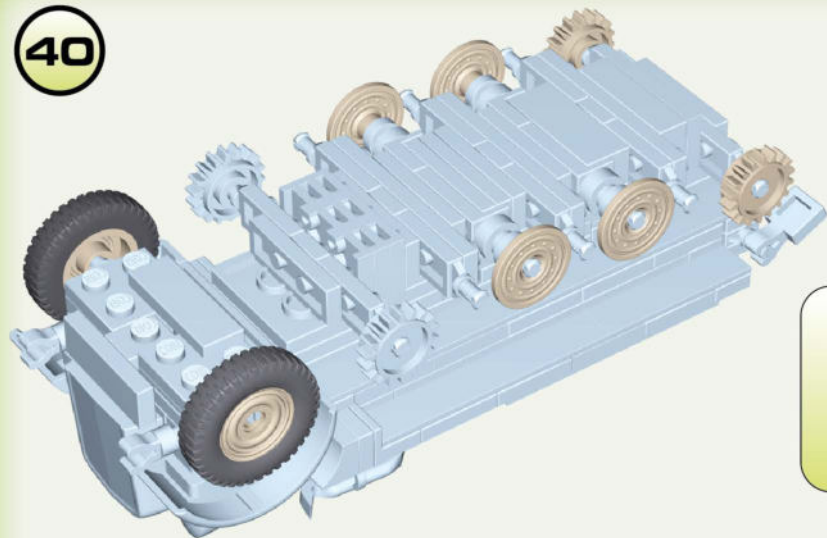
x4



x4



40



x2



x2



x2



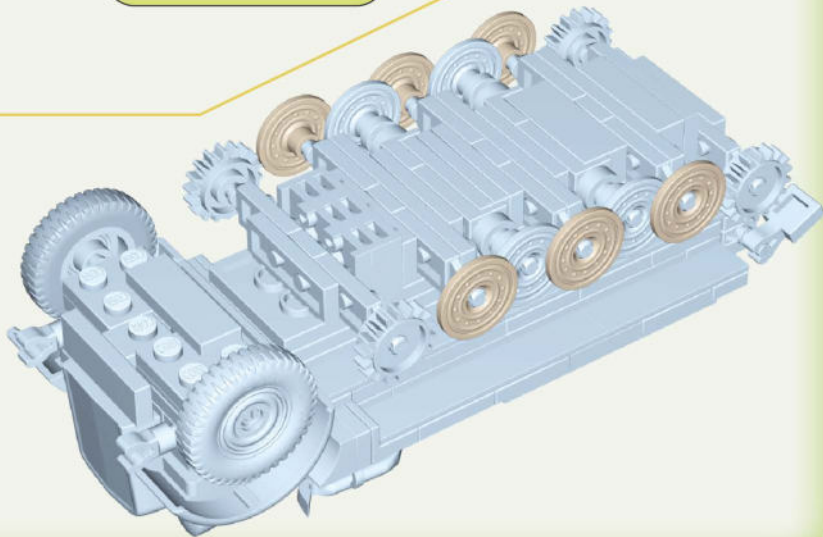
x4



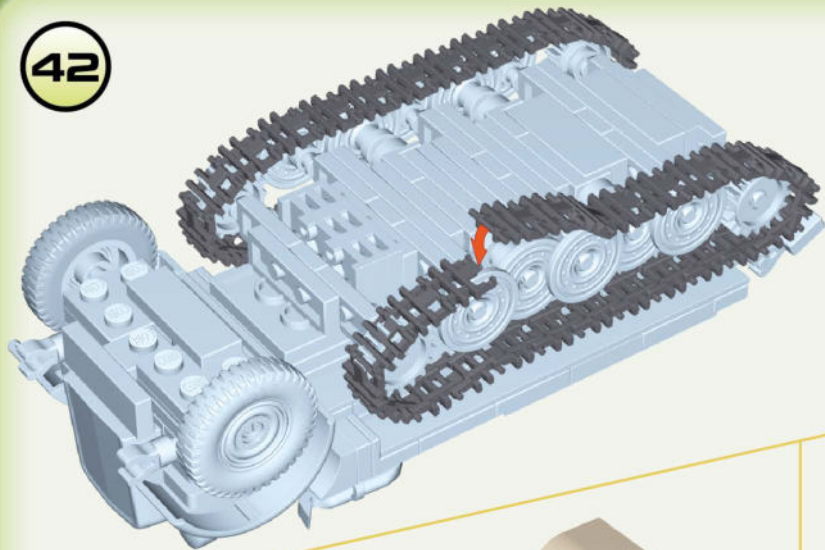
41



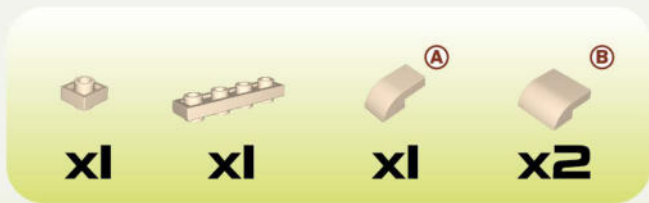
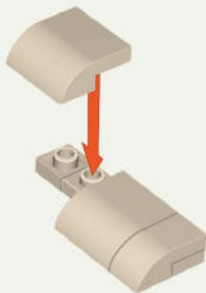
x6



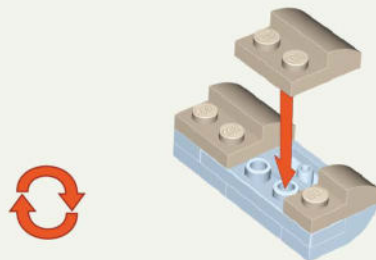
42



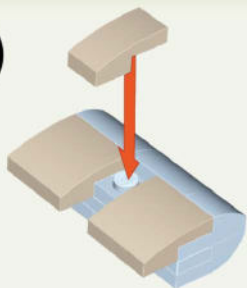
43



44



45

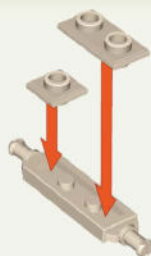


x2



x1

46



x1

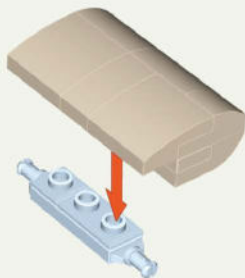


x1



x1

47



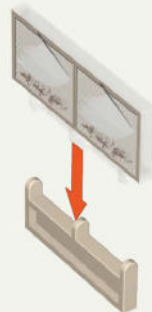
48



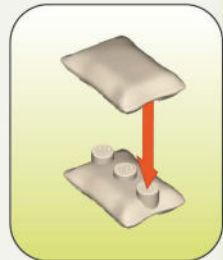
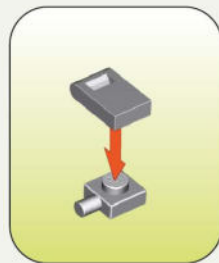
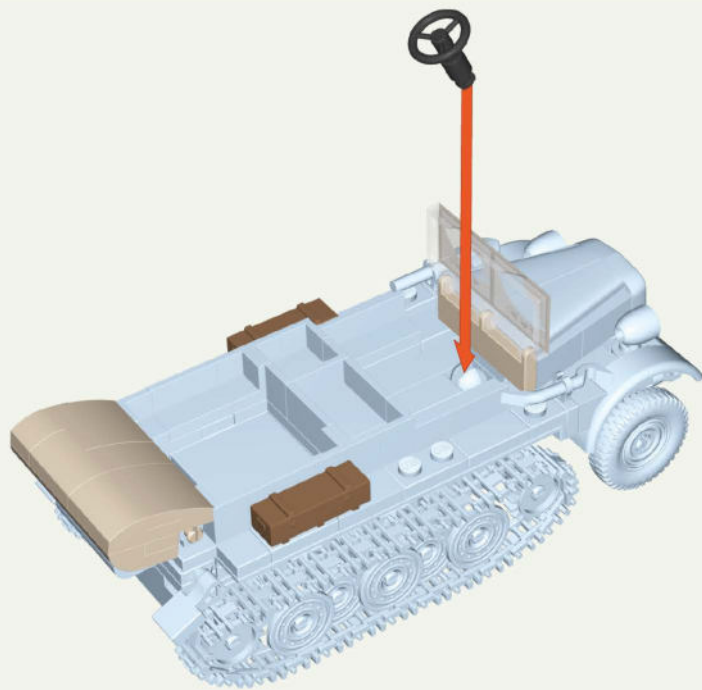
x1



x1



49



x1



x1



x2



x1



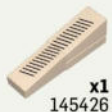
x1



x1



x1







MARK V (Male)
🇬🇧 2984



HISTORICAL COLLECTION



SOLDIERS OF THE GREAT WAR
🇬🇧 🇫🇷 🇩🇪 2051



FOKKER DR.1 "RED BARON"
🇩🇪 2986



SOPWITH CAMEL F.1
🇬🇧 2987





HISTORICAL COLLECTION



USS-TANG (SS-306)



4831



BATTLESHIP YAMATO



4833



LIM-1 POLISH AIR FORCE 1952



5822



S-102 CZECHOSLOVAK AIR FORCE



5821



SUPERMARINE SPITFIRE MK. VB



5725



FOCKE-WULF FW 190 A5



5722

HISTORICAL COLLECTION



PzKpfw V PANTHER „PUDEL”

 2568



PzKpfw V PANTHER Ausf. G

scale 1:48

 2713





2273

HISTORICAL
COLLECTION

TABLE POINT

10 DEMAG D7



1.		29 cm	11.		0
2.		10 cm	12.		0
3.		-5 cm	13.		0
4.		-5 cm	14.		4
5.		+10 cm	15.		-
6.		-	16.		2
7.		-	17.		1
8.		-	18.		1
9.		-	19.		25
10.		0	20.	 Available 1939	



2273

SD. KFZ.
10 DENAG 7



HISTORICAL
COLLECTION



SHERMAN M4A1

scale 1:48

★ 2715



WARNING: CHOKING HAZARD-

Toy contains small parts.

Not for children under 3 years.

WWW.COBI.EU

12-02273-274

For
news and
special deals

Find us on:

