



FIAT ABARTH 595

PAD PRINTED
NO STICKERS



24524

Printed in EU



„FIAT“ is a trademark
of and licensed
by the FCA Group Companies.



MIX
Paper from
responsible sources
FSC® C111430



CONFORMS TO THE SAFETY
REQUIREMENTS OF EN 71.

70

YOUNGTIMER
collection



WARNING: CHOKING HAZARD-
Toy contains small parts.
Not for children under 3 years.

1



x1



x1



x2

2

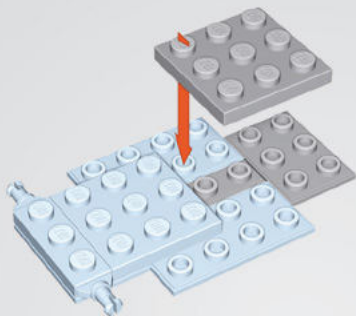


x1



x1

3



x1

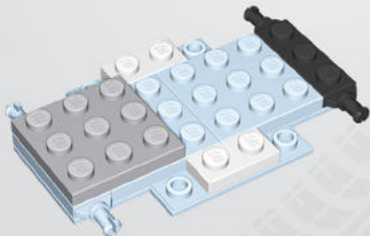


x1



x1

4



x1

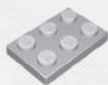
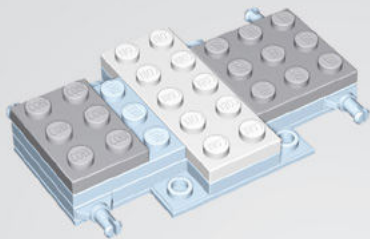


x2



x1

5



x1

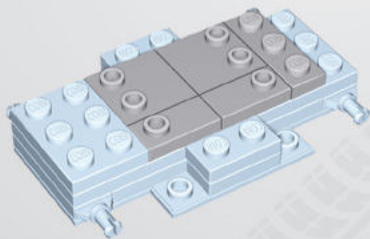


x1



x1

6



x2

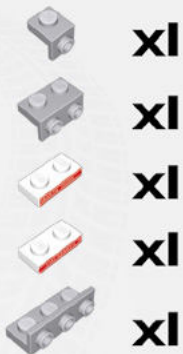
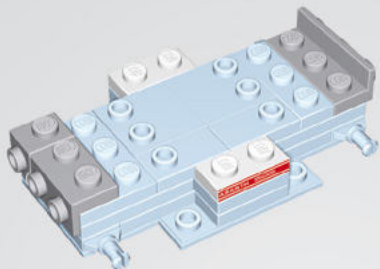


x2



x1

7



x1

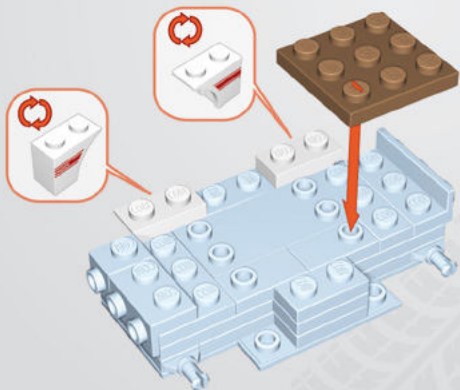
x1

x1

x1

x1

8

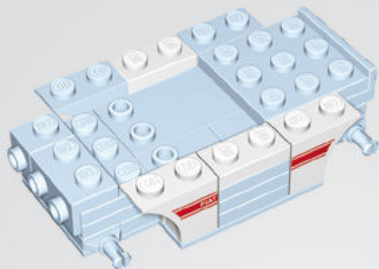


x1

x1

x1

9



x2

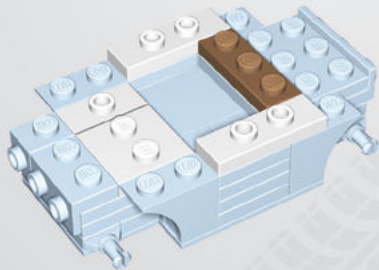


x1



x1

10



x1



x1

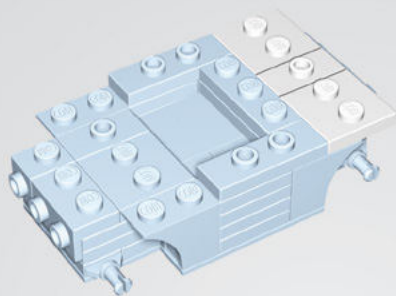


x2



x1

11



x1



x2

12

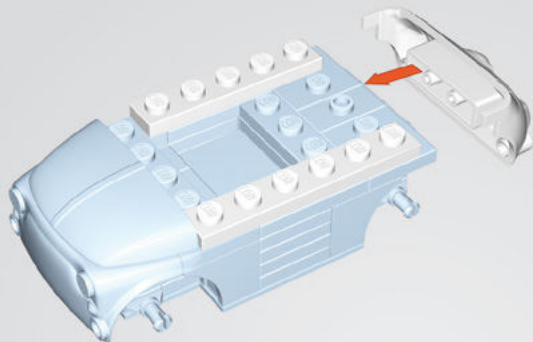


x1



x1

13



x1



x1

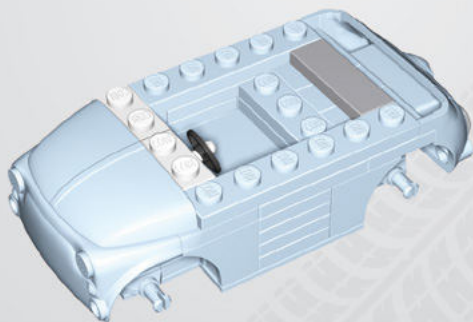


x1



x1

14



x1



x1

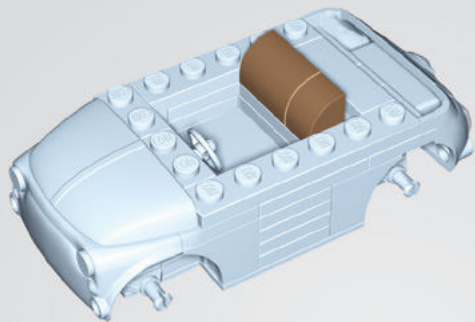


x1



x1

15

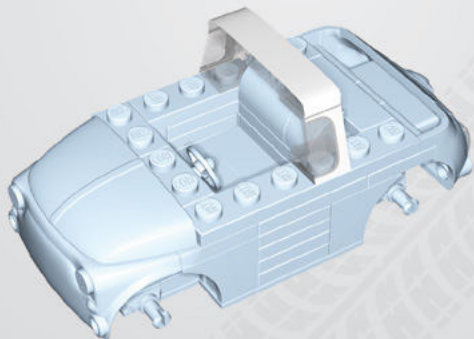


x1



x1

16



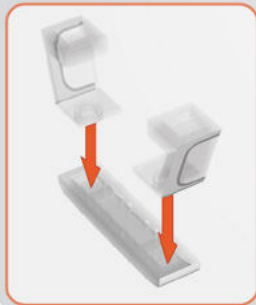
x1



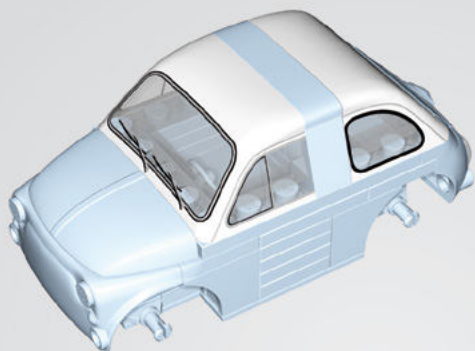
x1



x1



17

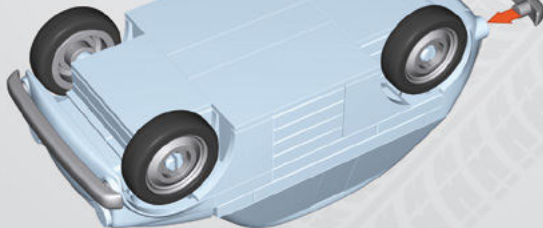


x1



x1

18



x4



x2



x4



x4



x1
107100



x1
44697



x5
42927



x1
43670



x1
114204



x2
42948



x2
105814



x1
44290



x2
108368



x1
42955



x1
43674



x1
107314



x1
93456



x2
117282



x2
102440



x1
128571



x1
64214



x1
43013



x3
76546



x2
124041



x1
43690



x2
117785



x2
124047



x1
128568



x1
110852



x2
103504



x1
114323



x4
110425



x4
99249



x1
128567



x1
128567



x1
128567



x1
128567



x1
128567



x1
43379



x4
103505



x1
128566



x1
128566



x1
128566



x1
128566



x1
128566



x1
128566



x1
128569



x1
128570

Customer Service
Kundenservice
Obsługa Klienta

www.cobi.eu/service



BARKAS B1000
Pritschenwagen
24593



BARKAS B1000
Polizei
24596



LADA
2103
24527



LADA
2101
24526


YOUNGTIMER
collection

For
news and
special deals

WWW.COBI.EU

10-24524-69

Find us on:

