

**ARMED
FORCES**

**DASSAULT
AVIATION**



MIRAGE III C (DASSAULT LICENSE)

IN THE FRENCH SERVICE - 1961-1988
PLACE OF ORIGIN - FRANCE (BUILT IN 95 COPIES)
ROLE - INTERCEPTOR FIGHTER
WINGSPAN - 8,22M (27')
LENGTH - 14,8M (48'5")
HEIGHT - 4,5M (14'9")
WEIGHT - 11,8T (26015LB)
ENGINE - 1x TURBOJET SNECMA ATAR 9B-3 (59KN)
MAXIMUM FLIGHT LEVEL - 17000M (56000FT)
RATE OF CLIMB - 83M/S (16400FT/MIN)
COMBAT RANGE - 1200KM (750MI, 650NMI)
SPEED - 2350KM/H (1460MPH), MACH 2,2
ARMAMENT - 2x 30MM DEFA 552 CANNONS, 1x MATRA R530,
2x AIM-9 SIDEWINDER AIR-TO-AIR MISSILES
EQUIPMENT - RADAR CYRANO I 
CREW - 1 PILOT

5826

**PAD PRINTED
NO STICKERS**

Printed in EU



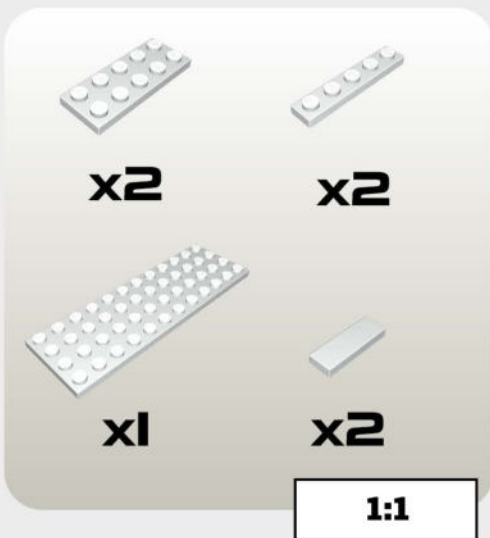
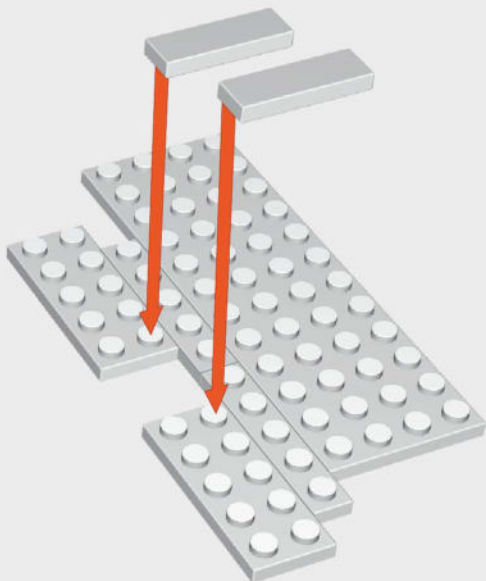
WARNING: CHOKING HAZARD-
Toy contains small parts.
Not for children under 3 years.

436 

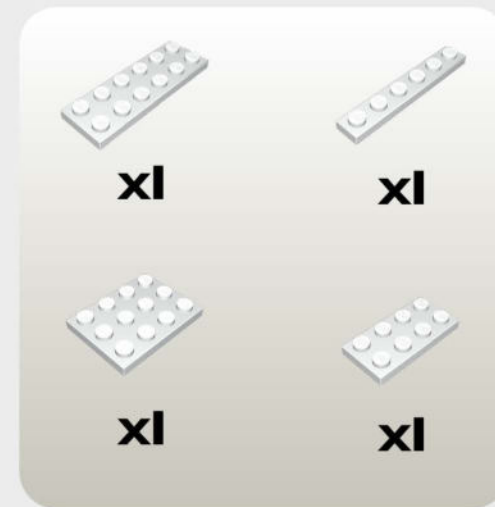
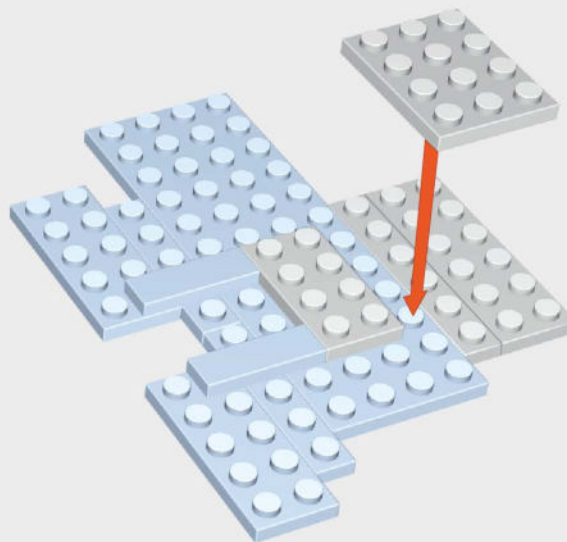
Mirage III C

SCALE 1:48

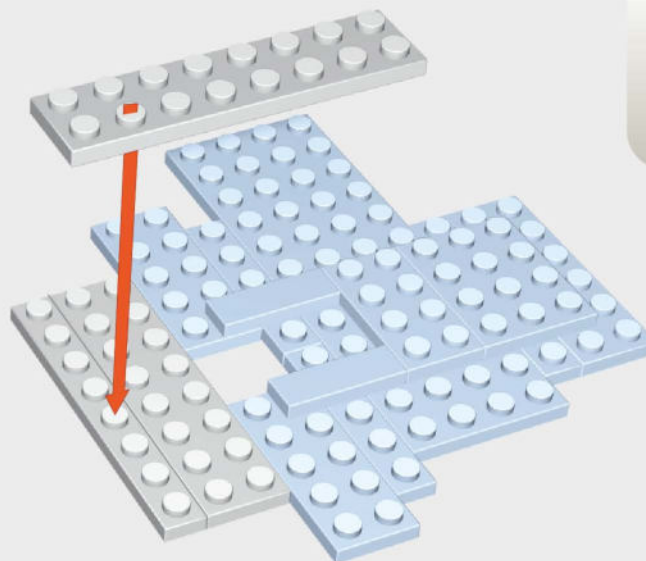
1



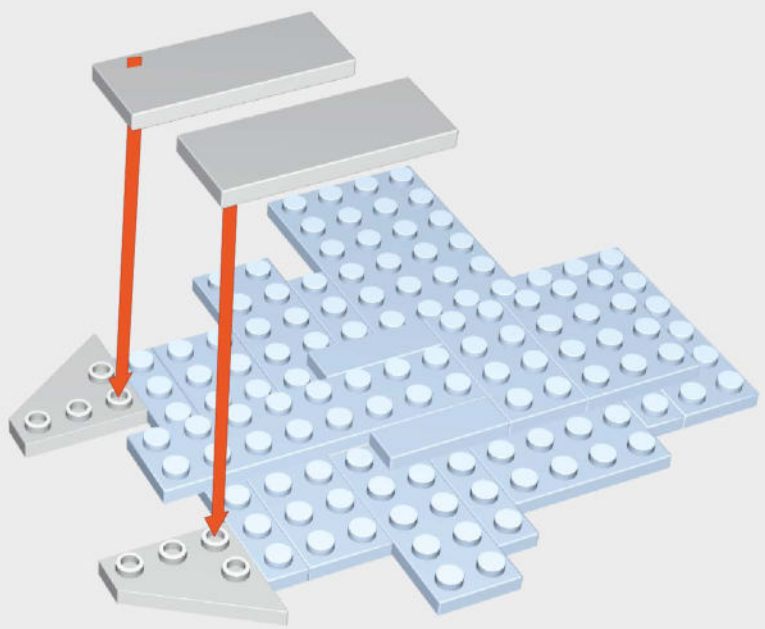
2






3





4

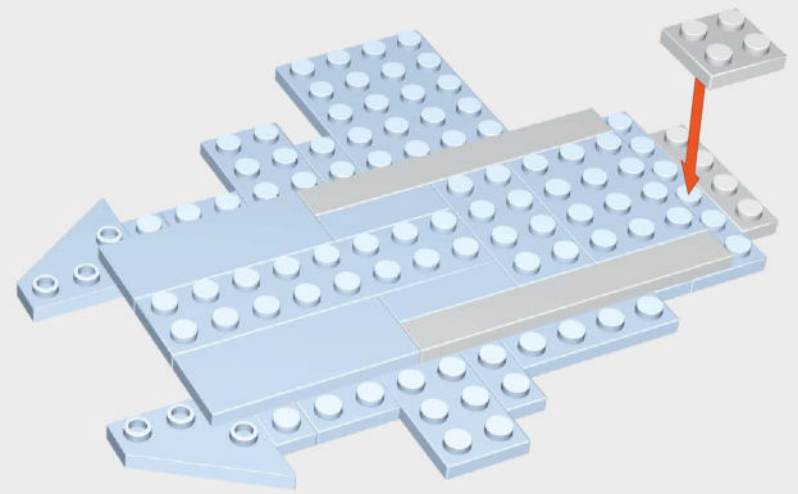


 **x1**
  **x1**
  **x2**

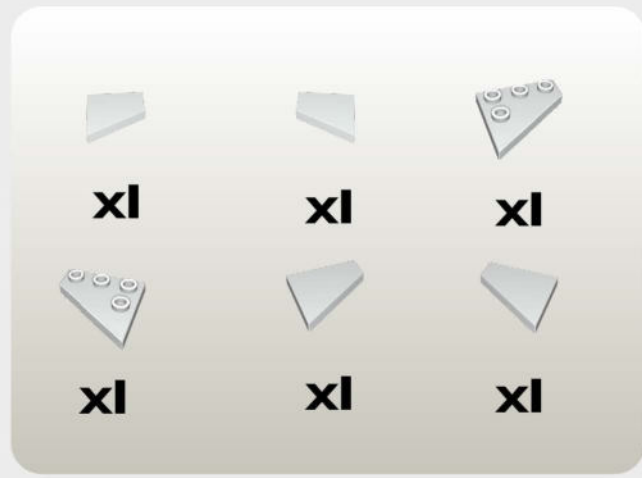
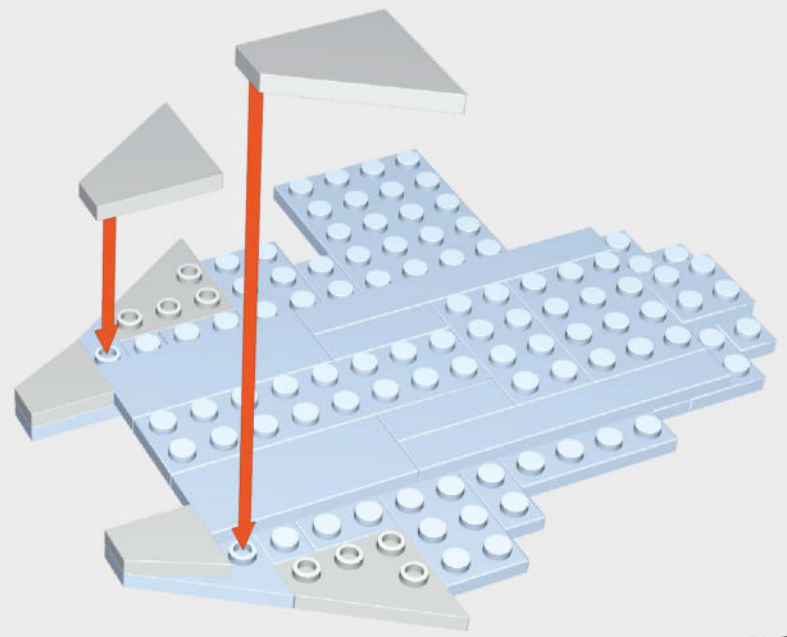
5

 **x2**
  **x1**
  **x1**

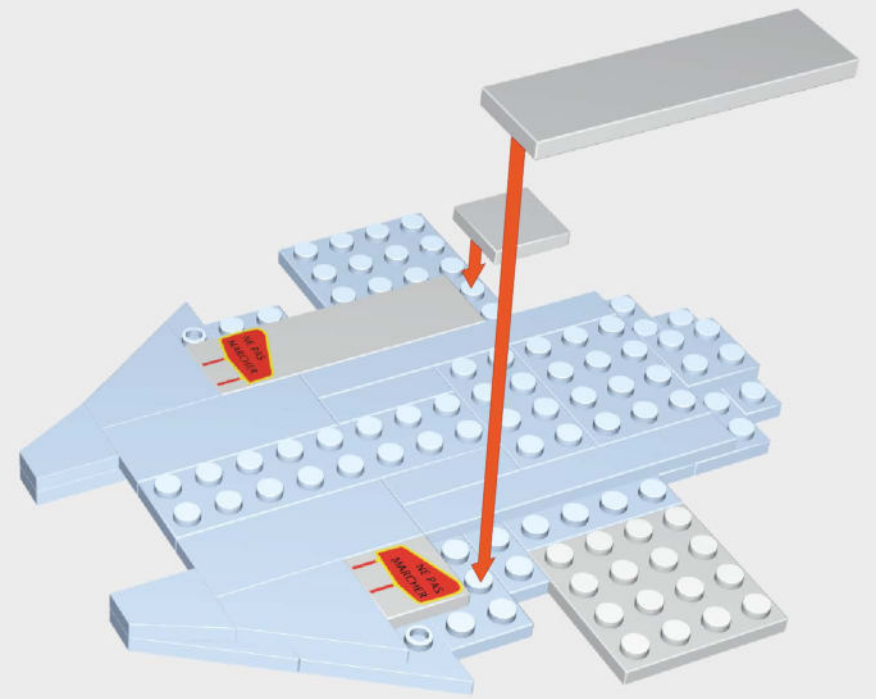
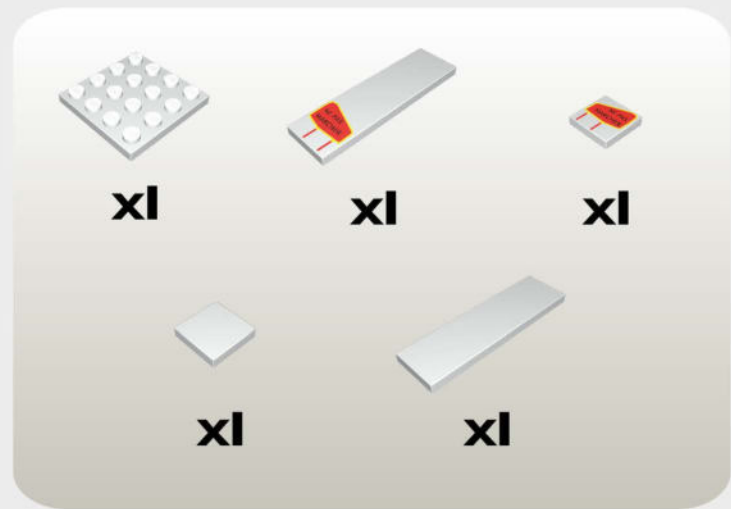
1:1



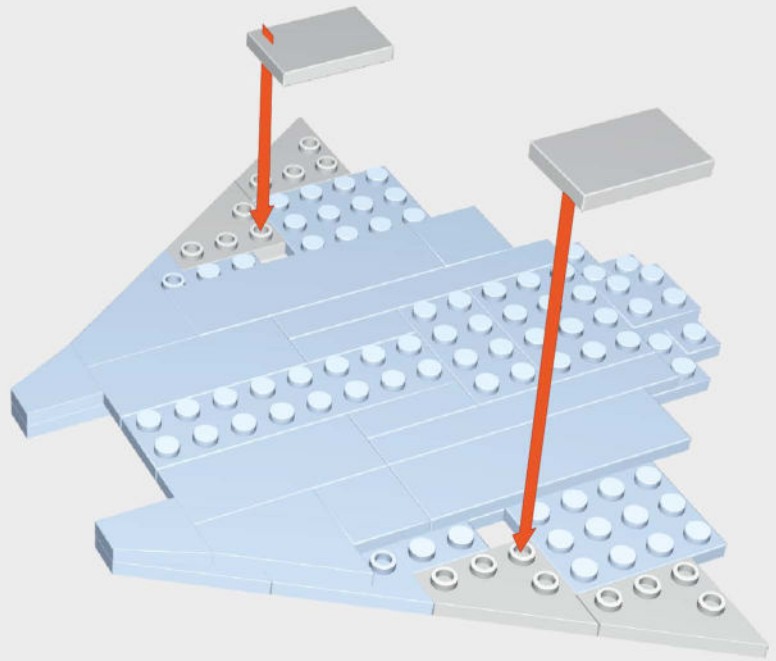
6



7



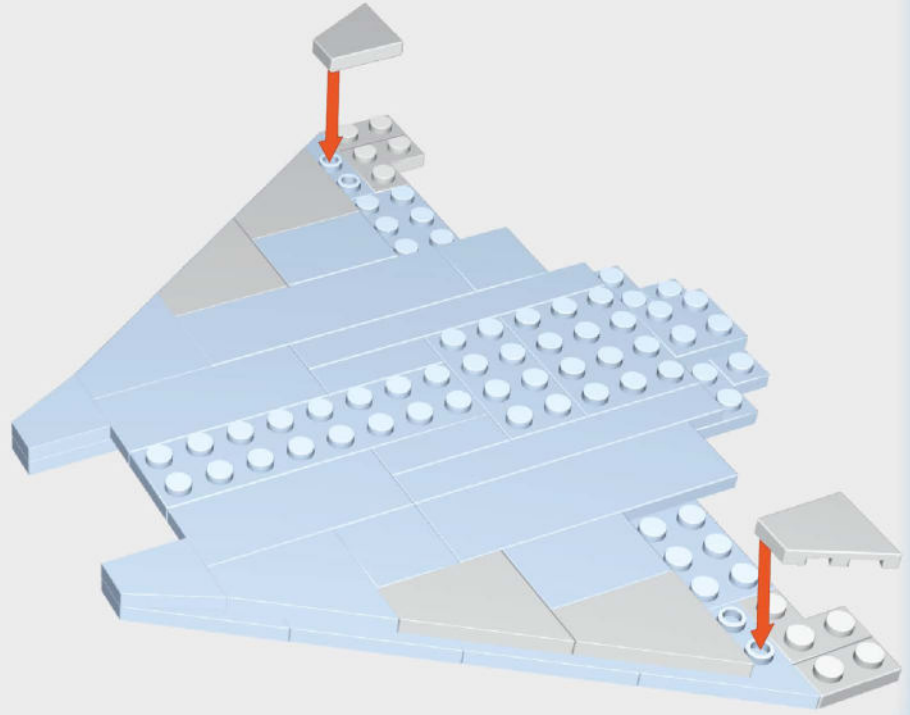
8



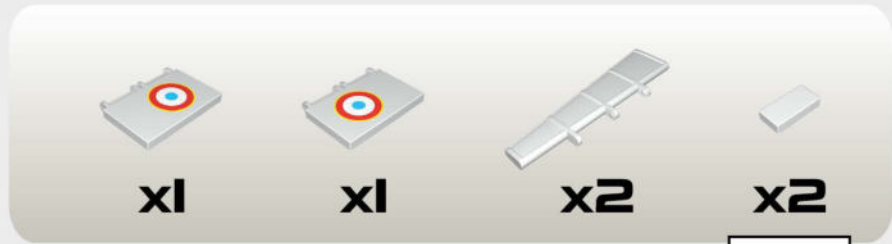
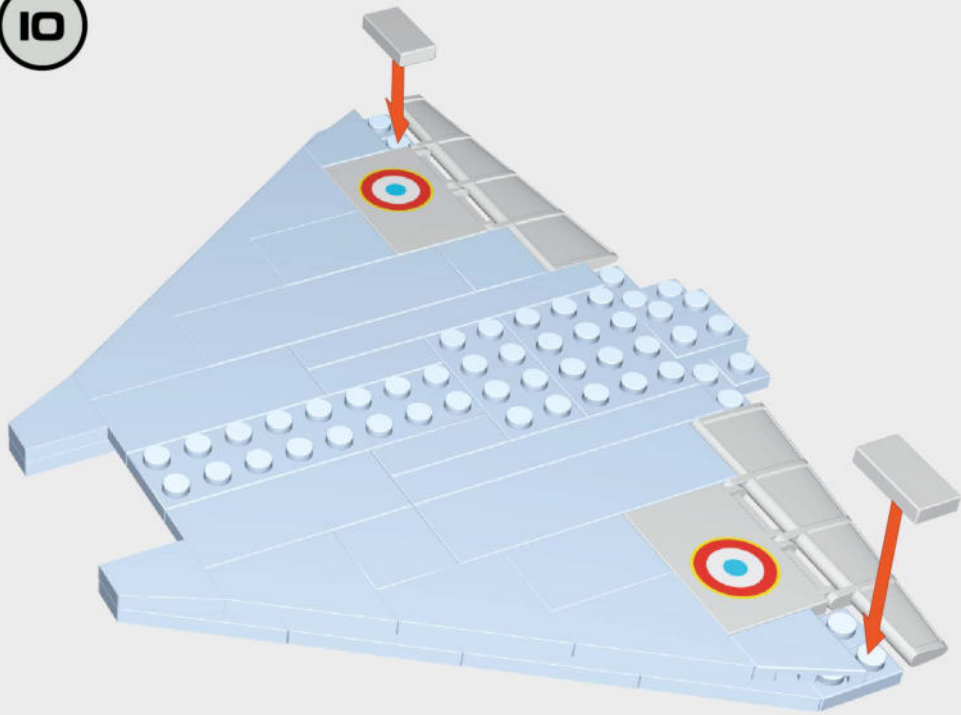
x2	x2	x2

9

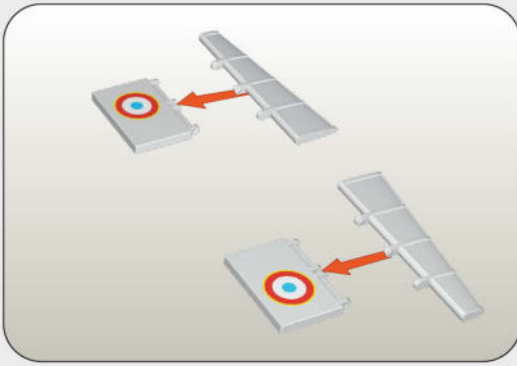
x2	x2	x2
x2	x1	x1



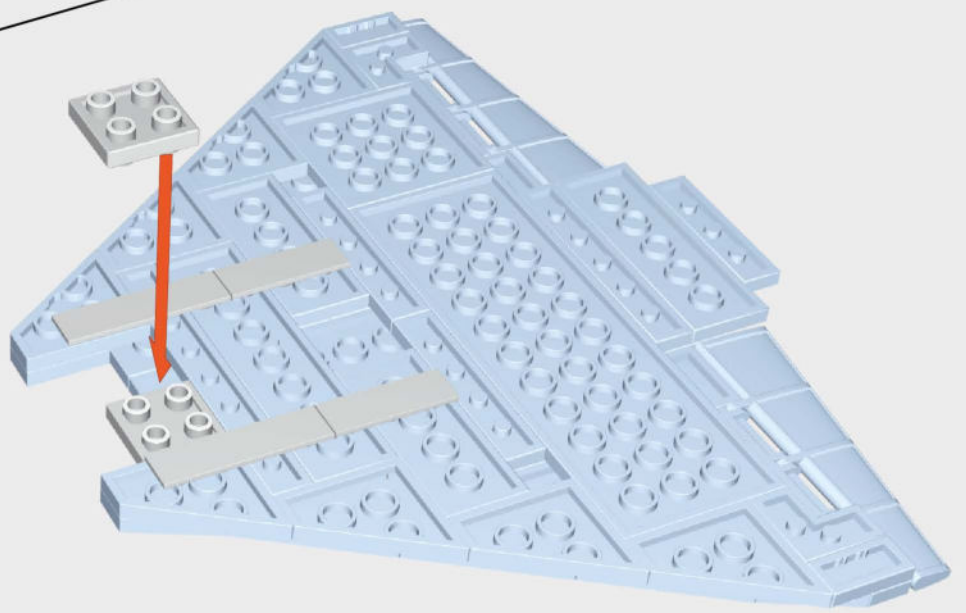
10



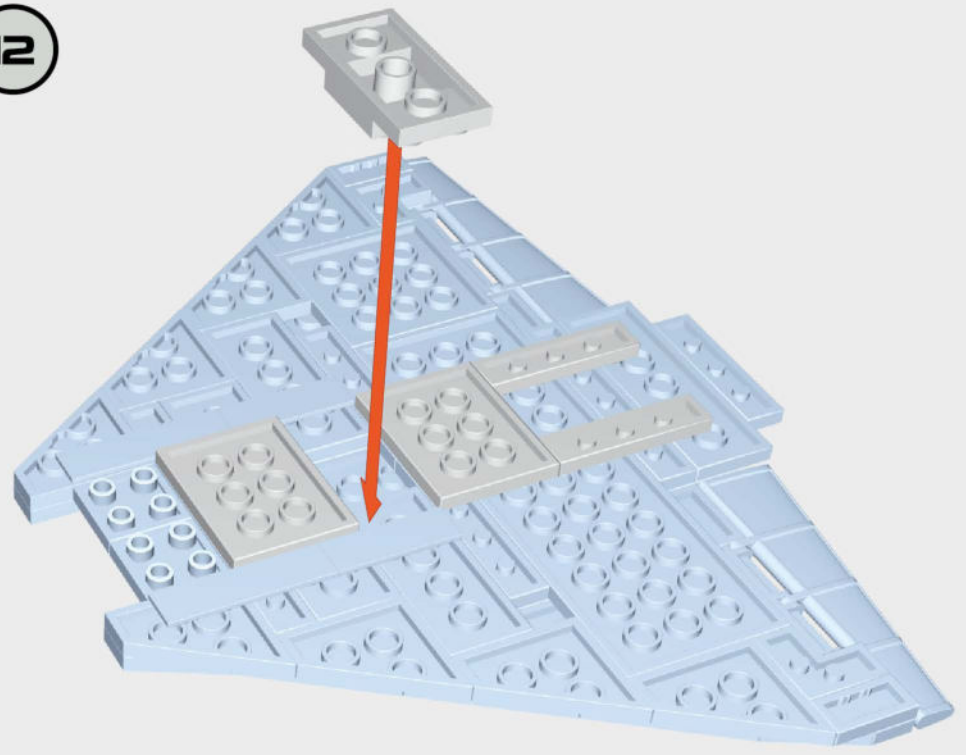
1:1



11



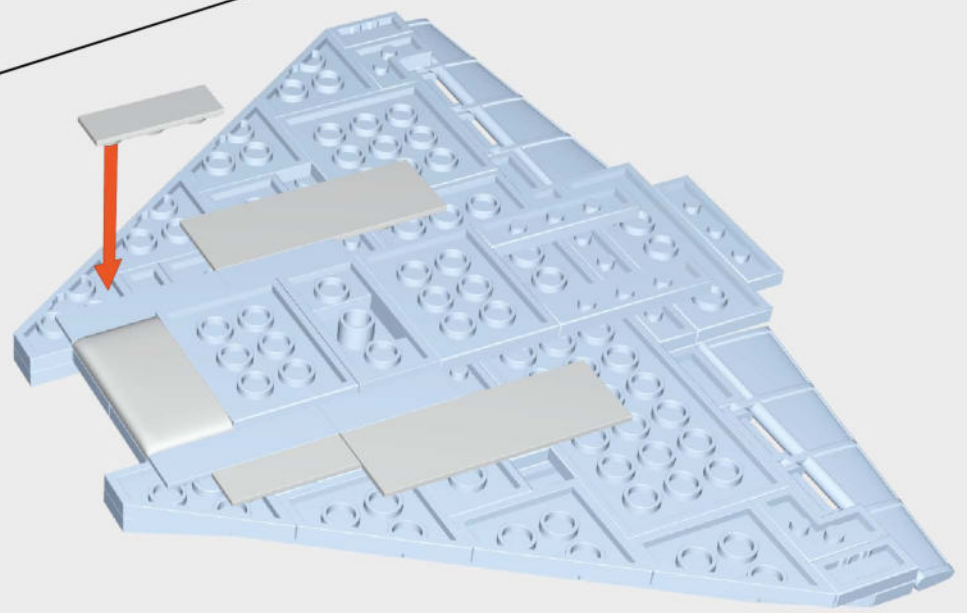
12



Parts list for step 12:

-  x2
-  x2
-  x1

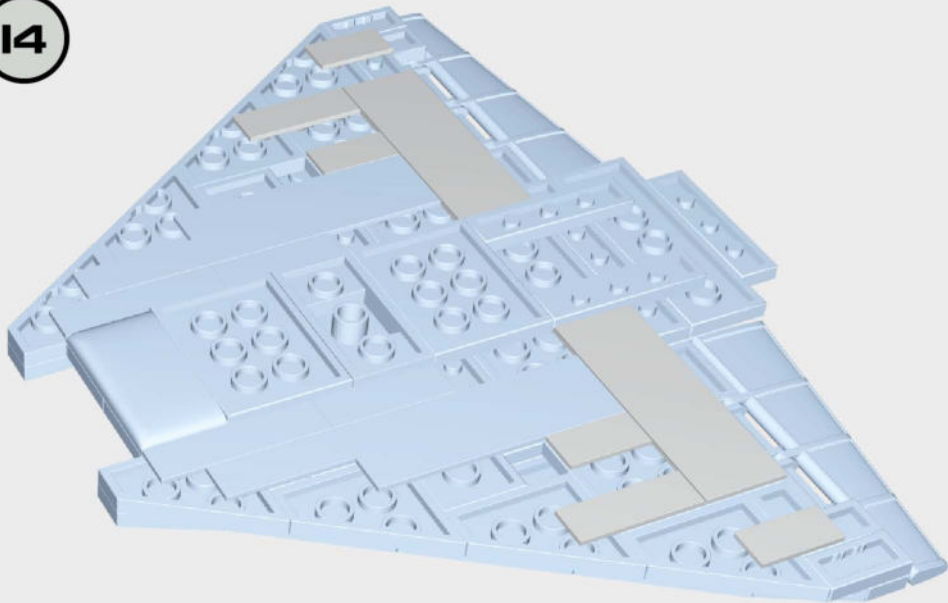
13



Parts list for step 13:

-  x1
-  x2
-  x2

14



x4

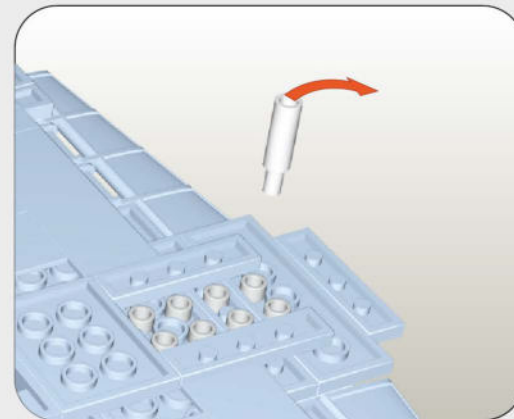
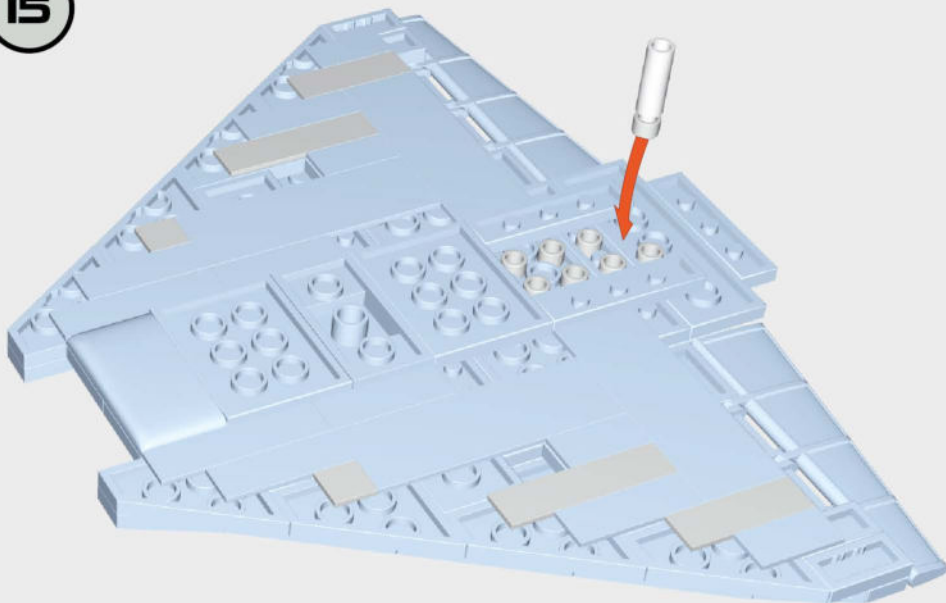


x2



x2

15



x2



x2

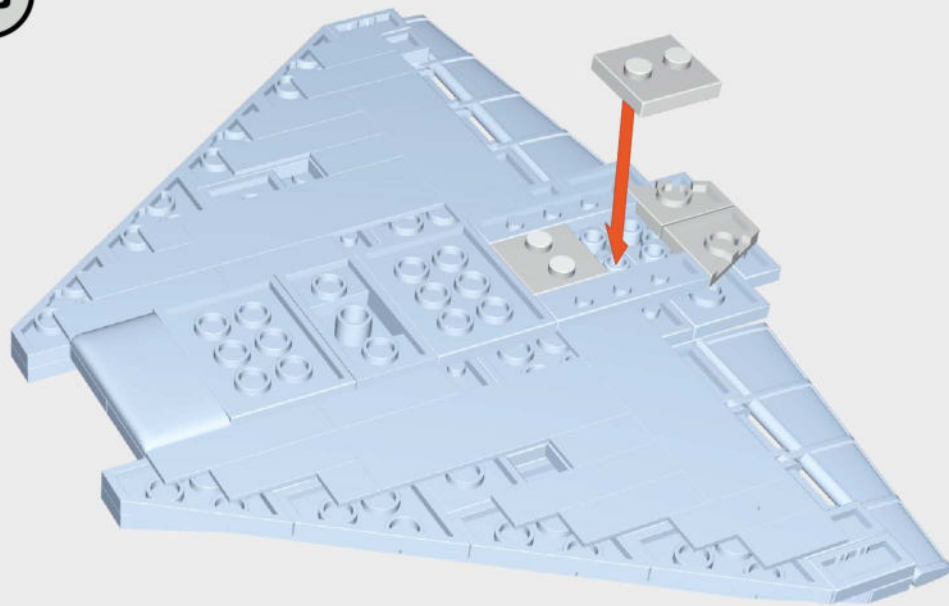


x2



x8

16



x2

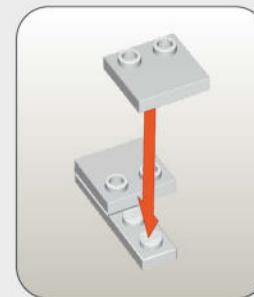
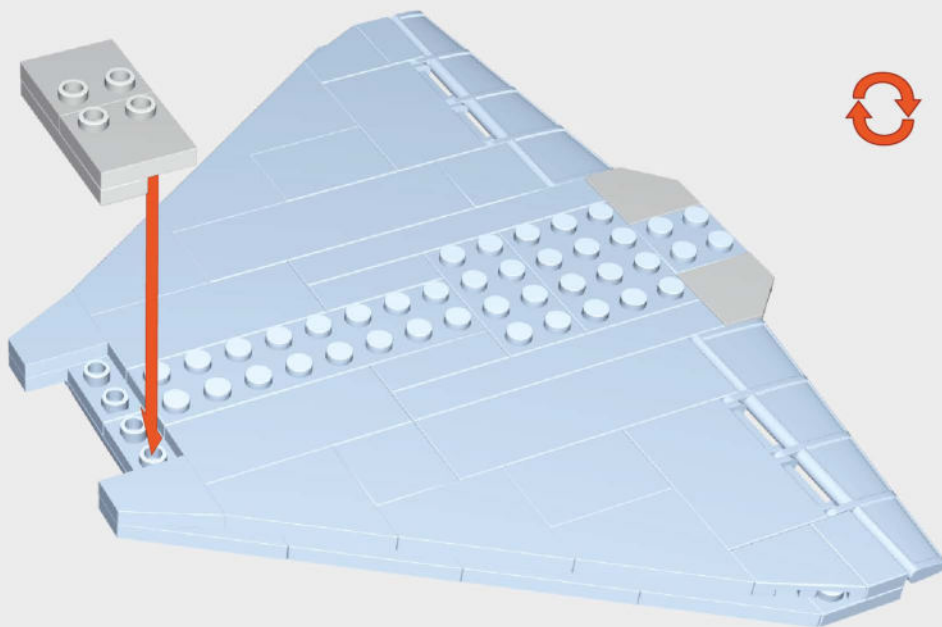


x1



x1

17



x1

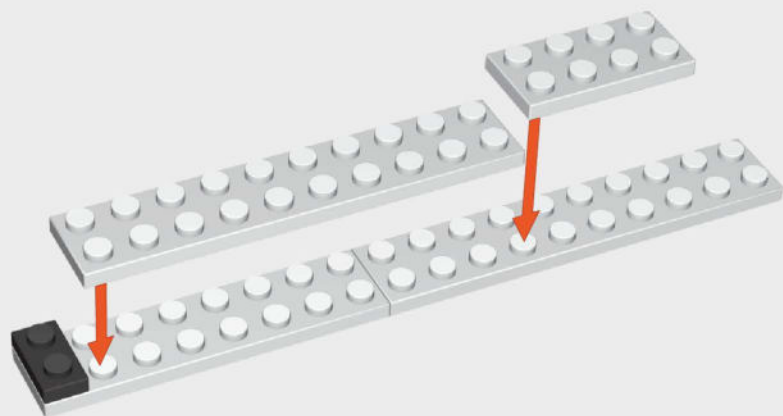


x2



x2

18



x1



x1

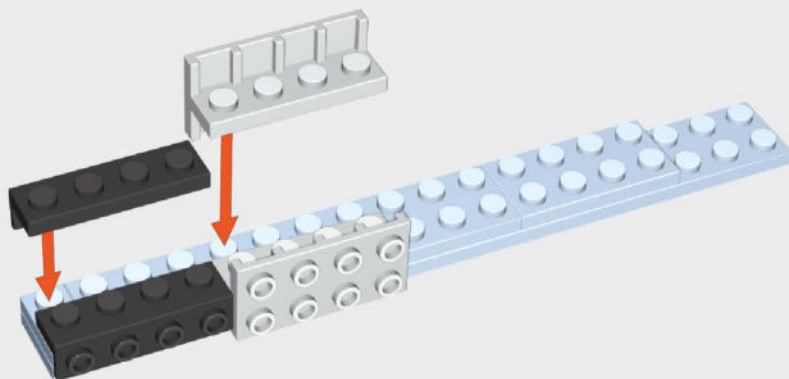


x1



x2

19

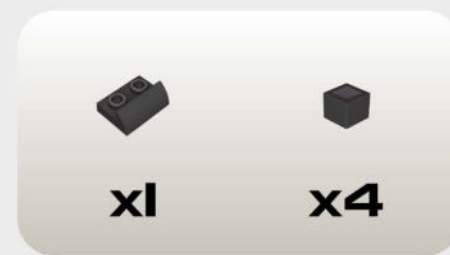


x2

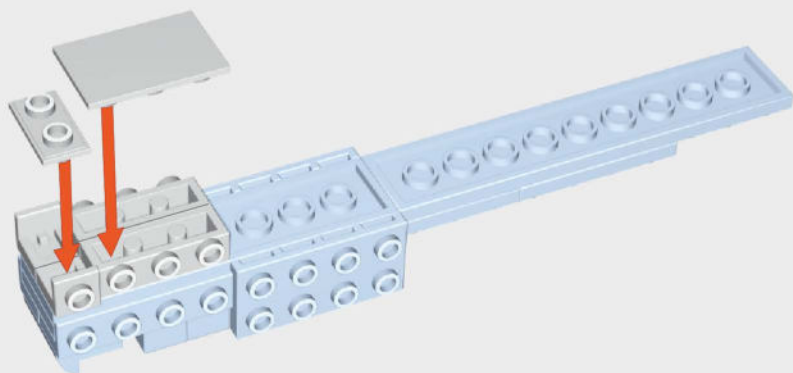


x2

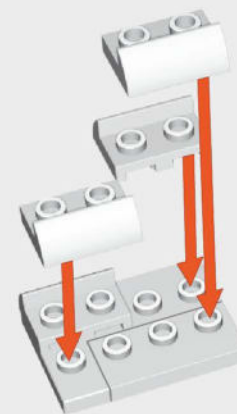
20



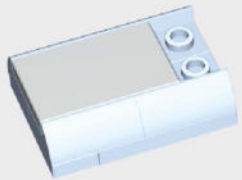
21



22

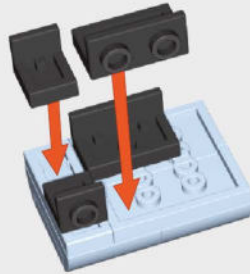


23



x1

24

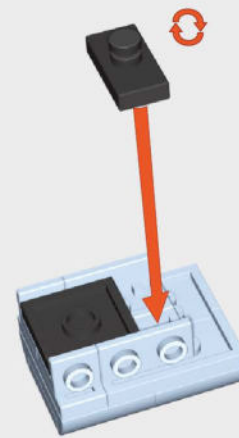


x2



x2

25



x2



x1

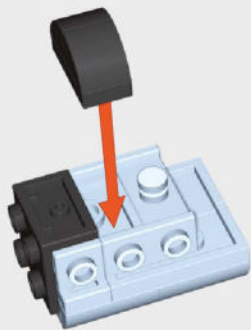


x1



x1

26

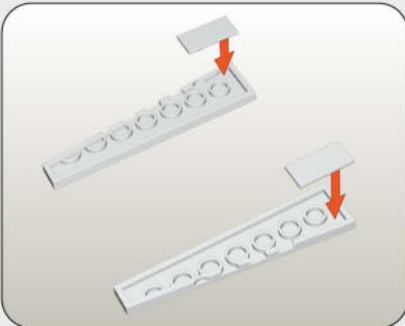
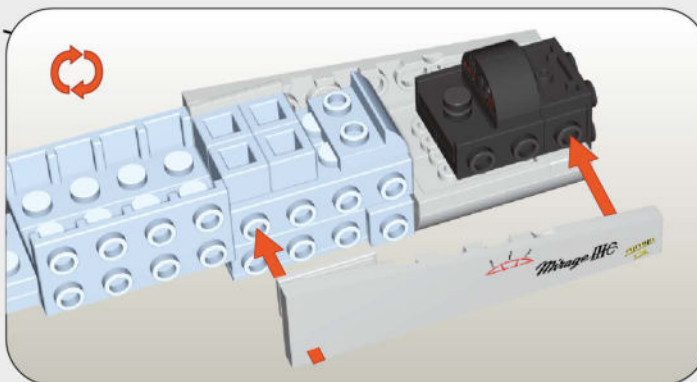
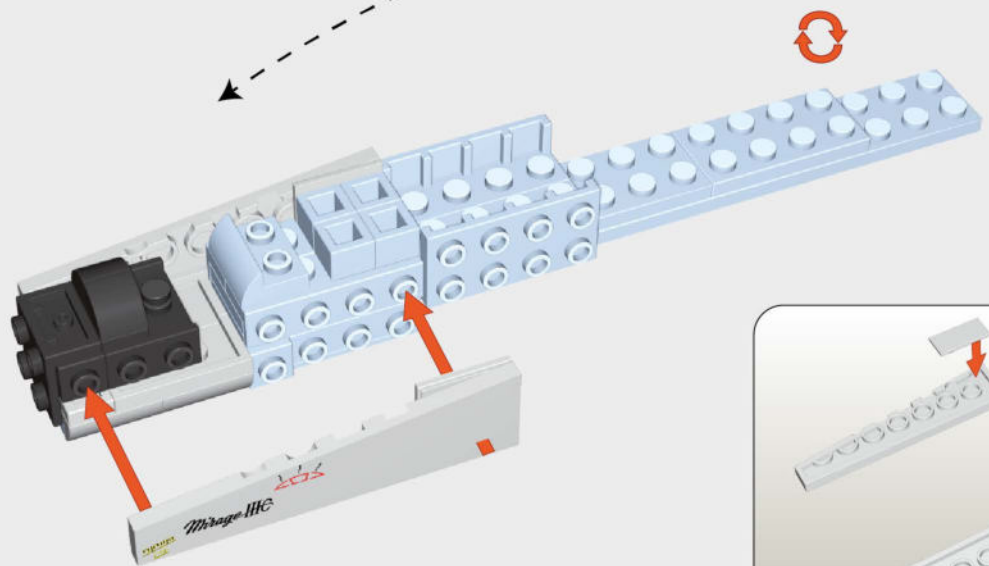


x1

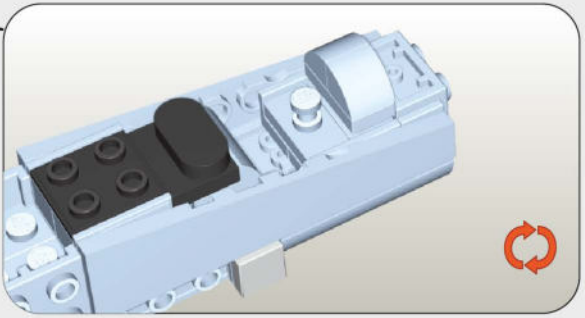
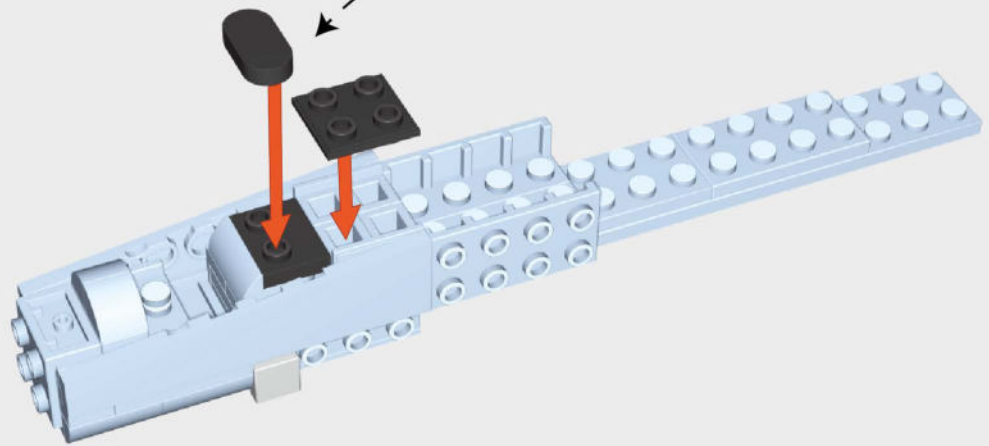


x1

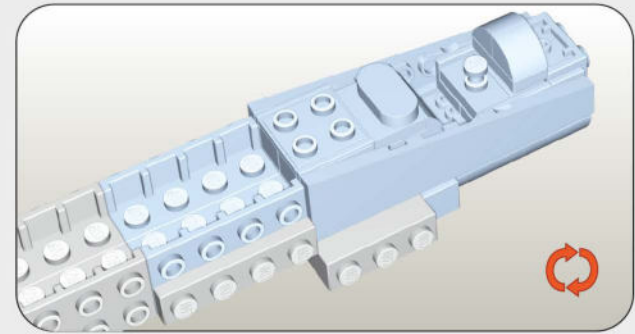
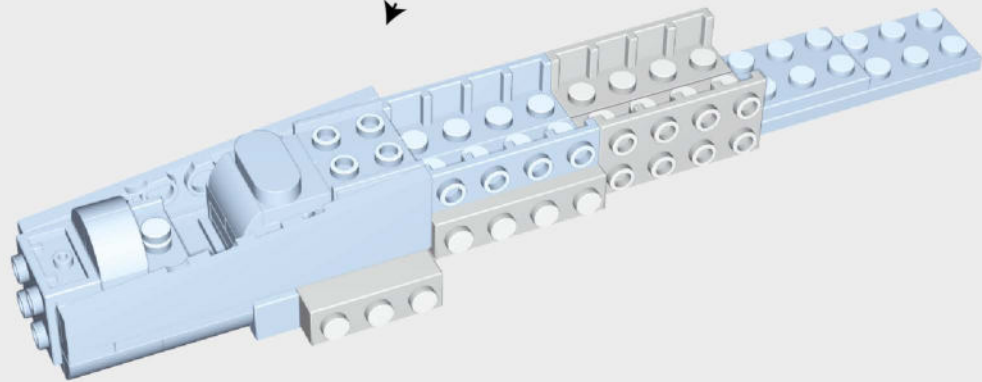
27



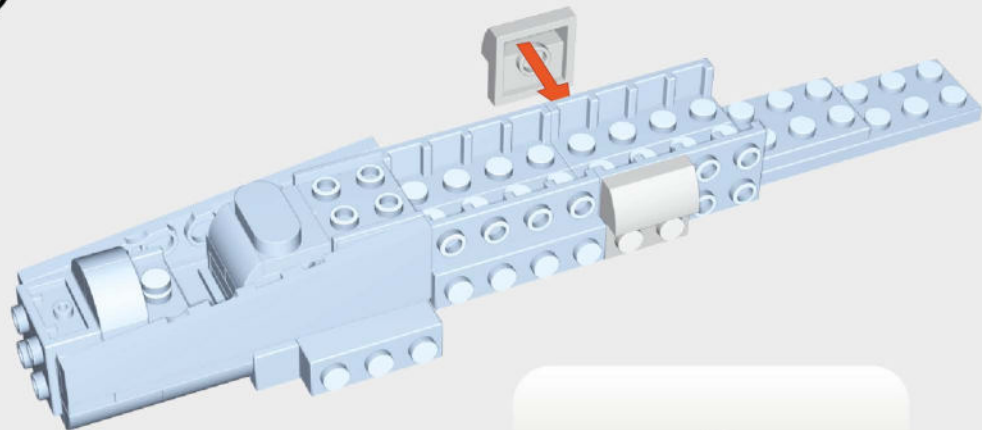
28



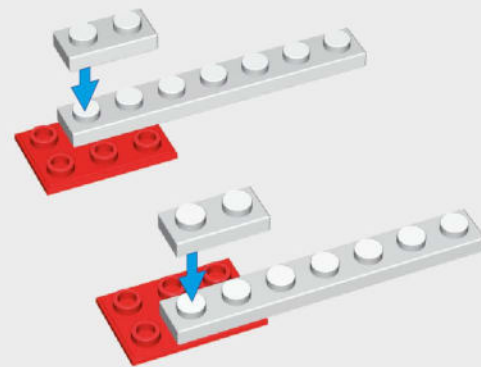
29



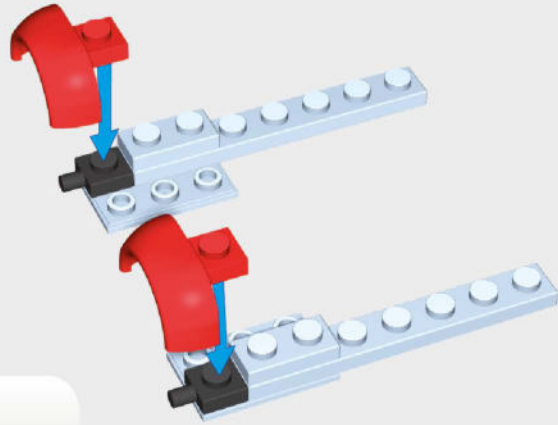
30



31



32

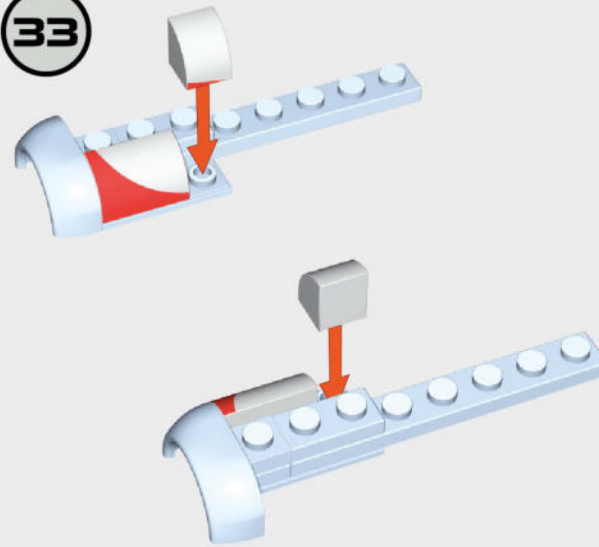


x2



x2

33



x1



x1

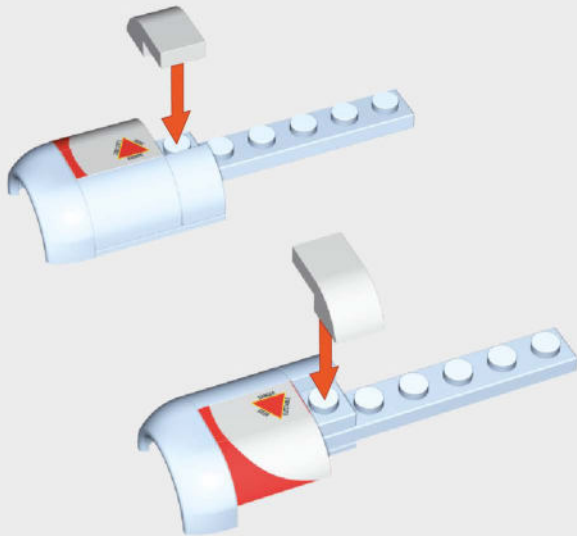


x1



x1

34



x1

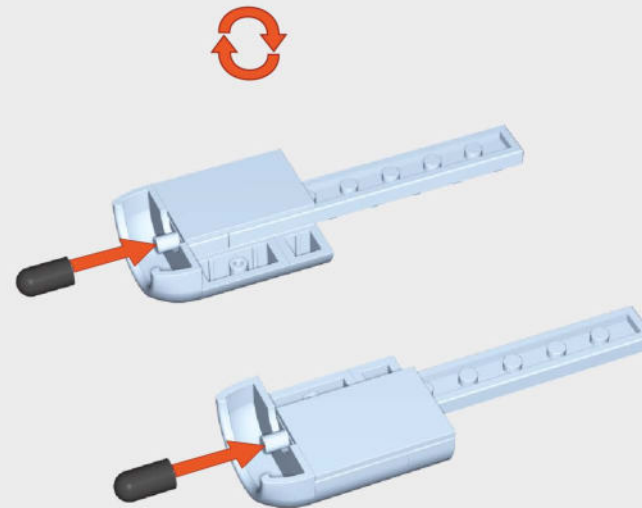


x1



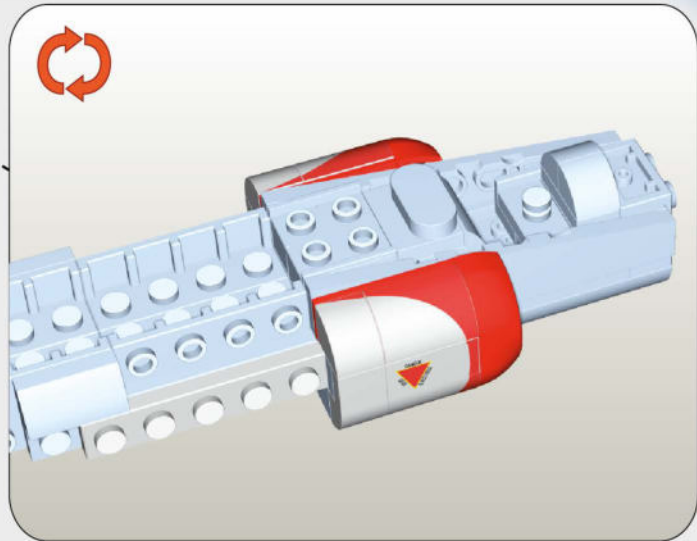
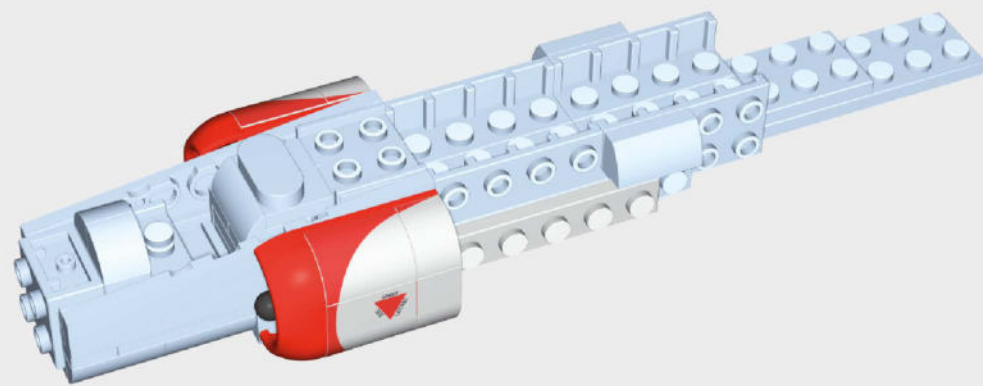
x2

35

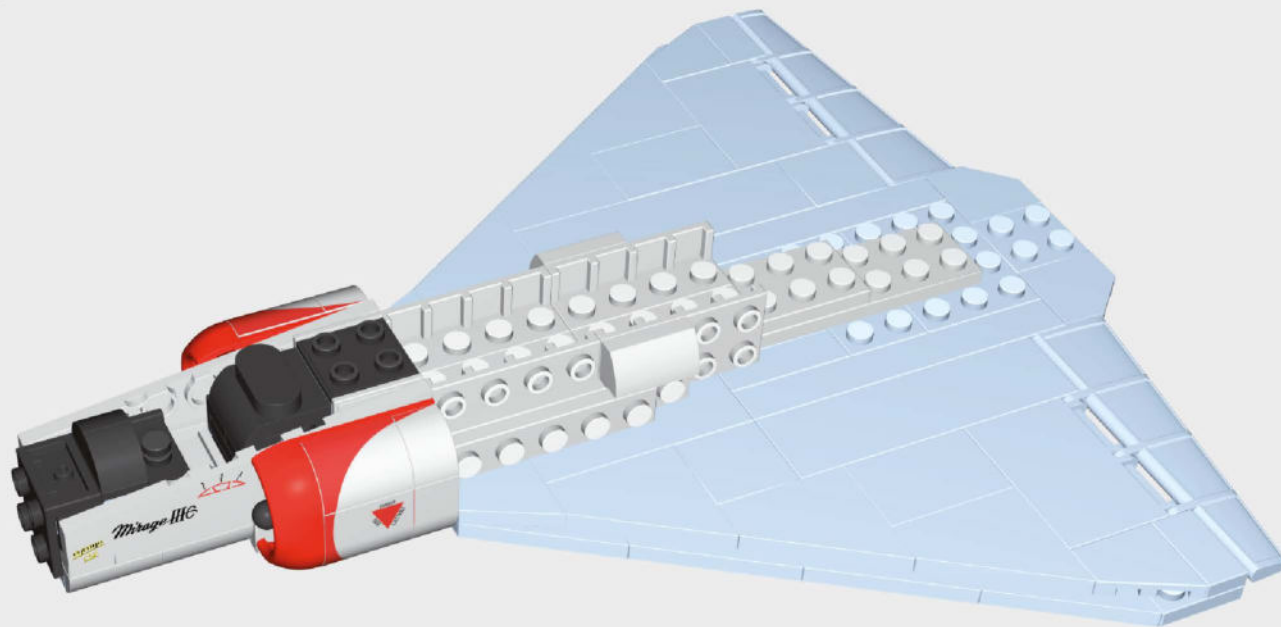


x2

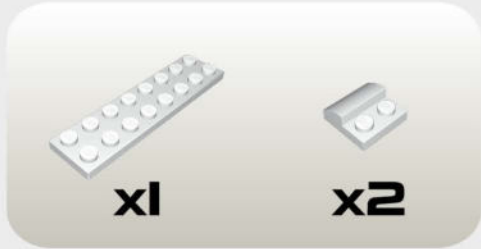
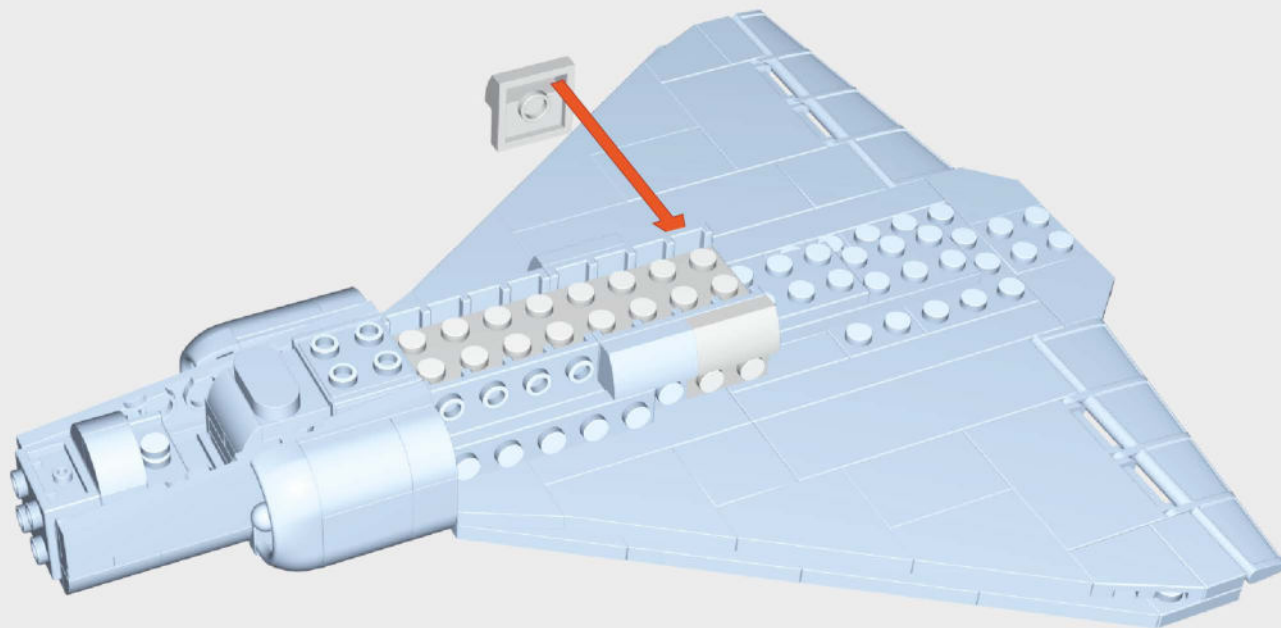
36



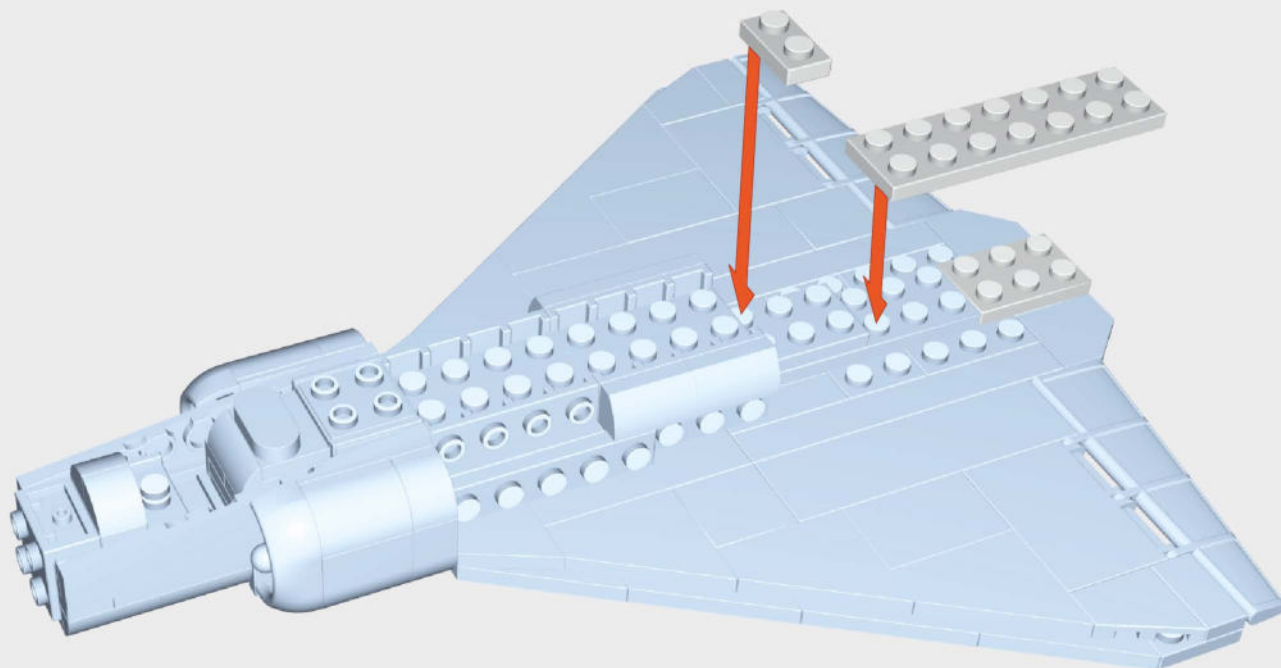
37



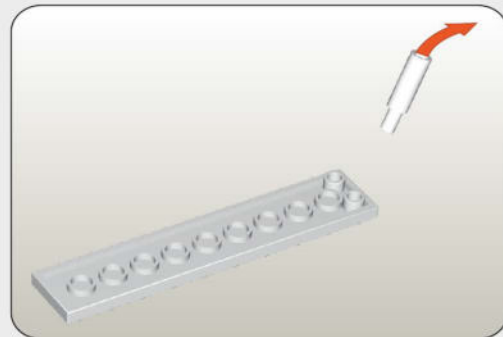
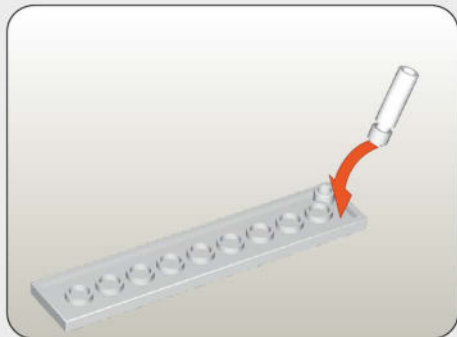
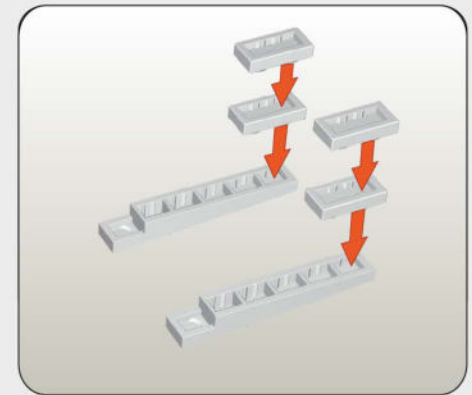
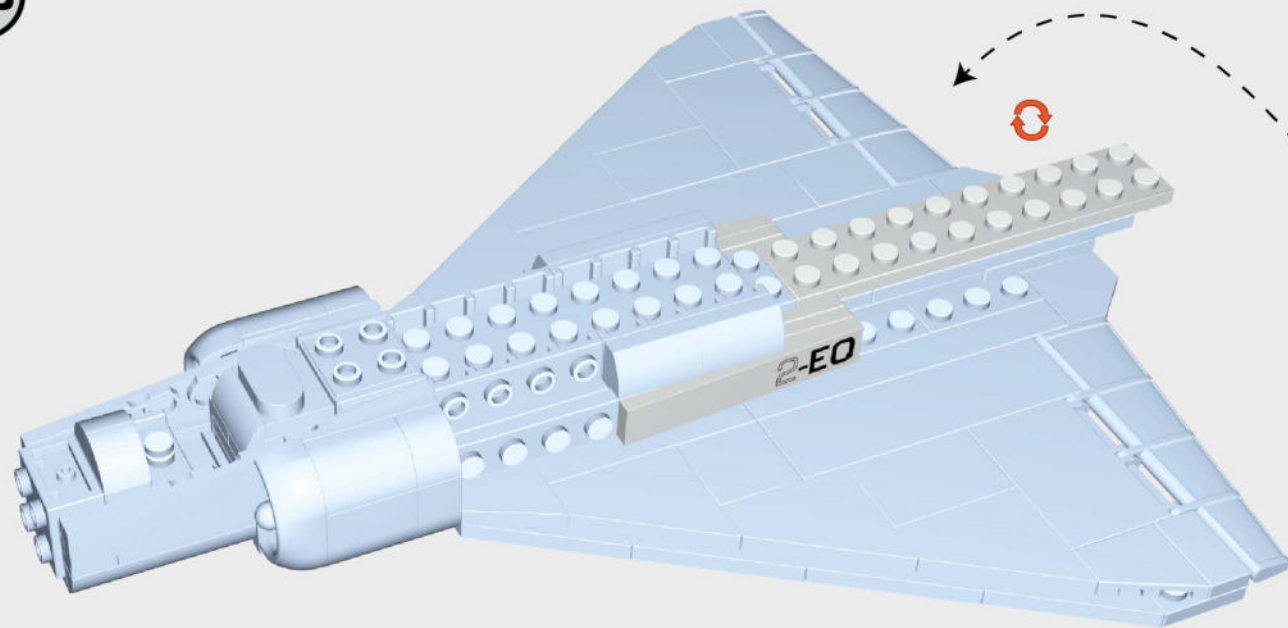
38



39

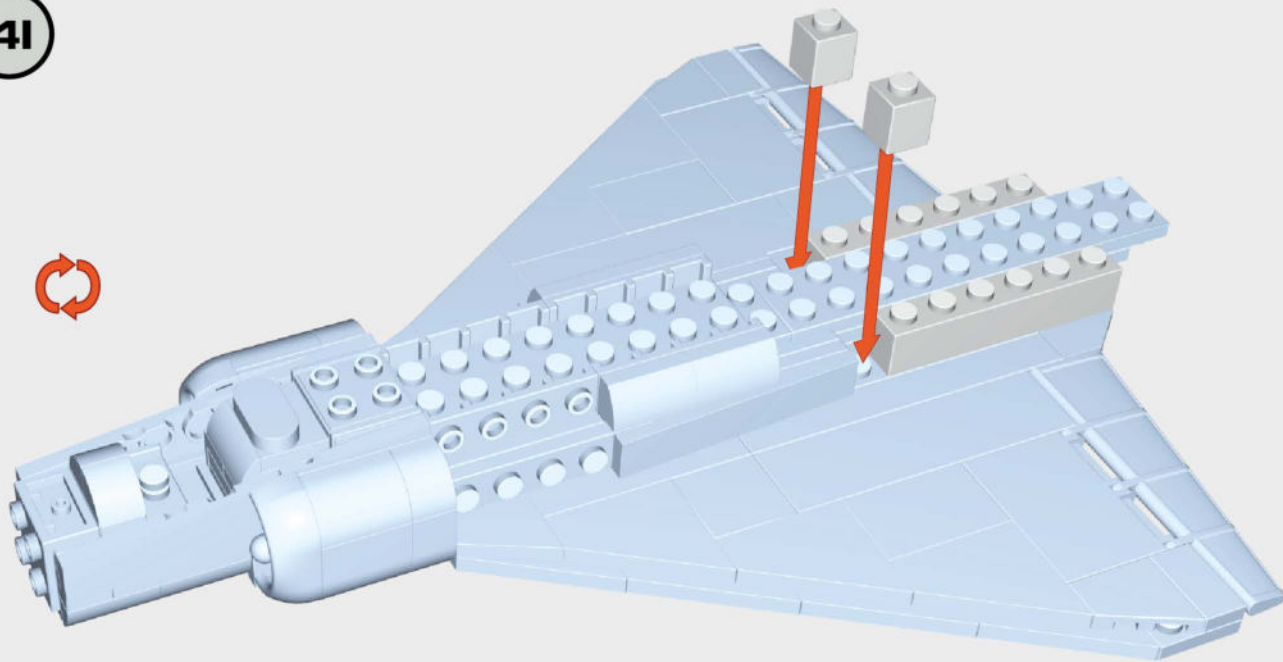


40



-  x2
-  x1
-  x4
-  x1
-  x1

41

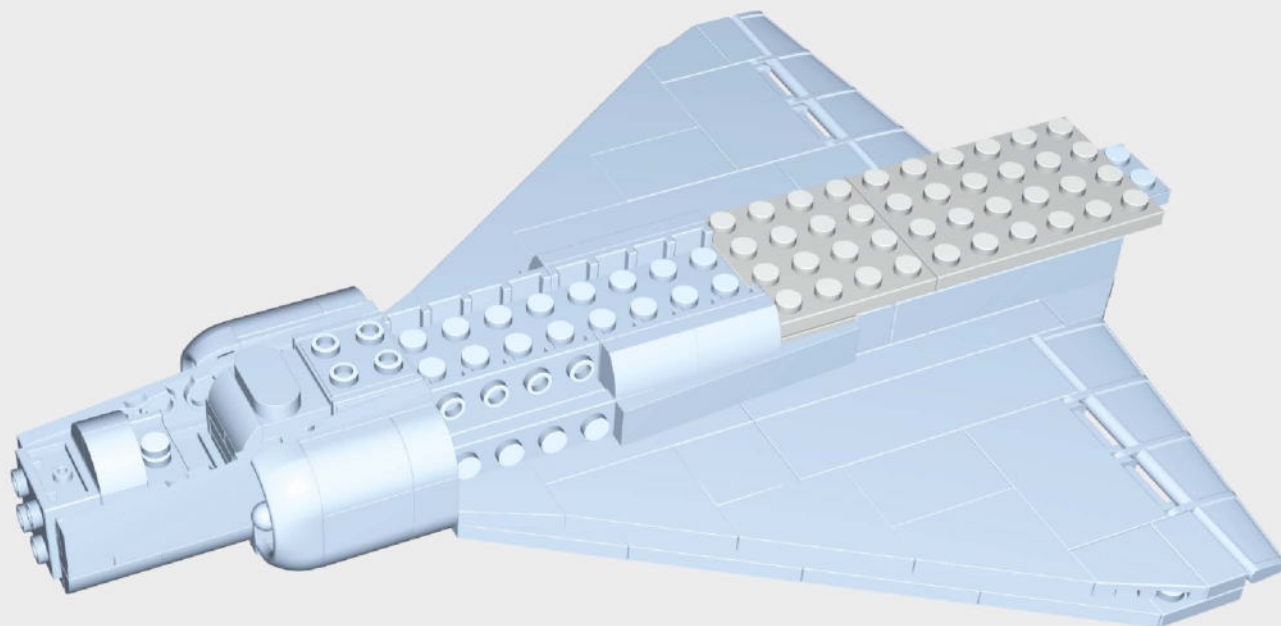


x2



x2

42



x2

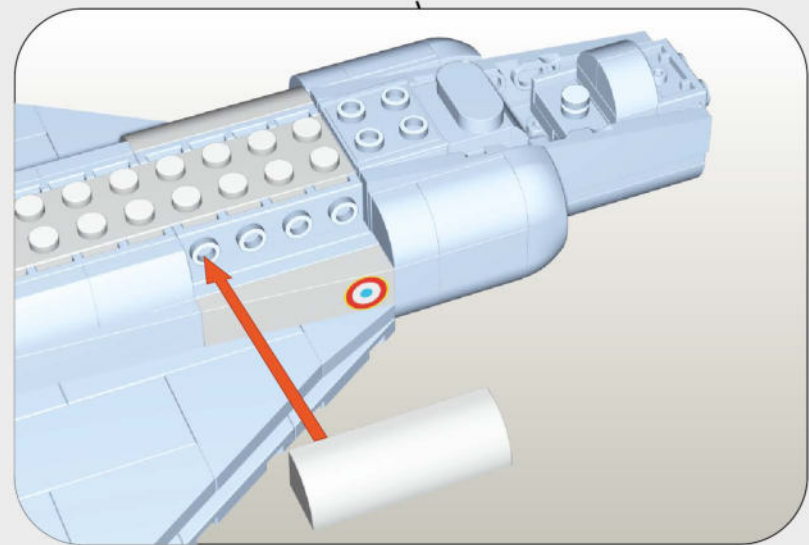
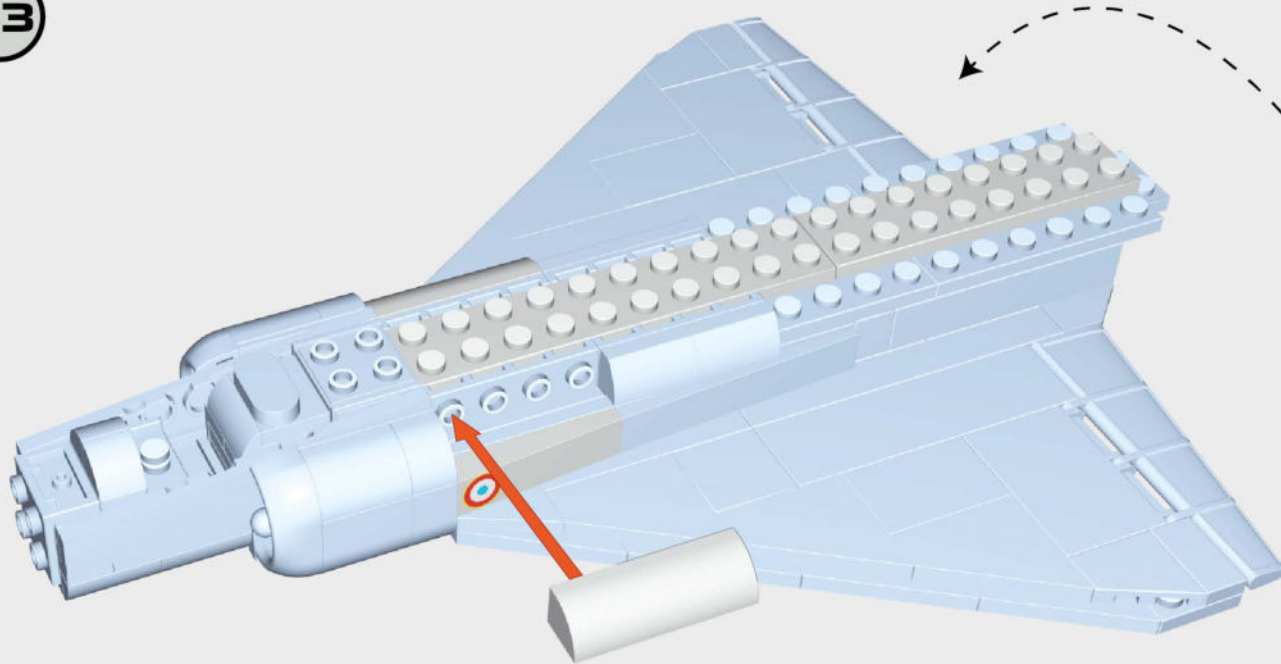


x1



x1

43



x1



x1

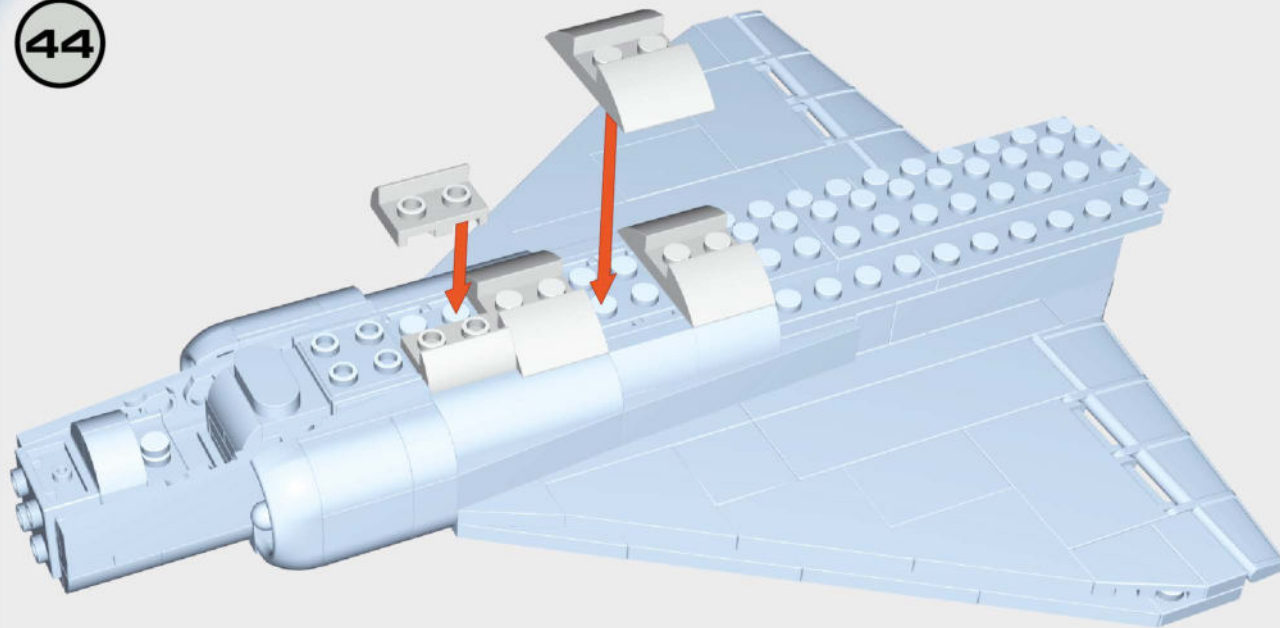


x2



x2

44

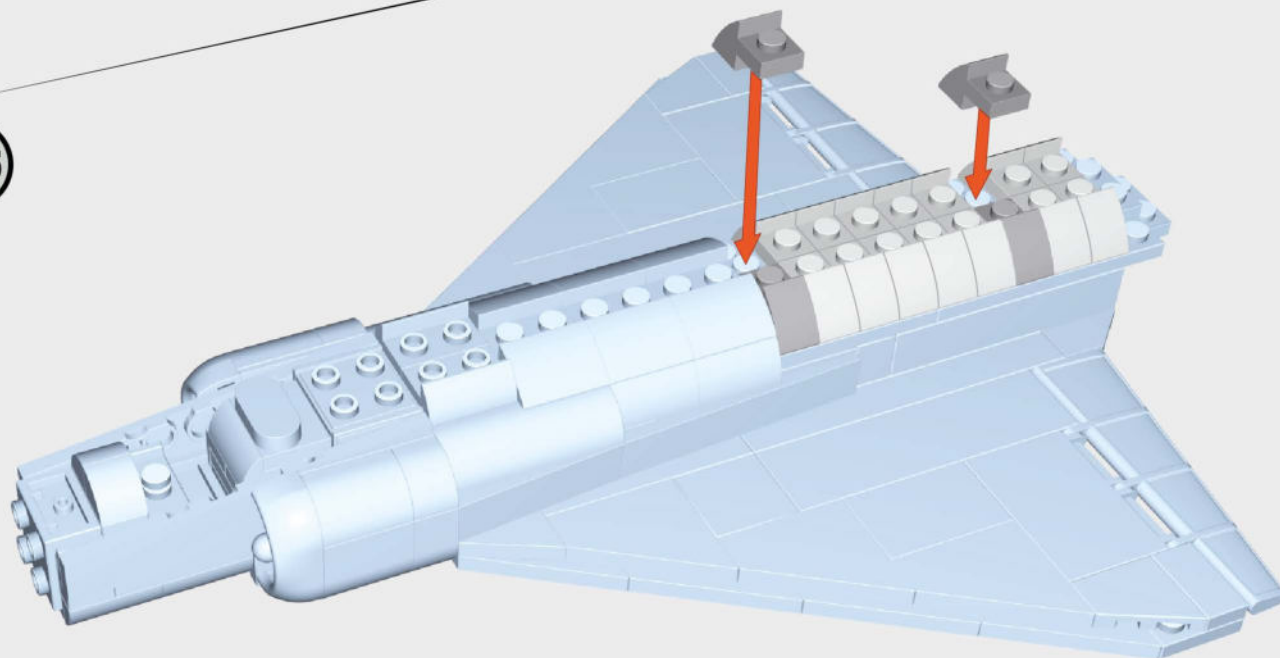


x2



x3

45

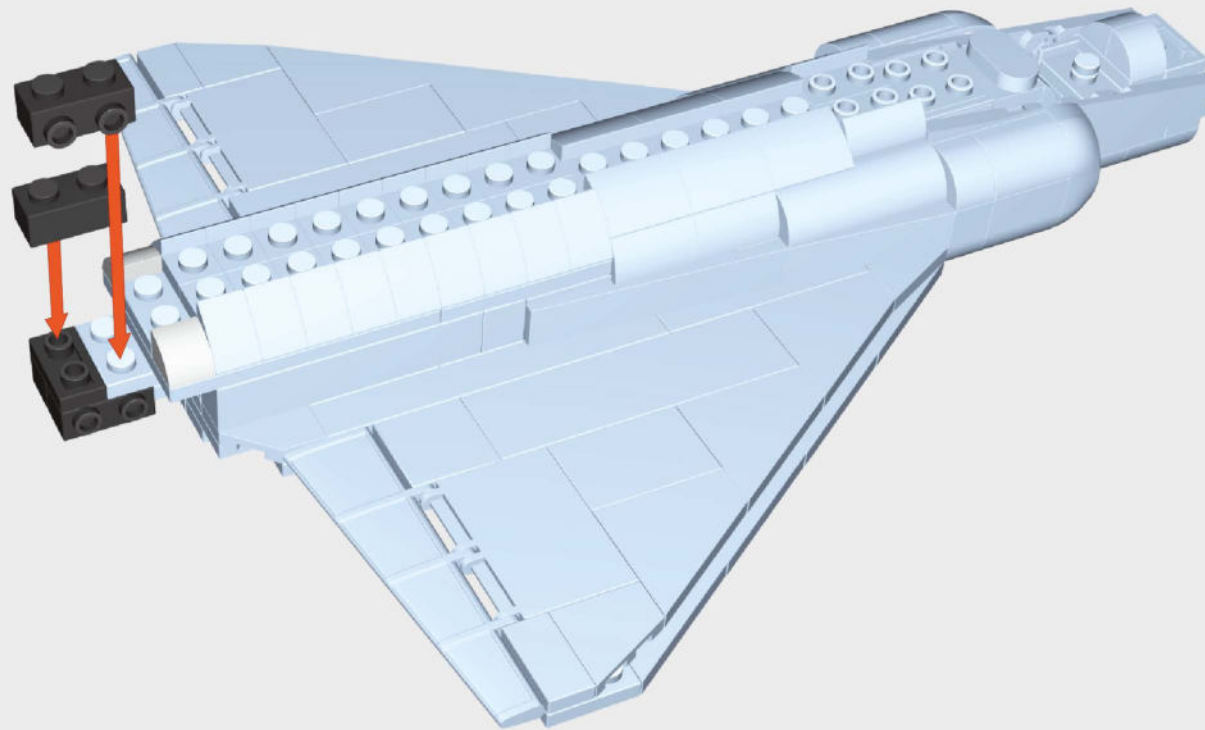


x14

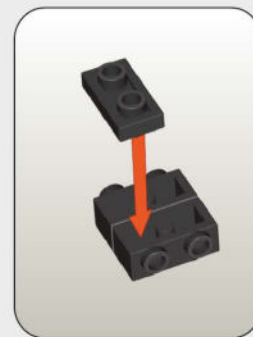


x4

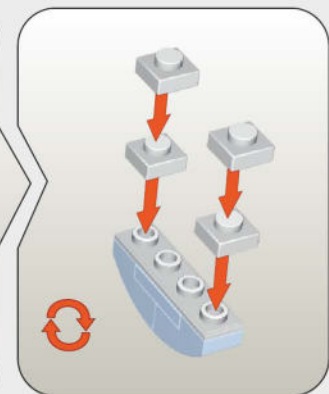
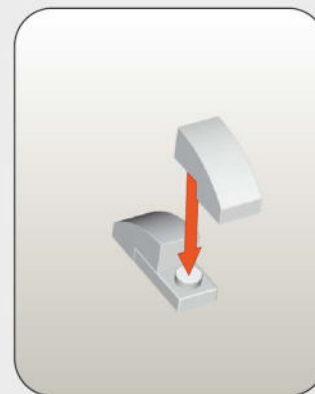
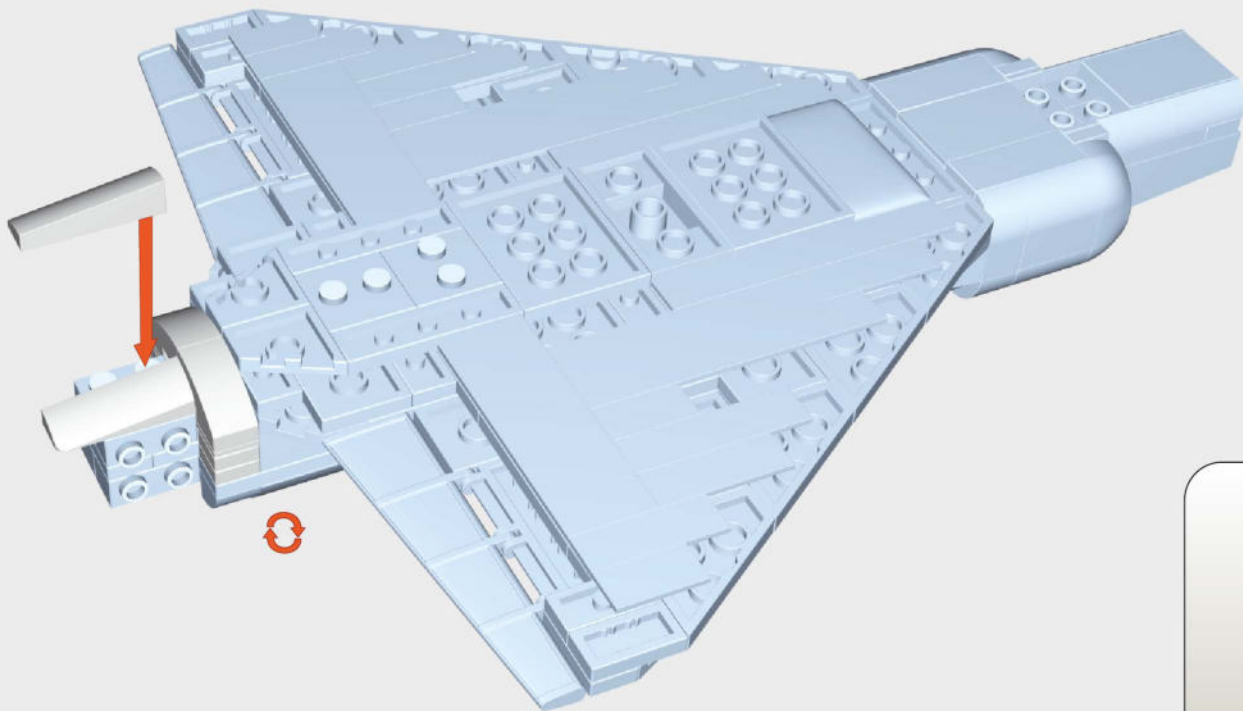
46



		
x2	x1	x4



47



x1



x2



x1



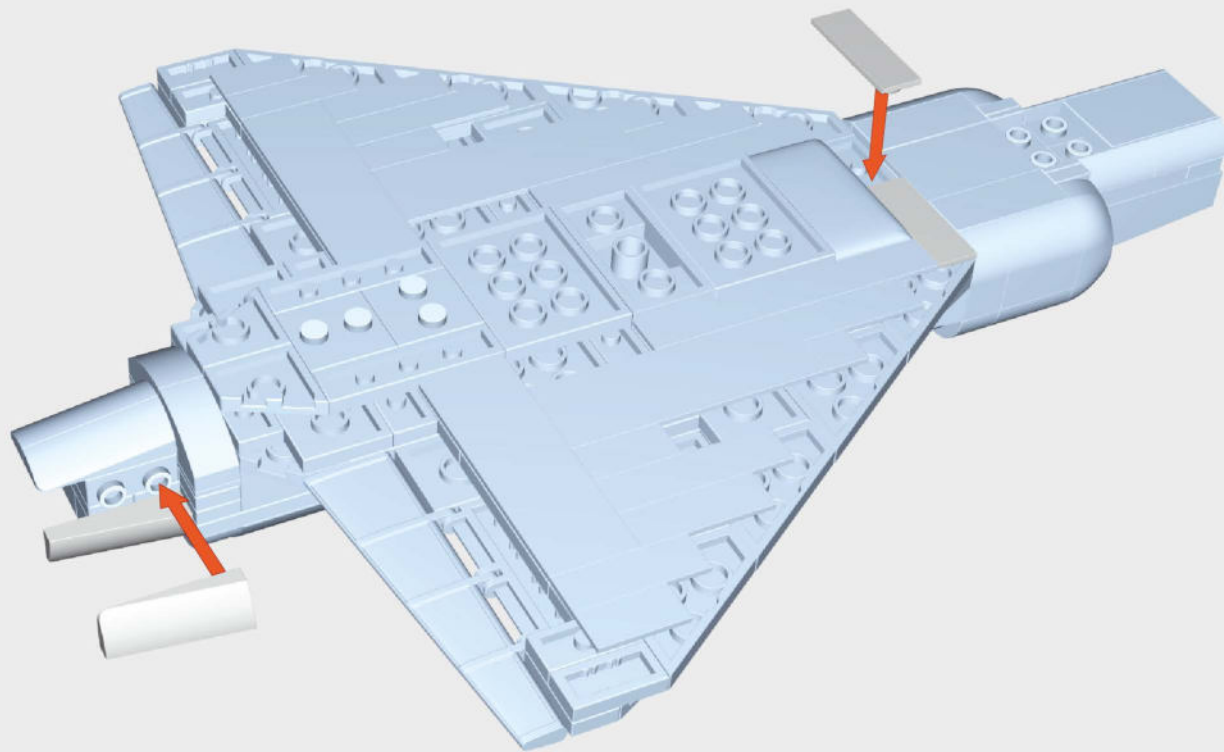
x4



x1



x1



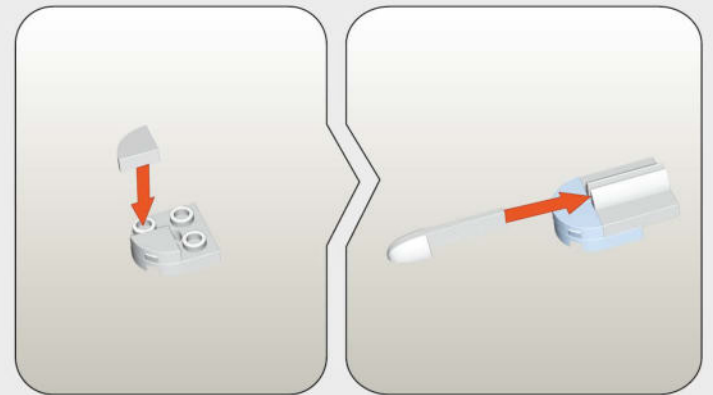
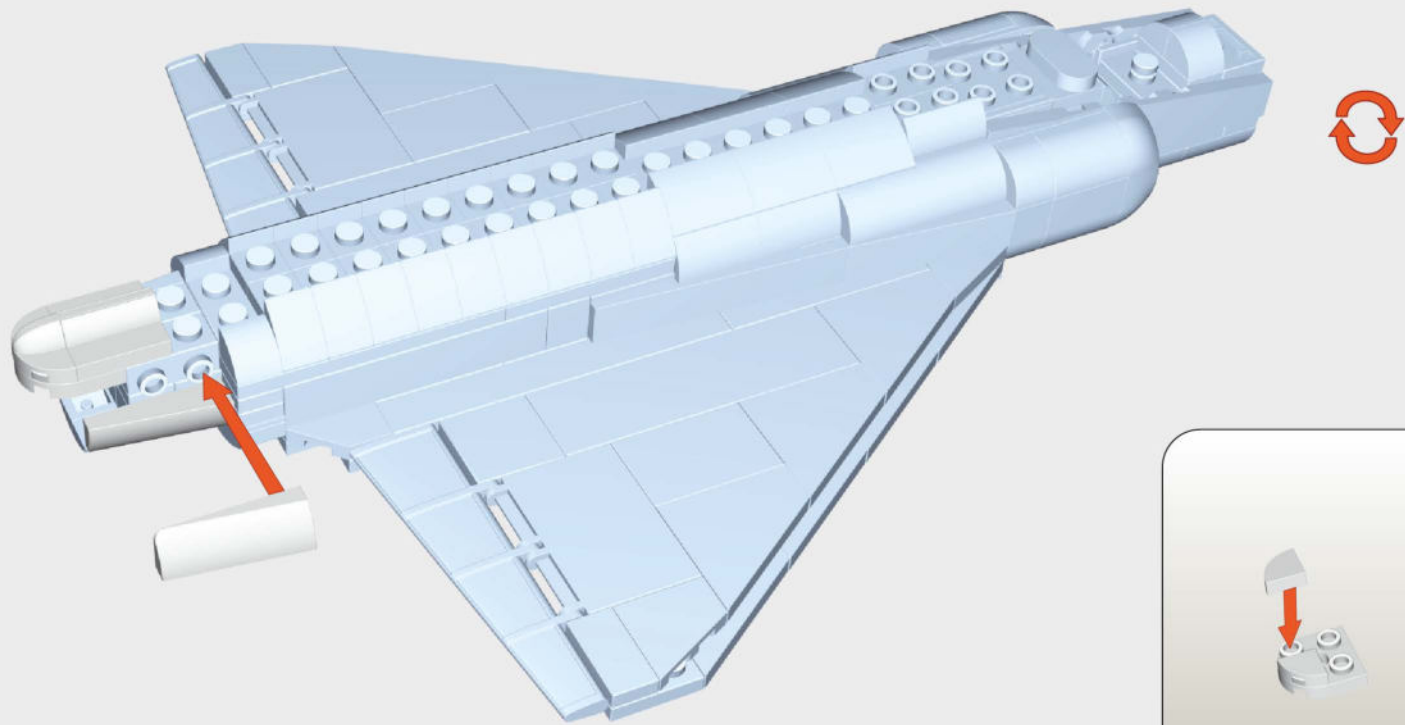
x1









x1

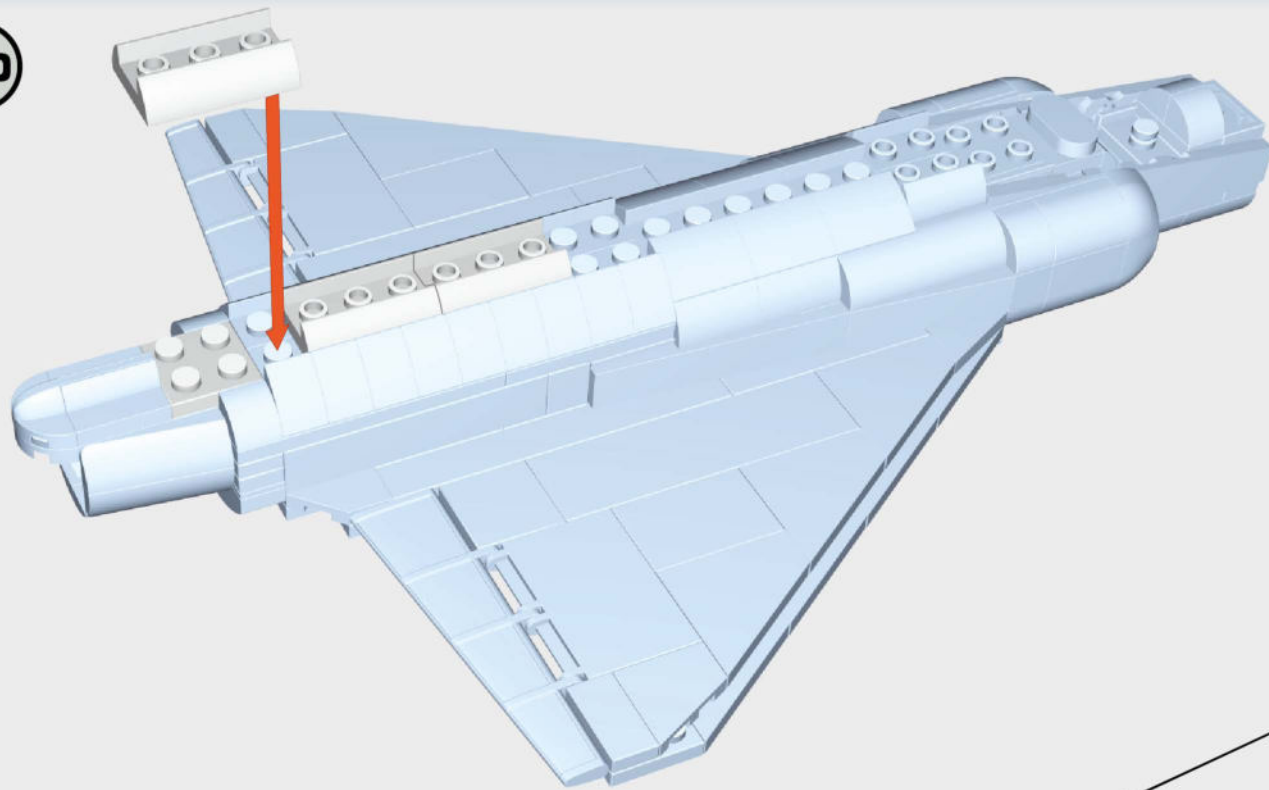


x2



-  x1
-  x2
-  x1
-  x1
-  x1
-  x1

50

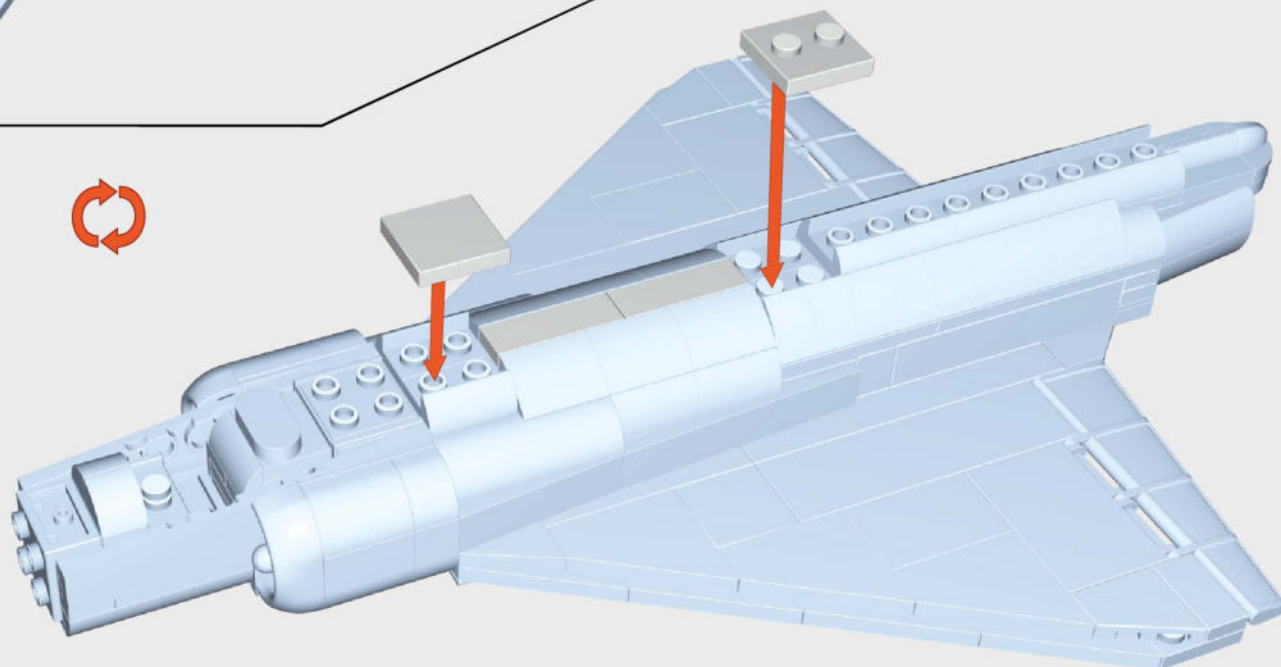


x1



x3

51



1:1



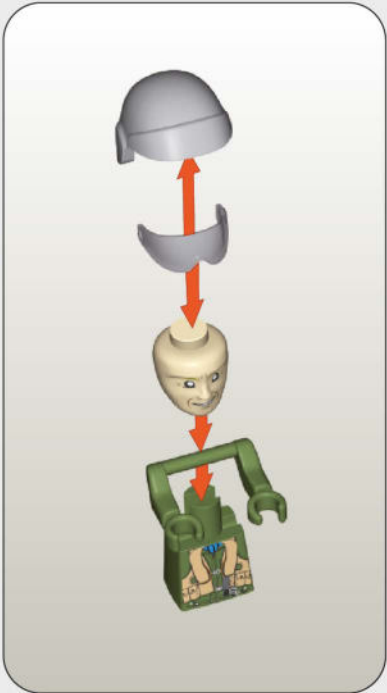
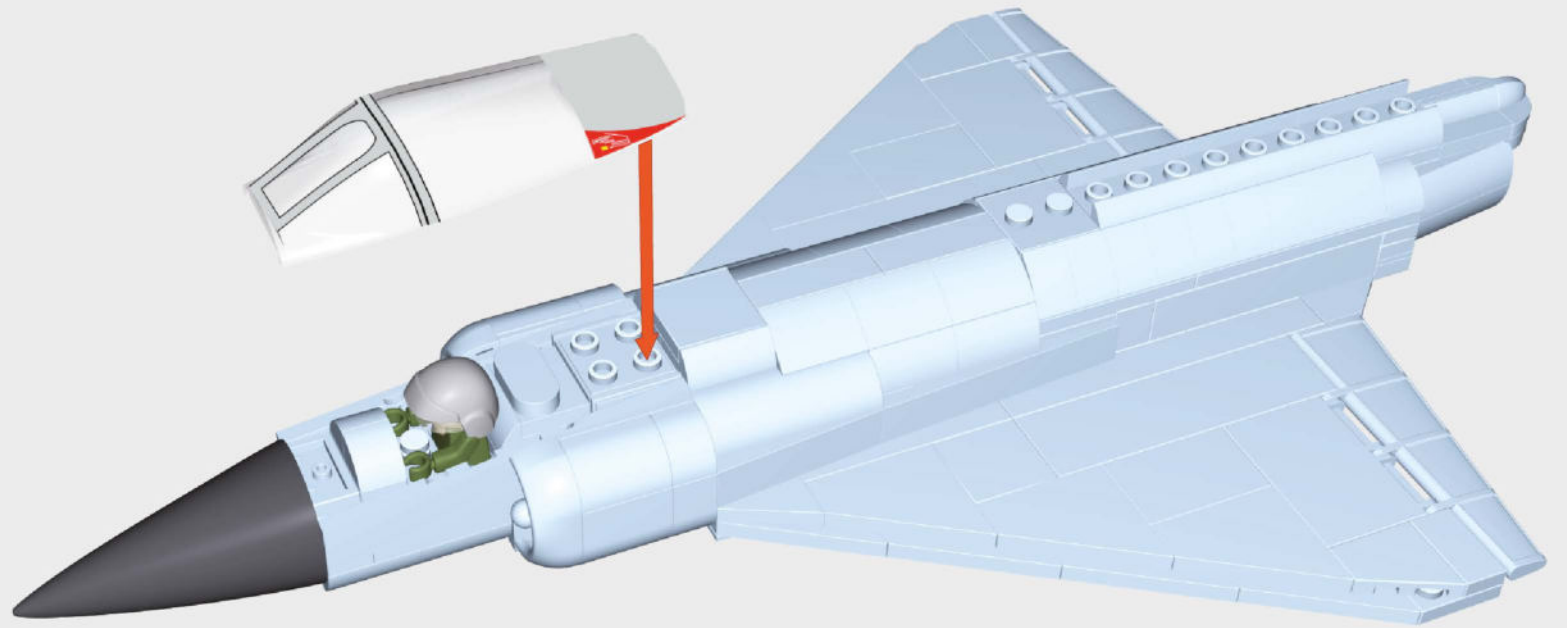
x2










x1

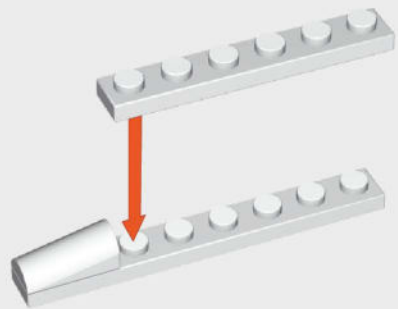


x1

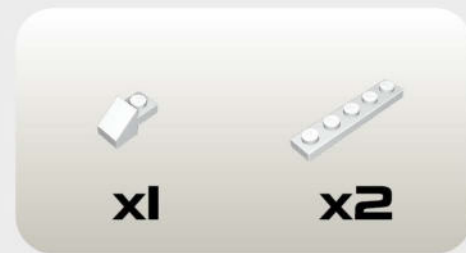
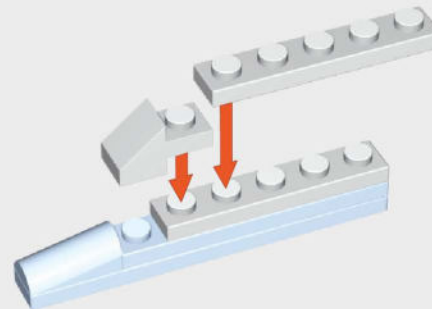


-  **x1**
-  **x1**
-  **x1**
-  **x1**
-  **x1**
-  **x1**
-  **x1**

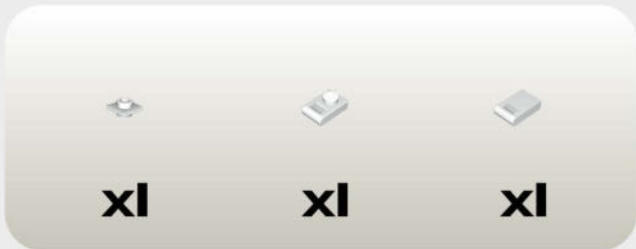
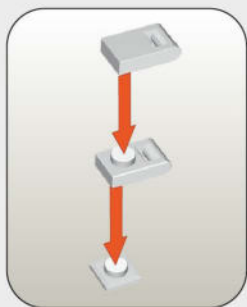
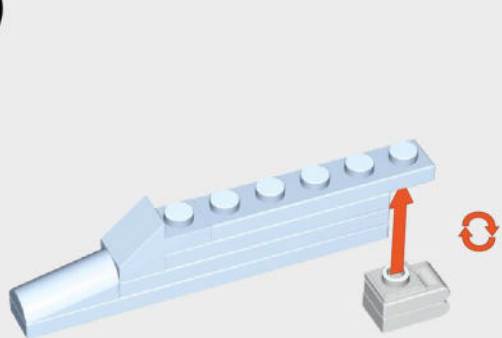
53



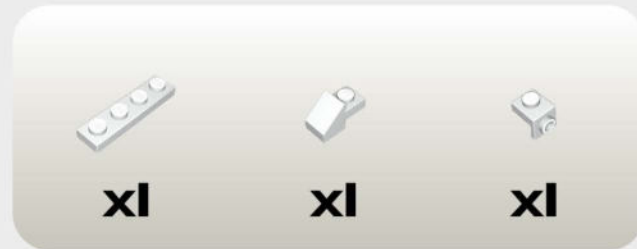
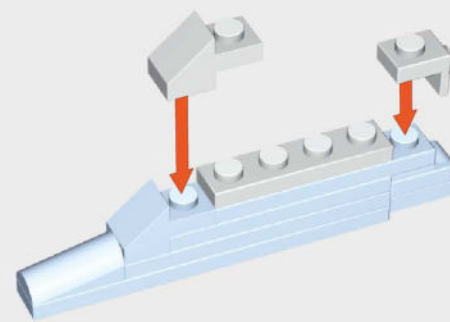
54



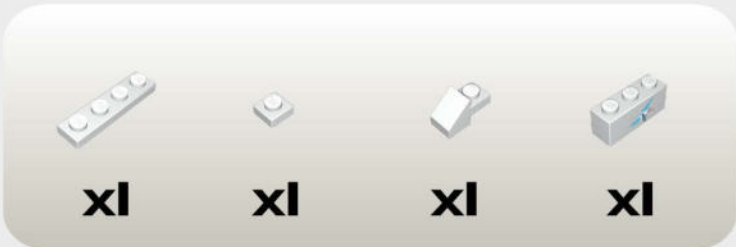
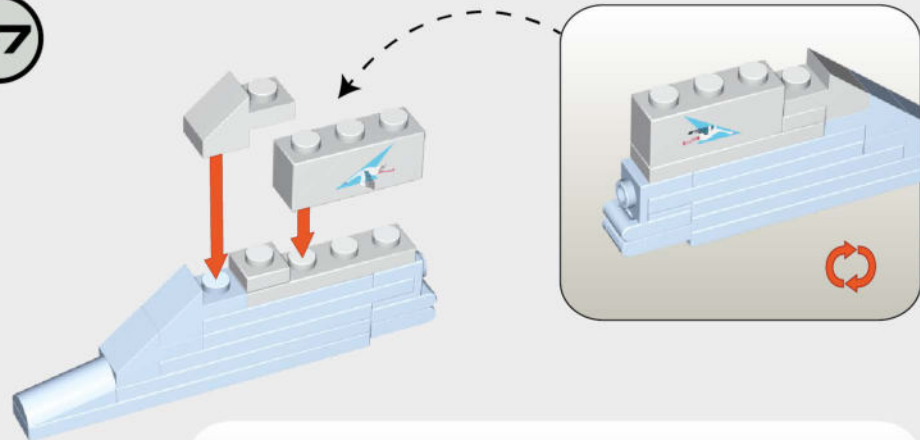
55



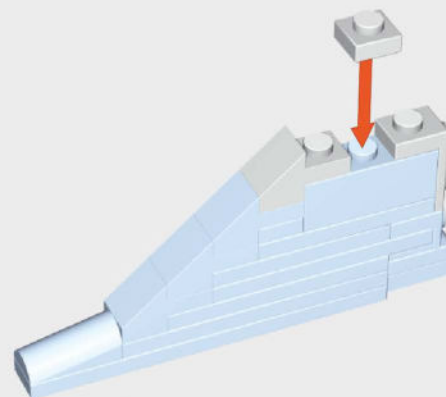
56



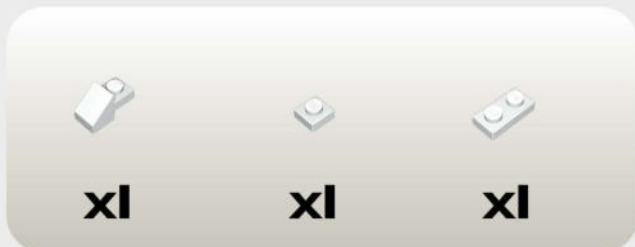
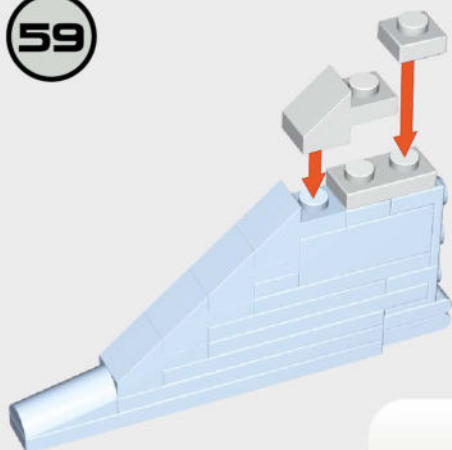
57



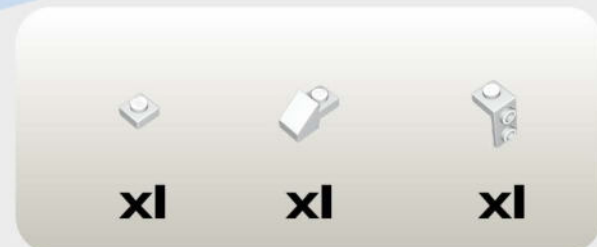
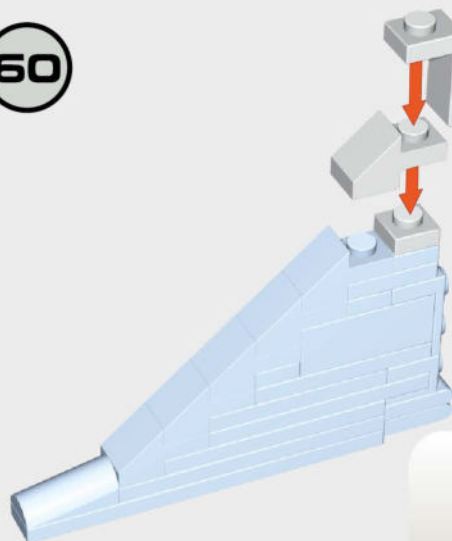
58



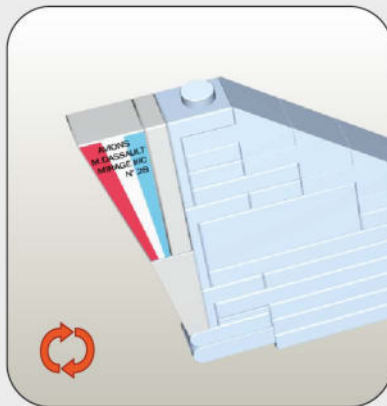
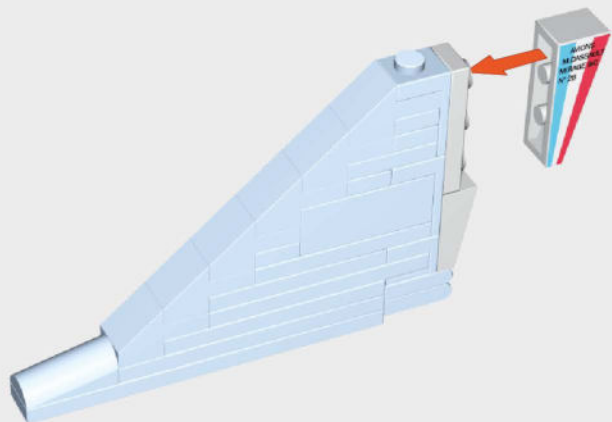
59



60



61



x1



x1



x1

62



x2



x2



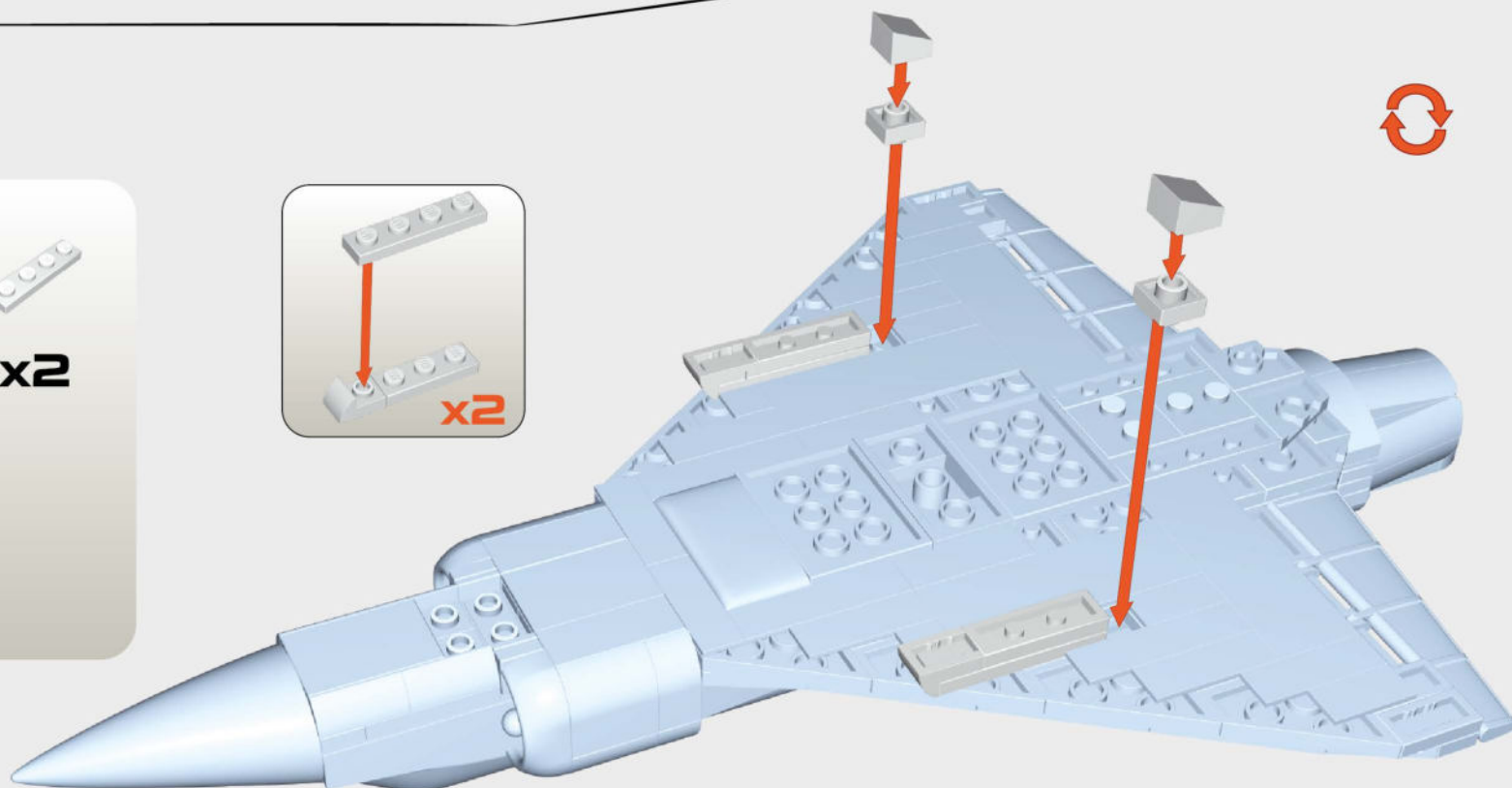
x2



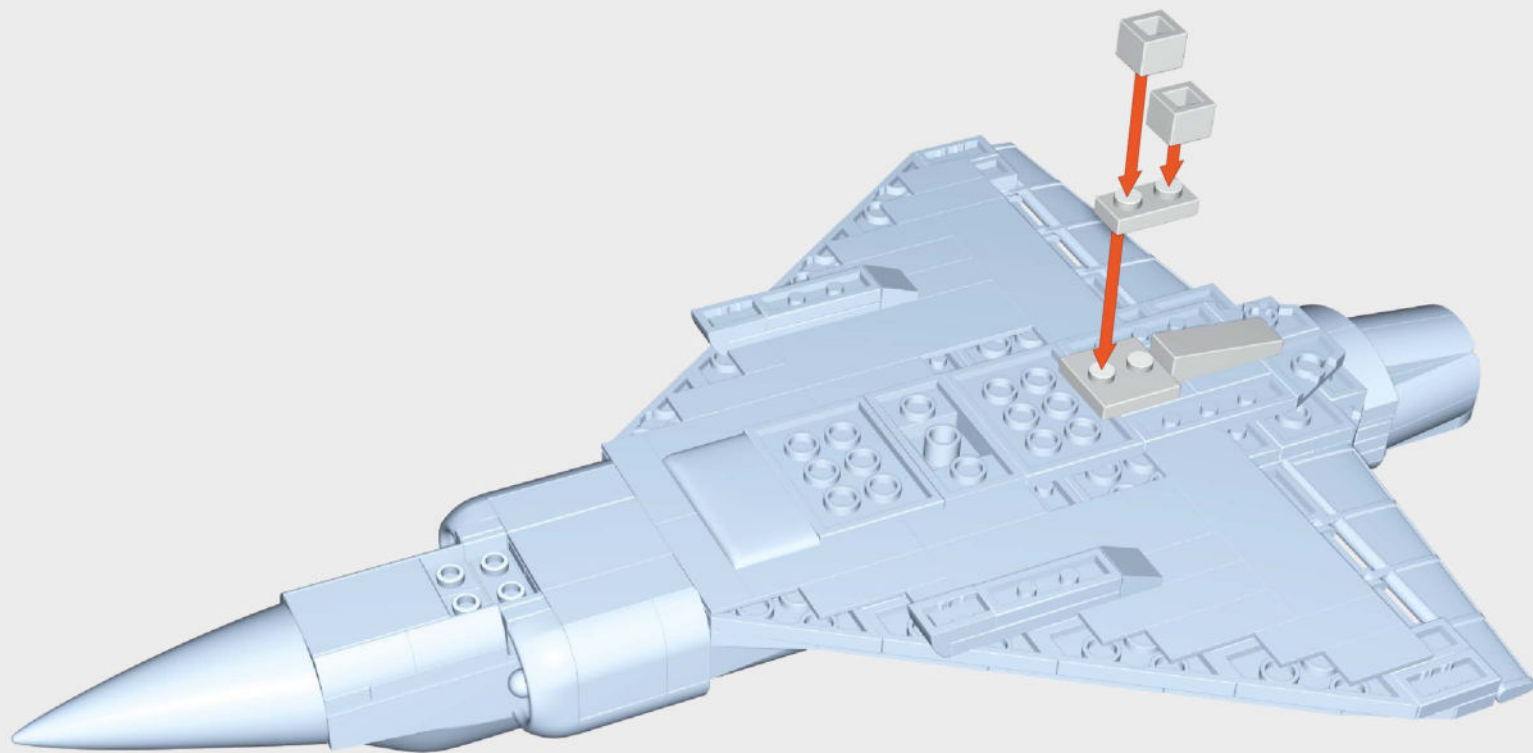
x2



x2



63



x1



x1

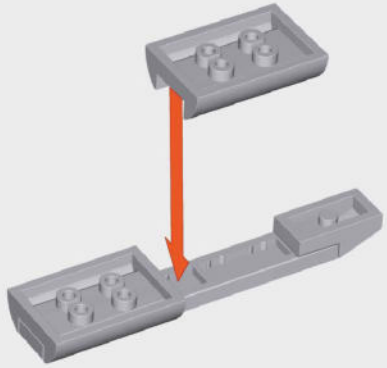


x1



x2

64 - 70 x2



1:1



x1

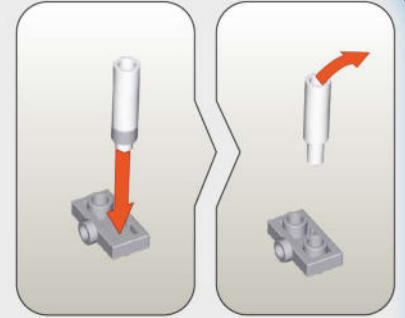


x1



x2

65



x1



x2

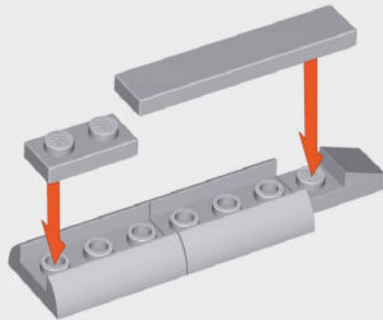


x2



x1

66



1:1



x1



x2

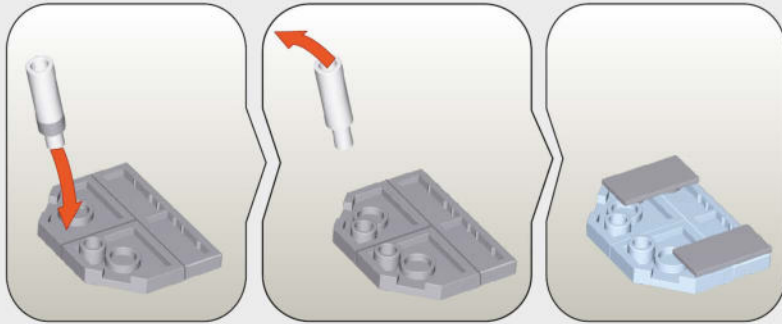


x1

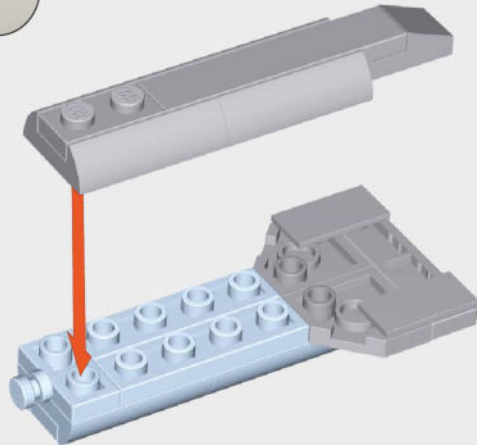
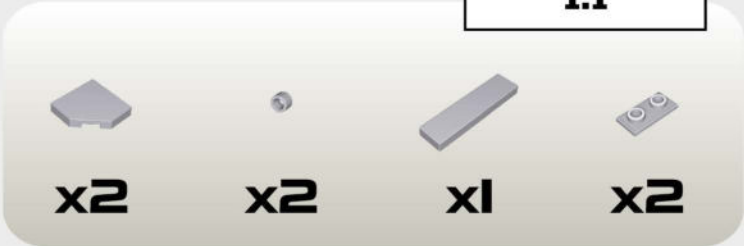


x1

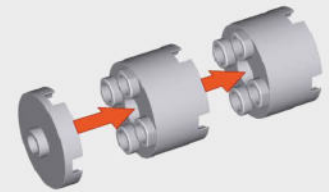
67



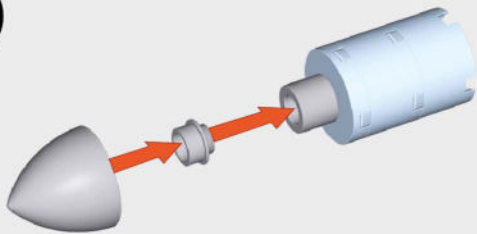
1:1



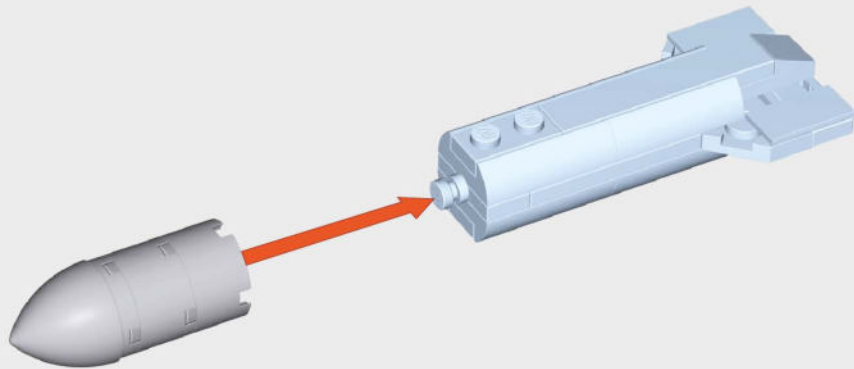
68



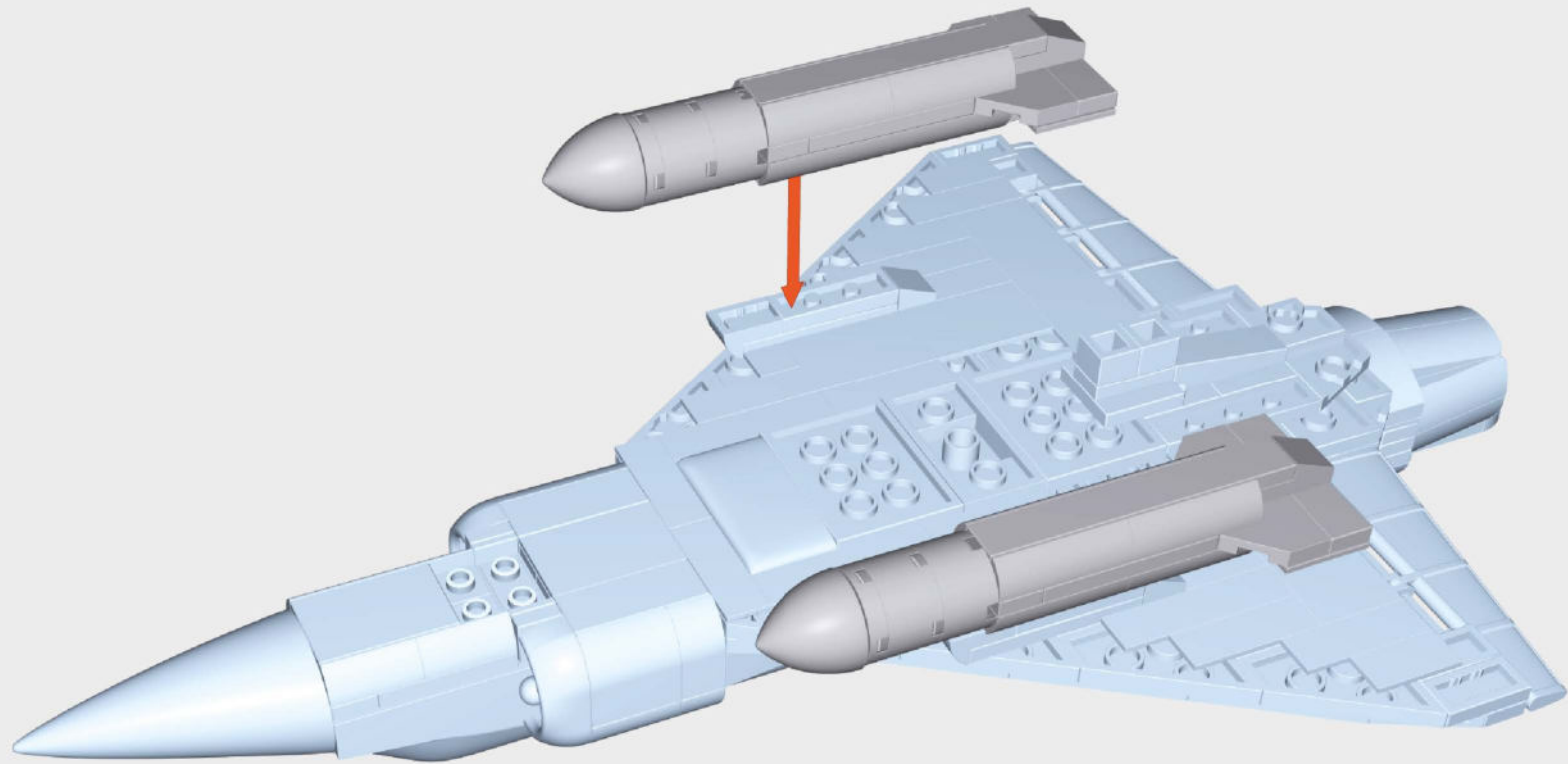
69



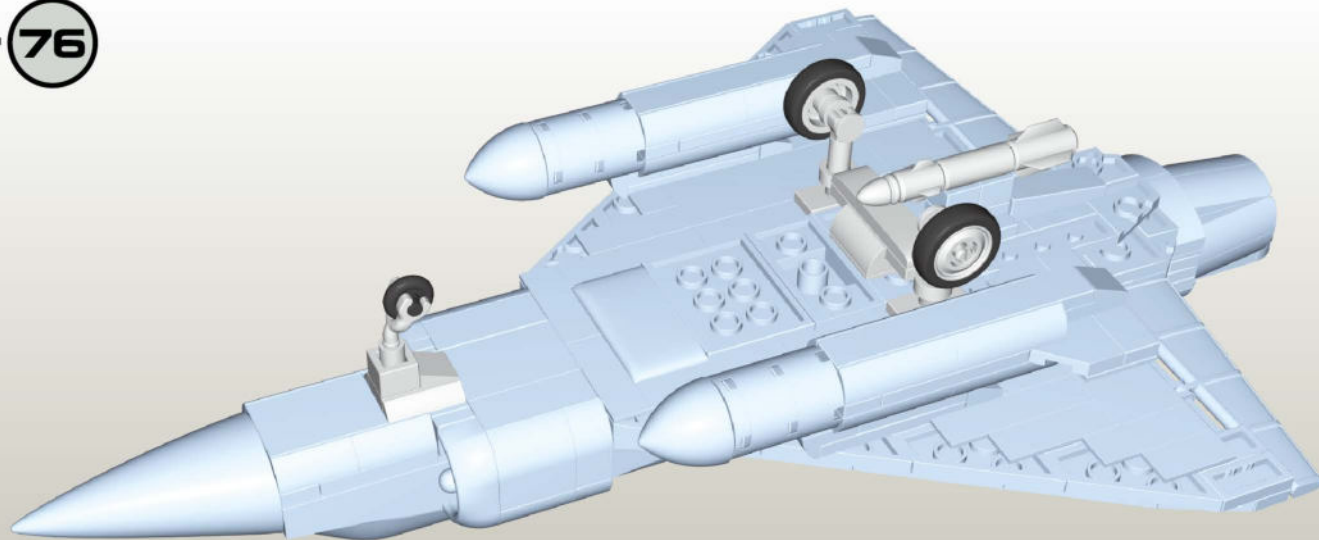
70



71



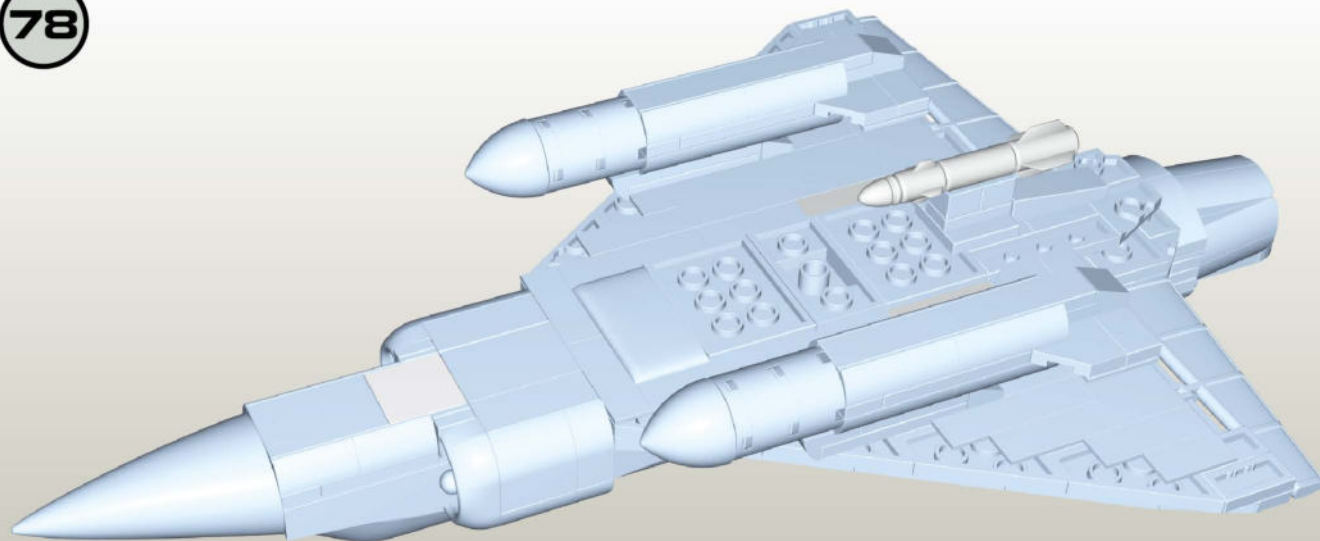
72-76



A

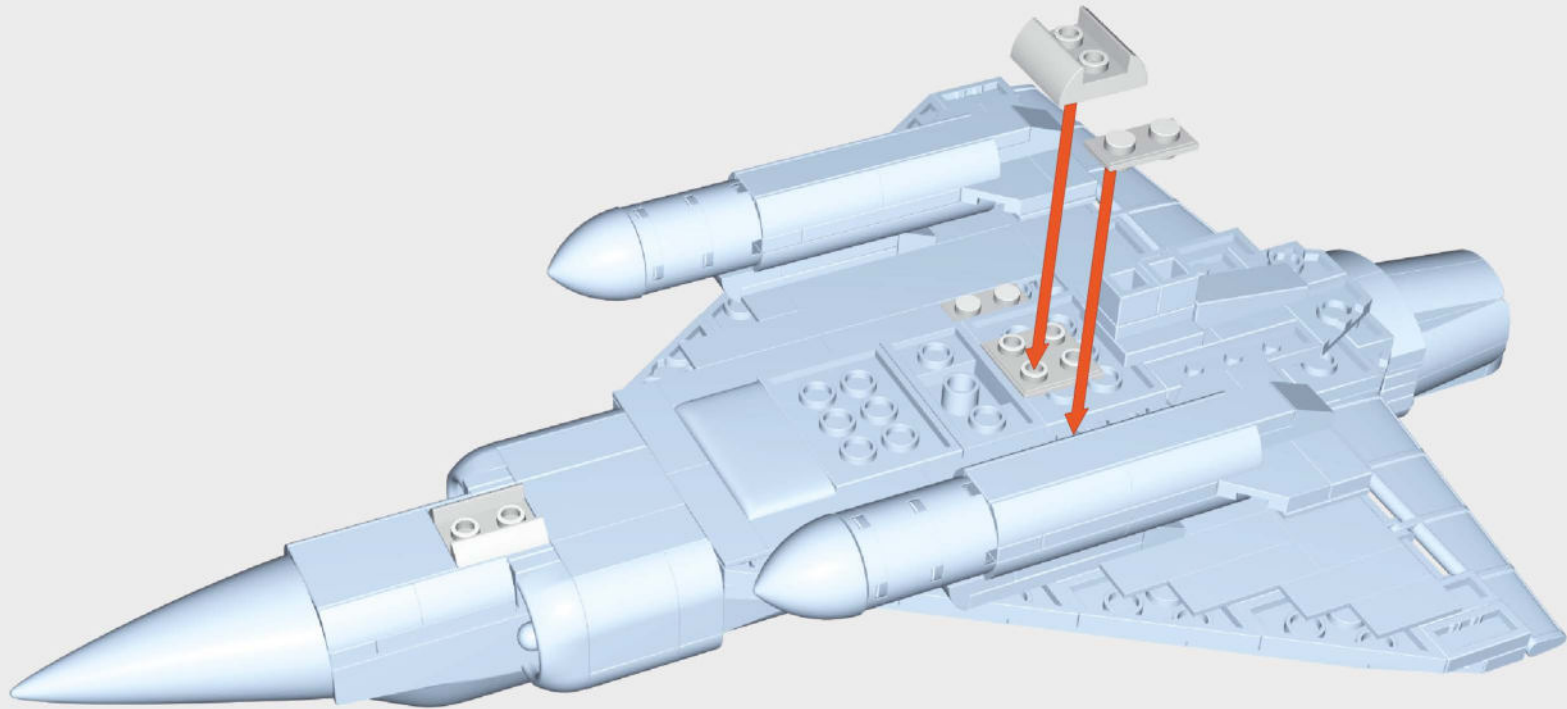


77-78



B

72 - A



x1

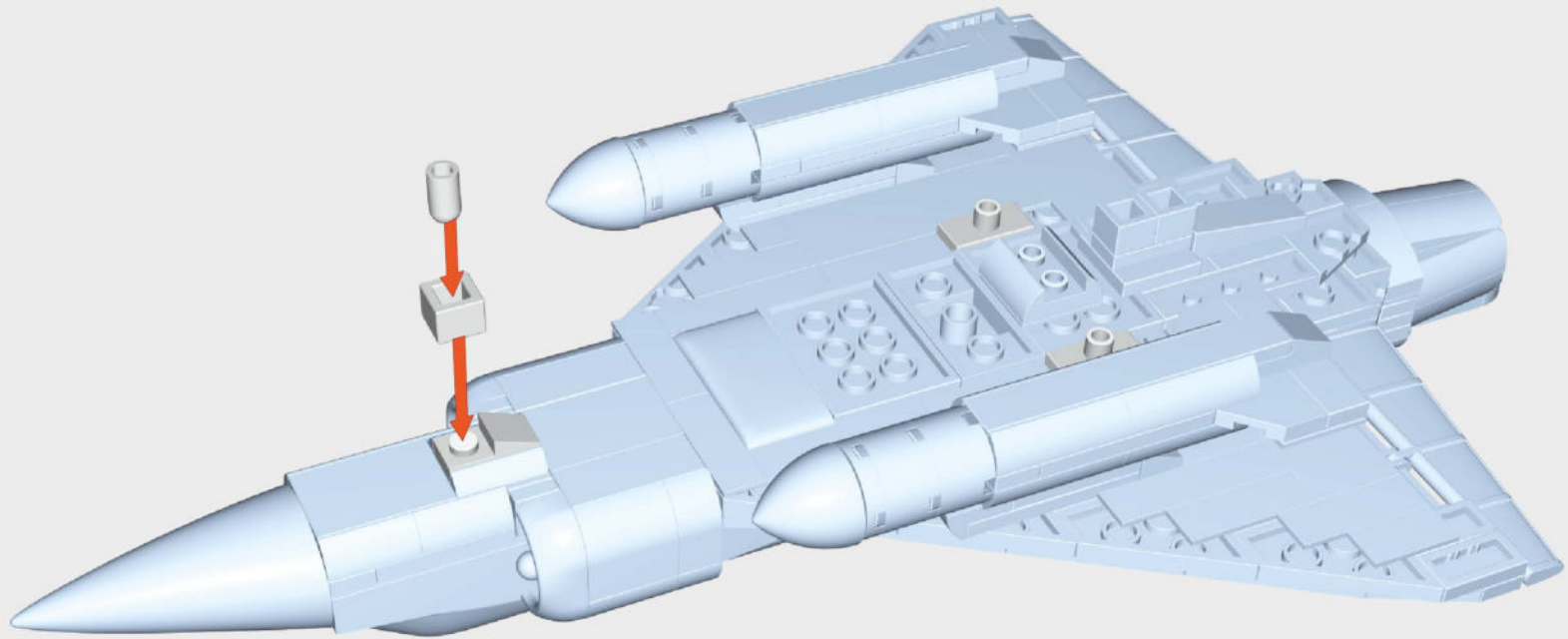


x2



x2

73



x2



x1

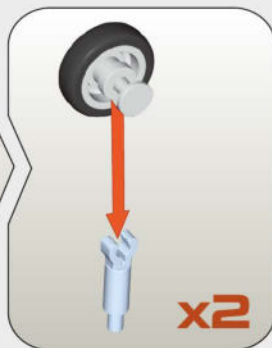
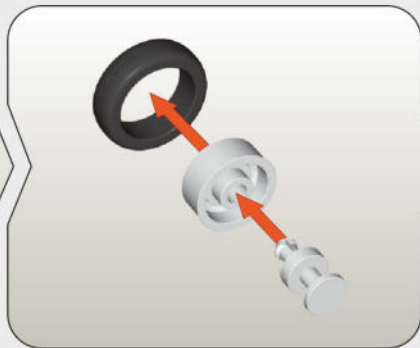
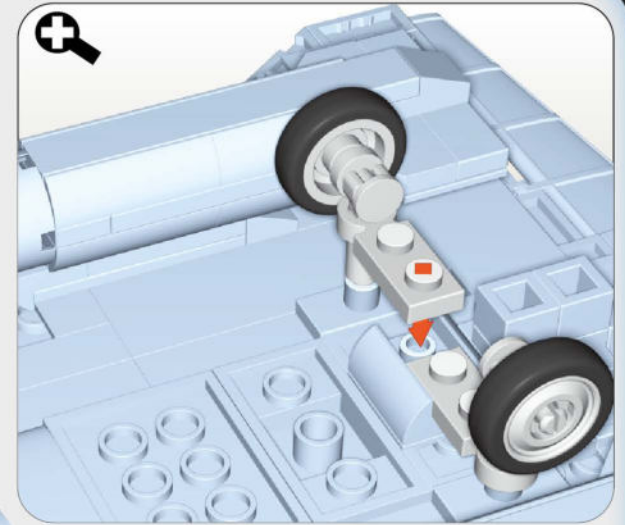
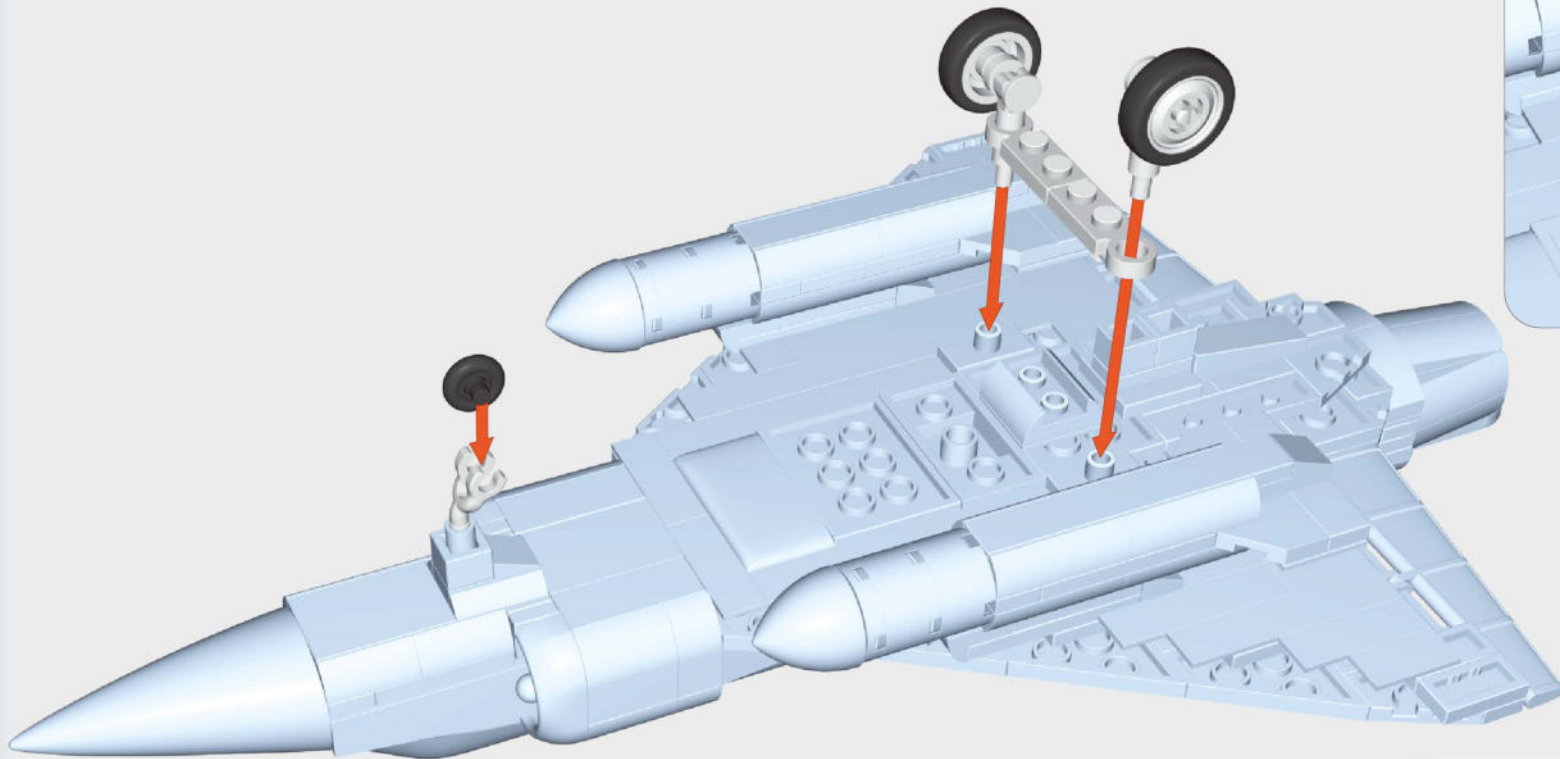


x1



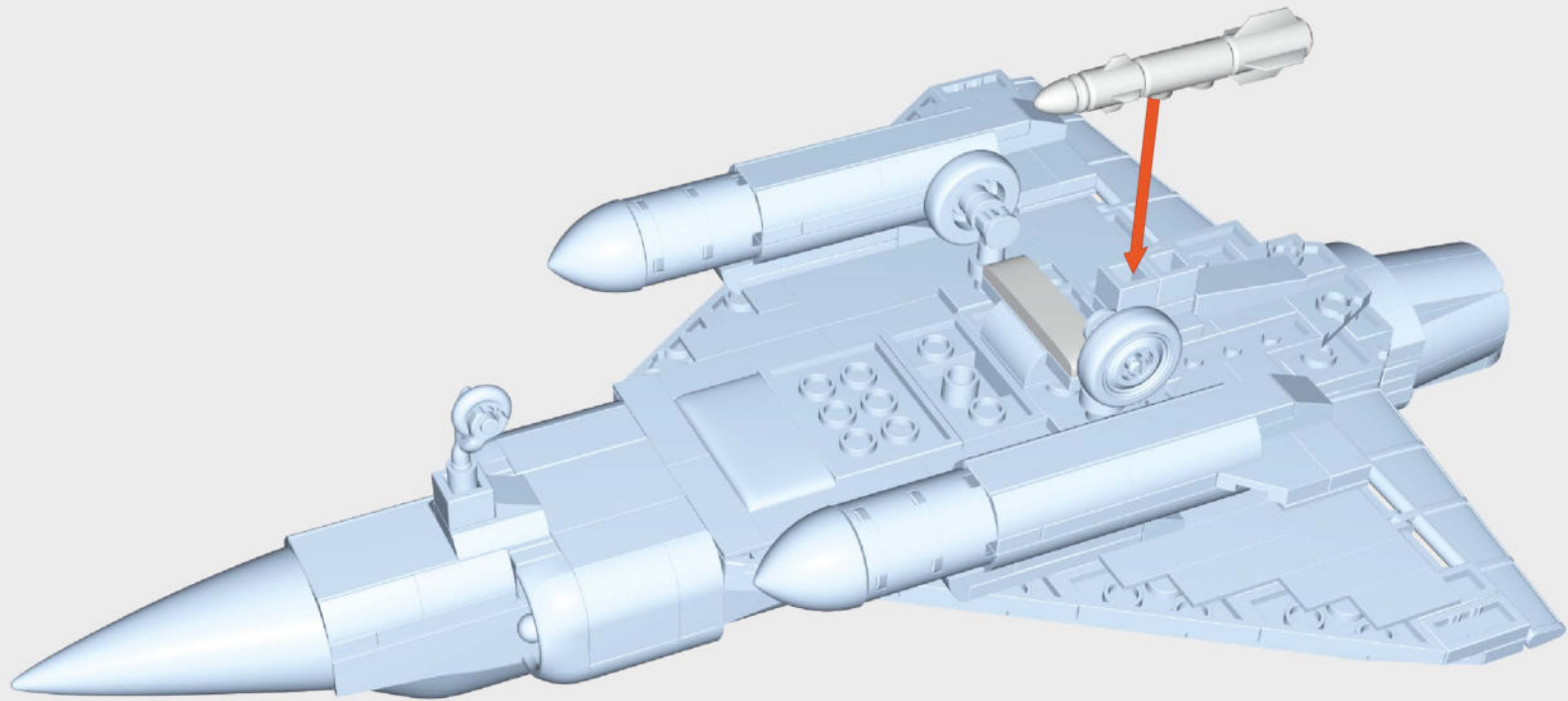
x1

74



x2	x2	x2	x2
x1	x1	x2	x2

75

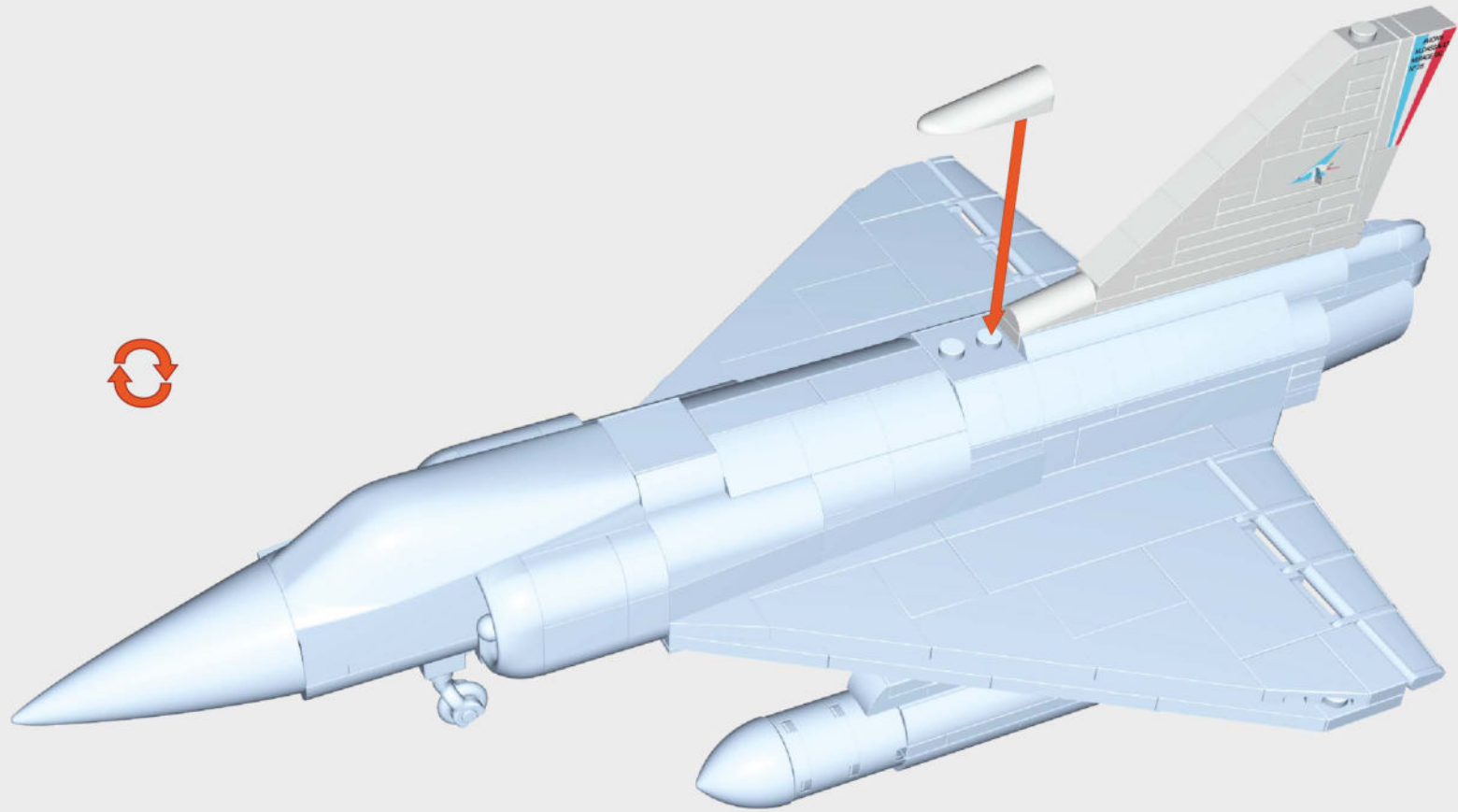


x1

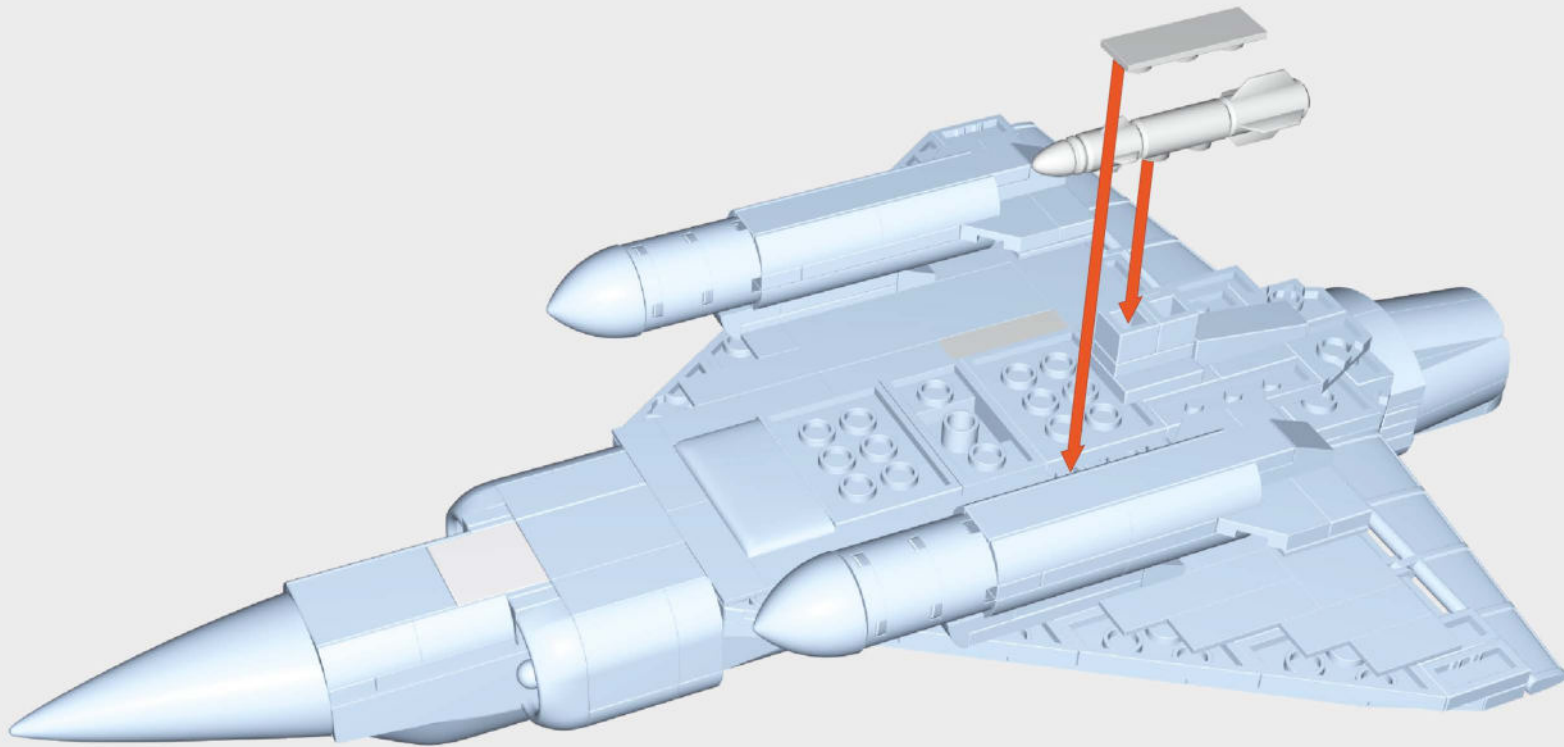


x1

76



77 - B



x1

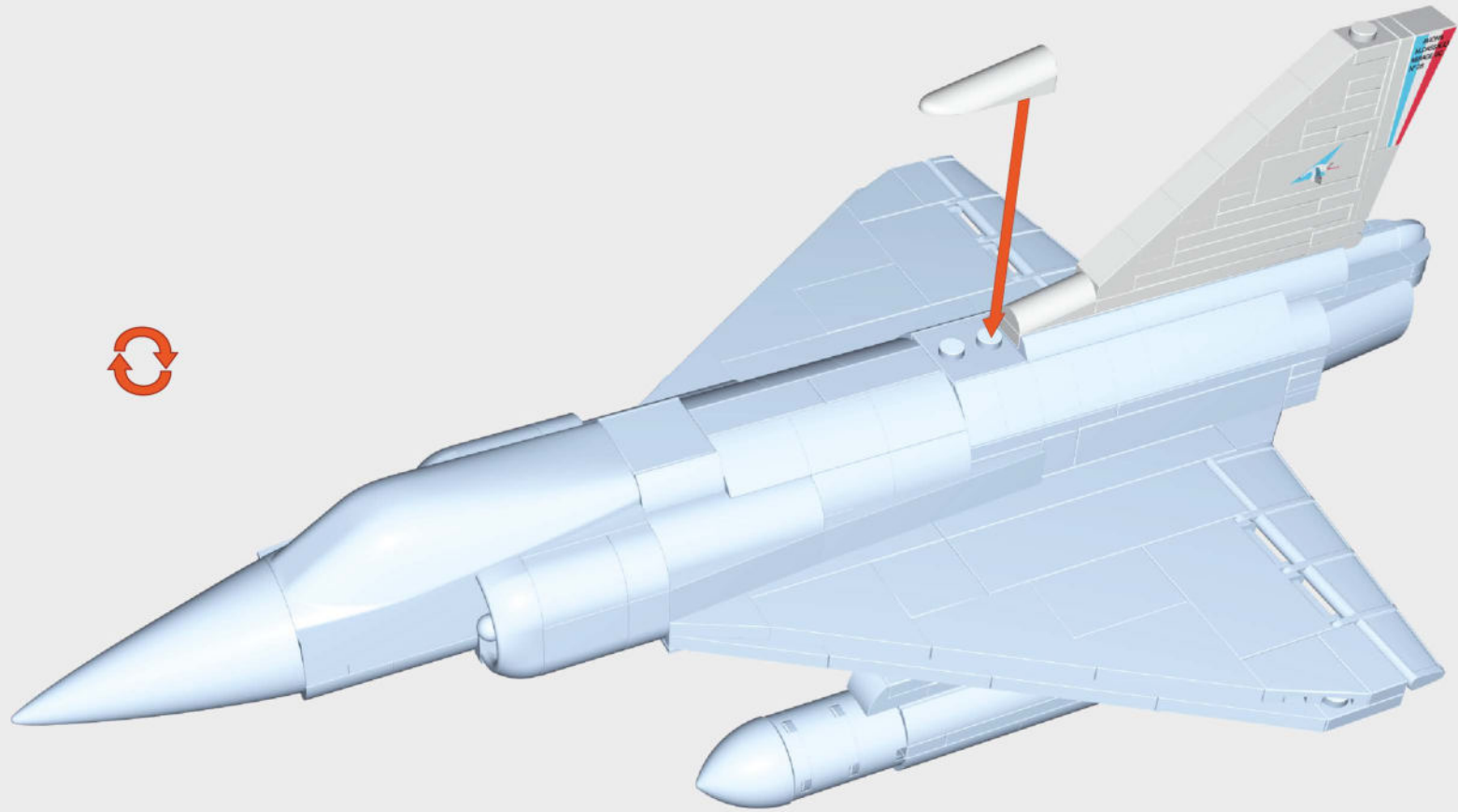


x2



x1

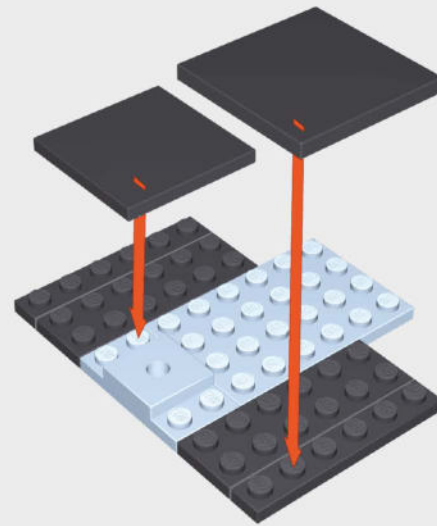
78



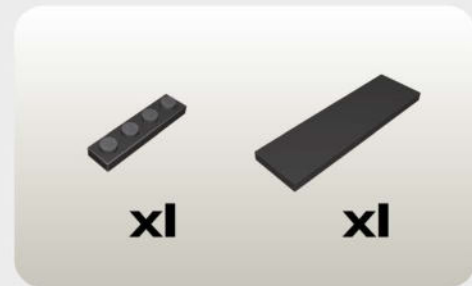
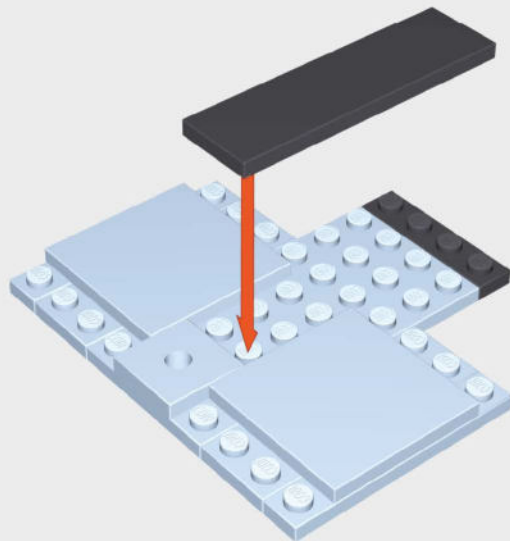
79



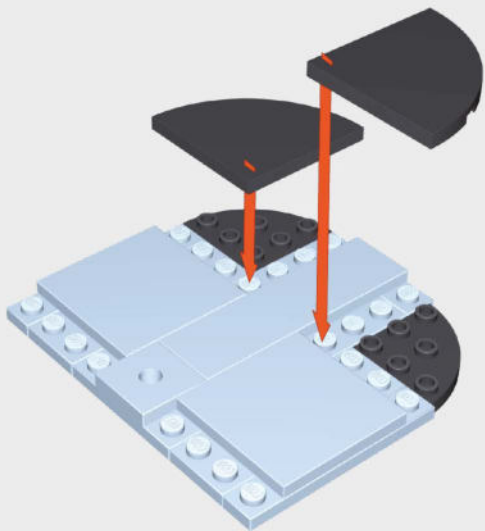
80



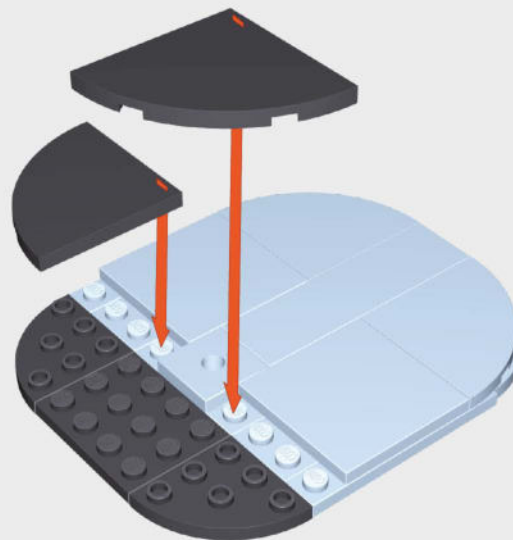
81



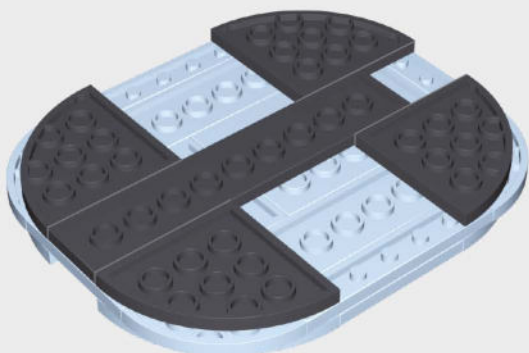
82



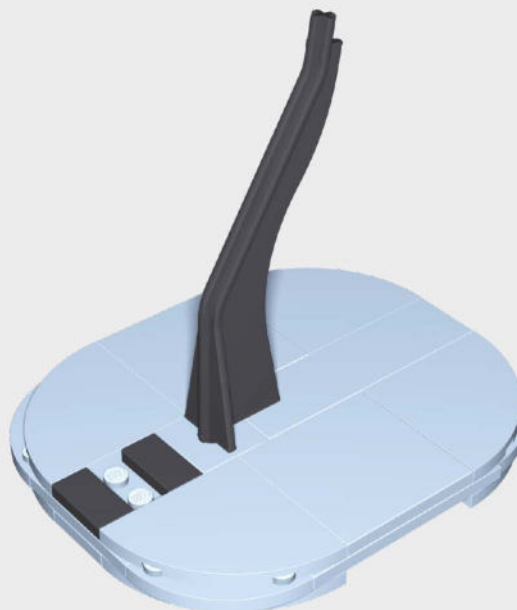
83



84



85



1:1



86 - B



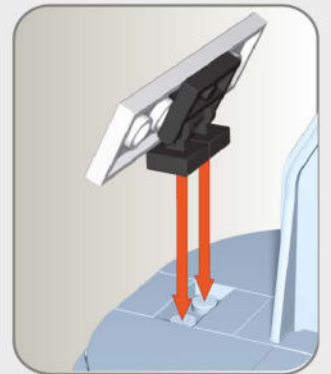
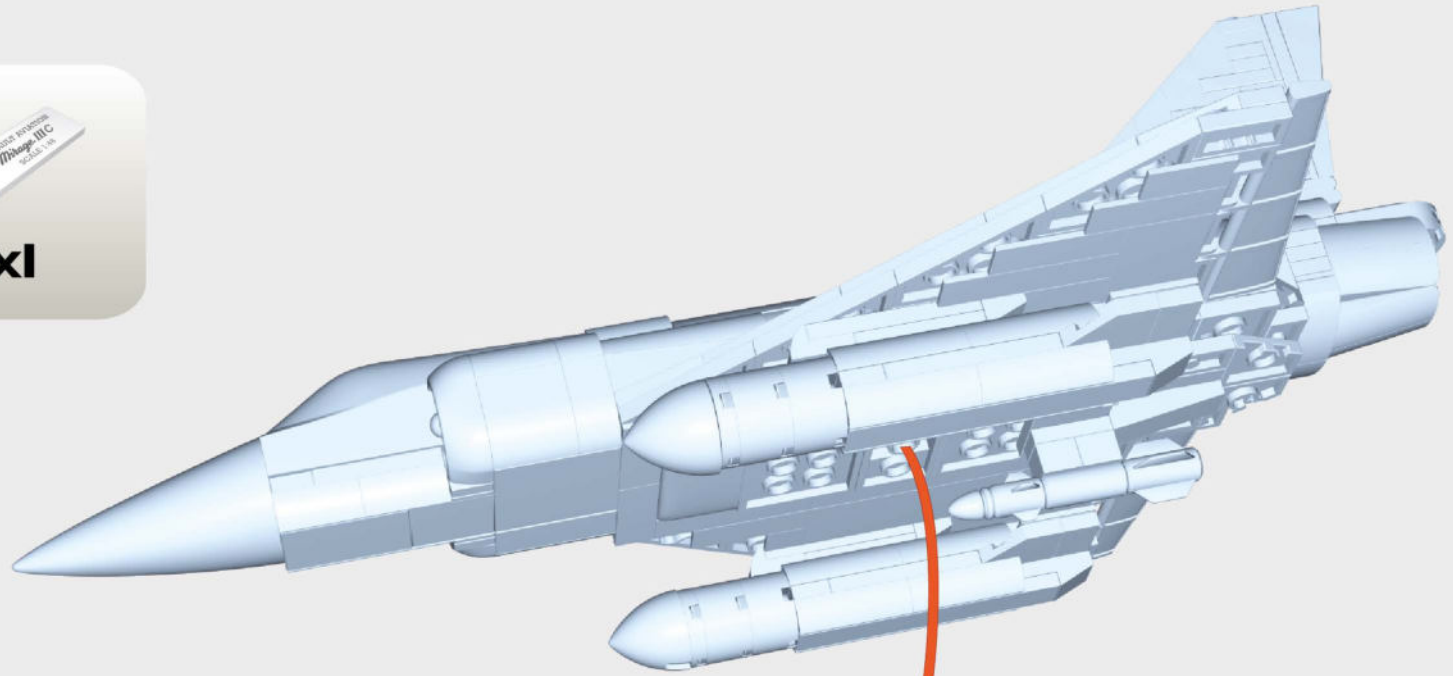
x2

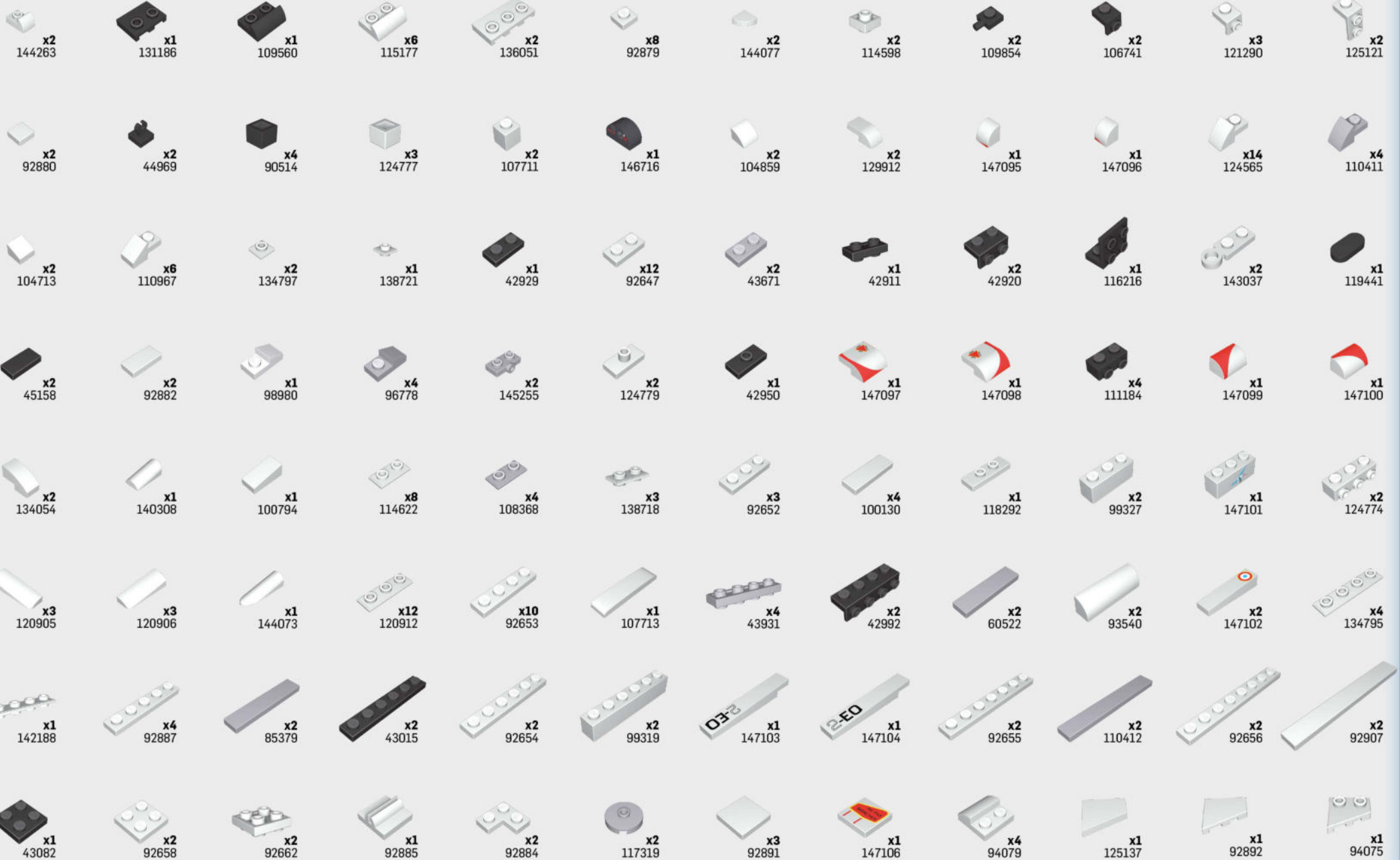


x1



x1









Produced under license from Boeing. Boeing and F/A-18 Hornet are trademarks of The Boeing Company.



F/A-18C HORNET™
5810



MIG-29 NATO "FULCRUM"
5834



MIRAGE III C
5818



MIRAGE III S SWISS AIR FORCE
5827



WWW.COBI.EU

For news and special deals

20-05826-435

Find us on:
f cobricks
cobi.klocki
COBI SA